

TABLE LAMP

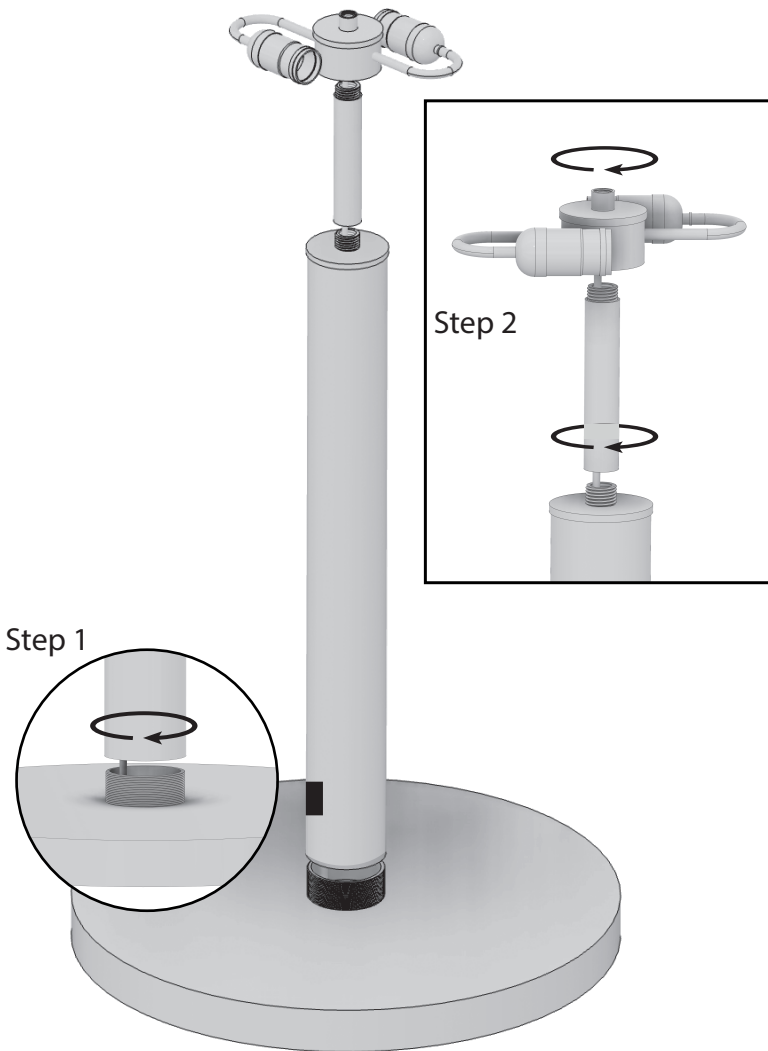
Assembly Instructions



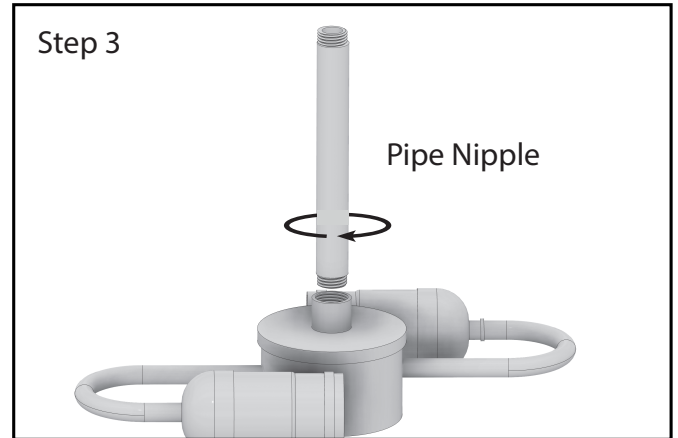
CAUTION

• Inspect the wire insulation for any cuts, abrasions, or exposed copper that may have resulted during shipping. If there is a defect in the wire, do not attempt installation.

• Before starting installation of this fixture or removal of a previous fixture, disconnect the power by turning of the circuit breaker or by removing the fuse at the fuse box.



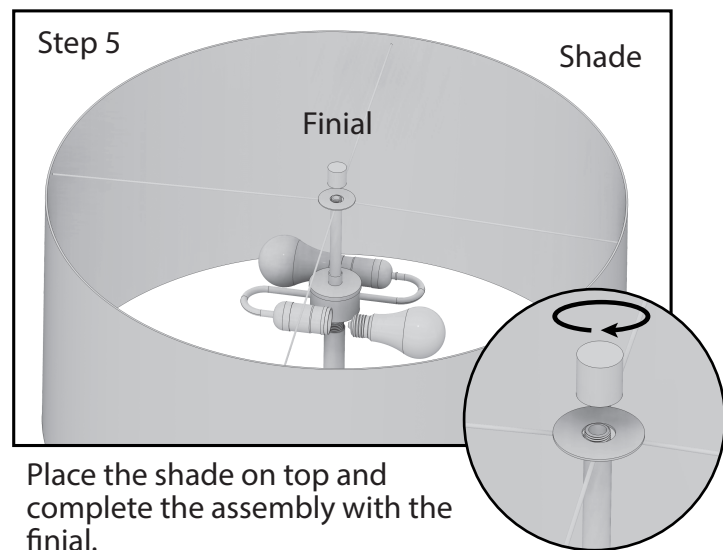
Assemble the fixture by screwing the parts together until it is secure taking care not to over tighten or to tangle or twist the branch wires.



Attach the Pipe Nipple onto the fixture.



Install 2 bulbs (not included). E26 TYPE A 60 Watt or less watt.



Place the shade on top and complete the assembly with the finial.