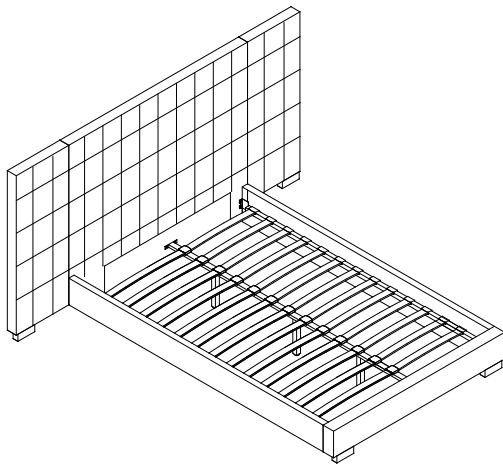










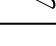
UEEN BED

Before you start, here are some helpful advice:

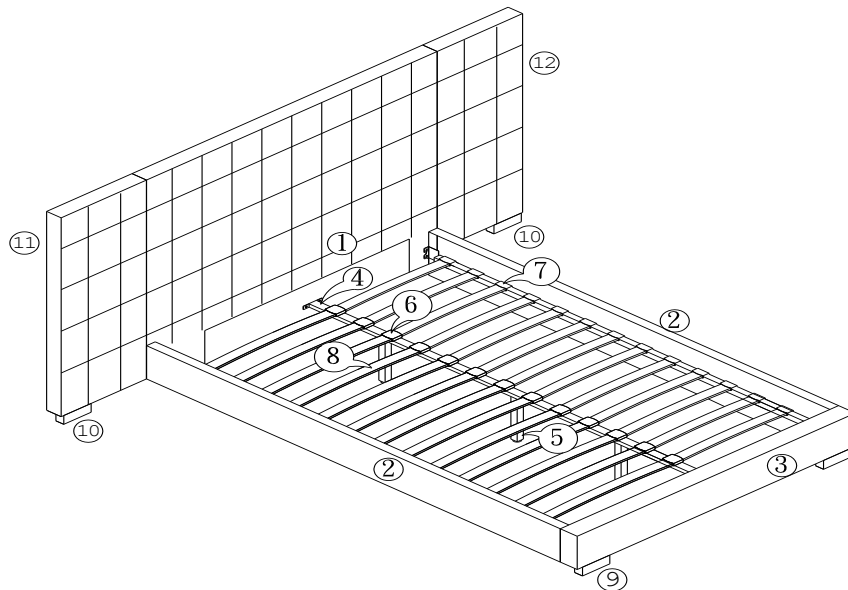
1. We suggest you spend a short time reading through this leaflet and then follow the simple step-by-step instructions.
2. Owing to the size and weight of the bed, we recommend that it is assembled by two adults, on a carpeted or padded area, in the room that it is intended for. Approximate assembly time: 30 minutes.
3. Please do not use any tools other than those provided or recommended in these instructions.
4. Please do not throw away any of the packaging or the instruction until you have checked all the components and hardware and the furniture is fully assembled. Please ensure that the packaging is disposed of in a safe and environmentally friendly way.
5. Assemble all components loosely until advised to tighten. Depending on use, it may be necessary to tighten the components from time to time, so please save the tools that have been provided.
6. Please keep all fitting out of reach of children.



Hardware:

- | | | | |
|----|---|--------------|-----|
| A. |  | Bolt M8x80mm | x6 |
| B. |  | Bolt M8x50mm | x12 |
| C. |  | Bolt M8x25mm | x8 |
| D. |  | Bolt M8x20mm | x10 |
| E. |  | Flat Washer | x42 |
| F. |  | Lock Washer | x42 |
| G. |  | Allen Wrench | x1 |
| H. |  | Nut | x6 |
| I. |  | Open Wrench | x1 |

Components:

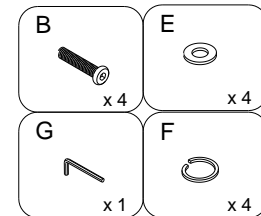
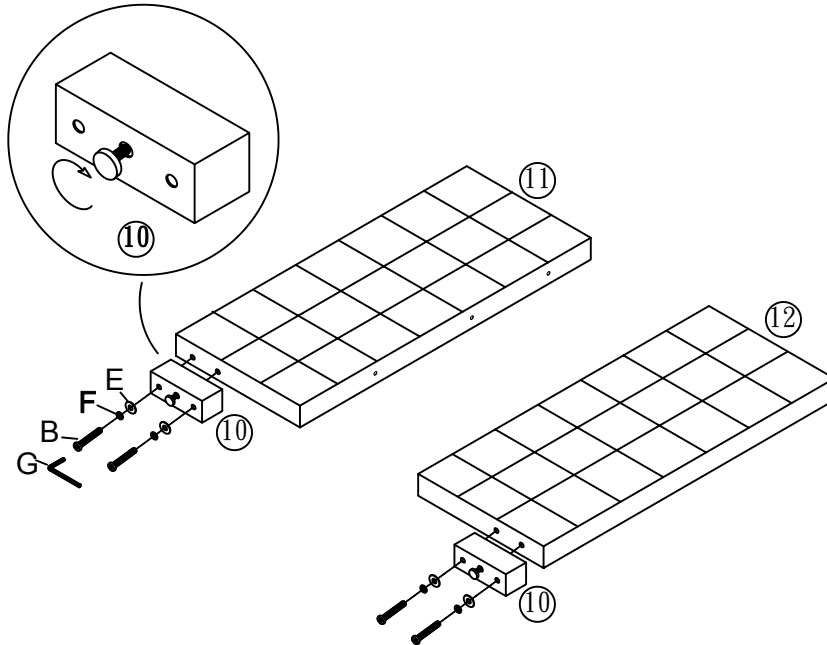


- | | | | | | | | | | |
|---|-----|-----------------------|-----|------------------|-----|----------------|----|-----------------------|----|
| 1. Middle Headboard | x1 | 2. Bed Rail | x2 | 3. Footboard | x1 | 4. Center Rail | x1 | 5. Center Support Leg | x3 |
| 6. Center Plastic Cover | x13 | 7. Side Plastic Cover | x26 | 8. Slat | x26 | 9. Leg | x4 | | |
| 10. Column Support Leg With Adjust Foot Glide | x2 | 11. Left Column | x1 | 12. Right Column | x1 | | | | |

QUEEN BED

STEP 1:

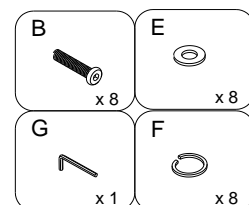
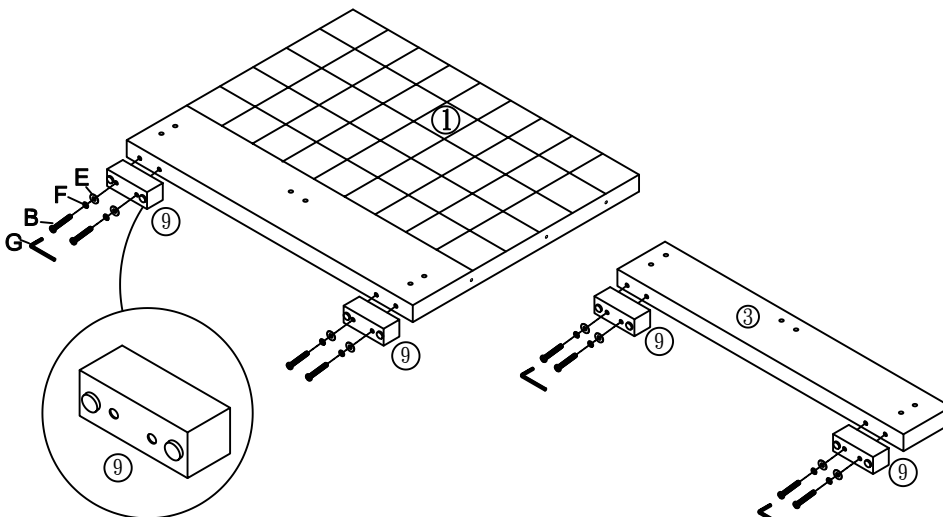
1. Attach the **Column Support Leg With Adjustable Foot Glide(10)** to the bottom of **Left Column(11)** & **Right Column(12)** by using 4 pieces of **Bolts(B)**, 4 pieces of **Lock Washers(F)** and 4 pieces of **Flat Washers(E)**. Tighten **Bolts(B)** by using **Allen Wrench(G)** fully as shown.
2. Please note the bottom of the **Column Support Leg(10)** has the adjustable foot glide which you can adjust the height if necessary.



Hardware & Tools required

STEP 2:

1. Attach each **Leg(9)** to the bottom of **Middle Headboard(1)** & **Footboard(3)** by using 2 pieces of **Bolts(B)**, 2 pieces of **Lock Washers(F)** and 2 pieces of **Flat washers(E)**. Tighten **Bolts (B)** by using **Allen Wrench(G)** fully as shown.

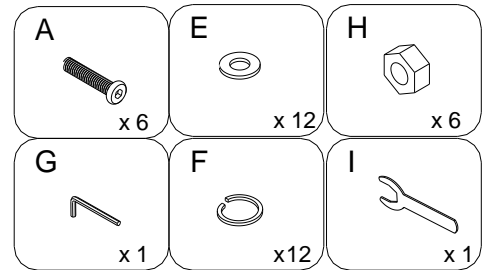
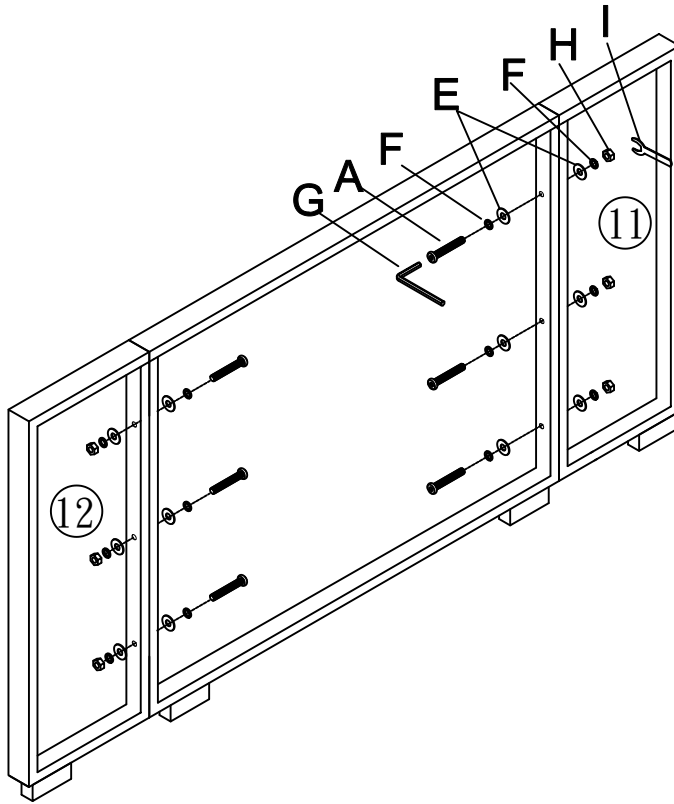


Hardware & Tools required

QUEEN BED

STEP 3:

1. Attach the **Left Column (11)** & **Right Column(12)** to **Middle Headboard(1)** by using 6 pieces of **Bolts(A)**, 12 pieces of **Lock washers(F)**, 12 pieces of **Flat washers(E)**, 6 pieces of **Nuts(H)**. Tighten **Bolts(A)** and **Nuts(H)** by using **Allen Wrench(G)** and **Wrench(I)** as shown.



Hardware & Tools required

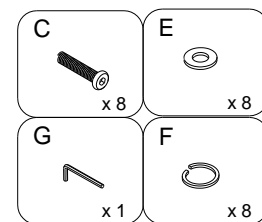
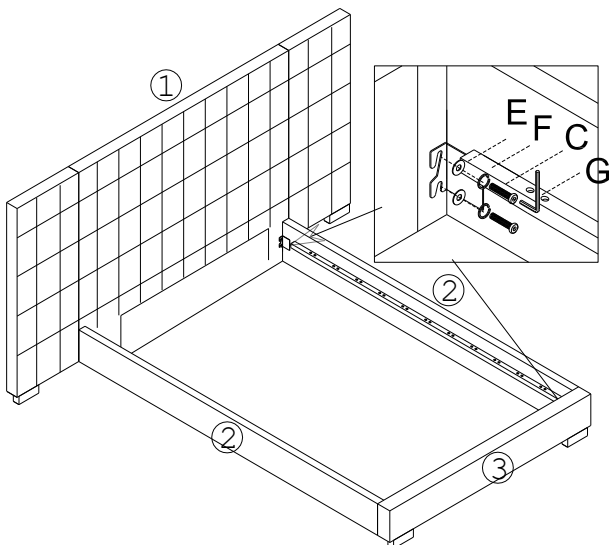
STEP 4:

Attach one end of **Bed Rail (2)** to the assembled **Headboard (1)** by using 2 pieces of **Bolts (C)**, 2 pieces of **Lock Washers (F)** and 2 pieces of **Flat Washers(E)**. Do not fully tighten **Bolts(C)** at this step.

Repeat the same steps for the other end of Bed Rail to the **Footboard (3)**.

Repeat the same steps for the other Bed Rail to **Headboard (1)** and **Footboard (3)**.

Finally tighten all the **Bolts (C)** fully.

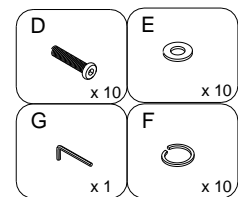
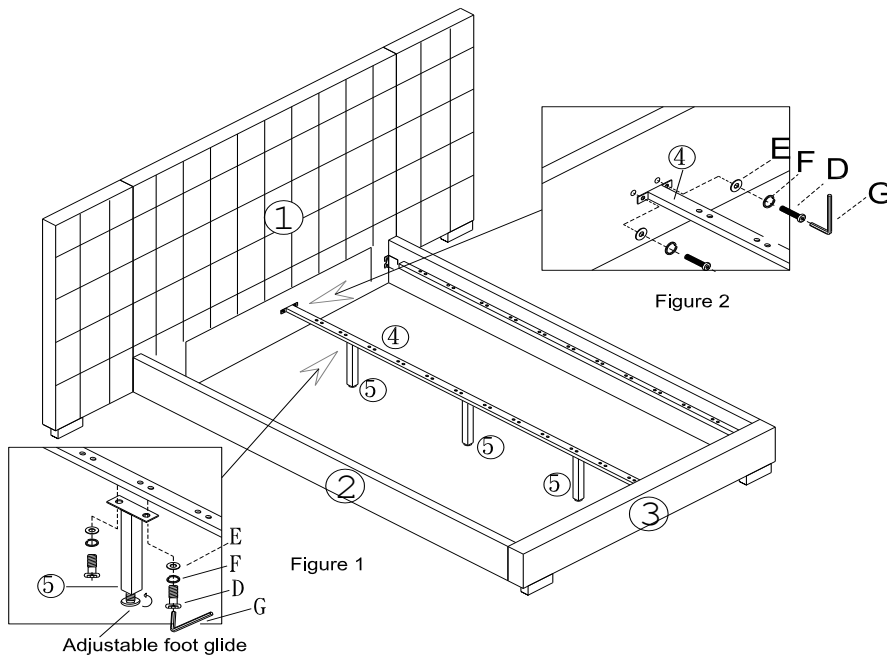


Hardware & Tools required

QUEEN BED

STEP 5:

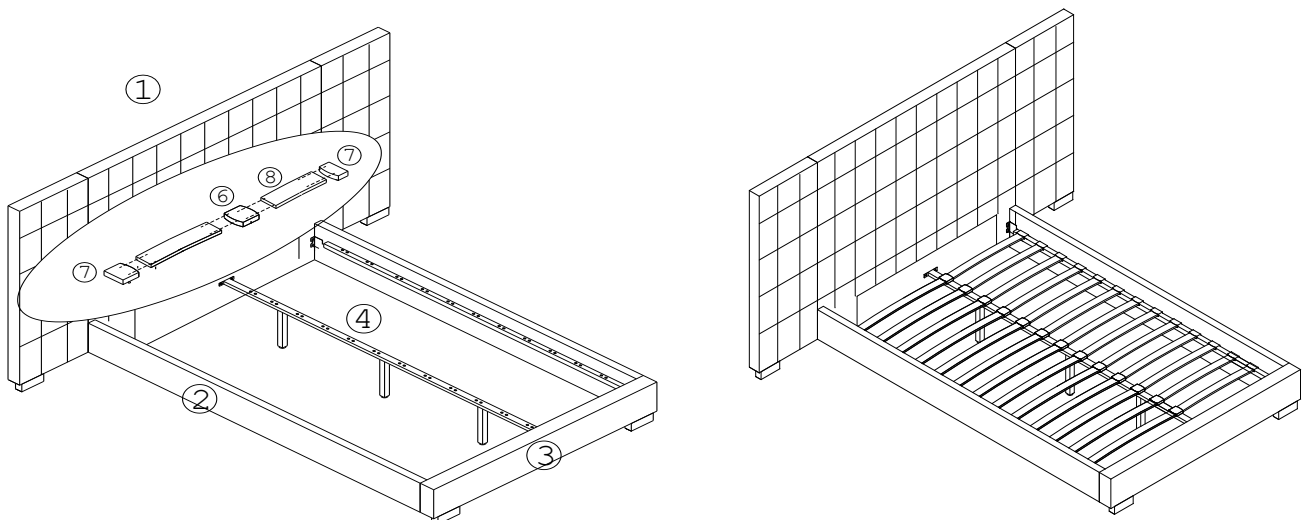
1. Attach each **Center Support Leg (5)** to **Center Rail (4)** by using 2 pieces of **Bolt(D)**, 2 pieces of **Lock Washers(F)** and 2 pieces of **Flat Washers(E)**. Tighten **Bolts (D)** by using **Allen Wrench(G)** fully as shown in Figure 1.
2. Attach the **Center Rail (4)** to the assembled Headboard &Footboard by using 4 pieces of **Bolts (D)**, 4 pieces of **Lock Washers(F)** and 4 pieces of **Flat Washers(E)**. Tighten **Bolts (D)** by using **Allen wrench (G)** fully as shown in Figure 2.
3. Please note the bottom of each **Center Support Leg (5)** has the adjustable foot glide which you can adjust the height if necessary.



Hardware & Tools required

STEP 6:

- Insert 2 pieces of **Side Plastic Covers (7)** into each end of 2 pieces of **Slats (8)** as shown. Insert the other end of the **Slats (8)** into 1 piece of **Center Plastic Cover (6)** as shown. Insert the assembled **Side Plastic Covers (7)** into the corresponding holes on the Slat support of the **Bed Rail (2)**, and the assembled **Center Plastic Cover (6)** into the corresponding holes on **Center Rail (4)** as shown. Repeat the same steps for the remaining 24 pieces of **Slats(8)**.



Assembly is completed. The Bed is ready to enjoy now!