

Wall-Mounted Industrial Toilet Paper Holder
PH1-1T-9.8

User Manual ▶

<https://gwhfactory.com/>

Important safety instructions:

- Young children may be injured by flipping furniture.
- Proper installation of the mounting hardware for this item is highly recommended.
- Do not stand, step, or climb on the unit.
- This product should only be used on a flat, level surface.
- Do not tighten bolts/ screws completely until all bolts/ screws are lined up and inserted into holes.
- Do not over-tighten bolts/ screws to avoid stripping.
- Please use hand tools to assemble this product. Do not use power tools.
- Use the packaging carton as a working surface to prevent product damage during assembly.

TO GUARANTEE THE SAFE USE OF THIS PRODUCT, FOLLOW THE WARNINGS, GUIDELINES AND RECOMMENDATIONS IN THIS MANUAL.

Hello DIY Lovers,

I know how excited you are to roll up your sleeves and get to work right away, but taking a few seconds to read me can save you some installation time. I swear it only takes about 10 minutes as long as you follow the instructions exactly and the gravity where you live is still working. Don't worry, follow these simple instructions and you'll come back to your lover in no time.

All you need is ...

- A cup of coffee
- A motivational playlist
- Basic installation skills, so you can use these hand tools:



1. 1 Measuring tape



2. 1 Pencil (borrow your kid)



3. 1 Driller (make sure your wall can be drilled)



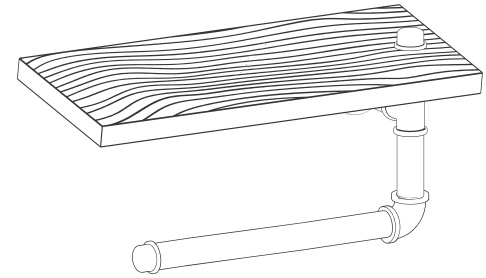
4. 1 Screwdriver



1 Spirit Level Ruler (optional)

LET'S GET STARTED!

This is what a successfully installed toilet paper holder should look like.



Estimated time for assembly

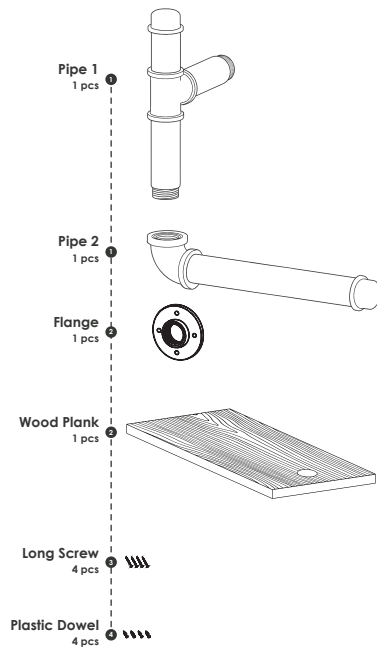


10:00

The order of work to do is:

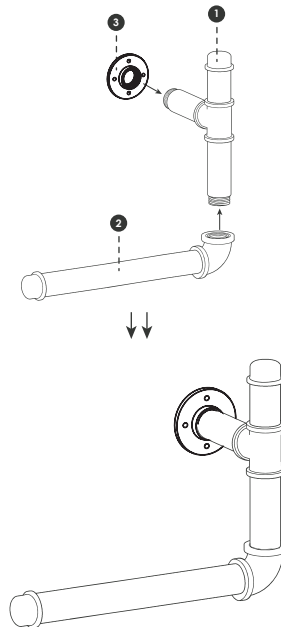
1. Assemble the pipes (3 min)
 2. Attach the pipe to the wall (5 min)
 3. Place and stabilize wood plank. (2 min)
- It's easy, right?

Below are the parts that are already included in the kit.



1. Assemble the Pipes

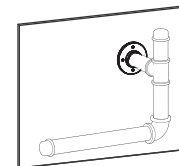
Twist the Flange (2) to attach to Pipe (1) & (2).
Note: rotate clockwise



2. Attach to the wall.

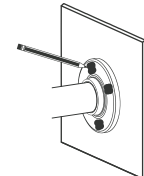
Step 1:

Place the pipe on the door fill to the height you wanted.



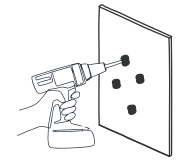
Step 2:

Use a pencil to mark 4 Flange holes.



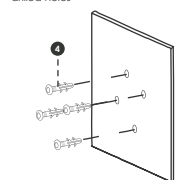
Step 4:

Drill 4 holes for each Flange.



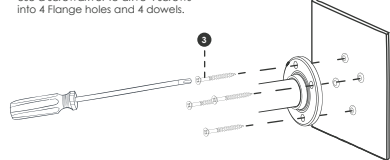
Step 5:

Use the handle of the screwdriver to knock dowels into the previously drilled holes



Step 6:

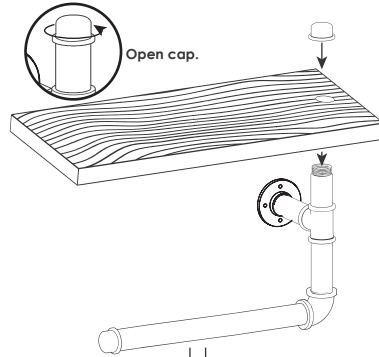
Use a screwdriver to drive 4 screws into 4 Flange holes and 4 dowels.



2. Place and stabilize wood plank.

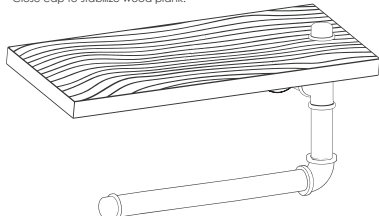
Step 1:

Twist to open cap and place your wood plank on pipe through it's hole.

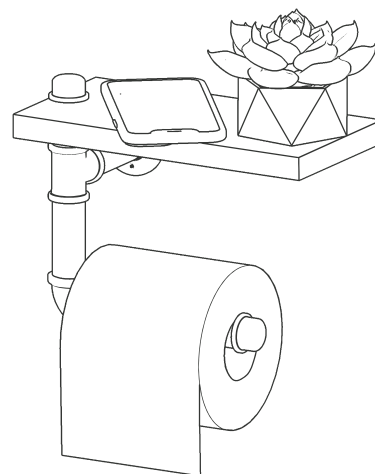


Step 2:

Close cap to stabilize wood plank.



3. Finish.



"Ta-da!" You've done a good job!

Order a celebratory pizza, you deserve it!
... Oh, I think your lover is waiting for you.

We really don't want you to go through the hassle of re-packaging your item and sending it back, because let's be honest... nobody has time for that. ☺☺☺

Instructions for use and maintenance:

1. We recommend that you tighten the screws 2 weeks after assembly and for added safety check the tightness of all screws every 2 months.
2. DO NOT put hot serving liquid directly on the shelf.
3. DO NOT leave spilled liquid on the shelf.
4. DO NOT leave children unattended before the product is fully assembled.
5. Dust often using a clean, soft, dry, lint-free cloth.
6. Bolt all pieces immediately and wipe with a clean, damp cloth.
7. We do not recommend the use of chemical cleaners, abrasives, or furniture polish on our lacquered finish.

Use this Toilet Paper Holder responsibly with the primary concern for your safety. Follow assembly instructions carefully and inspect the product upon receipt and each use.

Warranty Information

If you have any questions or issues with the product, please contact us through the Amazon store and our website. We have a return policy if the product is defective or does not meet your expectations. Please contact us to get the most suitable solution.

We hope you will have the best experiences using our Toilet Paper Holder. The instructions above are recommended for a standard shelf with stable gravity on Earth. You are sure to find something you'll love in our selection of rustic, industrial, handmade, solid wood, and space-saving furniture designs along with our one-of-a-kind picture frame collections!

available at
amazon



Scan me

If you're satisfied with the product, please leave a review/feedback on our store, so that the others can benefit from our excellent products.

<https://gwhfactory.com/>