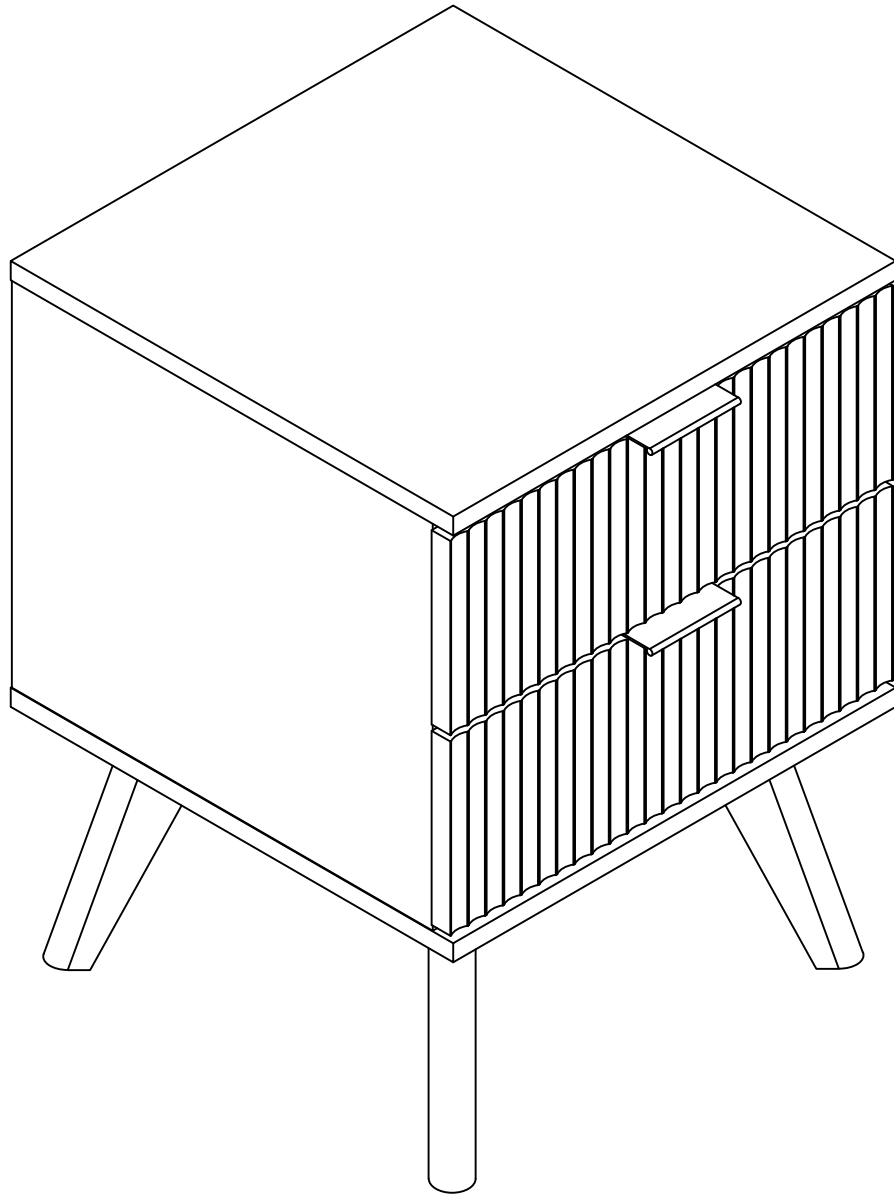


# Installation Instruction



# Assembling

---

Estimated time for assembly

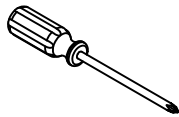


**45 : 00**

---

What you need

- Use the packaging carton as a working surface to prevent product damage during assembly
- Phillips head screwdriver



Weight Limitation



**100** | **35**  
lbs table top    lbs per

---

# What' included

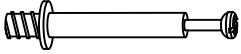
---

Code	Description	Qty
A	Cam Bolt M6X35MM	12
B	Cam Lock 15X12MM	12
C	Wooden Dowel M8X30MM	12
D	Screw M4X40MM	14
E	Screw M3.5X14MM	2
F	The metal plate	4
G	Nylon Strap	2
H	Screw M3.0X14MM	34
I	Metal shake handhandle	2
J	Plastic Angle code	6
K	Anchor	2
L	MATS	4
M	MATS	1
CL	Left mother extended orbit	2
CR	Right mother extended orbit	2
DL	Left public extension track	2
DR	Right public extends track	2

---

# The Hardware

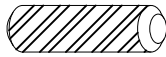
A



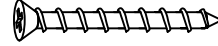
B



C



D



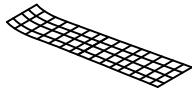
E



F



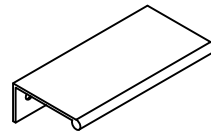
G



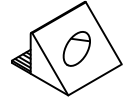
H



I



J



K



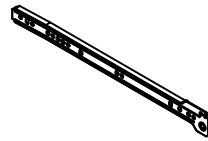
L



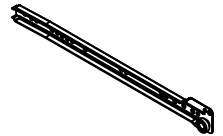
M



CL



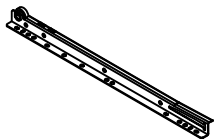
CR



DL



DR



## IMPORTANT:

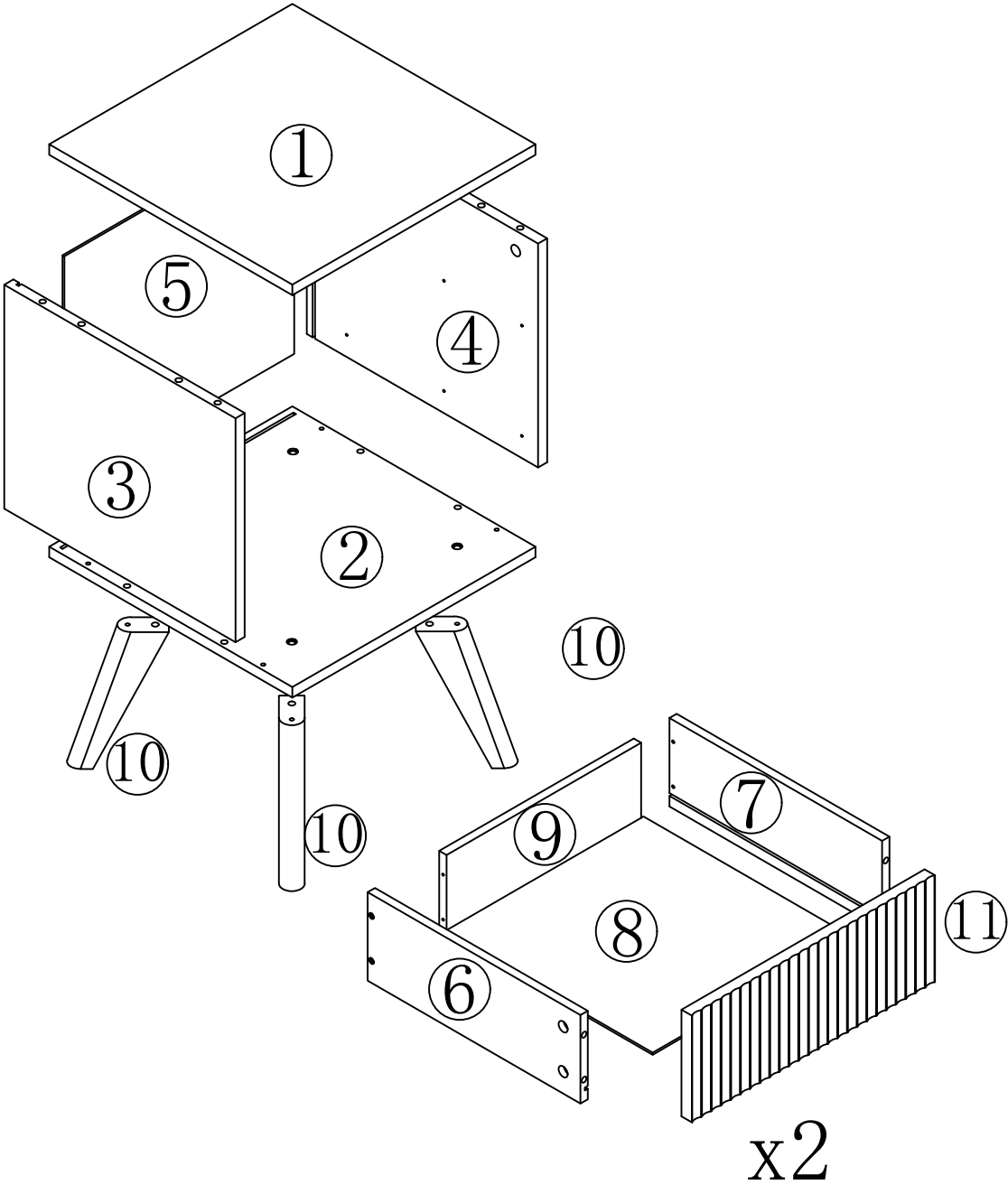
1. Do not tighten bolts / screws completely until all bolts / screws are lined up and inserted into holes.
2. Do not over tighten screws and bolts to avoid stripping
3. Please use hand tools to assemble this product. Do not use power tools.

# Included Accessories

---

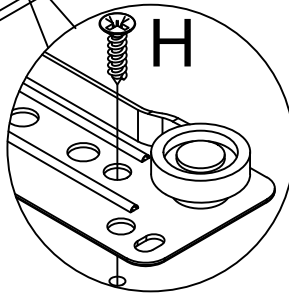
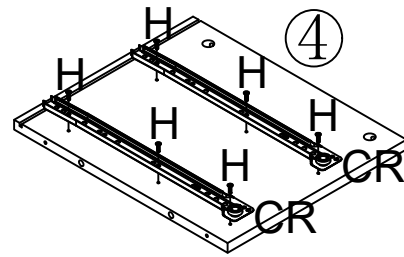
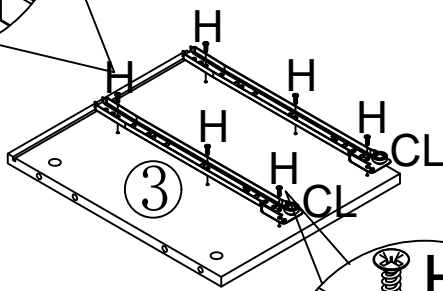
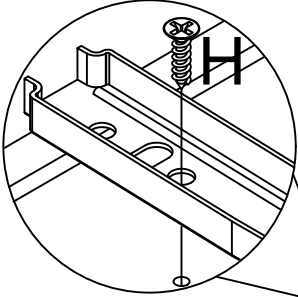
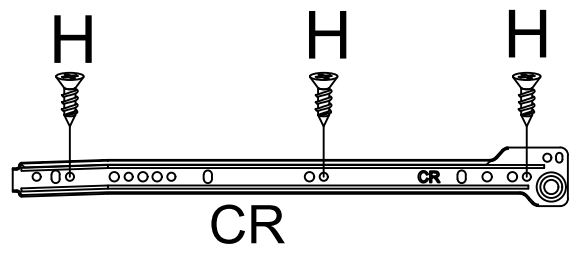
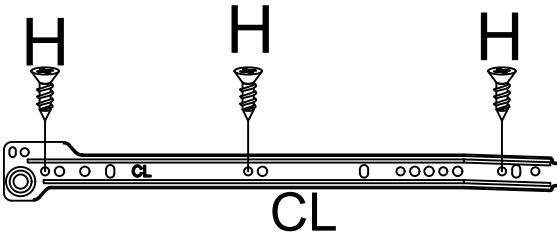
Code	Description	Qty
1	Cabinet Top	1
2	Bottom Panel	1
3	Left Side Panel	1
4	Right Side Panel	1
5	Back Panel	1
6	Drawer left panel	2
7	Drawer right side panel	2
8	The drawer bottom	2
9	After the drawer board	2
10	Solid wood feet	4
11	The drawer face	2

# The Accessoriess



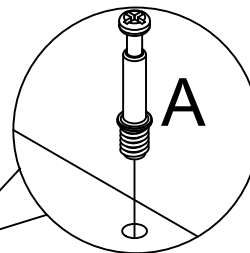
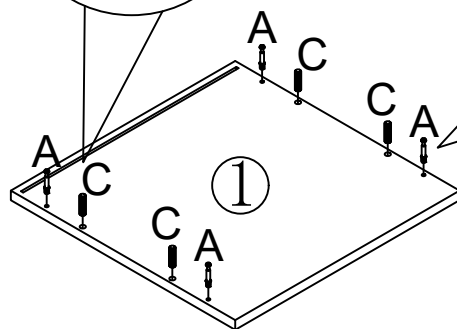
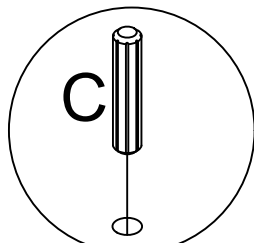
# Step 1

CL	×2	CR	×2	H	×12

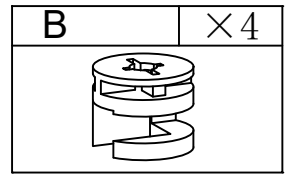
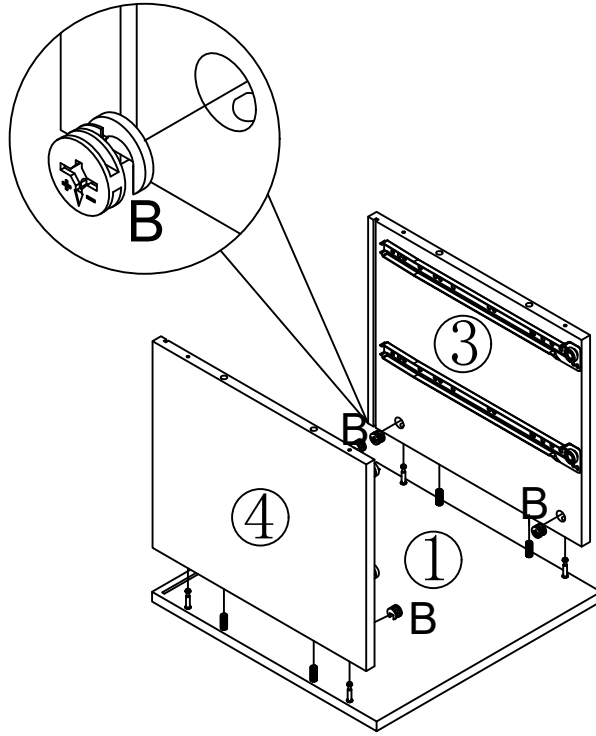


# Step 2

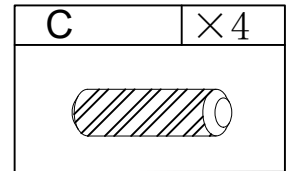
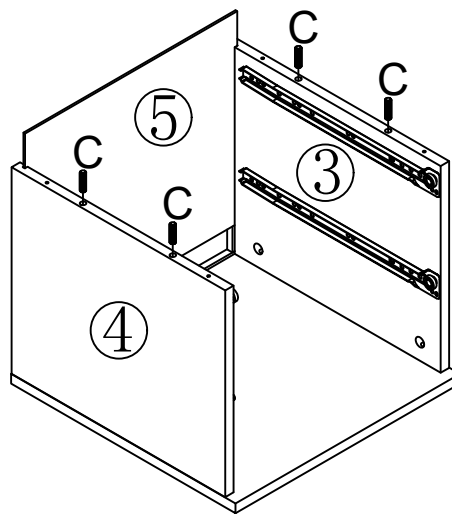
A	×4	C	×4



# Step 3

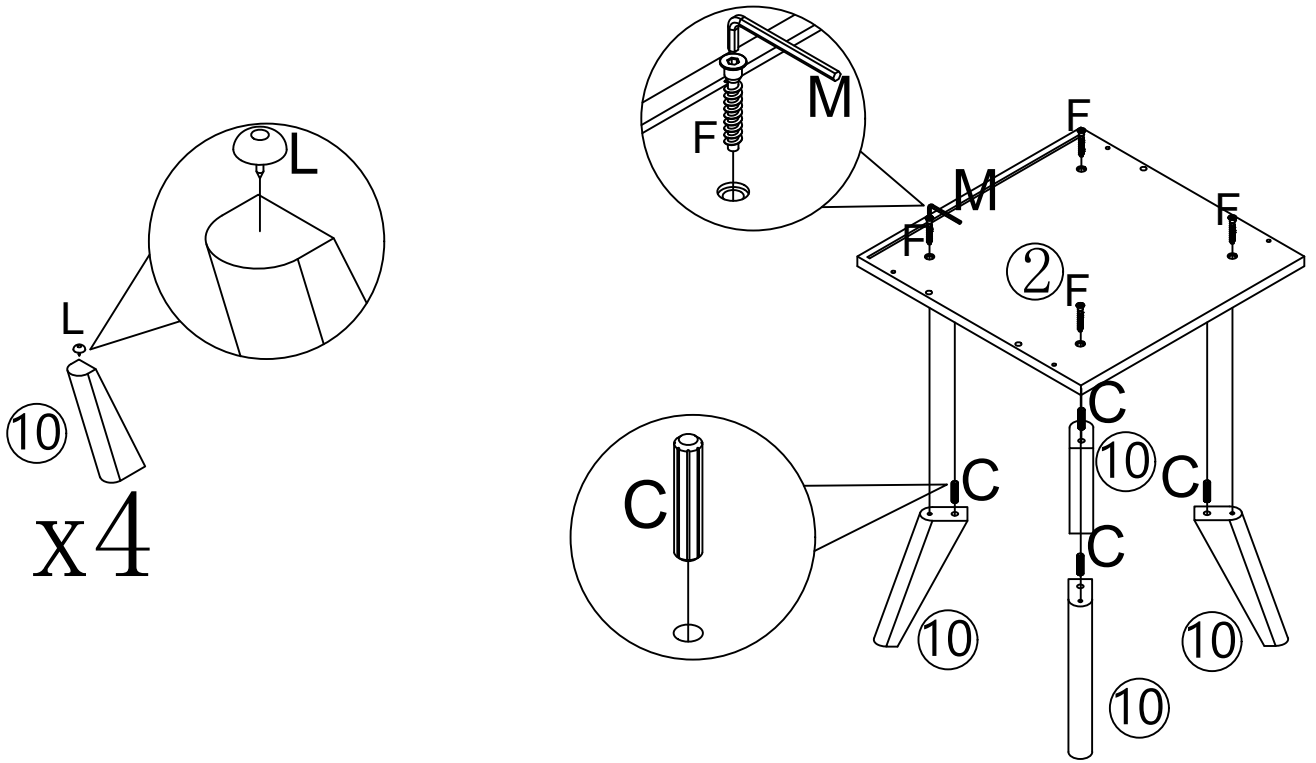


# Step 4



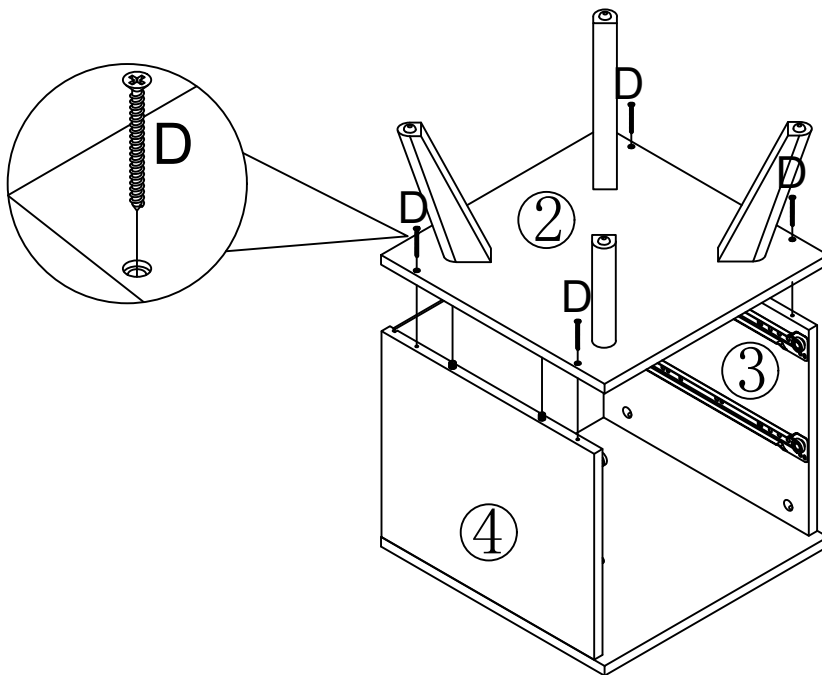
# Step 5

C	×4	F	×4	L	×4	M	×1

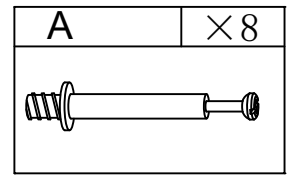
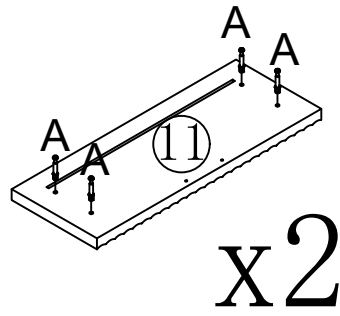


# Step 6

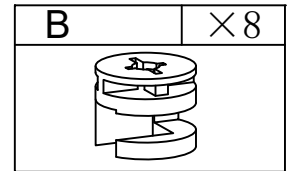
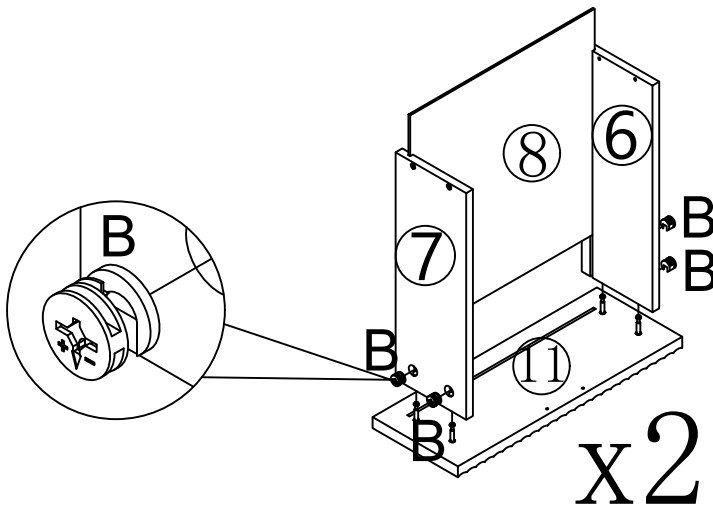
D	×4



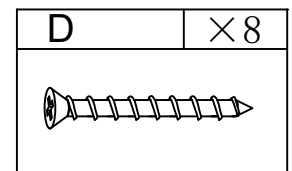
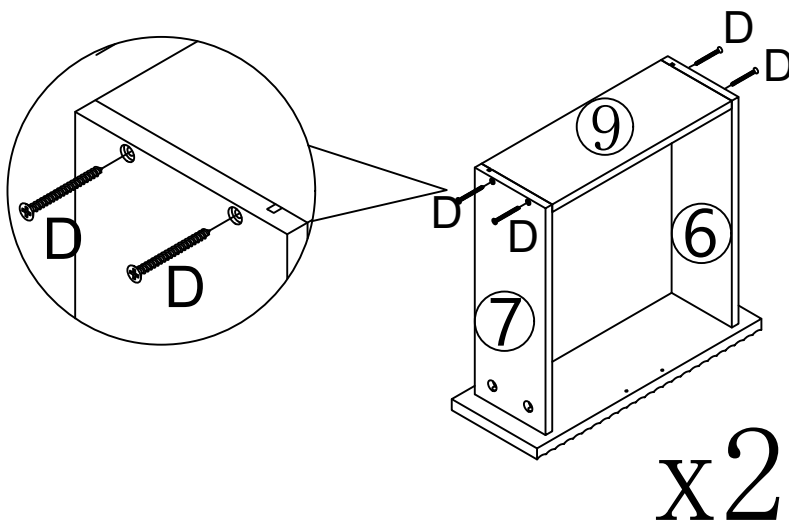
# Step 7



# Step 8

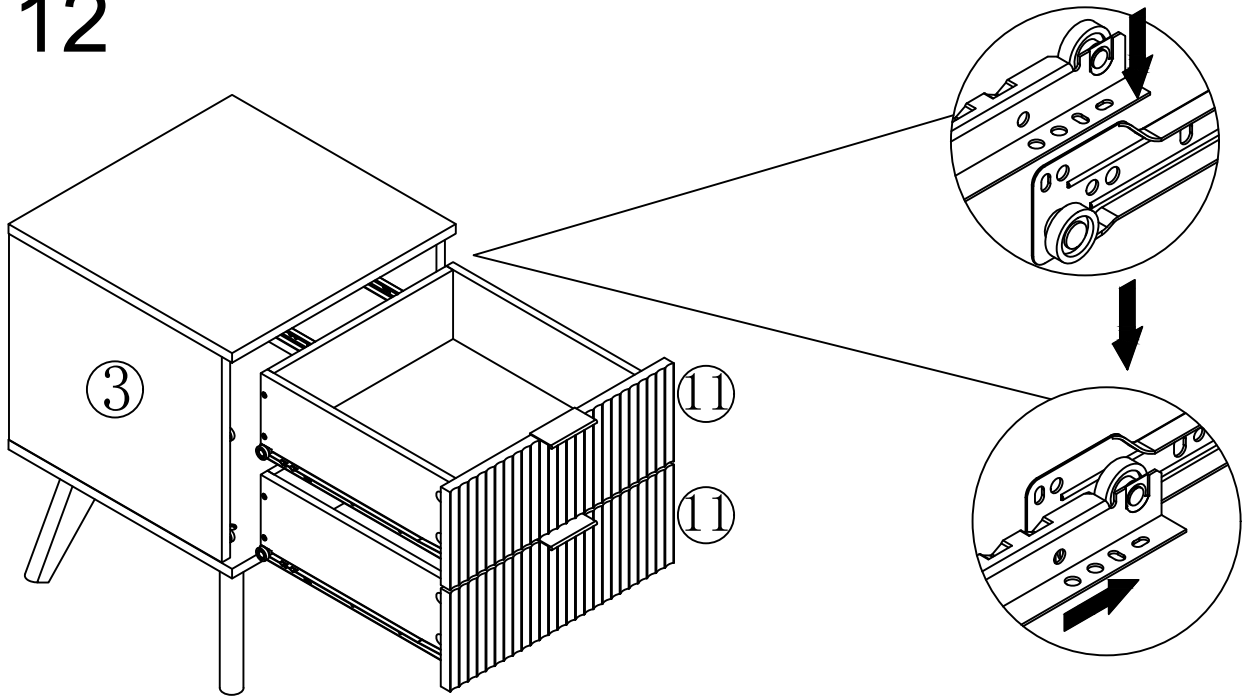


# Step 9

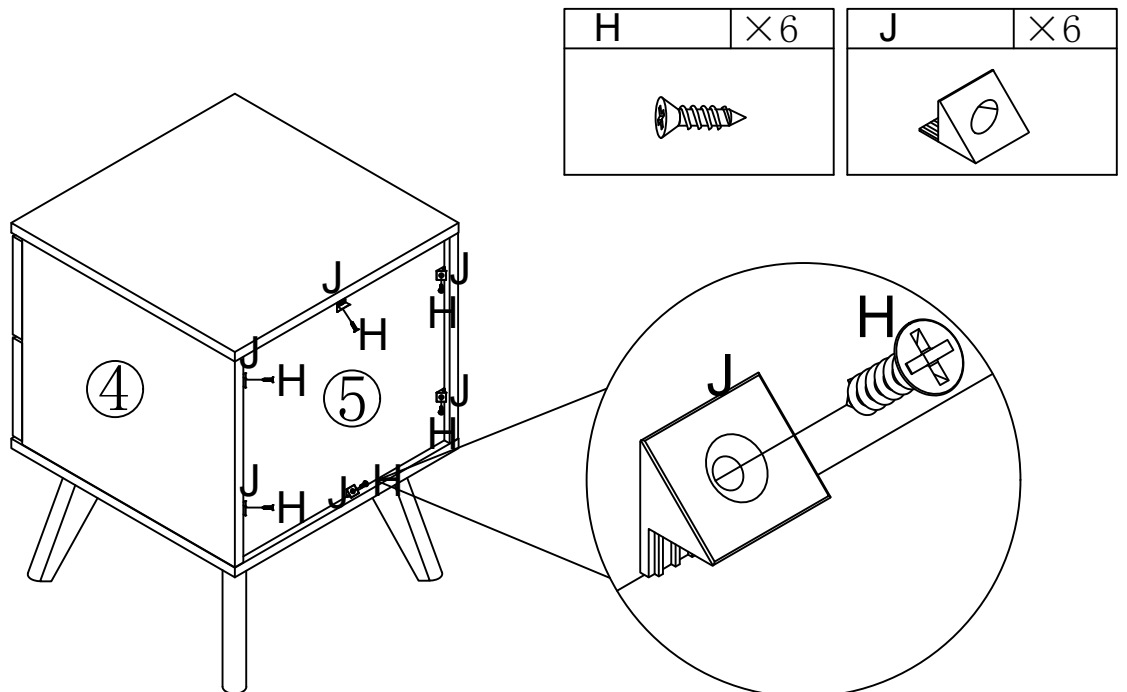





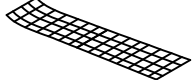
# Step 12

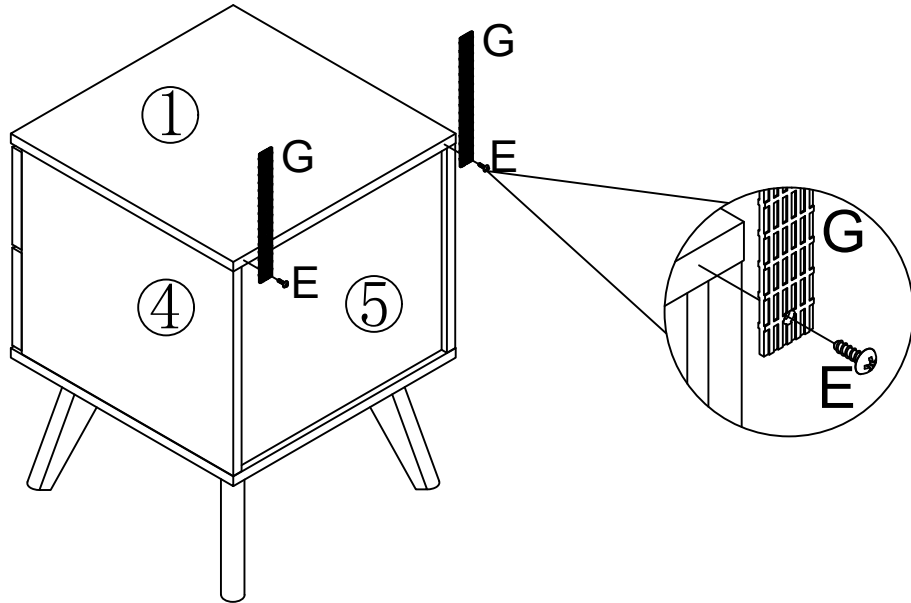


# Step 13



# Step 14

E	×2	G	×2
			



# Step 15

D	×2	K	×2
