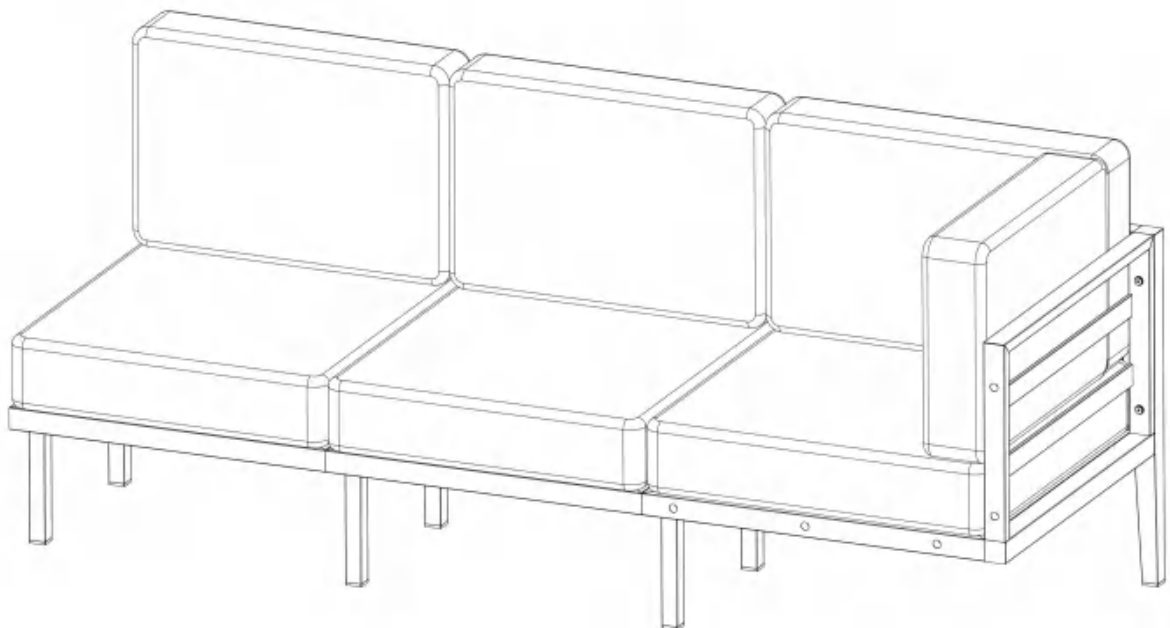


# 3-seat Corner Sofa Set



PLEASE READ AND KEEP THE INSTRUCTIONS FOR FUTURE REFERENCE.

# SPECIFICATIONS

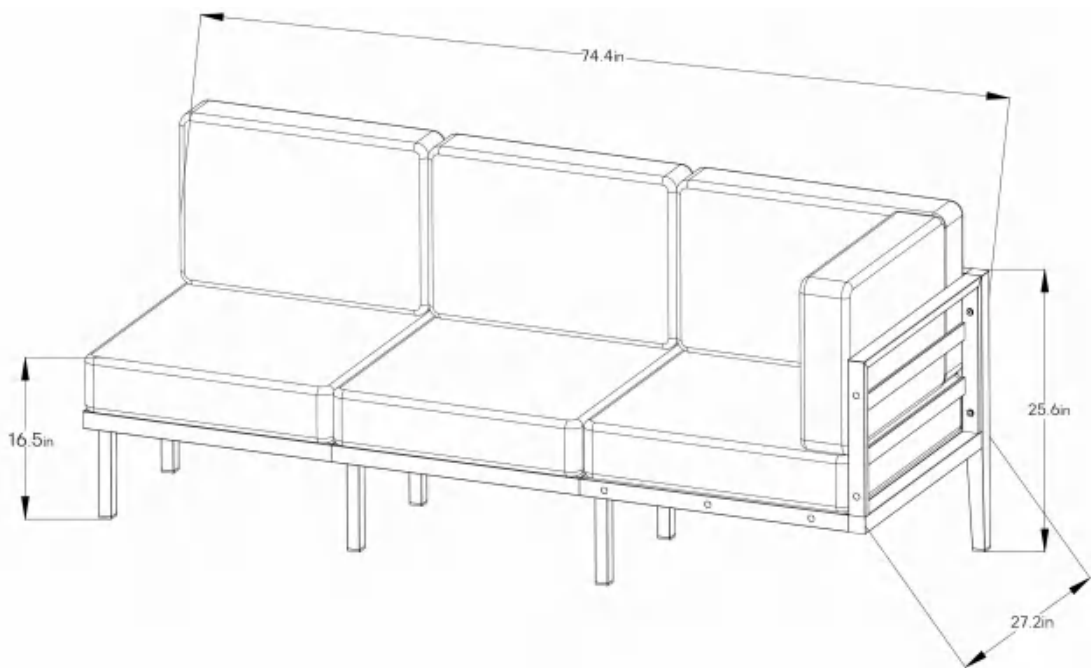
## Dimension :

Assembled Width: 27.2in

Assembled Height: 25.6in

Assembled Length: 74.4in

Material: aluminum



# CONTENTS

Specifications.....	1
Content.....	2
Important.....	3
Parts List.....	4
Installation.....	6
Maintenance & Care.....	12

Dear Valued Customer,

Thank you for choosing our premium Aluminum furniture. We hope this elegant and durable piece will bring comfort and style to your living space for many years to come. This instruction manual contains important information regarding assembly, safety, care, and maintenance. Please read it carefully before use and keep it for future reference.

**We're Here to Help !**

# IMPORTANT

To prevent injury or damage, follow these safety precautions:

**Assembly:** Ensure all components are securely tightened during assembly. Periodically check and retighten as necessary.

**Stability:** Place the furniture on a flat, level surface to prevent tipping.

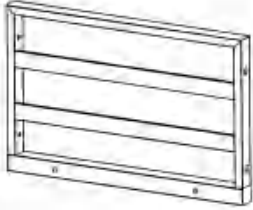

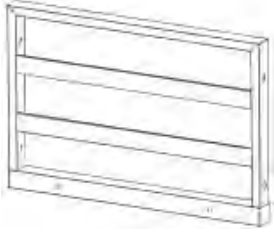
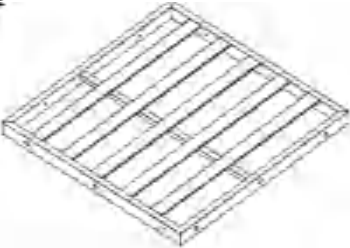

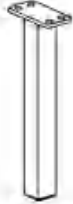



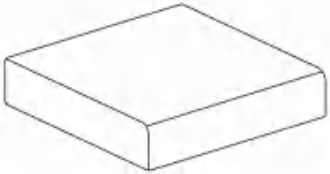
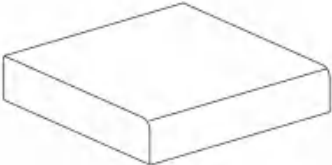
**Children & Pets:** Supervise children and pets around the furniture. Do not allow children to climb or play roughly on the furniture.

**Moving:** Always lift the furniture when moving. Dragging can damage the table legs. For larger items, seek assistance.








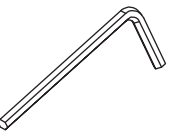
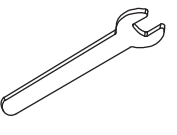
**Outdoor Use :** Although designed for outdoor use, prolonged exposure extreme weather conditions (heavy rain, snow, intense sunlight) may affect longevity. Consider using furniture cover when not in use for extended periods.

**Cleaning:** Use only recommended cleaning methods as outlined in this manual.

## PARTS LIST BOX

<p>Ⓐ × 2</p> 	<p>Ⓑ × 2</p> 	<p>Ⓒ × 2</p> 
Backrest	Seat Plate	Backrest
<p>Ⓓ × 1</p> 	<p>Ⓔ × 1</p> 	<p>Ⓕ × 6</p> 
Seat Plate	Sofa Leg	Sofa Middle Legs
<p>Ⓖ × 1</p> 	<p>Ⓗ × 2</p> 	<p>Ⓖ × 1</p> 
Long Back Cushion	Back Cushions	Short Back Cushion
<p>Ⓙ × 1</p> 	<p>Ⓚ × 2</p> 	
Seat Cushion	Seat Cushions	

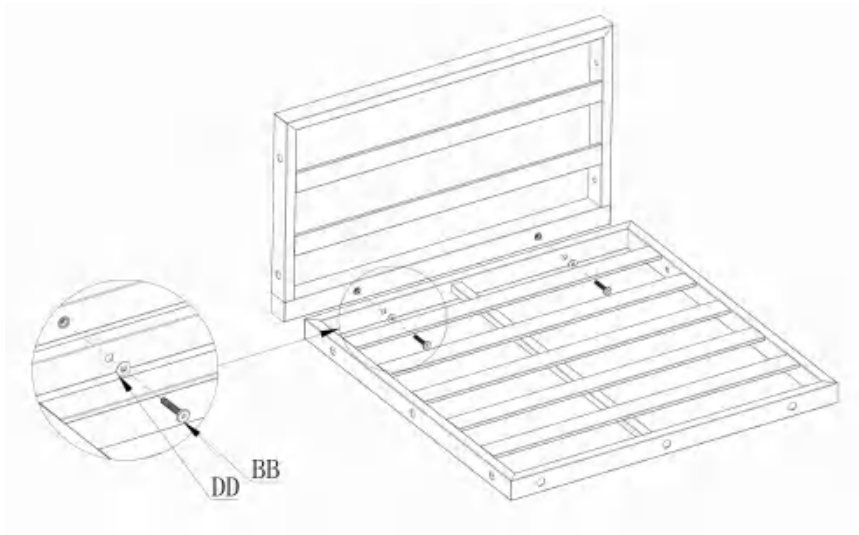
# PARTS LIST (Screw Set)

<p>Ⓐ × 24</p>  <p>Bolt M6 x15</p>	<p>Ⓑ × 12</p>  <p>Bolt M6 x35</p>	<p>Ⓒ × 15</p>  <p>Bolt M6 x50</p>	<p>Ⓓ × 51</p>  <p>Washer M6</p>
<p>Ⓔ × 15</p>  <p>Screw Nut</p>	<p>Ⓕ × 51</p>  <p>Bolt Caps</p>	<p>Ⓖ × 15</p>  <p>Nut Caps</p>	<p>Ⓗ × 1</p>  <p>Spanner</p>
<p>Ⓙ × 1</p>  <p>Wrench</p>			

## Step 1

Attach the Backrest(C) to Seat Plate(D) with bolts (BB) and washers(DD).

**NOTE:** please do not fully tighten the bolts to allow for further adjustment.



D x1



C x1



BB (M6\*35) x 2

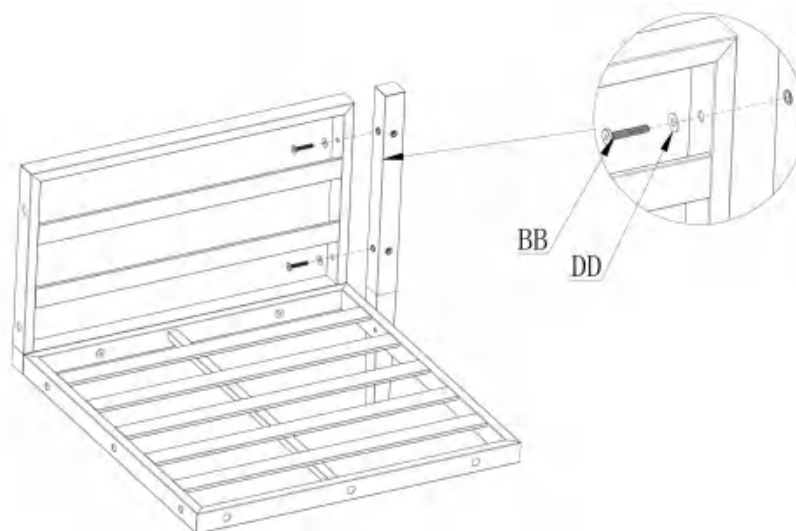


DD (M6) x 2

## Step 2

Attach the Sofa Leg(E) to the Backrest with bolt (BB)&Washers(DD)

**NOTE:** please do not fully tighten the bolts to allow for further adjustment.



E x1



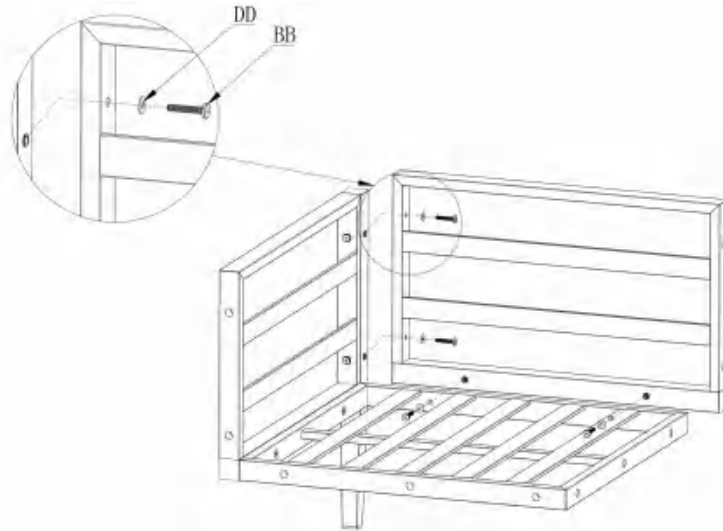
BB(M6\*35) x2



DD(M6) x2

## Step 3

Attach the Backrest Part (C) to the seat plat(D)&Sofa leg(E) with bolts (BB) & washer(DD)



C x 1



BB(M6\*35) x 4



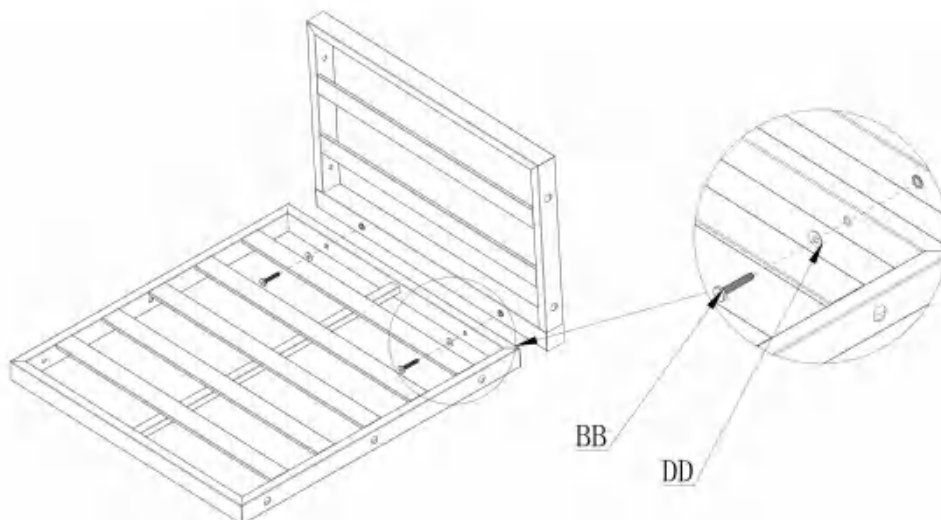
DD (M6) x 4

## Step 4

Attach the Backrest(A) to Seat Plate(B) with bolts(BB)&Washers(DD).

**\*\*Follow the same step to install another backrest and Seat plate.**

**NOTE:** please do not fully tighten the bolts to allow for further adjustment.



A x2



B x2



BB(M6\*35) x 4

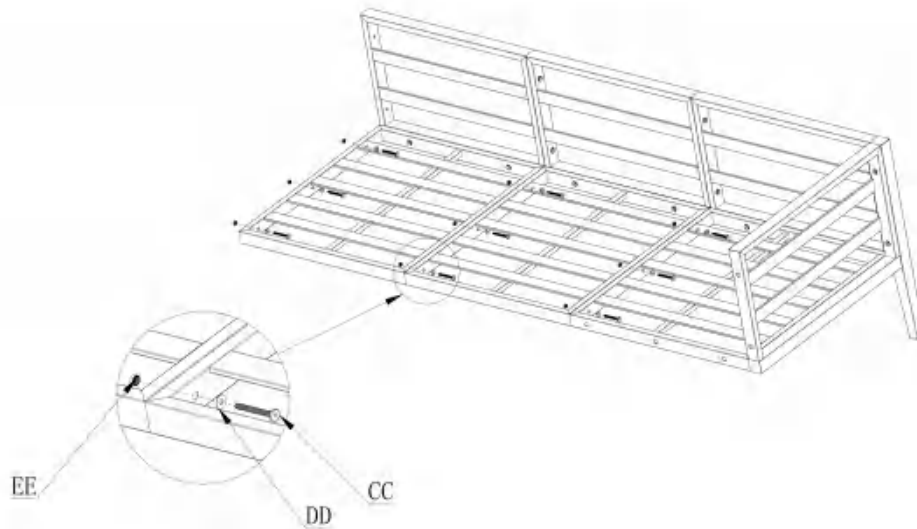


DD (M6) x 4

## Step 5

Attach the pre-assembly 3 Seats together with bolts (CC), washer (DD) and bolt nuts (EE).

**NOTE:** please do not fully tighten the bolts to allow for further adjustment.



CC(M6\*50) x9



EE(M6) x9

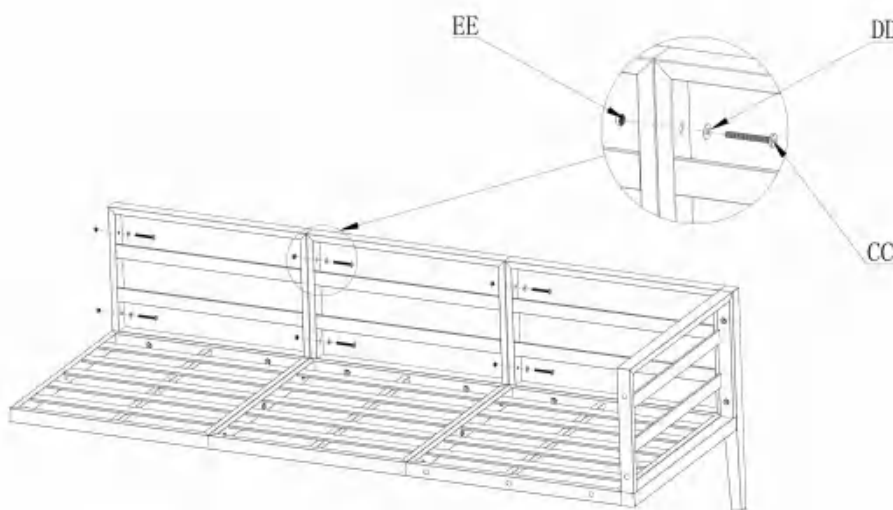


DD(M6) x9

## Step 6

Secure the 3 backrest part together with bolts (CC), washer (DD) and bolt nuts (EE).

**NOTE:** please tighten all the bolts.



CC(M6\*50) x6



EE(M6) x6

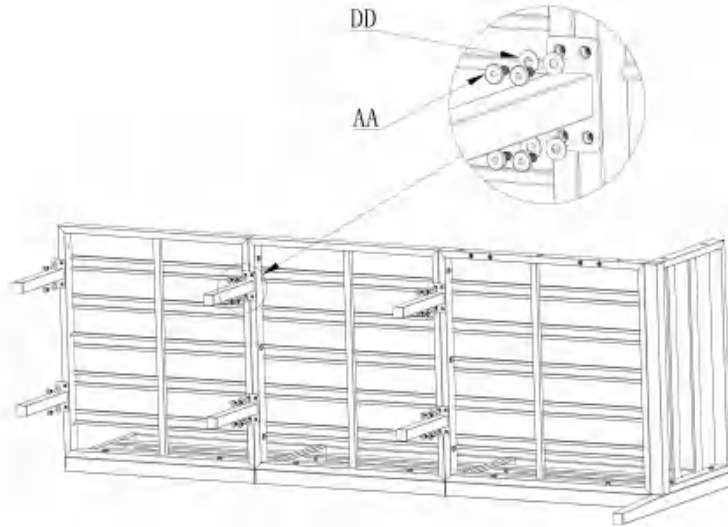


DD (M6) x6

## Step 7

Secure Sofa Legs(F) to the sofa base with bolts(AA) and washers DD).

**NOTE:** please fully tighten all the bolts.



F x6



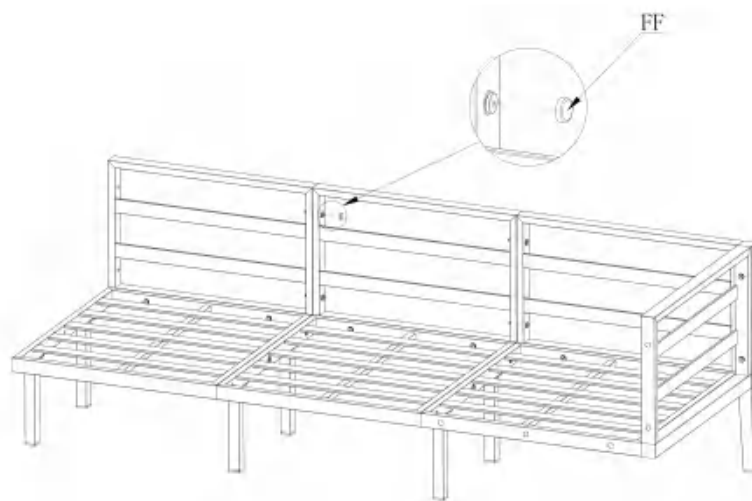
AA(M6\*15) x24



DD(M6) x24

## Step 8

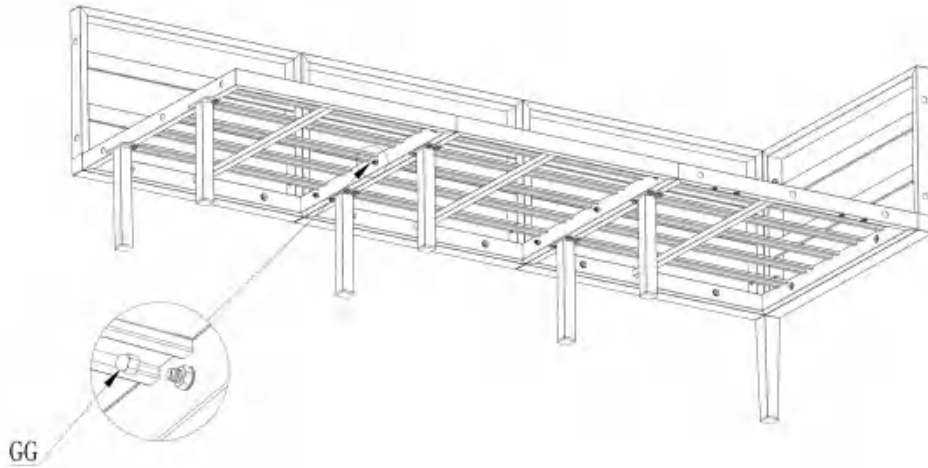
Press the bolt caps(FF) onto the bolts.



FF x51

# Step 9

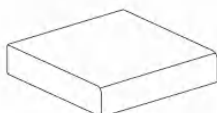
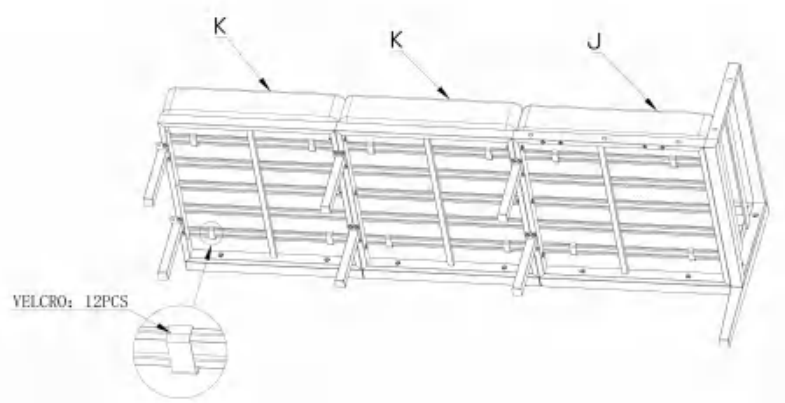
Screw the Nut Caps(GG) onto the Bolt Nut.



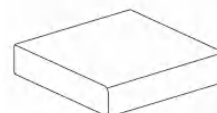
GG x 15

# Step 10

Place the Seat Cushions(J,K) onto the Sofa and Secure them with velcros.



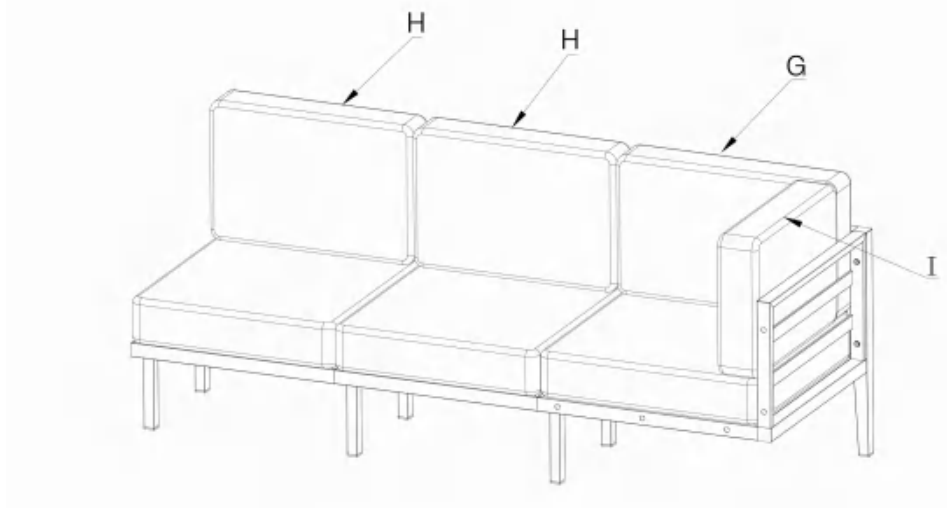
J x1



K x2

## Step 11

Place the Back Cushions(G, H,I) onto the Sofa.



G x1



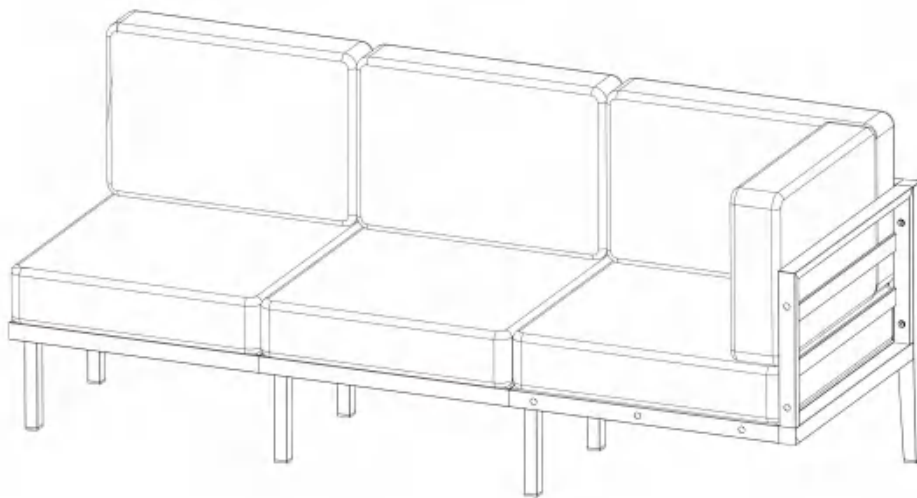
H x2



I x1

## Step 12

The sofa is ready for use now.



**Final Check:** Once assembly is complete, ensure all screws and fittings are tight and all components are securely attached.

## Sofa cover washing instruction



Back pillow



Take the back insert  
out of the fabric cover



Wash the cloth cover  
after removing it



Seat Cushion



Take the cushion insert  
out of the fabric cover

## Maintenance and Care

To preserve the quality and appearance of your outdoor aluminum Furniture , follow these guidelines:

**Cleaning** – Wipe surfaces regularly with a soft, damp cloth and mild soap solution. Avoid abrasive cleaners or harsh chemicals that may damage the finish. Dry thoroughly to prevent water spots.

**Protection** – Apply a UV-resistant furniture wax or protective coating every 3-6 months to maintain the aluminum ' s resistance to weathering and oxidation.

**Stain Removal** – Address spills promptly. For stubborn stains, use a non-abrasive cleaner diluted in warm water. Test on an inconspicuous area first.

**Scratch Prevention** – Avoid placing sharp or heavy objects directly on the furniture . Use coasters or placemats to protect the surface.

### Storage

If the sofa set is not in use for extended periods, cover the furniture or store it indoors i n a dry, cool location to prevent damage from weather or dirt.