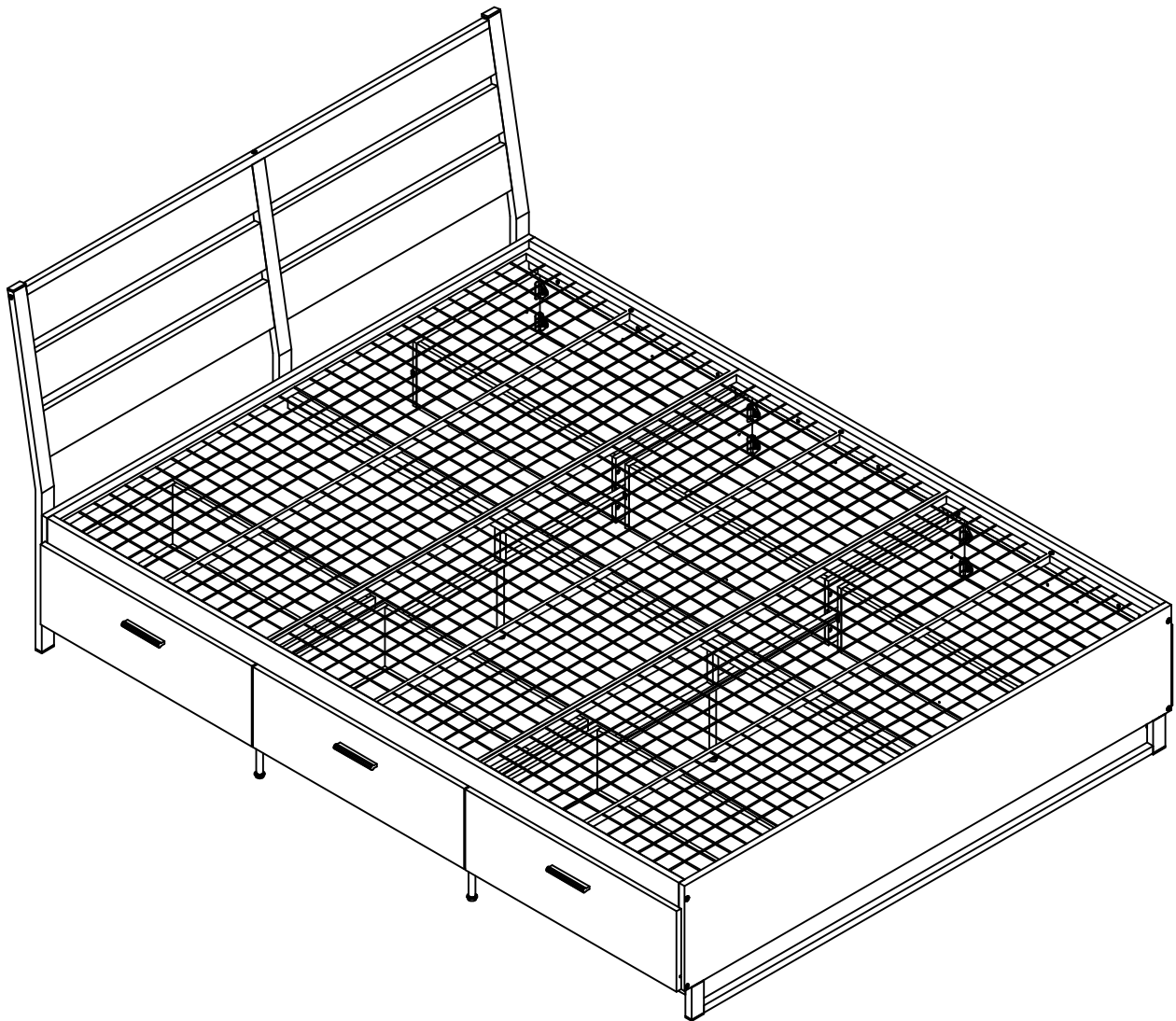


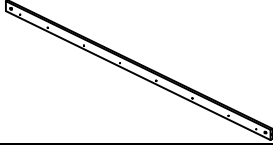
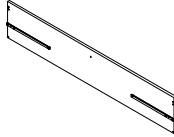
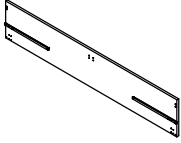
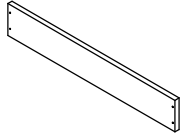
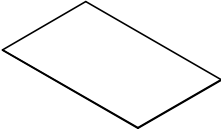

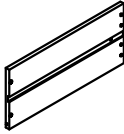
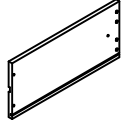
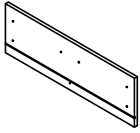
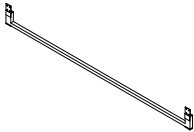

# ASSEMBLY INSTRUCTION



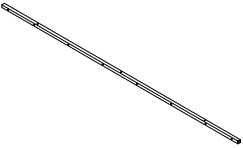
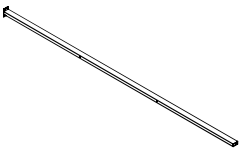
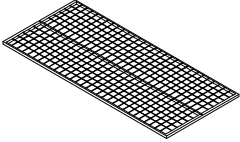
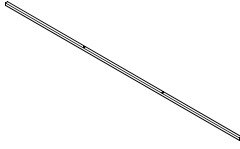
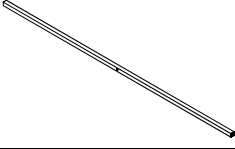
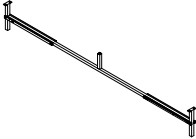
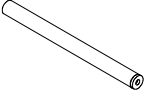
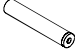

---

Thank you for purchasing the quality product. Be sure to check all packing material carefully for small parts which may have come loose inside the carton during shipment. Separate, identify and count all parts and metal hardware. Compare with all parts list to be sure all parts are present. If any part(s) are missing or damaged, please contact your local furniture dealer. For efficient and speedy service, please indicate the model number and code letter of part(s) needed.

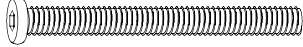
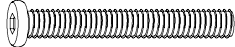





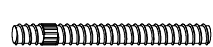



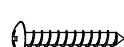






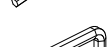


\*\* Do not fully tighten screws until fully assembled \*\*\*

COMPONENT PARTS			
DESCRIPTION	PART NAME	QTY(PCS)	
①	SIDE PANEL 	2	
②	HEADBOARD 	1	
③	FOOTBOARD 	1	
④	UPPER HEADBOARD 	6	
⑤	(DRAWER) BOTTOM PANEL 	6	
⑥	(DRAWER) REAR PANEL 	6	
⑦	(DRAWER) SIDE PANEL-LEFT 	6	
⑧	(DRAWER) SIDE PANEL-RIGHT 	6	
⑨	(DRAWER) FRONT PANEL 	6	
⑩	IRON FRAME OF BED END 	1	
⑪	IRON TUBE OF BED HEAD-RIGHT 	1	

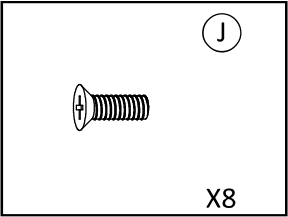
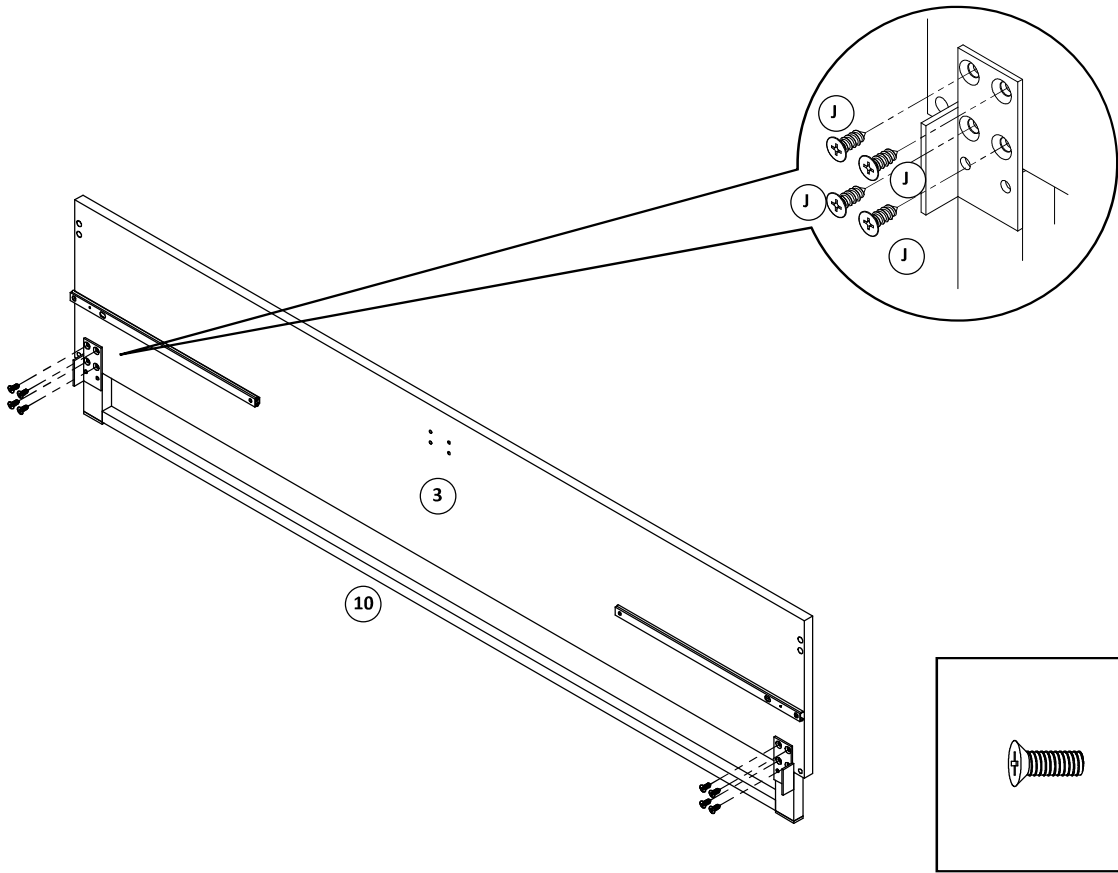
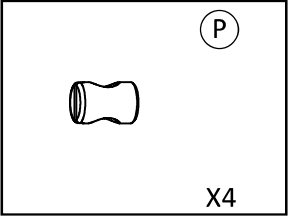
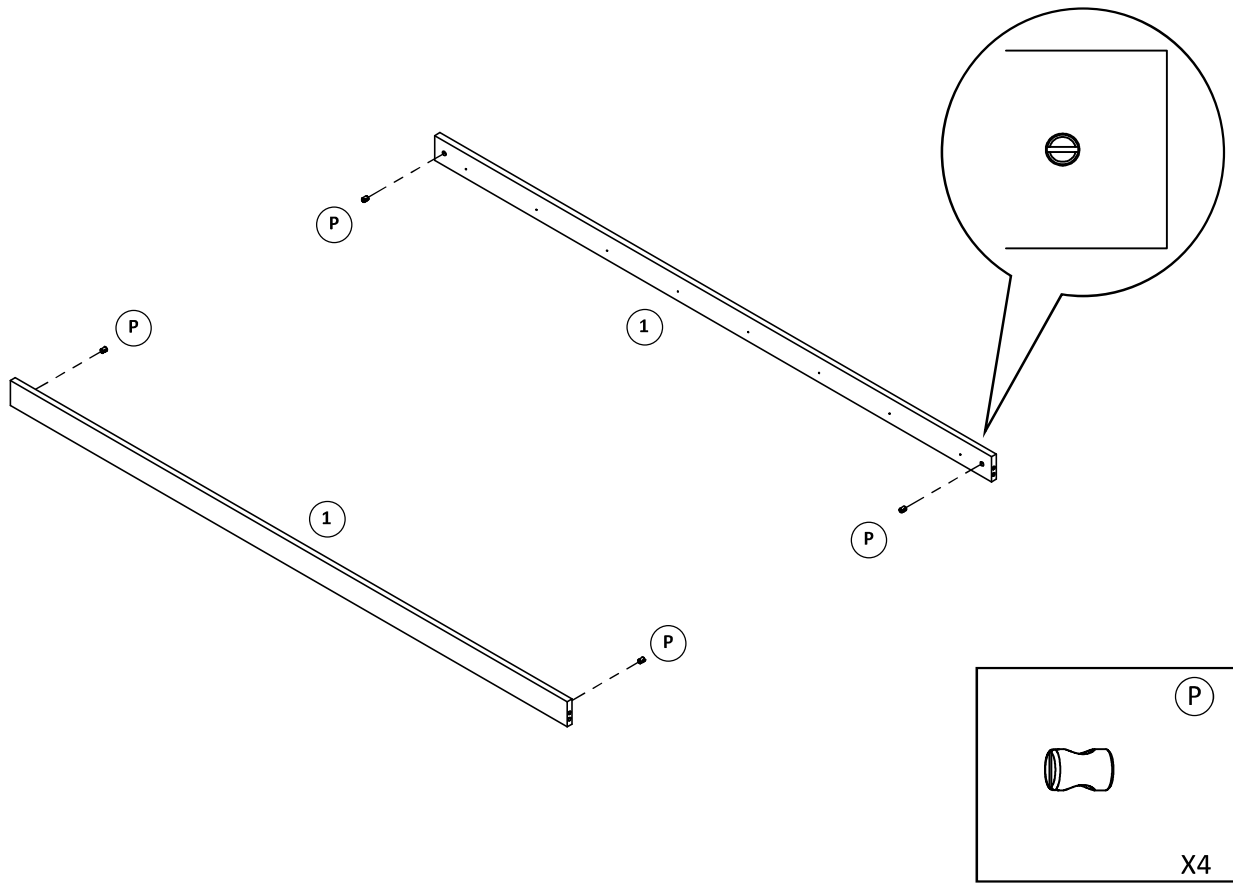
⑫	IRON TUBE OF BED HEAD-LEFT		1	
⑬	IRON TUBE OF BED HEAD-MIDDLE		1	
⑭	IRON TUBE OF BED SIDE		2	
⑮	SUPPORTIVE TUBE FOR BEDSTEAD		1	
⑯	BEDSTEAD		3	
⑰	SUPPORTIVE TUBE FOR BEDSIDE		2	
⑱	IRON TUBE FOR UPPER HEADBOARD		1	
⑲	H-SHAPE TUBE FOR DRAWER		2	
⑳	SUPPORTIVE TUBE FOR H-SHAPE TUBE(LARGE)		2	
㉑	SUPPORTIVE TUBE FOR H-SHAPE TUBE(SMALL)		4	
㉒	DRAWER BOTTOM FASTENING		6	

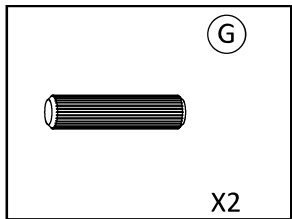
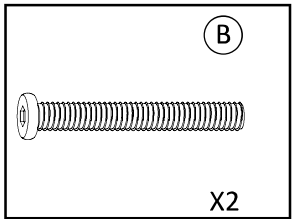
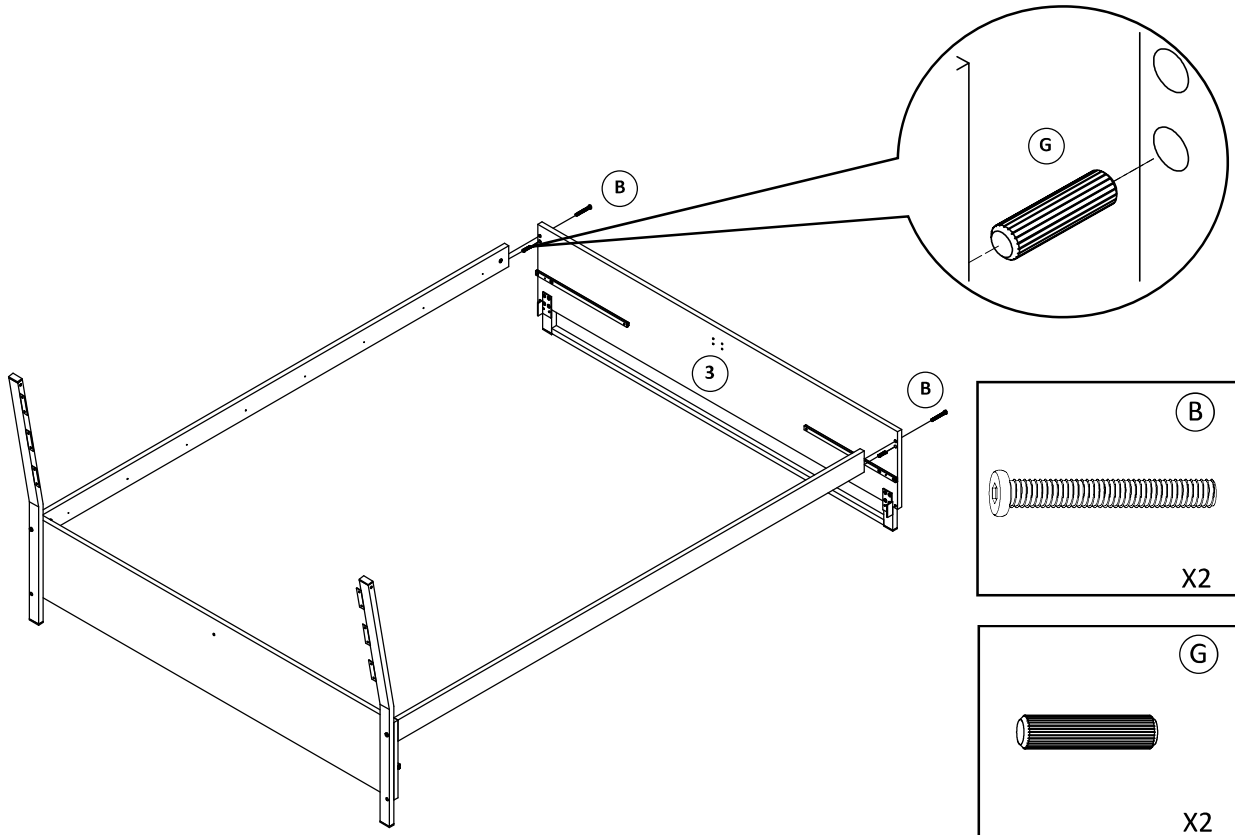
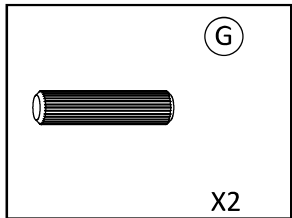
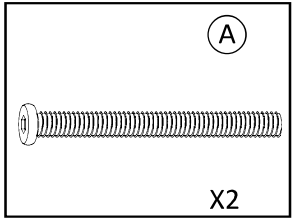
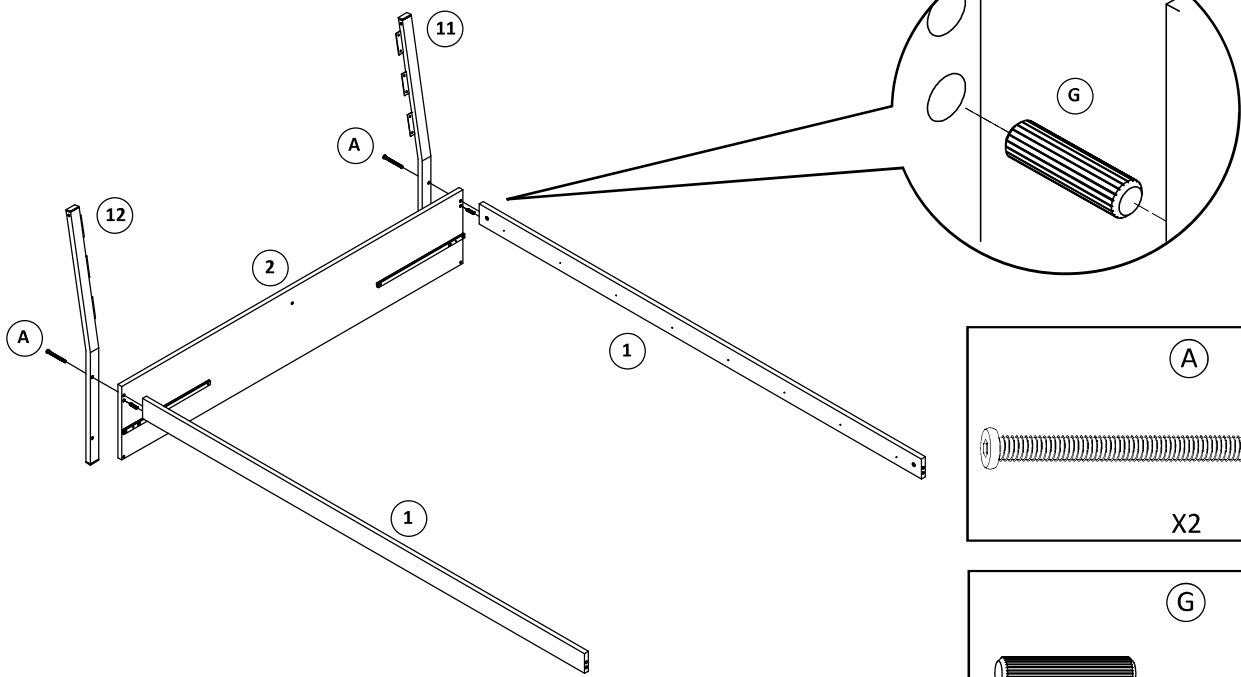
## HARDWARE REQUIRED

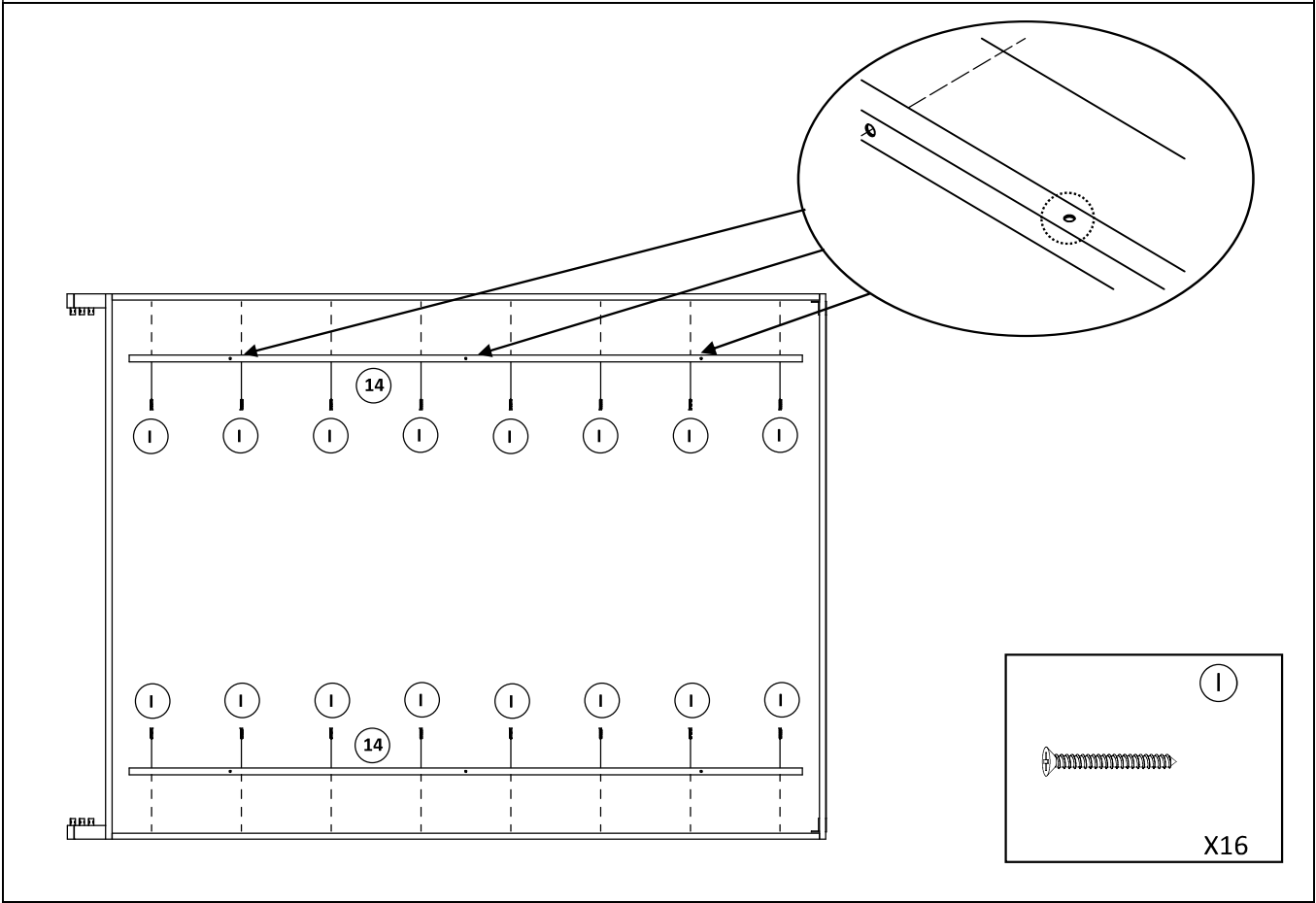
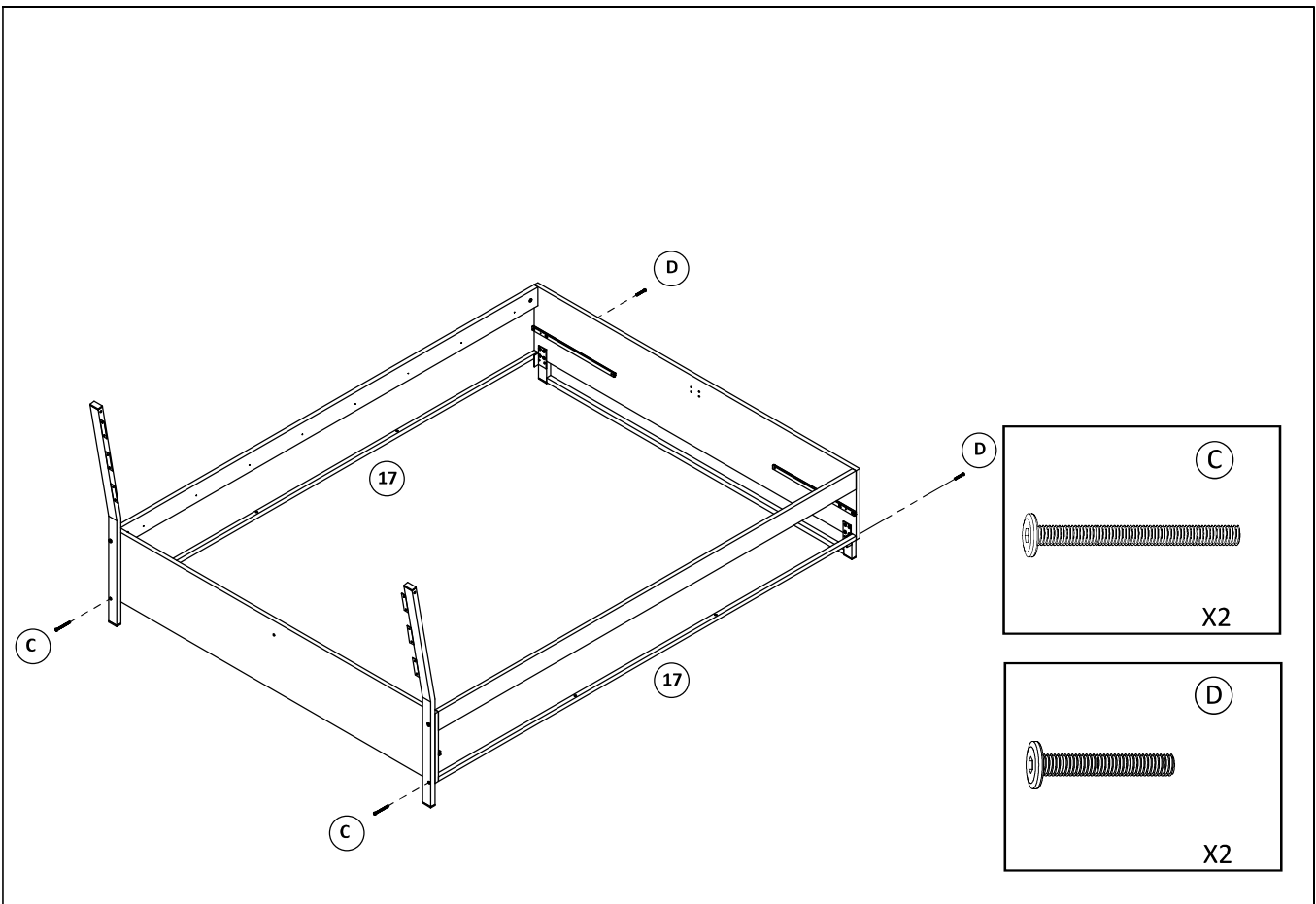
(A)		ALLEN BOLT	M8X80MM	2	PCS
(B)		ALLEN BOLT	M8X63MM	2	PCS
(C)		ALLEN BOLT	M6X63MM	8	PCS
(D)		ALLEN BOLT	M6X38MM	2	PCS
(E)		ALLEN BOLT	M6X12MM	8	PCS
(F)		ALLEN BOLT	M6X35MM	6	PCS
(G)		WOODEN PEG		4	PCS
(H)		HANGER BOLTS	M6X50MM	6	PCS
(I)		PHILLIPS SCREW	M4X38MM	40	PCS
(J)		PHILLIPS SCREW	M6X14MM	36	PCS
(K)		PHILLIPS SCREW	M4X15MM	36	PCS
(L)		PHILLIPS SCREW	M4X21MM	12	PCS
(M)		PHILLIPS SCREW	M4X12MM	12	PCS
(N)		WASHER		12	PCS
(O)		HANDLE		6	PCS
(P)		CROSS HOLE NUT		4	PCS
(Q)		STUD		6	PCS
(R)		ALLEN WRENCH		1	PCS
(S)		ALLEN WRENCH		1	PCS

### Attention

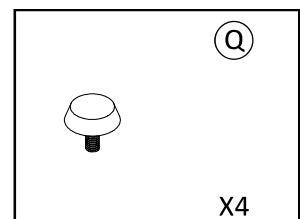
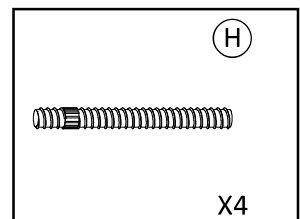
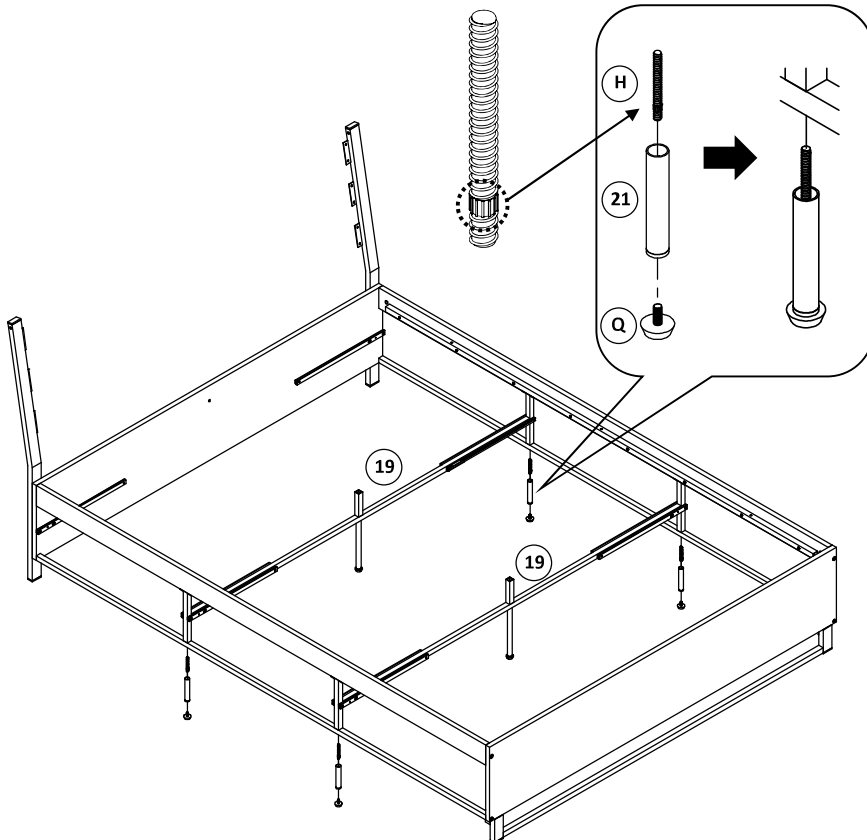
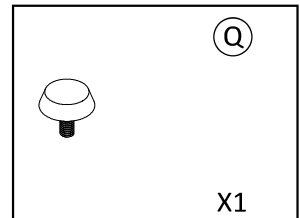
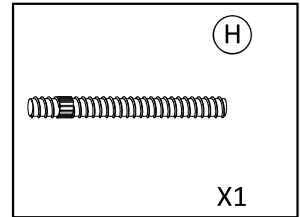
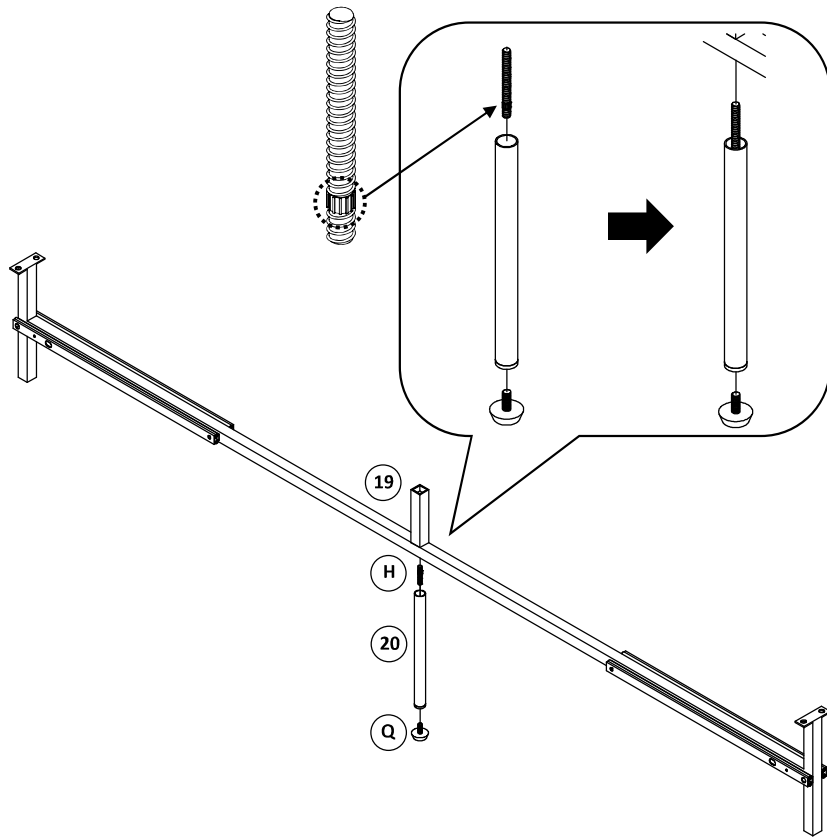
\*\*\*Some number parts listed on the instruction sheet may not be in parts bag as they may already be assembled.  
Carefully check parts and packing materials prior to ordering replacements.

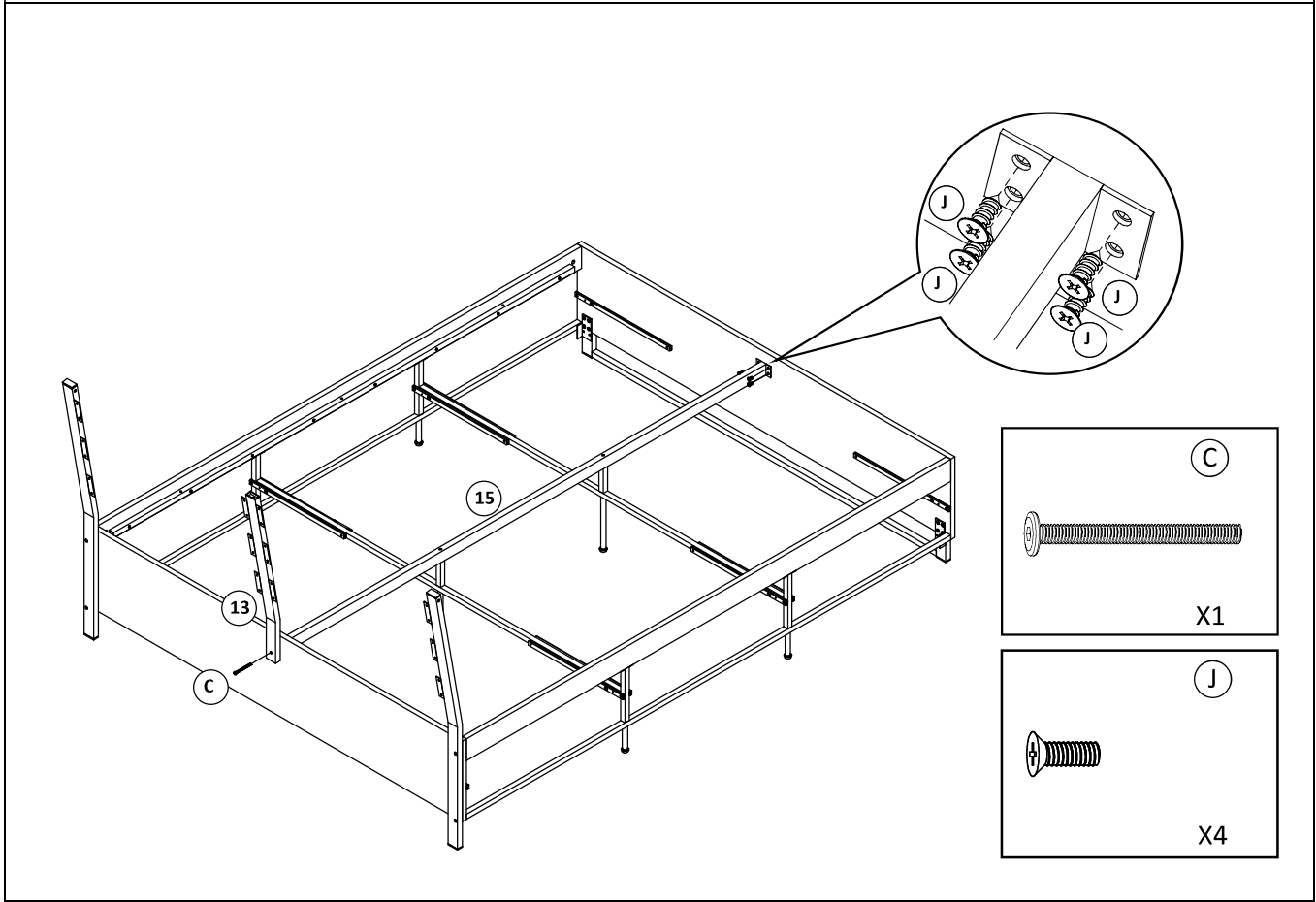
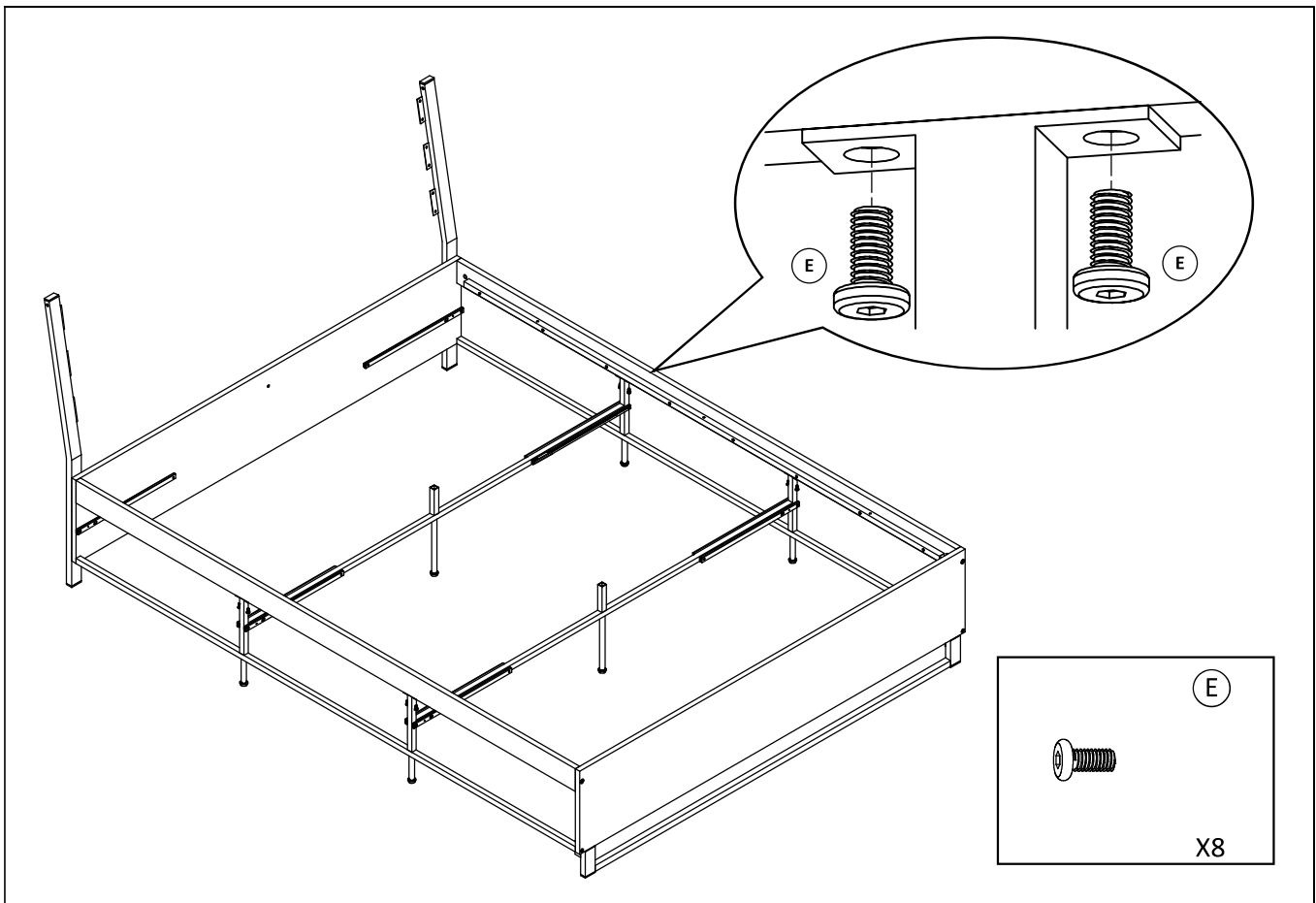


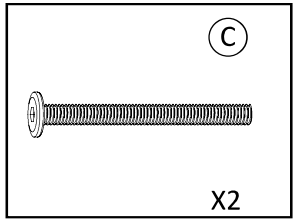
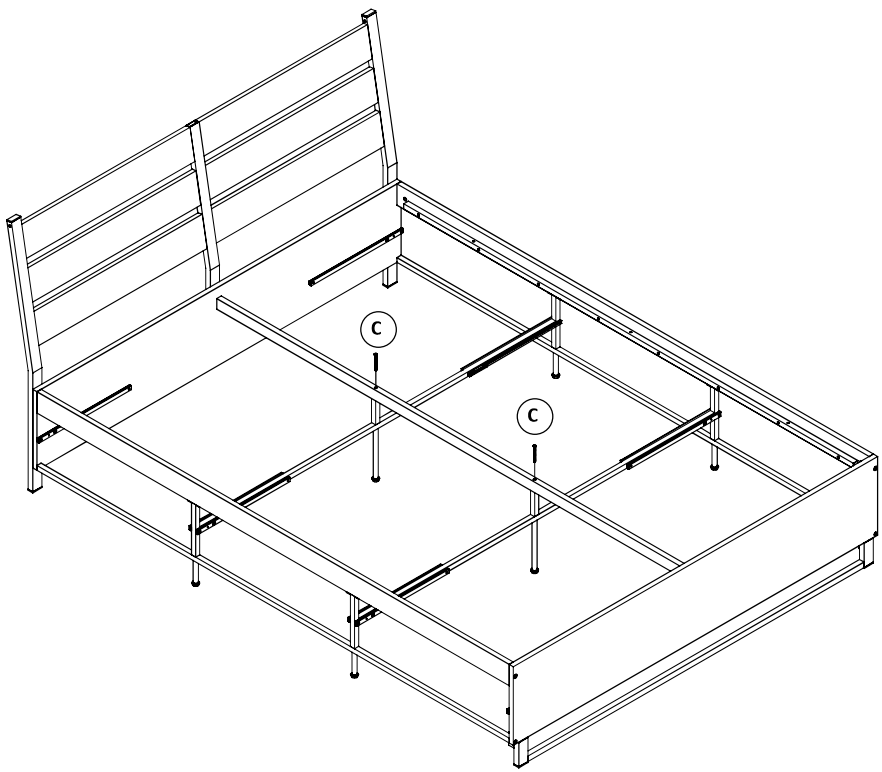
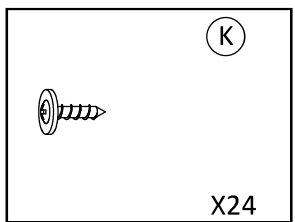
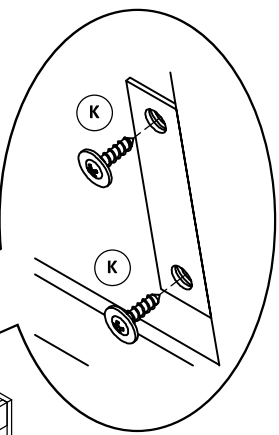
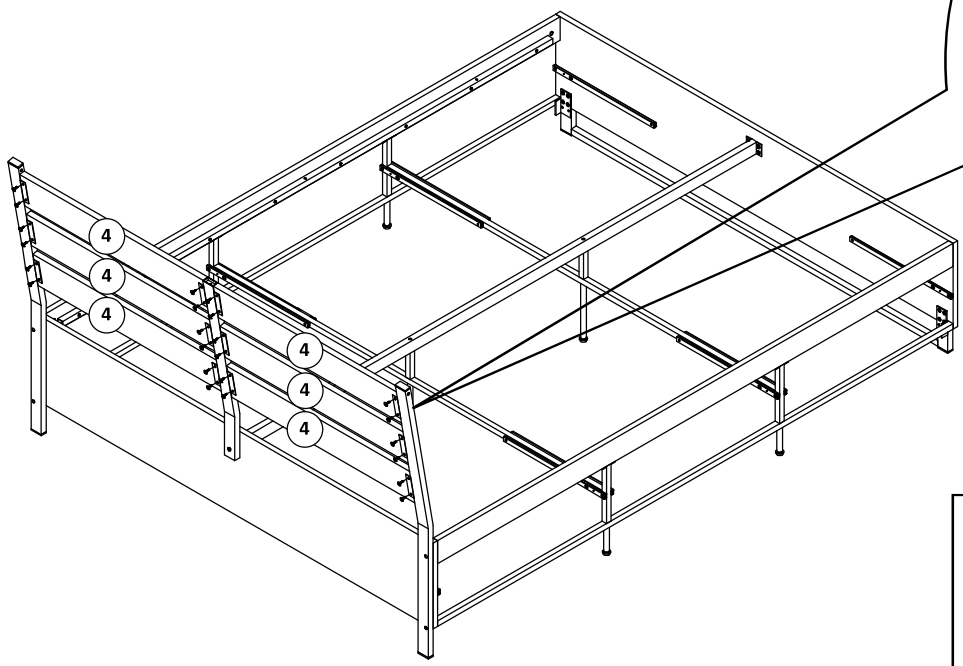


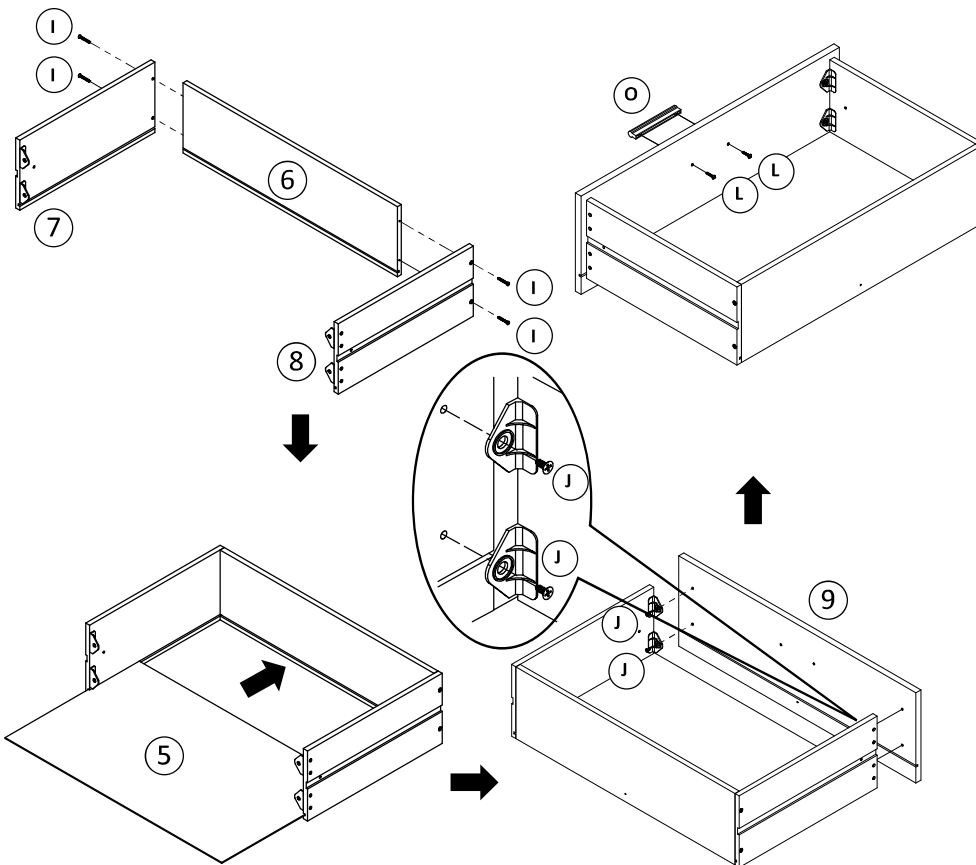
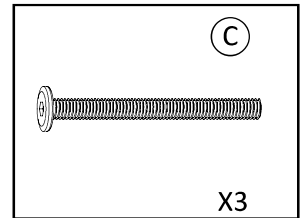
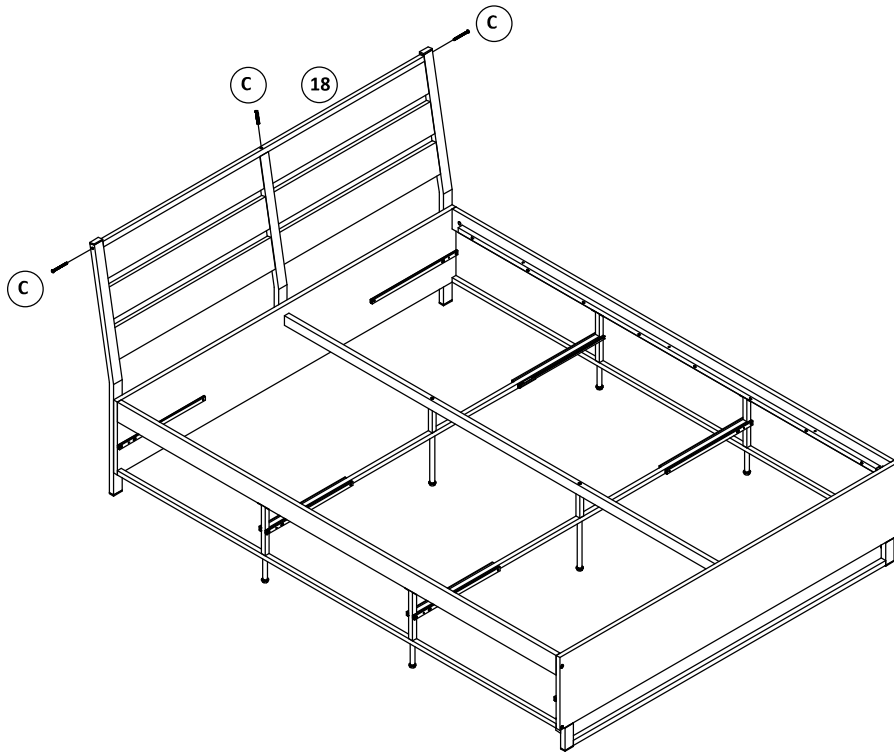


X2

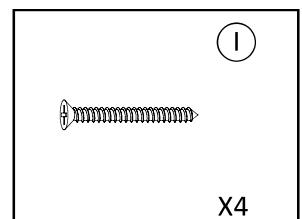
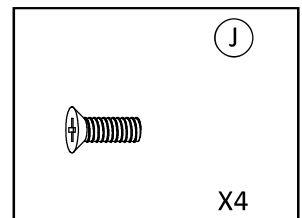
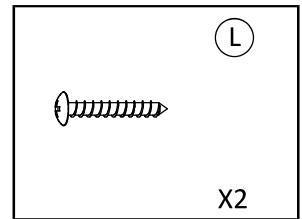








**X6**



X6

