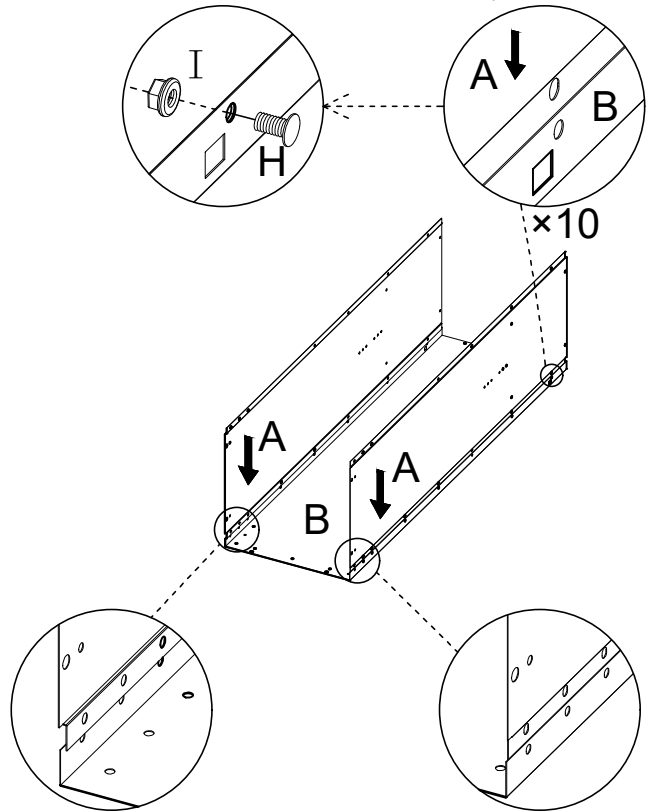


1

Simply overlap two sidewalls A in the channels of the rear wall B and then put ten sets of bolts and nuts to hold it in place.
Note that the side of Part A and Part B with holes in the middle is near the top.

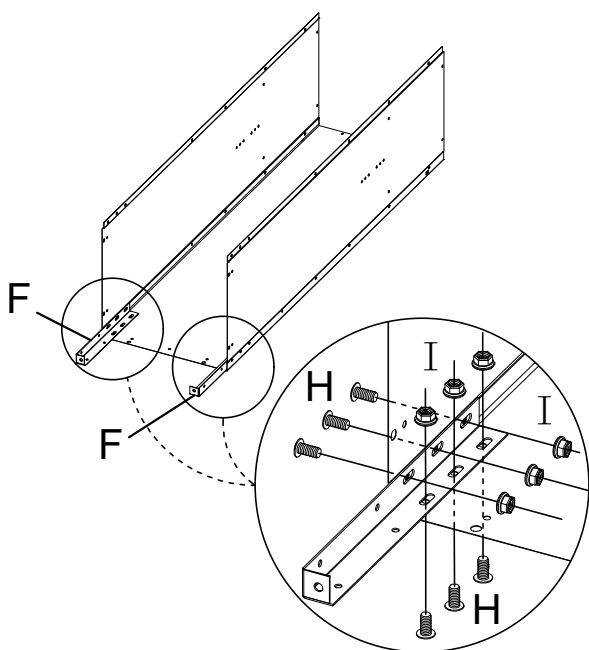


Hx10 Ix10

G		x3	H		x71	I		x71
standby application			J		x1	K		x2

2

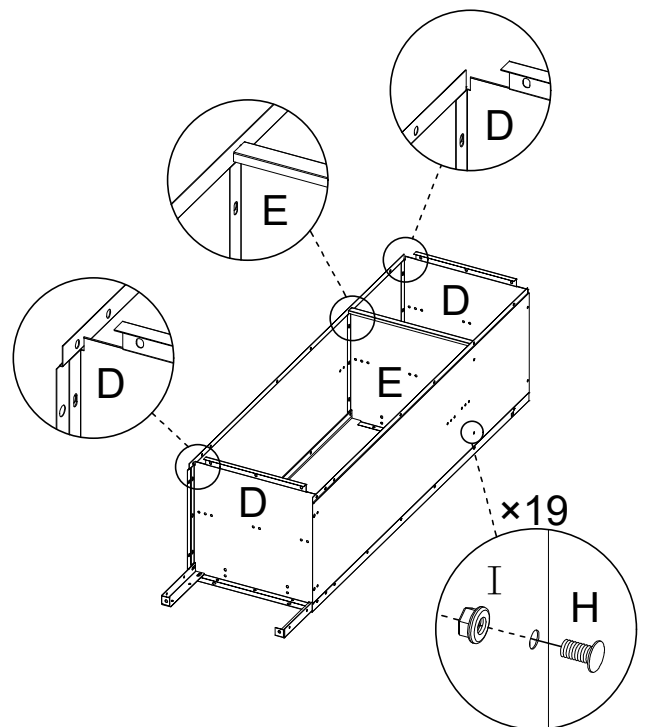
Place the two Parts F on the bottom and secure them in place with six sets of bolts and nuts respectively. Note that before tightening the screws, make sure that the two Parts F are pushed up to the end so that the rear legs are flush with the front legs.



Hx12 Ix12

3

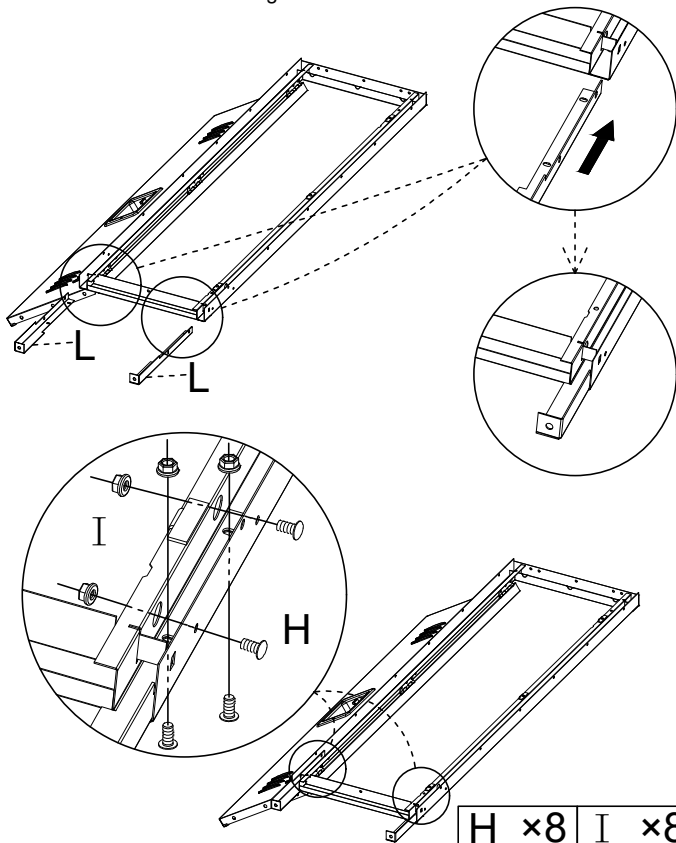
Put in two Parts D and Part E and then secure them in place with the 19 sets of bolts and nuts.



Hx19 Ix19

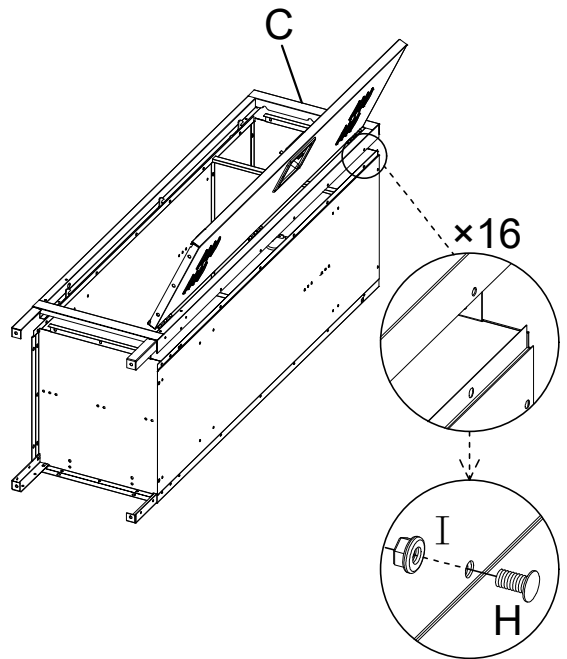
4

Place the two Parts L on the bottom and secure them in place with eight sets of bolts and nuts respectively. Note that before tightening the screws, make sure that the two Parts L are pushed up to the end so that the front legs are flush with the rear legs.



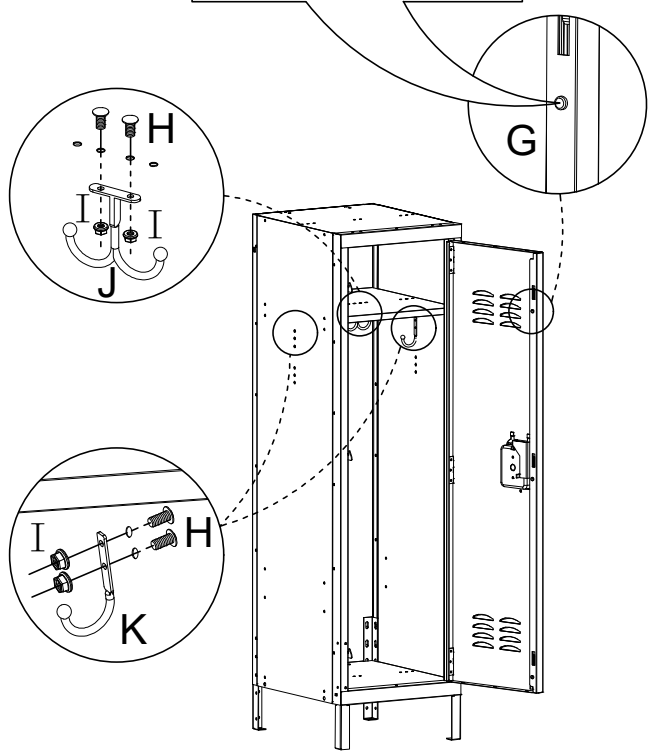
5

Fit Part C to the frame and secure it with 16 sets of bolts and nuts.

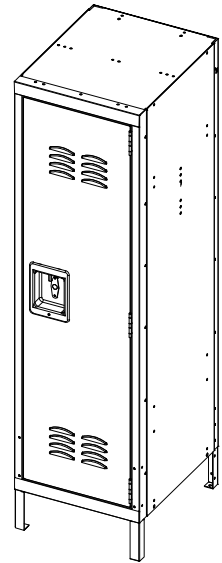


6

If the lock is broken here, replace it with G.



7



H x6 | I x6 | K x2 | J x1