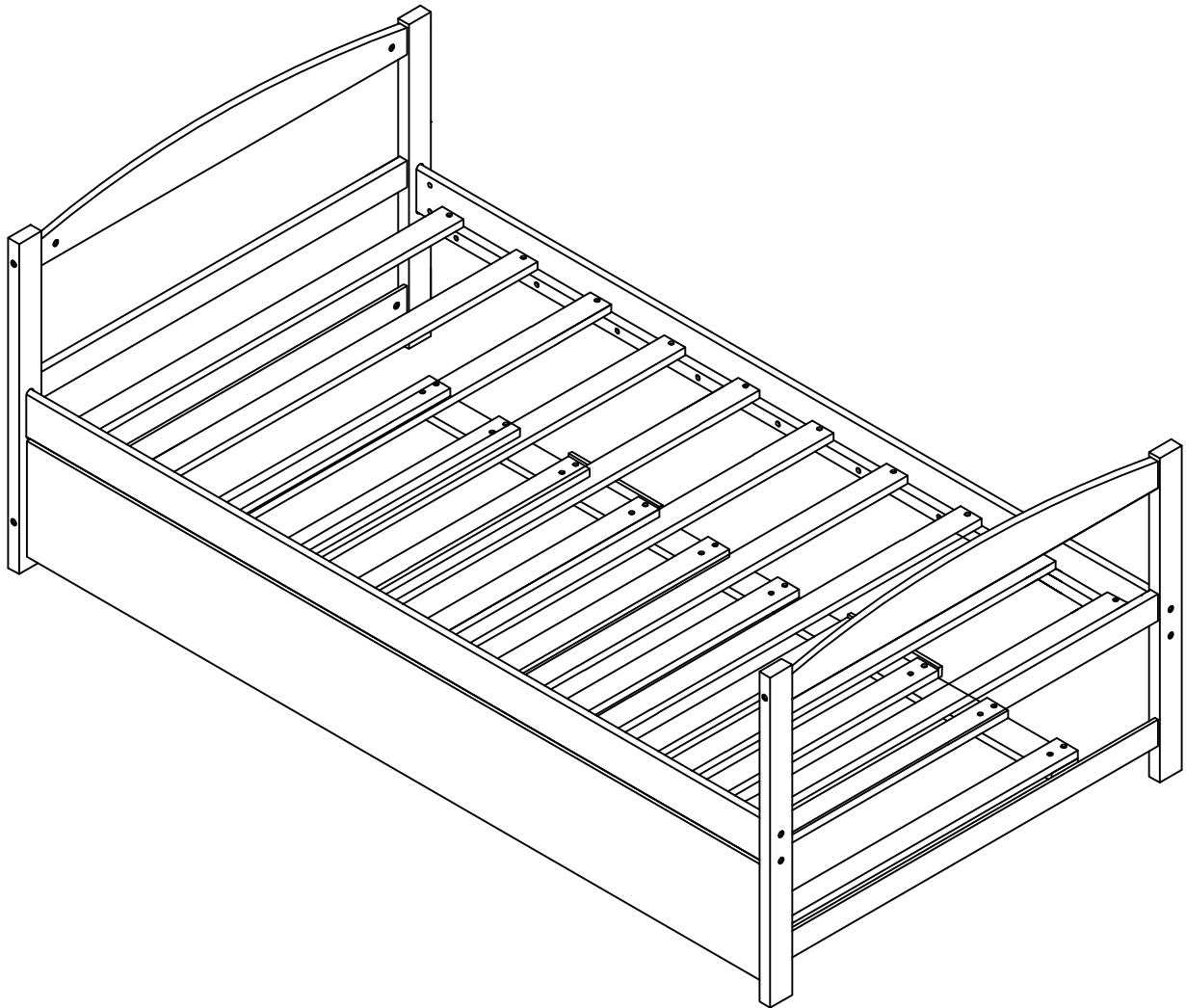
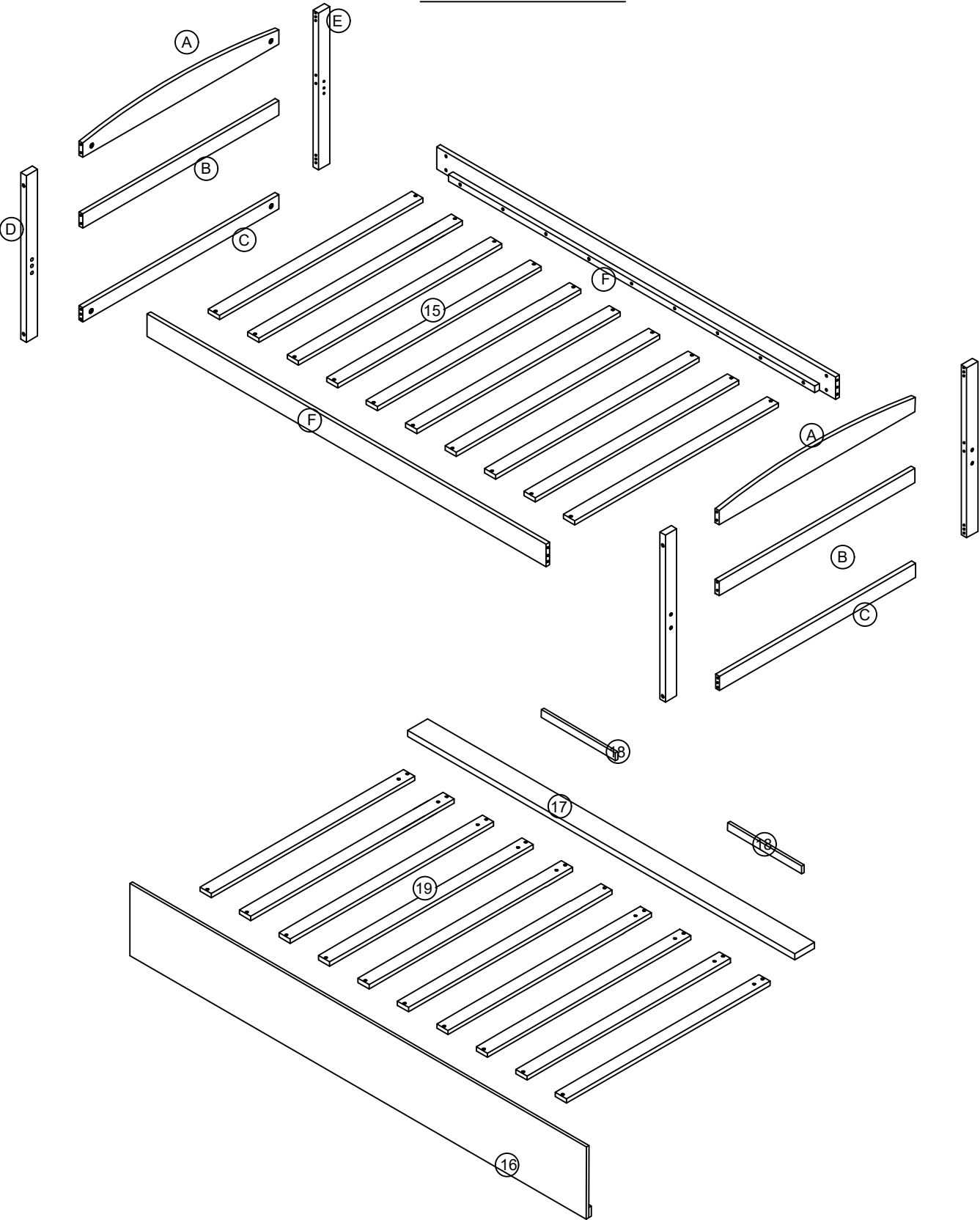


ASSEMBLY INSTRUCTIONS

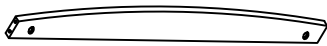
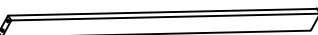
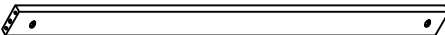
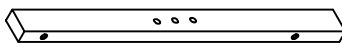
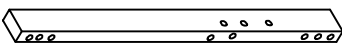

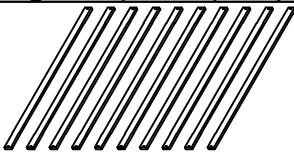
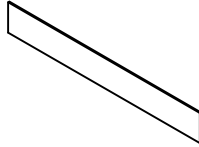

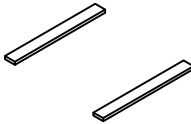

DAY BED WITH TRUNDLE



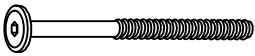
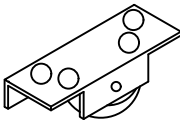



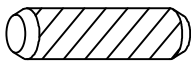

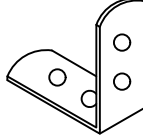
Detail View



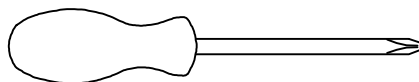
Part List

A 	B 	C 
HB & FB - 2pcs	Side panel - 2pcs	Horizontal bar - 2pcs
D 	E 	F 
Leg left (Front) - 1pc	Leg left (Back) - 1pc	Side rail (Back & Front) - 2pcs
15 	16 	17 
Slats - 1set (10pcs)	Side rail - 1pc	Bottom guard slats - 1pc
18 	19 	
Horizontal guard slats - 2pcs	Slats - 1set (10pcs)	

Hardware List

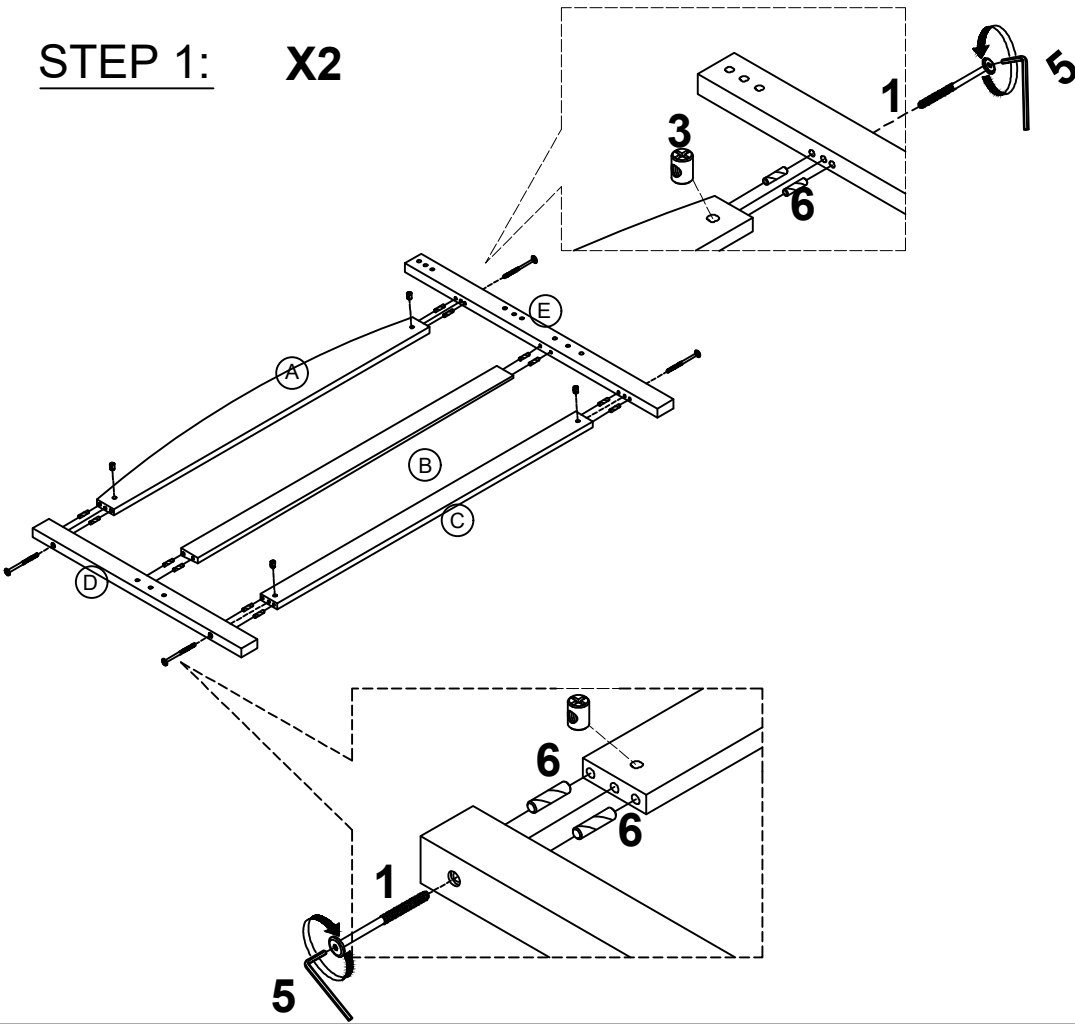
1 	2 	3 
Hex-Head bolts - 16 pcs	Caster - 6 pcs	Horizontal-Hole bolts - 16 pcs
4 	5 	6 
Screws - 54 pcs	Allen key - 2 pcs	Wood dowel - 20 pcs
	8 	9 
	Wheel screws - 36 pcs	Bas - 3 pcs

ASSEMBLY TOOLS REQUIRED (NOT INCLUDED)



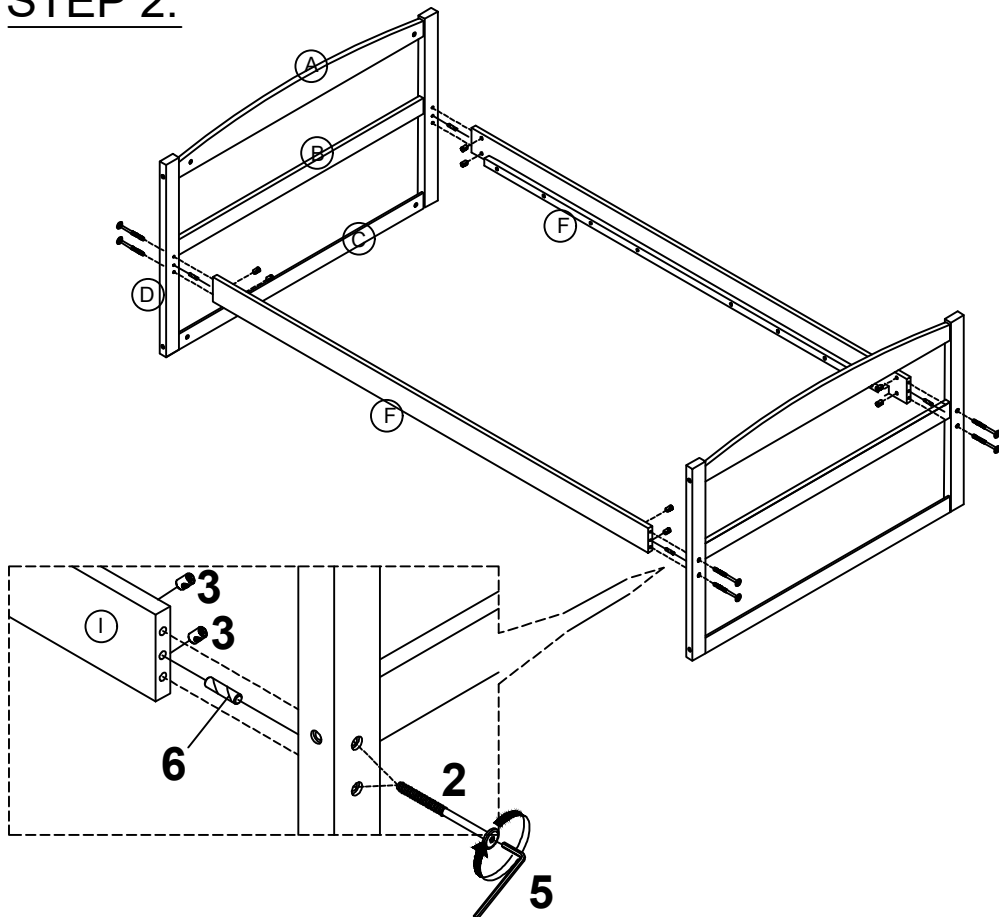
PLEASE BE CAREFUL DO NOT DAMAGE THE HOLE POSITION WHEN YOU USE POWER TOOLS !

STEP 1: X2



1		3	
8 PCS		8 PCS	
6			
24 PCS			

STEP 2:



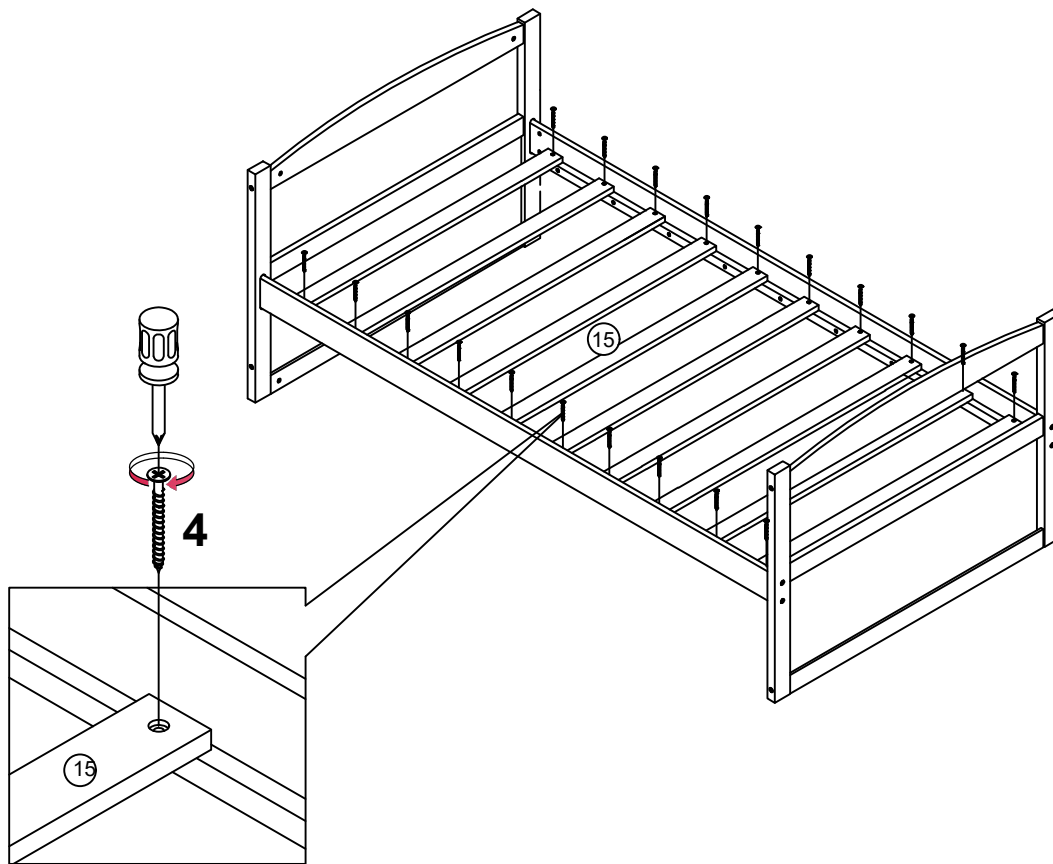
1		3	
8 PCS		8 PCS	
6			
4 PCS			

4

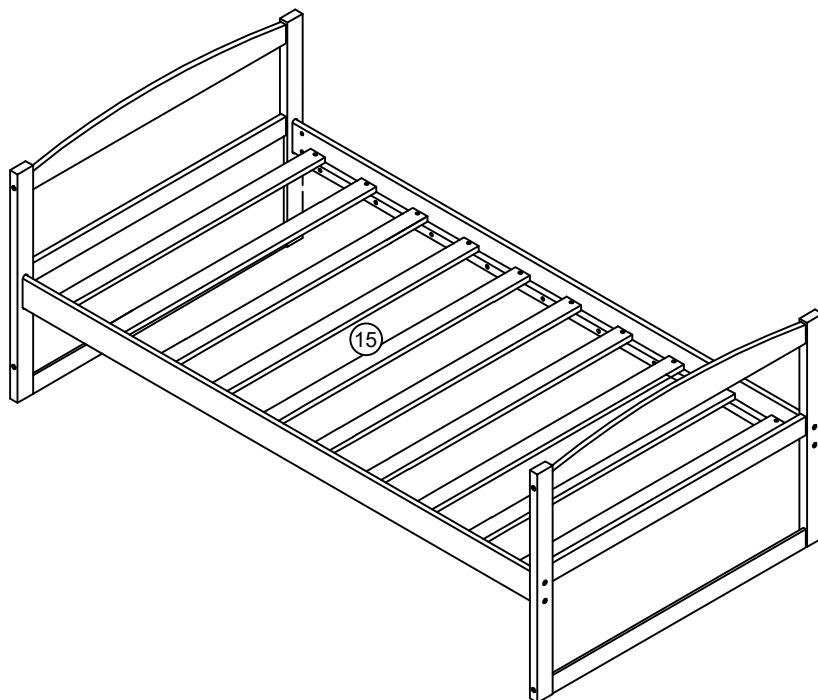


20PCS

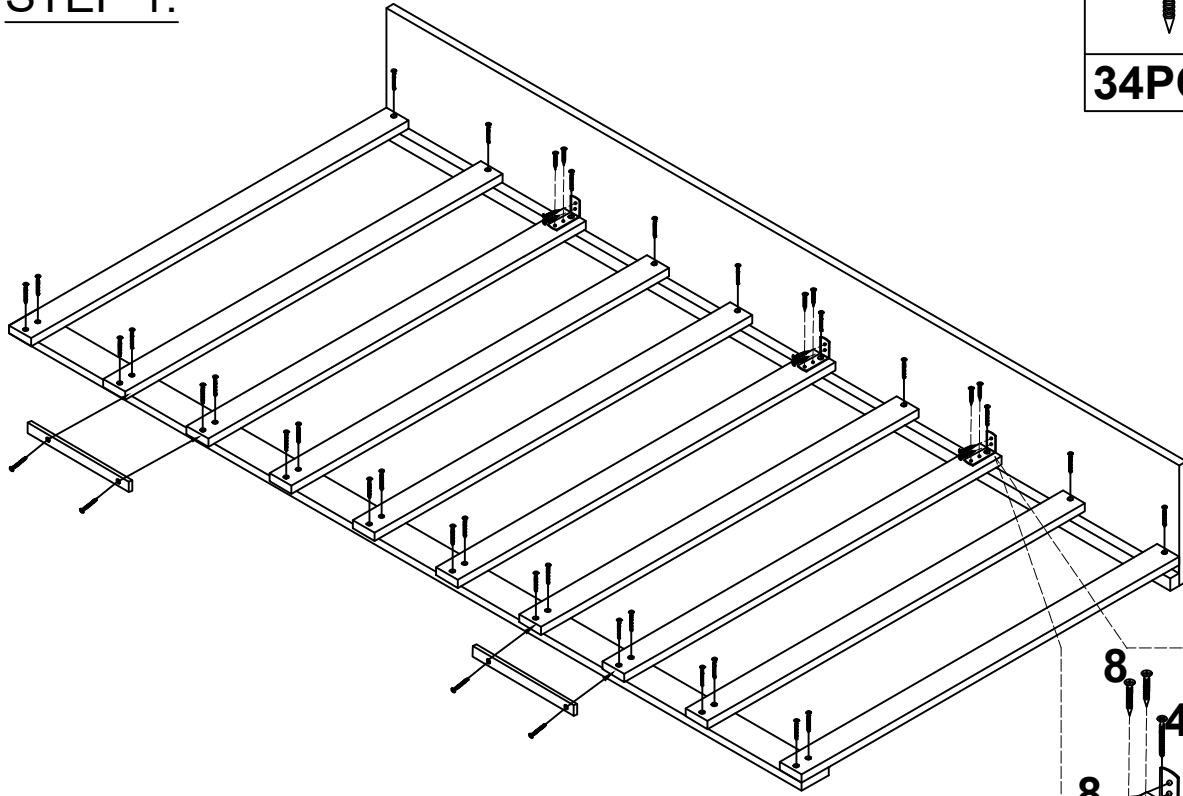
STEP 3:



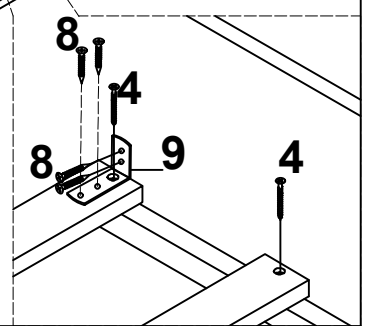
FINISH:



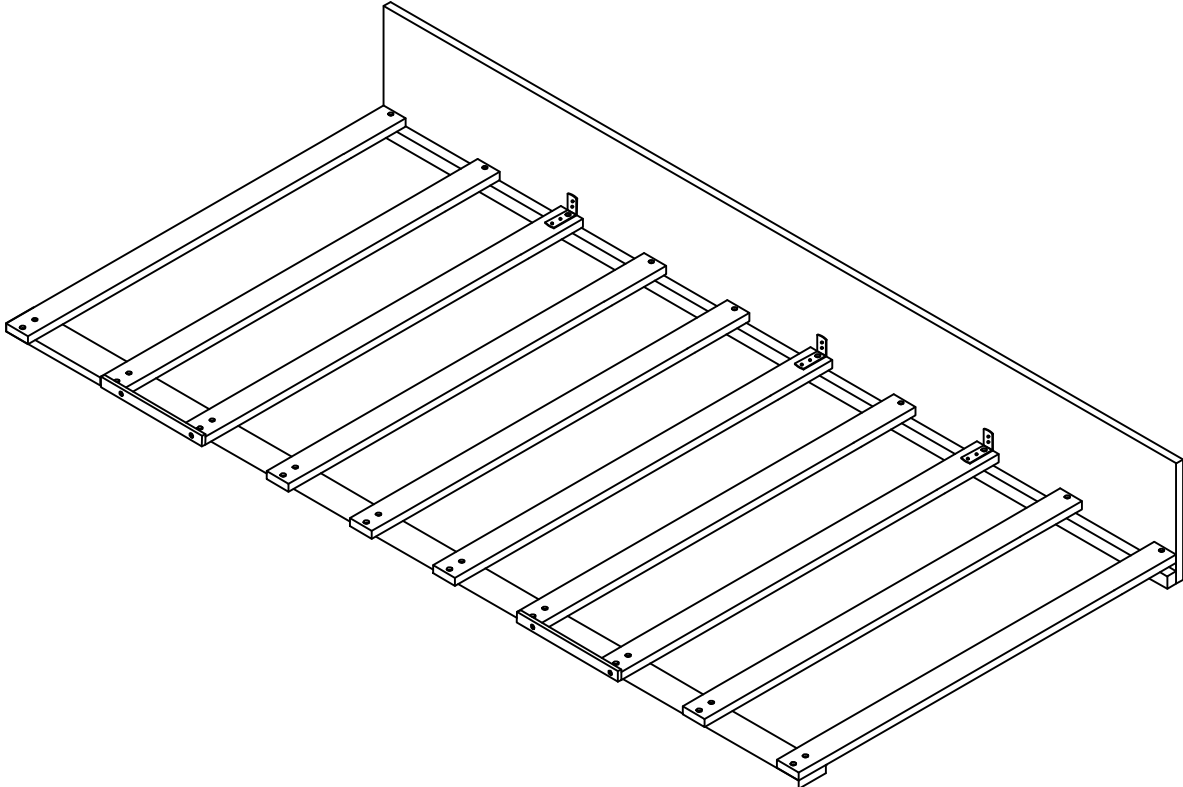
STEP 1:





4	8
34PCS	12PCS
9	
3 PCS	

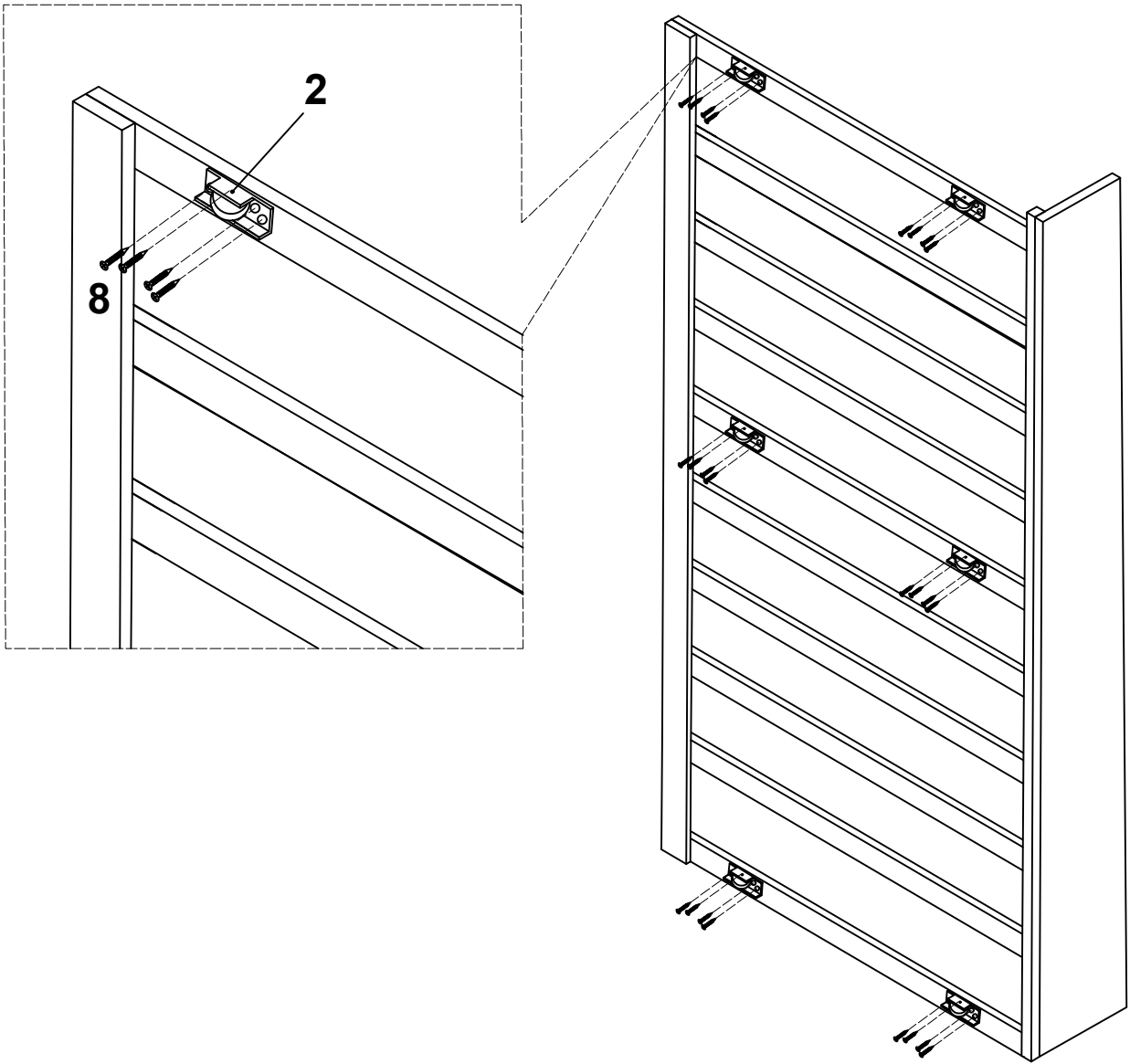


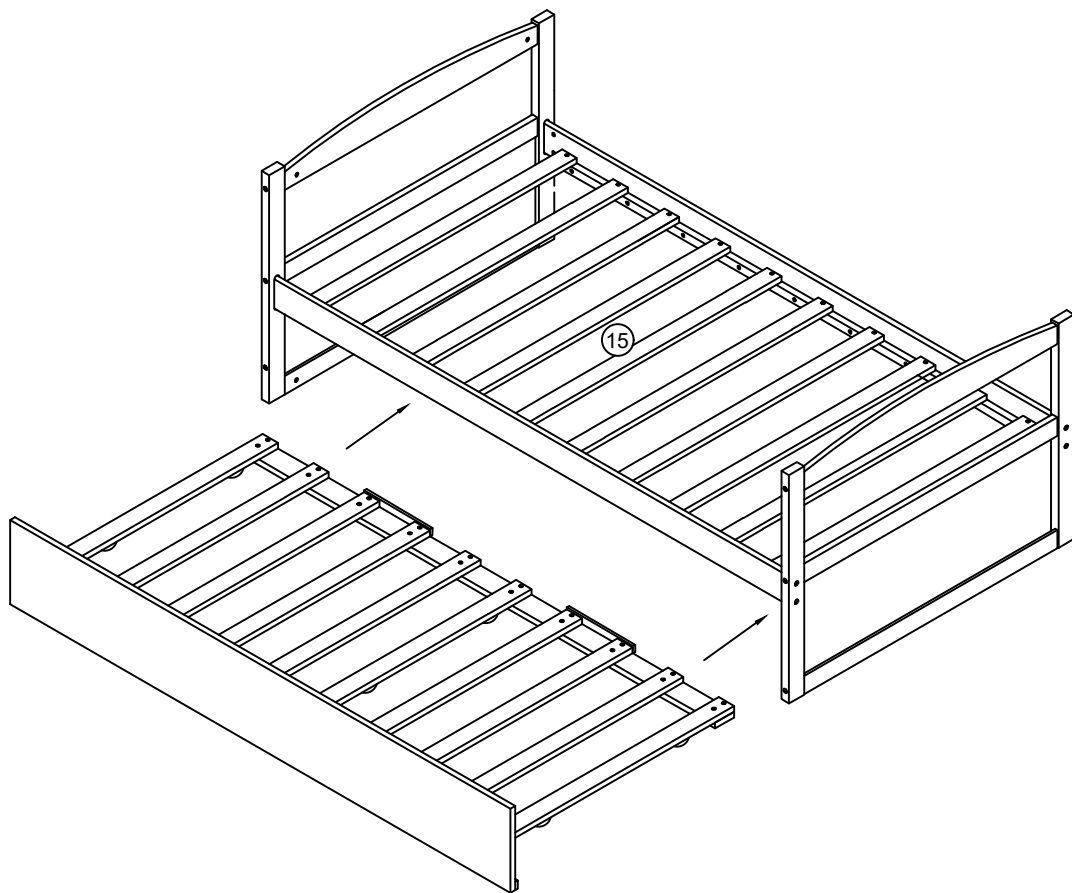
STEP 2:



STEP 3:

2	8
	
6 PCS	24PCS





COMPLETE:

