

ASSEMBLY INSTRUCTIONS

A-32 PCS



B-32 PCS



Cams

C-12 PCS



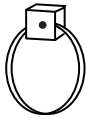
Wooden dowels

D-1 PCS



(18mm)

E-1 PC

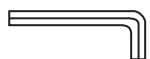


F-4 PCS



(M6×60mm)

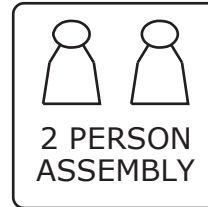
G-1 PC



H-8 PCS



(50mm)



2 PERSON
ASSEMBLY

K-8 PCS



M-16 PCS



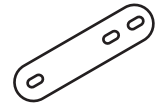
(M3.5×16mm)

N-2 PCS



(14mm)

P-1 PC



Q-1 PC

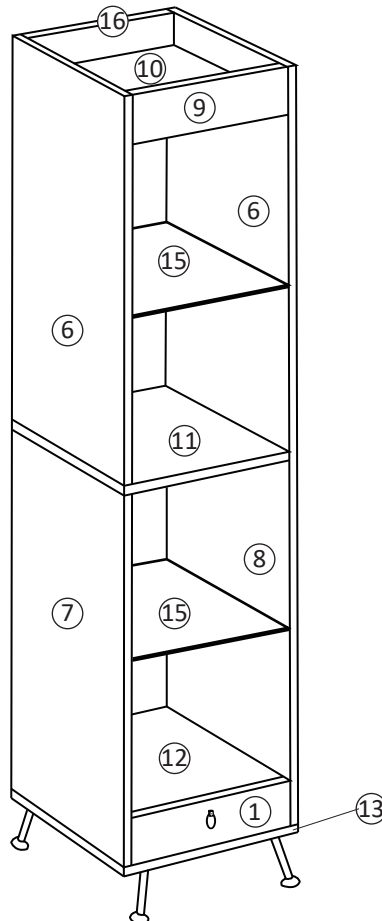


(M6*60mm)

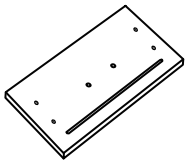
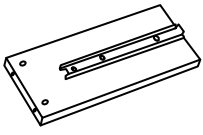
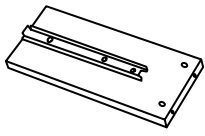
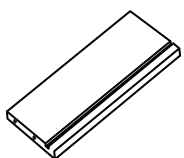
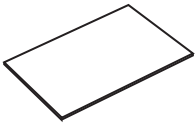
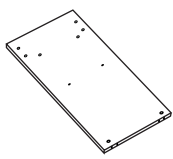
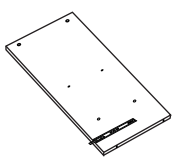
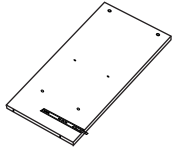
S-1 PC

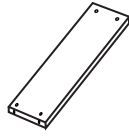
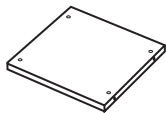
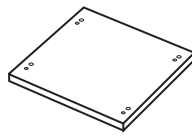
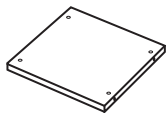
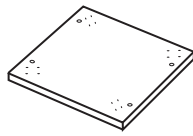

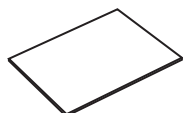
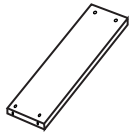


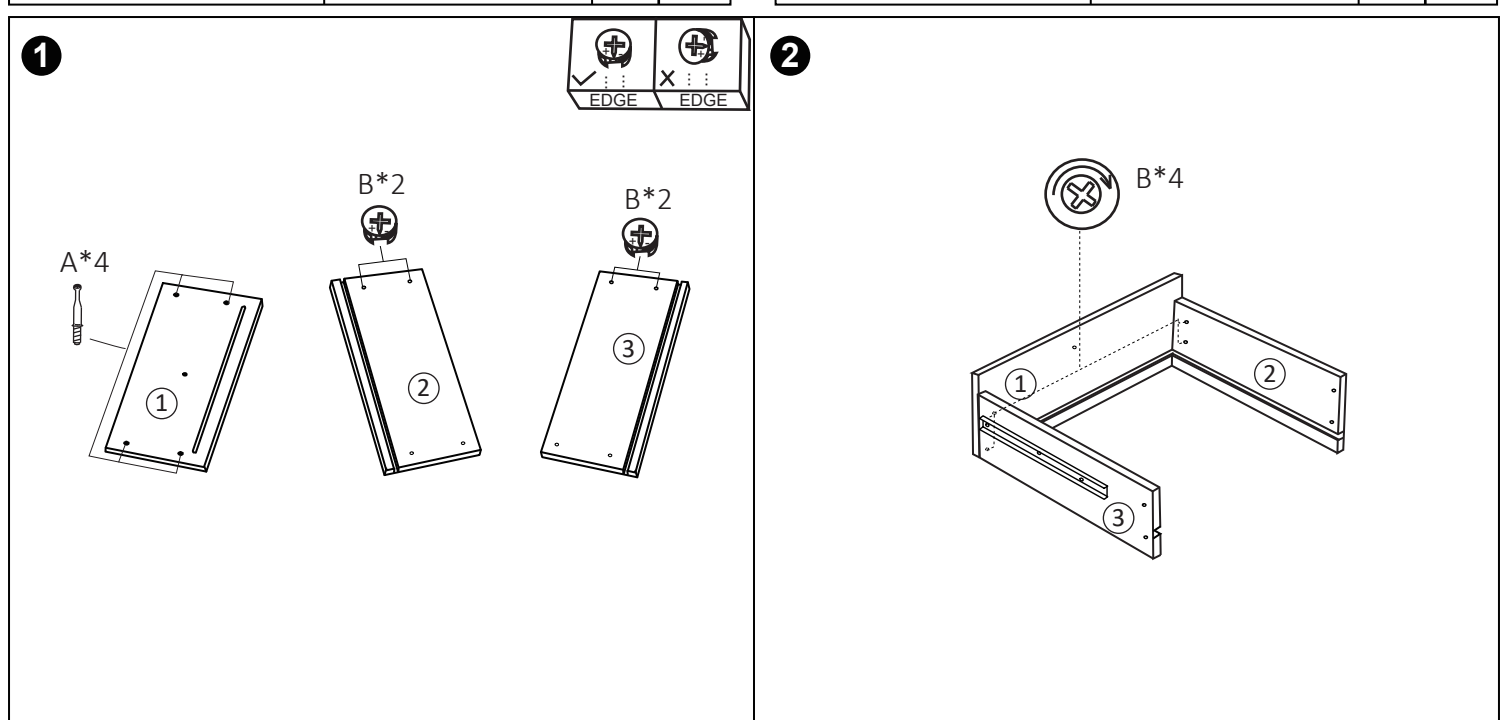
(ϕ 8*60mm)



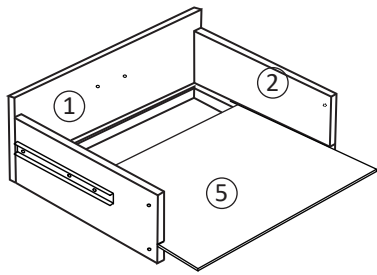
6090-BS807

	362×100×16mm	1	①
	300×70×16mm	1	②
	300×70×16mm	1	③
	366×85×16mm	1	④
	294×319×16mm	1	⑤
	825×256×16mm	2	⑥
	825×256×16mm	1	⑦
	825×256×16mm	1	⑧

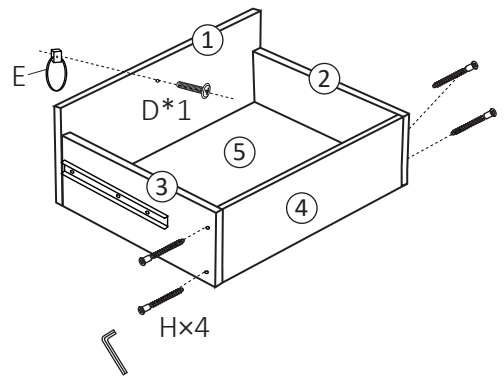
	366×100×16mm	1	⑨
	366×364×16mm	1	⑩
	400×400×16mm	1	⑪
	366×380×16mm	1	⑫
	400×400×16mm	1	⑬
	366×85×16mm	1	⑭
	394×363×5mm	2	⑮
	366×100×16mm	1	⑯



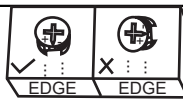
3



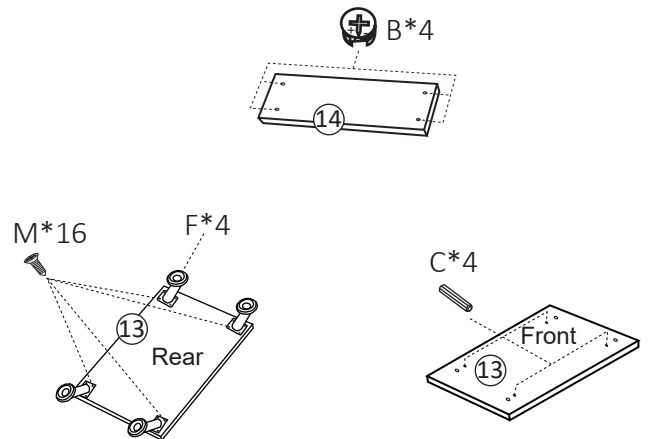
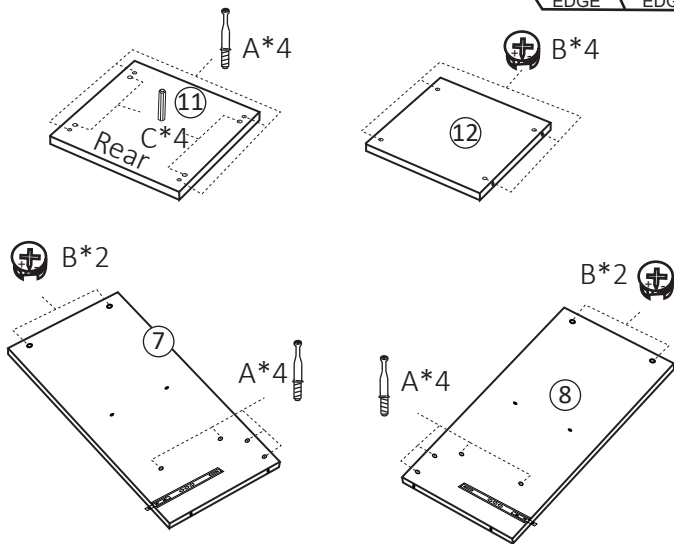
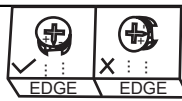
4



5

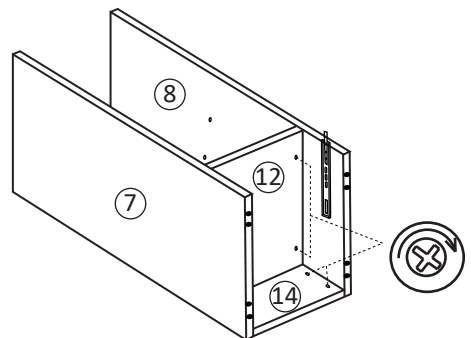
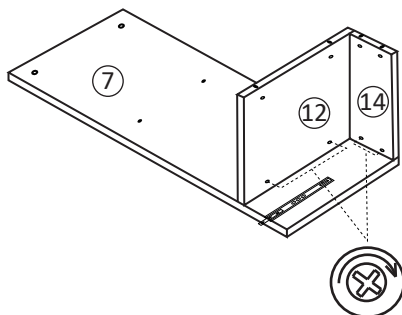


6

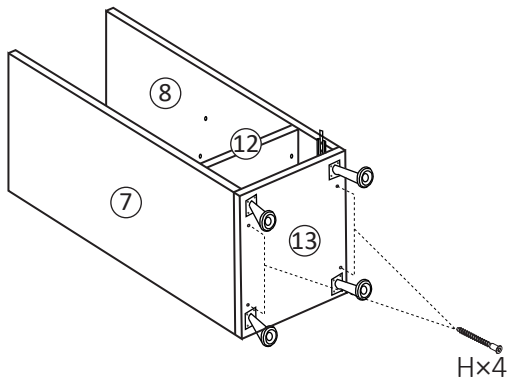


7

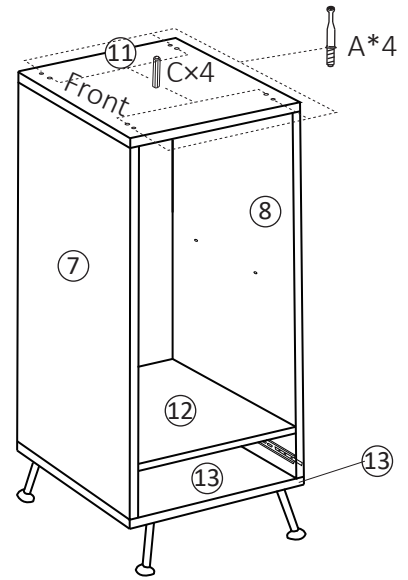
8



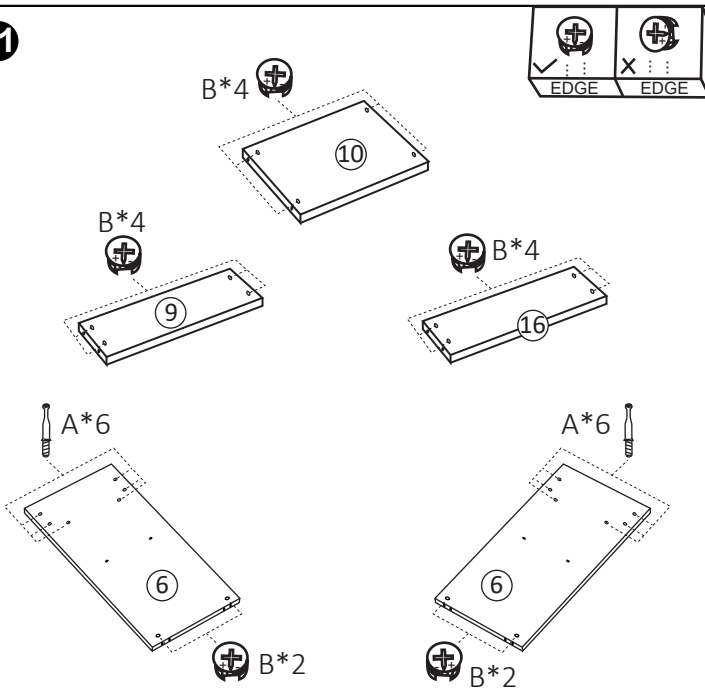
9



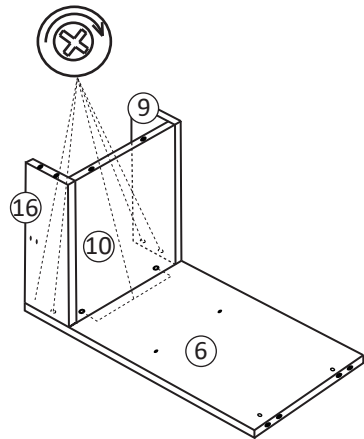
10



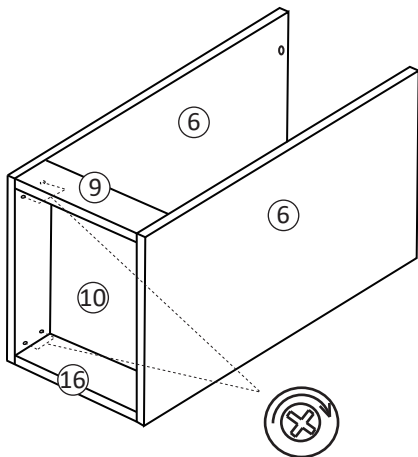
11



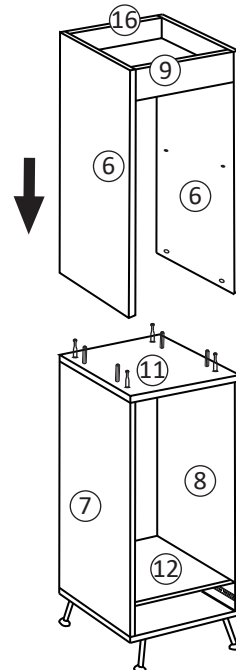
12



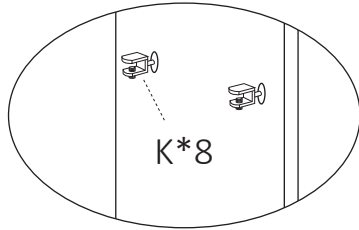
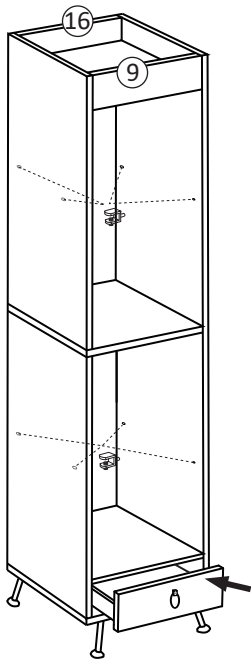
13



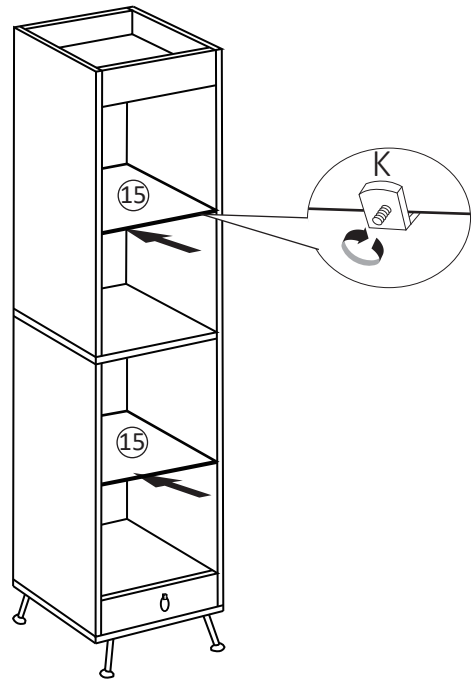
14



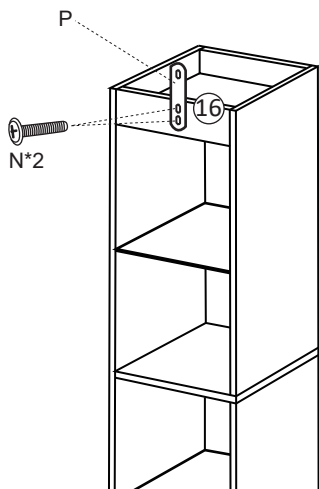
15



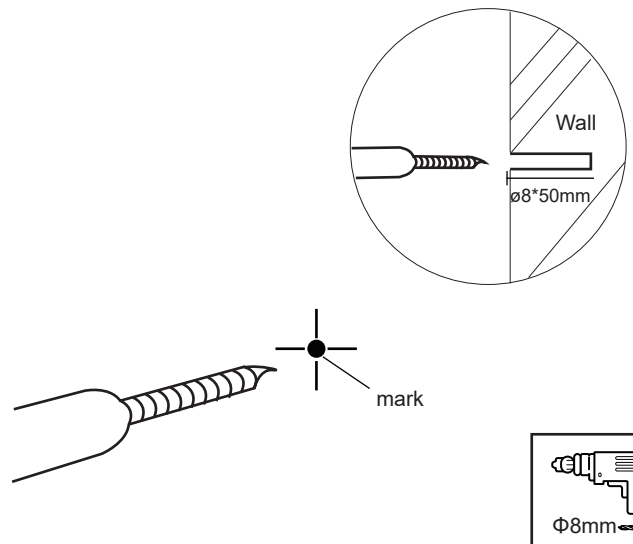
16



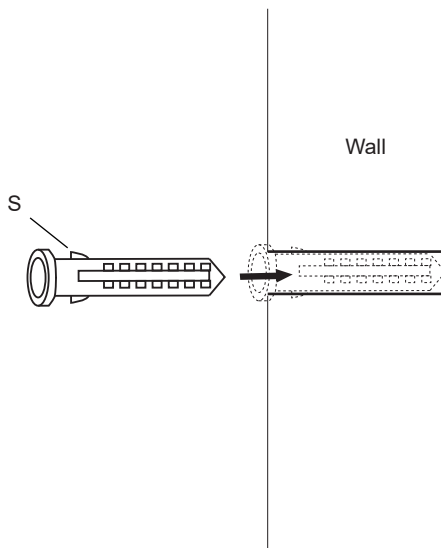
17 Insert 2 x screw N, then make a mark on the wall..



18 Drill into the wall.



19



20

