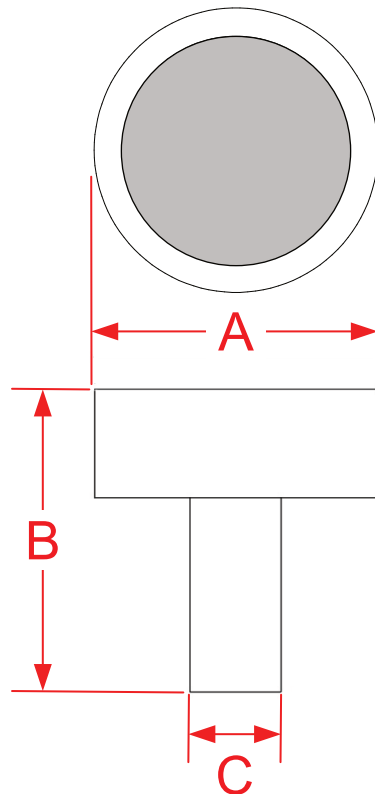


L510, L511 and L512 Cabinet Knobs

Finishes for Life
TANNING-FREE GUARANTEED



Part #	A Diameter	B Projection	C Base
L510	1.0000"	1.1875"	0.3750"
L511	1.2500"	1.1875"	0.3750"
L512	1.5000"	1.1875"	0.3750"
Custom Sizing Available			

The TANNER'S CRAFT™
www.tannerscraft.com
 860.489.9233



A Division of
 Colonial Bronze
 Manufacturing Fine
 Hardware Since 1927