

ASSEMBLY INSTRUCTIONS

Thank you for purchasing this quality Product. Be sure to check all packing material carefully for small parts, which may have come loose inside carton during shipment. Identify and count all parts and compare with the parts list below.
























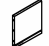





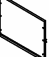

ASSEMBLY INSTRUCTION:

1. Remove hardware from box and sort by size.
2. Please check to see that all hardware and parts are present prior start of assembly.
3. Please follow attached instruction in the same sequence as numbered assure fast and easy assembly.

WARNING!

1. Don't attempt to repair or modify parts that are broken or defective. Please contact the store immediately.
2. This product is for home use only and not intended for commercial establishments.
3. Two persons are required for assembly.
4. Approximate assembly time 1/2 hours.
5. Component parts and fittings contained in the box. Please sort out all parts before you begin to assemble the item. This is to make sure you always use the correct part.
6. It is **STRONGLY RECOMMENDED** that you **ANCHOR** this product to your wall. Tipping furniture can cause serious injuries and death. To prevent your furniture from tipping forward it is strongly recommended that you securely attach this product to a wall or other solid surface, using the anchor straps provided appropriate fixings.

No.	Component	Q'ty
1	 Side Panel-Left	1
2	 Side Panel-Right	1
3	 Middle Panel	1
4	 Bottom Panel	1
5	 Back Panel - Up	1
6	 Back Panel - Low	1
7	 Front Rail - Above	1
8	 Front Rail #1 - Middle	1
9	 Front Rail #2 - Middle	1
10	 Roof Frame	1
11	 Shelf	1
12	 Front Flip down Box	1
13	 Back Flip down Box	1
14	 Door - Left	1
15	 Door - Right	1

No.	Component	Q'ty
16	 Front Drawer Panel - Up	1
17	 Back Drawer Panel - Up	1
18	 Sides Drawer Panel - Up (L)	1
19	 Sides Drawer Panel - Up (R)	1
20	 Bottom Drawer Panel	3
21	 Front Drawer Panel - Middle	1
22	 Back Drawer Panel - Middle	1
23	 Sides Drawer Panel - Middle (L)	1
24	 Sides Drawer Panel - Middle (R)	1
25	 Front Drawer Panel - Bottom	1
26	 Back Drawer Panel - Bottom	1
27	 Sides Drawer Panel - Bottom (L)	1
28	 Sides Drawer Panel - Bottom (R)	1
29	 Sink	1

ASSEMBLY INSTRUCTIONS

Thank you for purchasing this quality Product. Be sure to check all packing material carefully for small parts, which may have come loose inside carton during shipment. Identify and count all parts and compare with the parts list below.










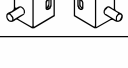






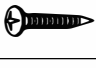



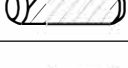
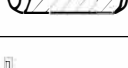


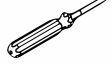
ASSEMBLY INSTRUCTION:

1. Remove hardware from box and sort by size.
2. Please check to see that all hardware and parts are present prior start of assembly.
3. Please follow attached instruction in the same sequence as numbered assure fast and easy assembly.

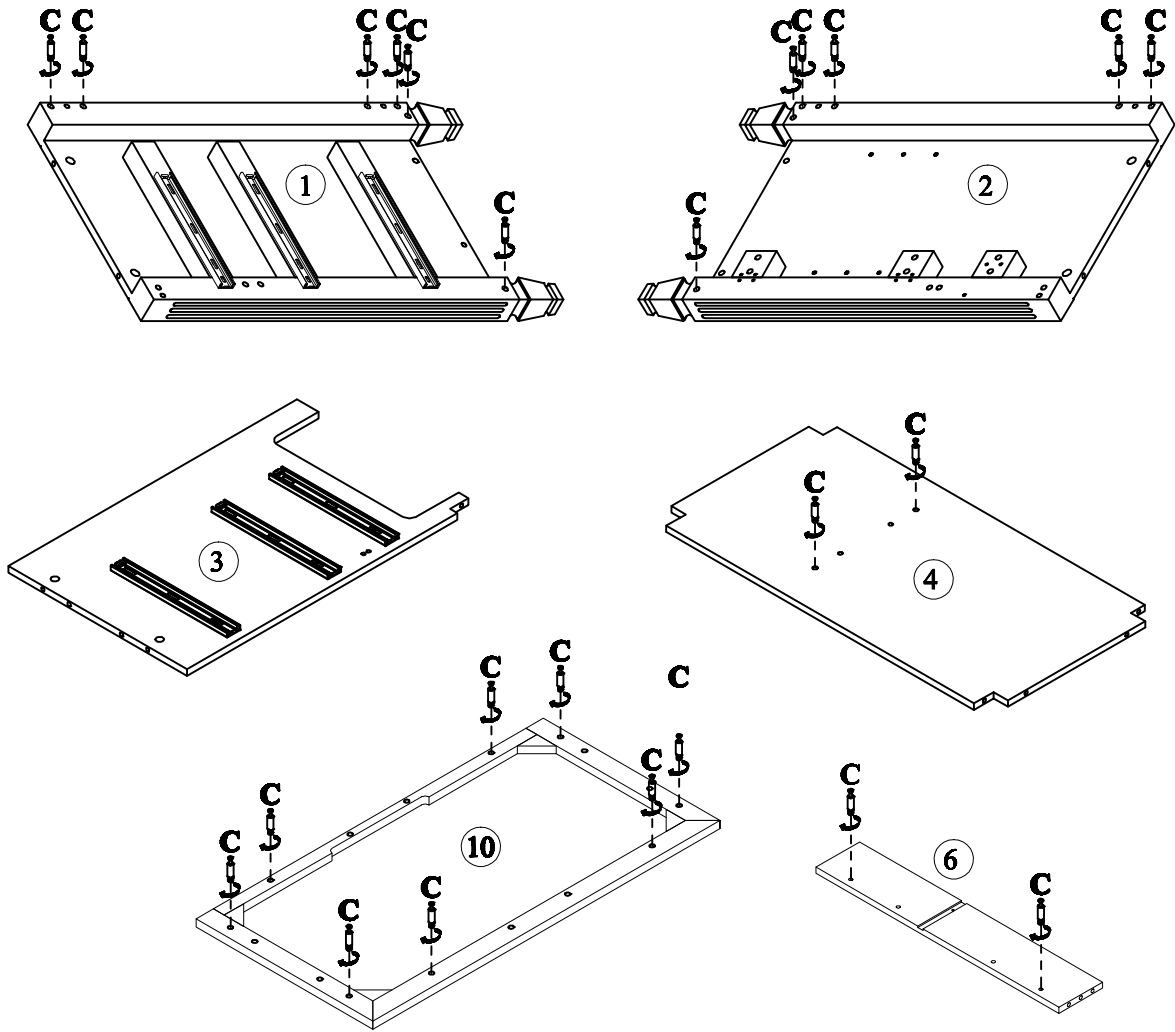
WARNING!

1. Don't attempt to repair or modify parts that are broken or defective. Please contact the store immediately.
2. This product is for home use only and not intended for commercial establishments.
3. Two persons are required for assembly.
4. Approximate assembly time 1/2 hours.
5. Component parts and fittings contained in the box. Please sort out all parts before you begin to assemble the item. This is to make sure you always use the correct part.
6. It is **STRONGLY RECOMMENDED** that you **ANCHOR** this product to your wall. Tipping furniture can cause serious injuries and death. To prevent your furniture from tipping forward it is strongly recommended that you securely attach this product to a wall or other solid surface, using the anchor straps provided appropriate fixings.

No.	Hardware	Q'ty
A	 Screws $\phi 5/32" \times 28\text{mm}$	5
B	 Flat Washers $1/4" \times 16 \times 1$	5
C	 Cam Lock Screws	24
D	 Cam Lock	24
E	 Handle	3
F	 Handle	3
G	 Screws $\phi 5/32" \times 25\text{mm}$	7
H	 Screws $\phi 5/32" \times 19\text{mm}$	2
I	 Rod Support hinges - Right	1
J	 Swivel Hinges (L/R)	2

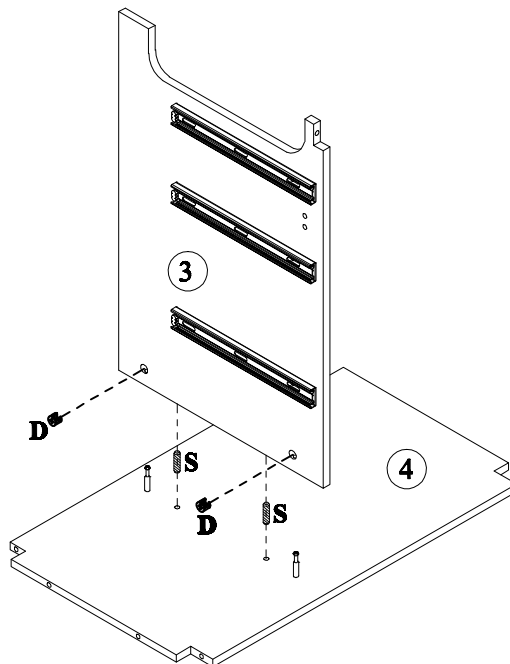
No.	Hardware	Q'ty
K	 Screws $\phi 6 \times 3 \times 12\text{mm}$	8
L	 Hinges	4
M	 Screws $\phi 7 \times \phi 3.5 \times 12\text{mm}$	24
N	 Shelf Support	4
O	 Screws $\phi 7 \times \phi 3.5 \times 12\text{mm}$	4
P	 Screws $\phi 8 \times \phi 4 \times 25\text{mm}$	2
Q	 Screws $\phi 8 \times \phi 4 \times 19\text{mm}$	2
R	 Screws $\phi 8 \times \phi 4 \times 32\text{mm}$	24
S	 Wooden $\phi 8 \times 30\text{mm}$	27
T	 Wooden $\phi 6 \times 30\text{mm}$	12
U	 Allen key	1
V	 Anti fall hardware (sets)	1
 Not Included		

Step 1



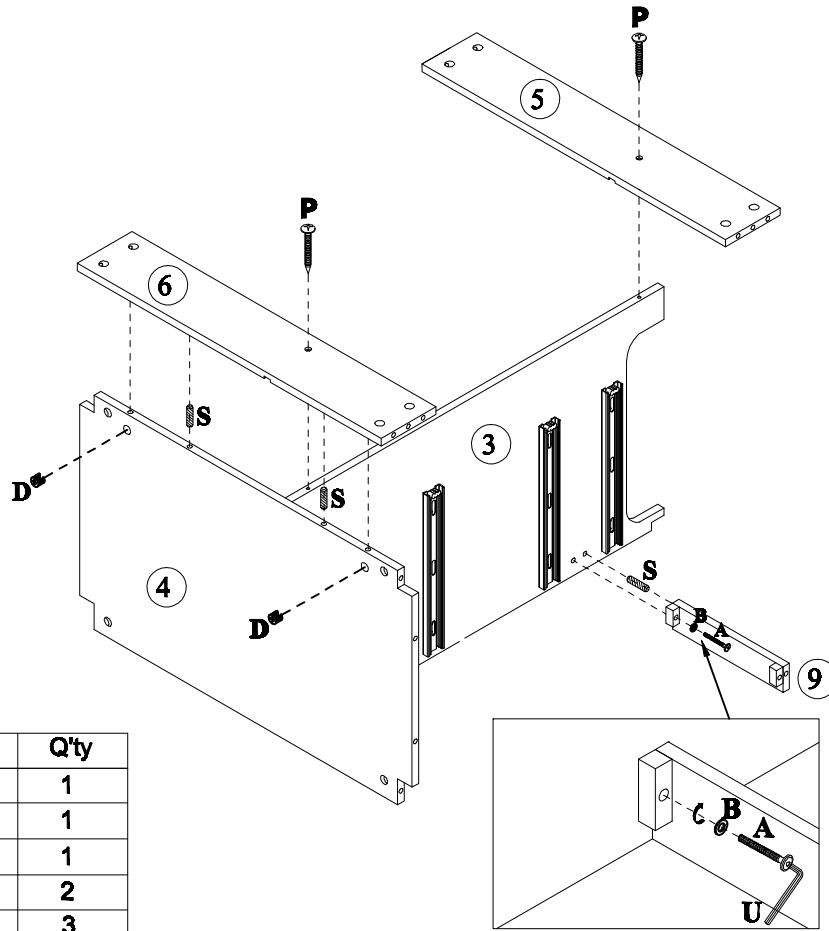
No	Hardware	Q'ty
C	Cam Lock Screws	24

Step 2



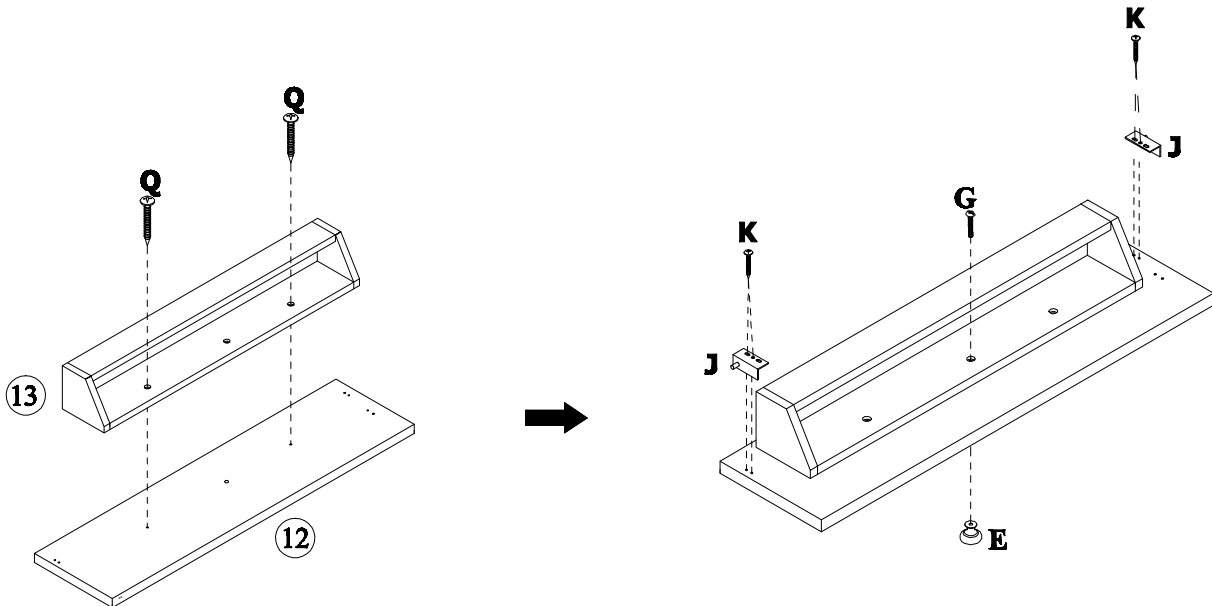
No	Hardware	Q'ty
D	Cam Lock	2
S	Wooden ø8x30mm	2

Step 3



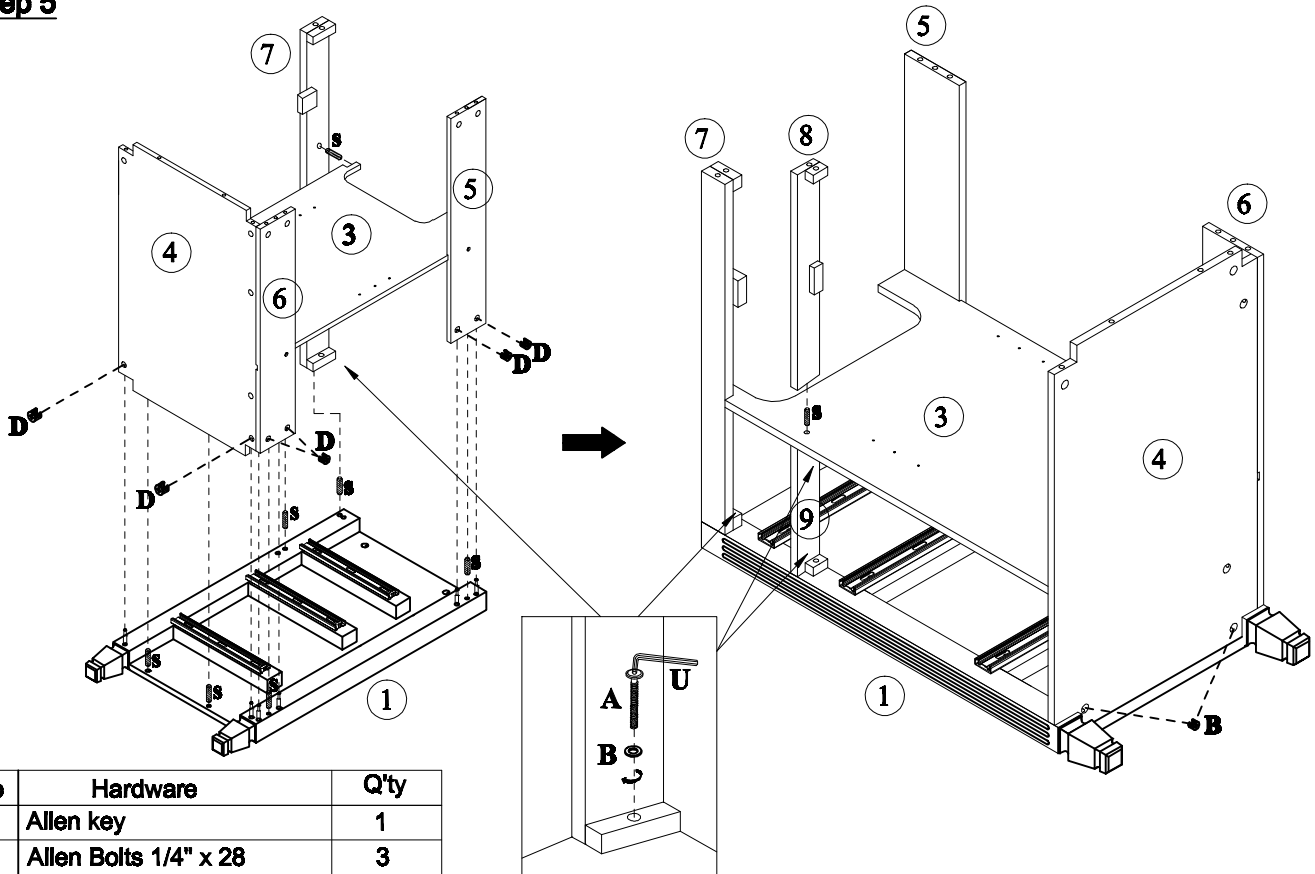
No	Hardware	Q'ty
U	Allen key	1
A	Allen Bolts 1/4" x 28	1
B	Flat Washers 1/4"x16x1	1
D	Cam Lock	2
S	Wooden $\varnothing 8 \times 30 \text{mm}$	3
P	Screws $\varnothing 8 \times \varnothing 4 \times 25 \text{mm}$	2

Step 4



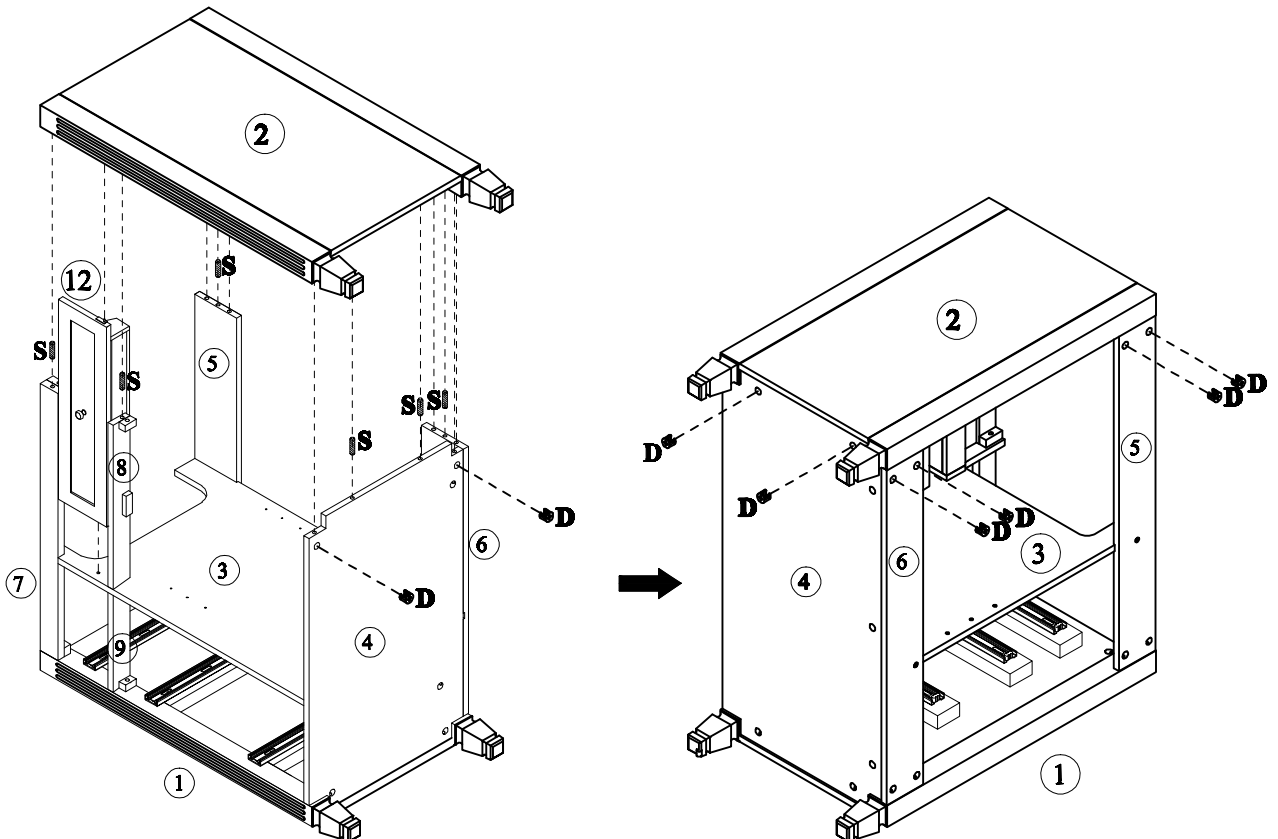
No	Hardware	Q'ty
G	Screws $\varnothing 5/32" \times 25 \text{mm}$	1
E	Handle	1
J	Swivel Hinges (L/R)	2
K	Screws $\varnothing 6 \times \varnothing 3 \times 12 \text{mm}$	4
Q	Screws $\varnothing 8 \times \varnothing 4 \times 19 \text{mm}$	2

Step 5



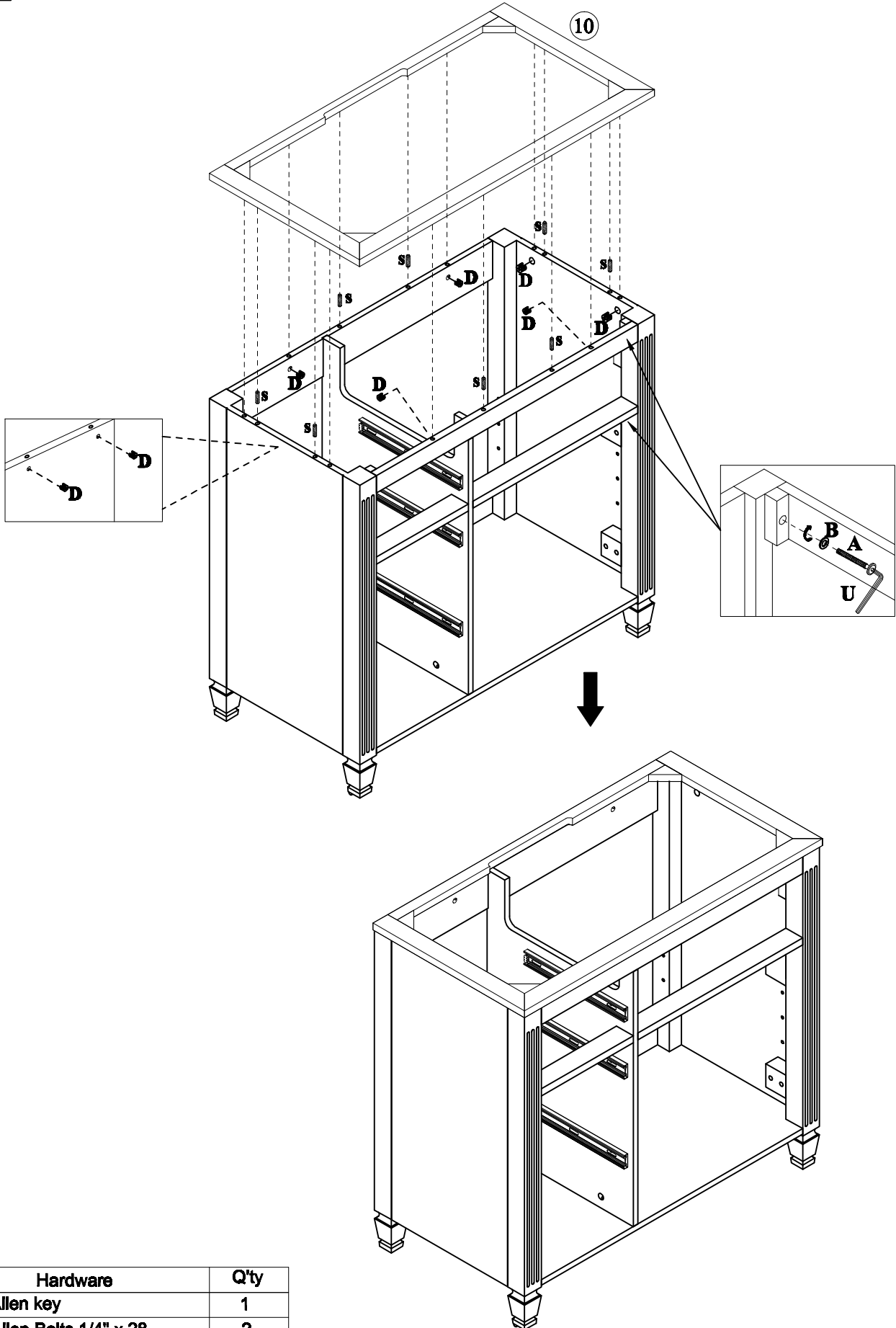
No	Hardware	Q'ty
U	Allen key	1
A	Allen Bolts 1/4" x 28	3
B	Flat Washers 1/4"x16x1	3
D	Cam Lock	6
S	Wooden ø8x30mm	7

Step 6



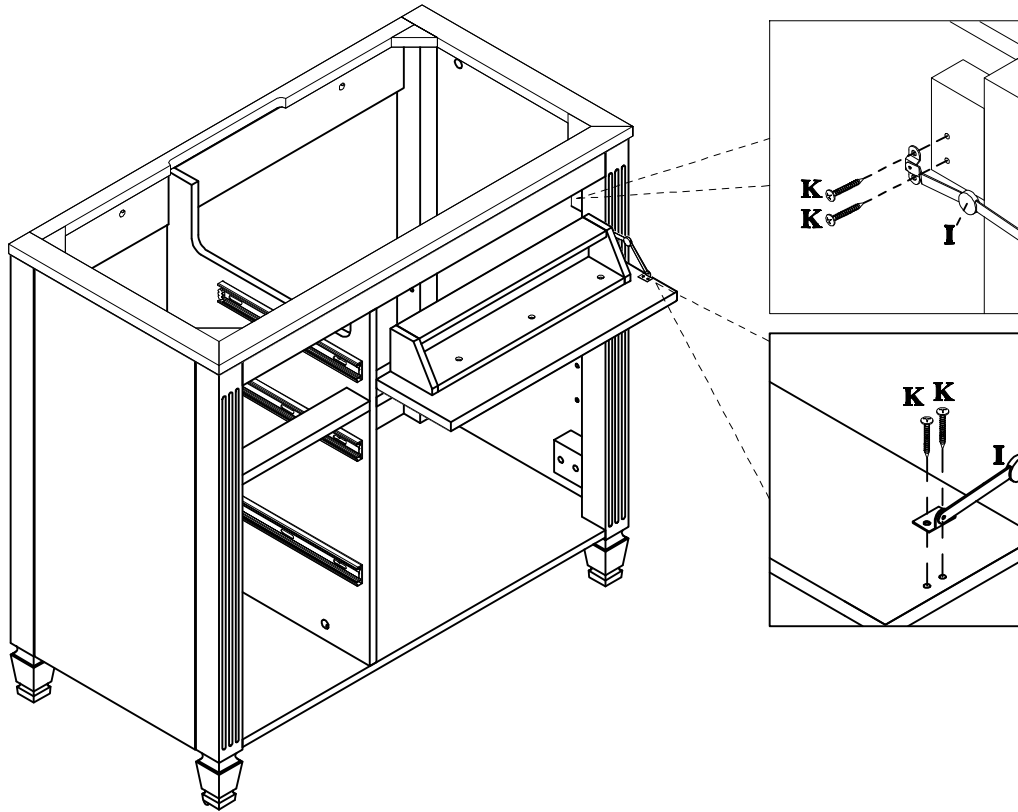
No	Hardware	Q'ty
D	Cam Lock	6
S	Wooden ø8x30mm	6

Step 7



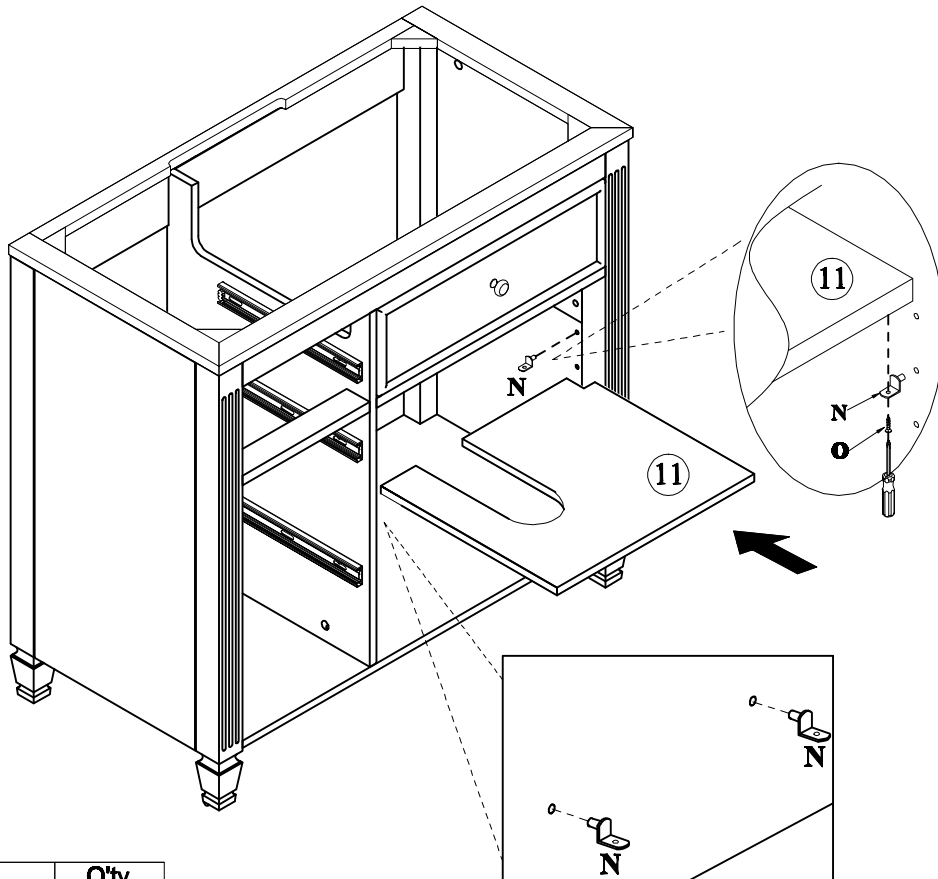
No	Hardware	Q'ty
U	Allen key	1
A	Allen Bolts 1/4" x 28	2
B	Flat Washers 1/4"x16x1	2
D	Cam Lock	8
S	Wooden ø8x30mm	8

Step 8



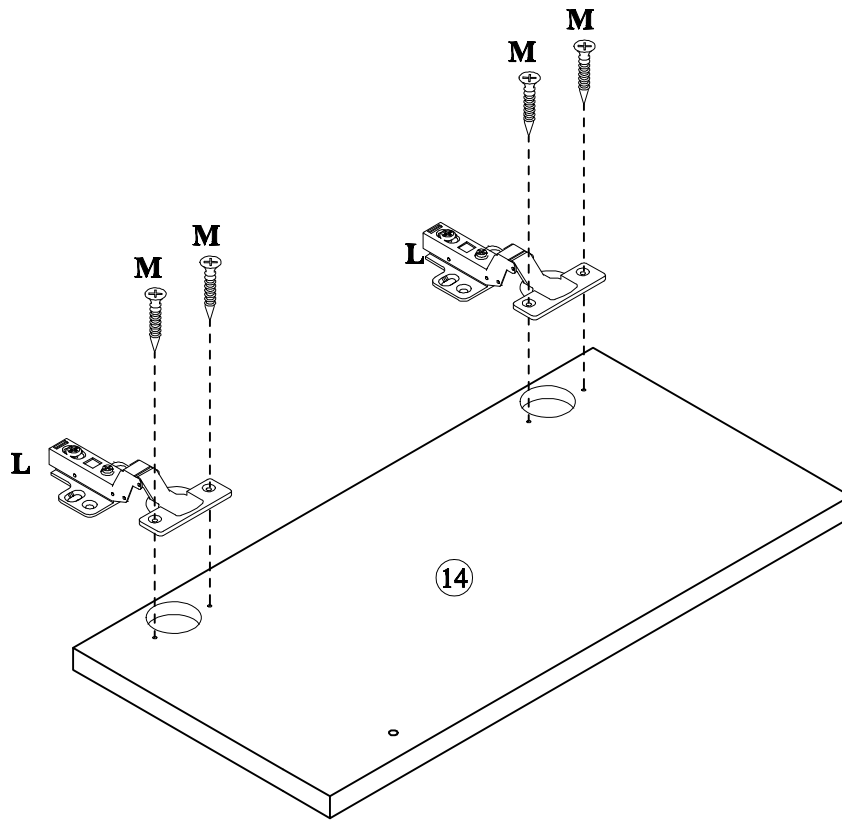
No	Hardware	Q'ty
I	Rod Support hinges - Right	1
K	Screws $\varnothing 6 \times \varnothing 3 \times 12 \text{mm}$	4

Step 9



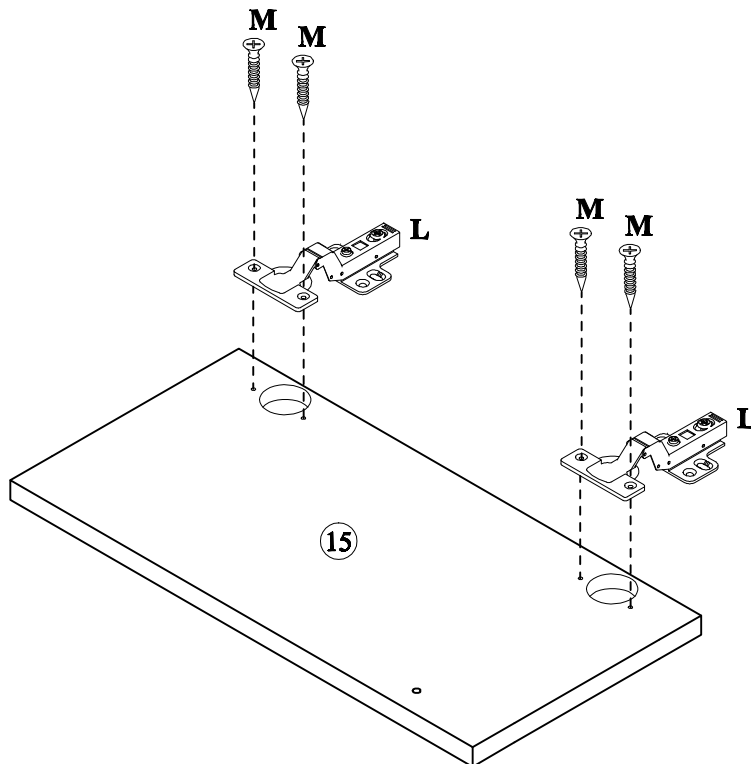
No	Hardware	Q'ty
N	Shelf Support	4
O	Screws $\varnothing 7 \times \varnothing 3.5 \times 12 \text{mm}$	4

Step 10



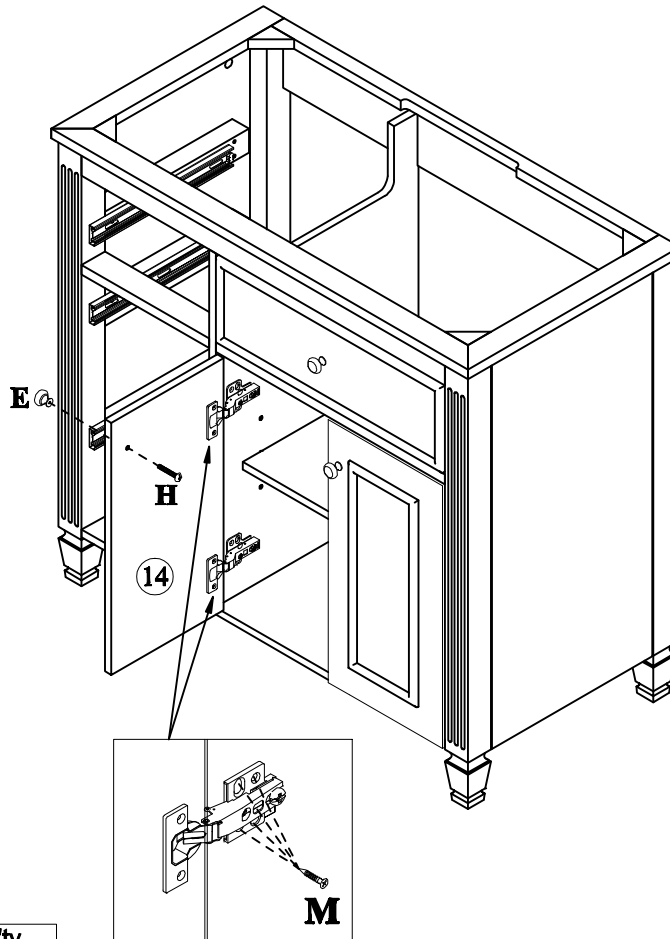
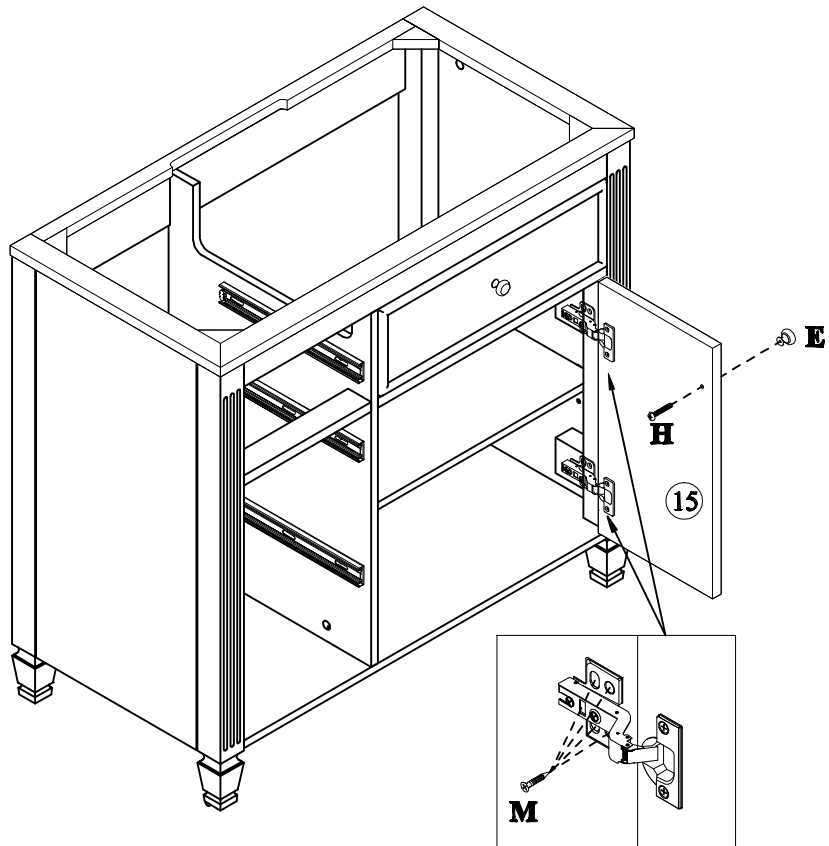
No	Hardware	Q'ty
L	Hinges	2
M	Screws $\phi 7 \times \phi 3.5 \times 12 \text{mm}$	4

Step 11



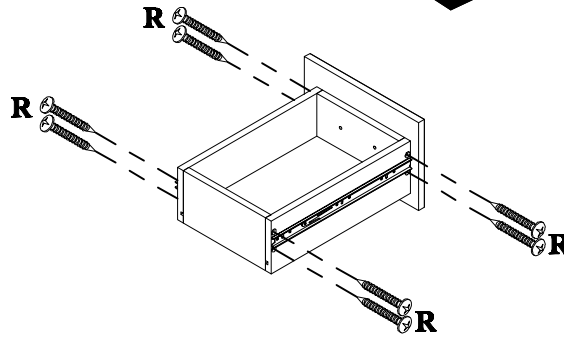
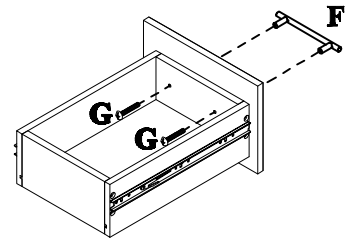
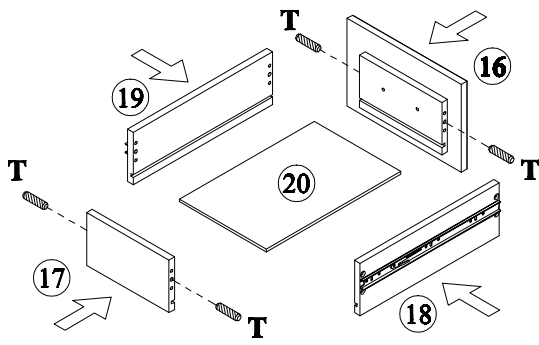
No	Hardware	Q'ty
L	Hinges	2
M	Screws $\phi 7 \times \phi 3.5 \times 12 \text{mm}$	4

Step 12



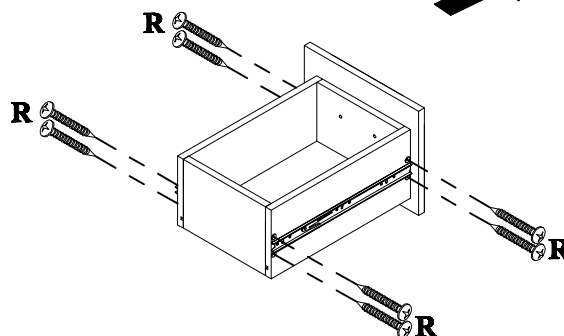
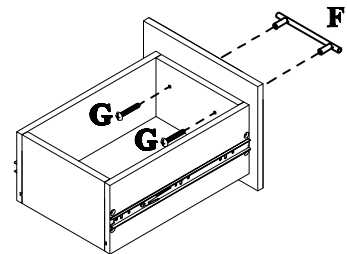
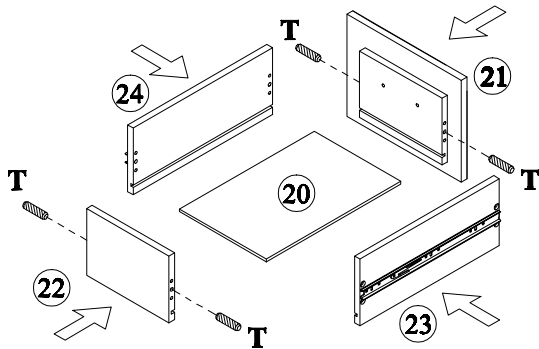
No	Hardware	Q'ty
M	Screws $\phi 7 \times \phi 3.5 \times 12 \text{mm}$	16
E	Handle	2
H	Screws $\phi 5/32" \times 19 \text{mm}$	2

Step 13



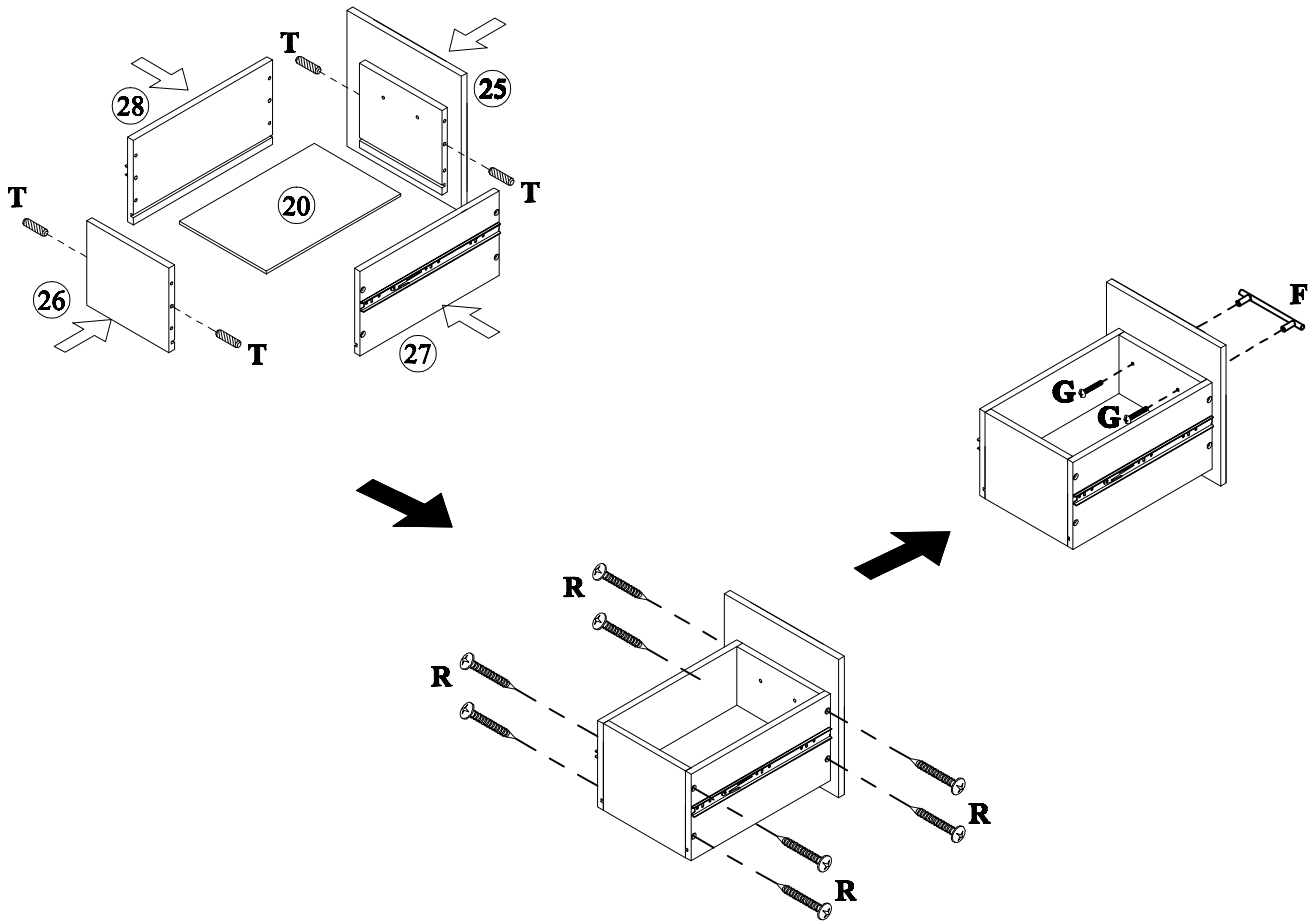
No	Hardware	Q'ty
T	Wooden $\varnothing 6 \times 30 \text{mm}$	4
R	Screws $\varnothing 8 \times \varnothing 4 \times 32 \text{mm}$	8
F	Handle	1
G	Screws $\varnothing 5/32" \times 25 \text{mm}$	2

Step 14



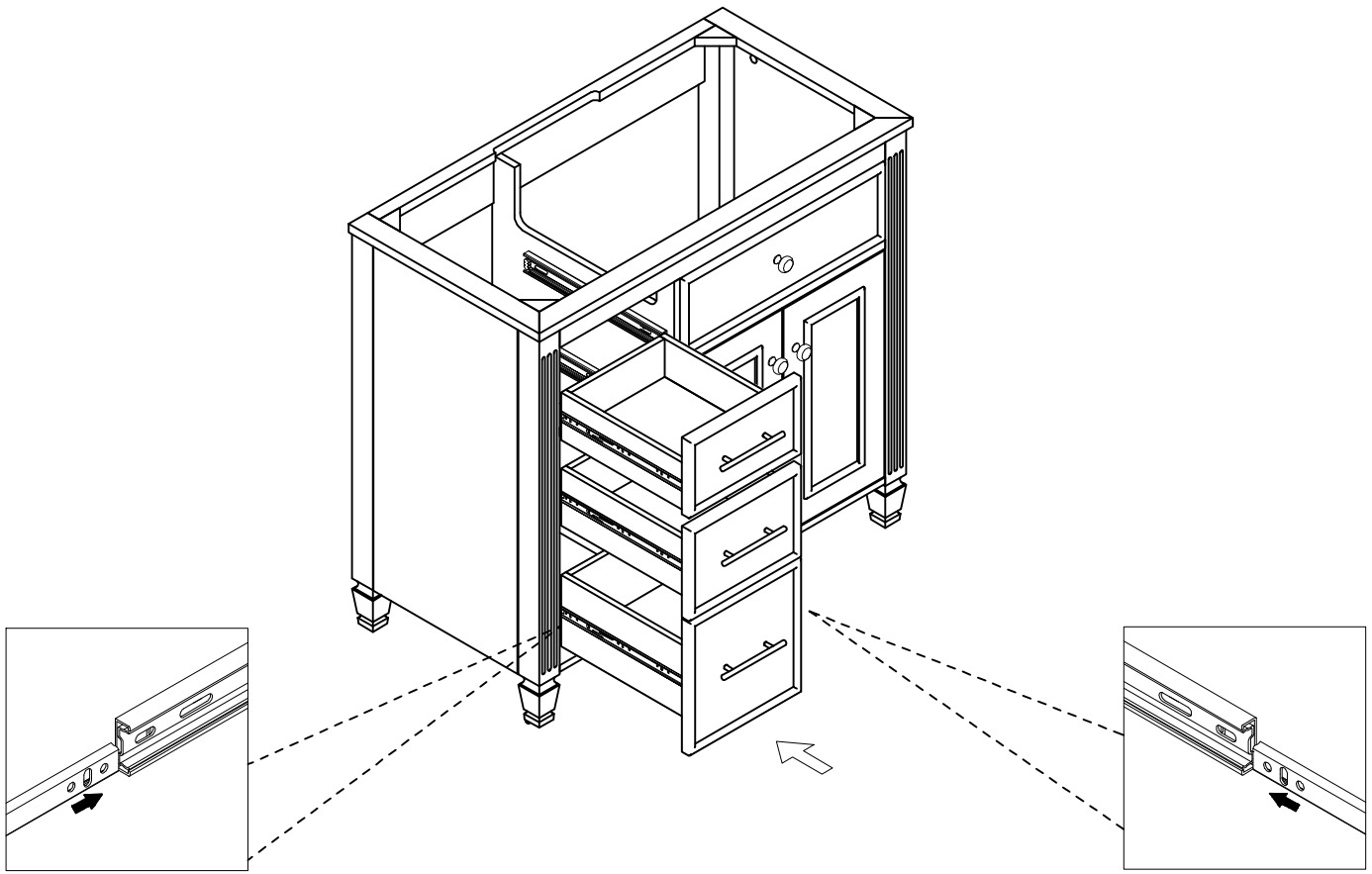
No	Hardware	Q'ty
T	Wooden $\varnothing 6 \times 30 \text{mm}$	4
R	Screws $\varnothing 8 \times \varnothing 4 \times 32 \text{mm}$	8
F	Handle	1
G	Screws $\varnothing 5/32" \times 25 \text{mm}$	2

Step 15

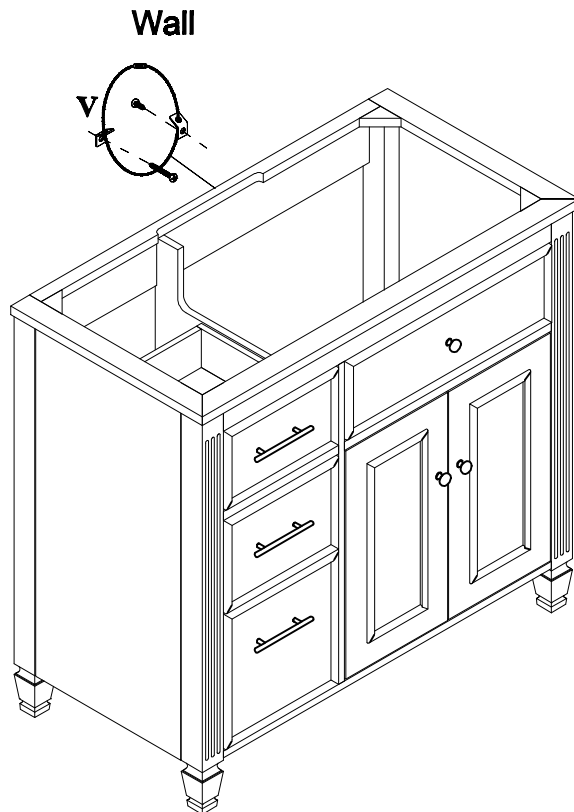


No	Hardware	Q'ty
T	Wooden $\varnothing 6 \times 30 \text{mm}$	4
R	Screws $\varnothing 8 \times \varnothing 4 \times 32 \text{mm}$	8
F	Handle	1
G	Screws $\varnothing 5/32" \times 25 \text{mm}$	2

Step 16

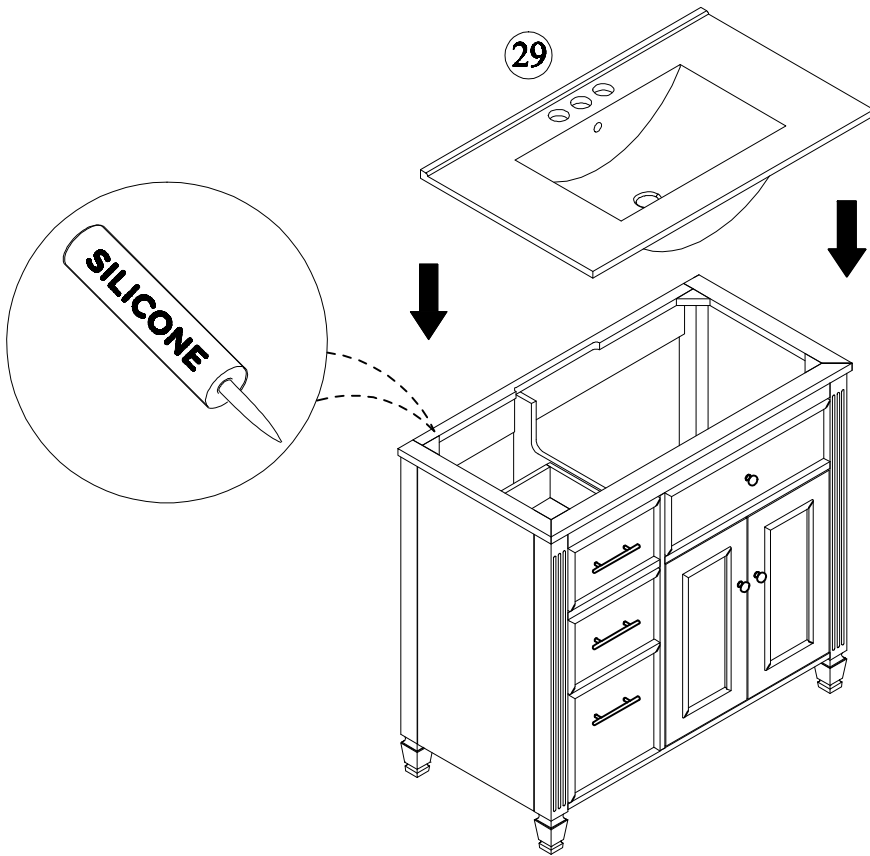


Step 17



No	Hardware	Q'ty
v	Anti fall hardware	1

Step 18



Step 19

