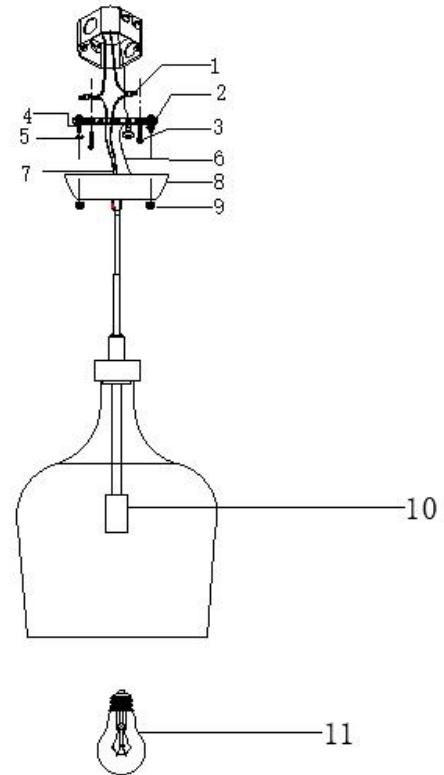


Installation Instruction

Please turn off power and read this instruction before installation The installation must be handled by a qualified electrician with license. Please also turn off power before changing the bulb and cleaning the fixture

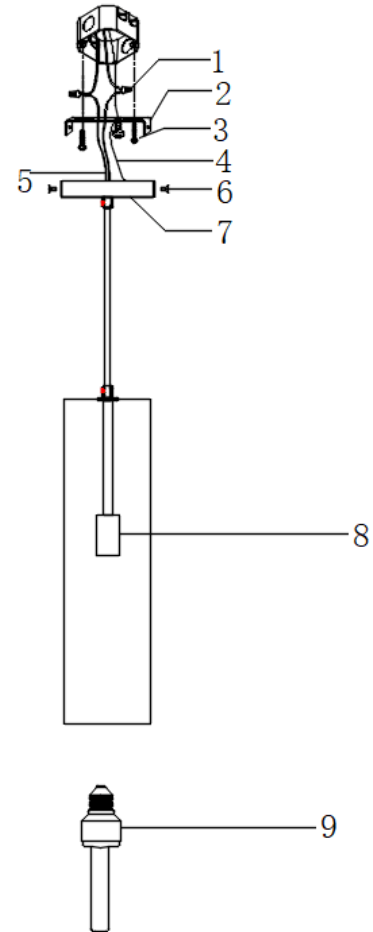
- A. Fix the hanging plate (2) to the junction box with screws (3)
- B. Connect the lamp body power cable (5) to the external power cable using a wiring cap (1), the ground cable (4) connected with green screw.
- C. Fix the straight edge disk (7) on the hanging plate (2) with screws (6)
- D. Fix the lamp shade (9) to the lamp holder (8) with metal parts (10)
- E. Install the bulb (not included) (11) on the lamp body (8)



Installation Instruction

Please turn off power and read this instruction before installation. The installation must be handled by a qualified electrician with license. Please also turn off power before changing the bulb and cleaning the fixture

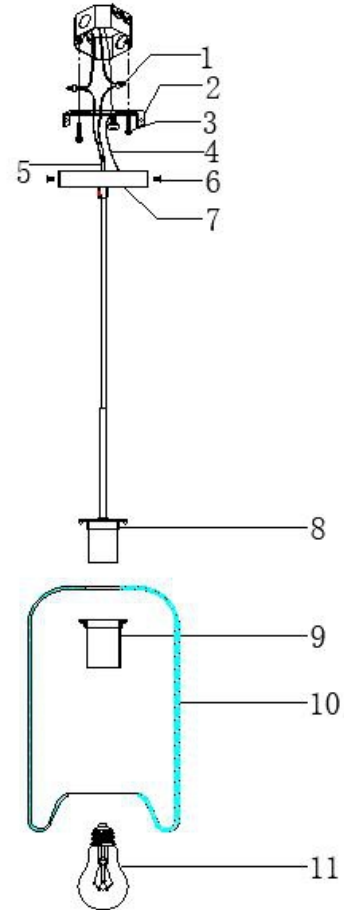
- A. Fix the hanging plate (2) to the junction box with screws (3)
- B. Connect the lamp body power cable (5) to the external power cable using a wiring cap (1), the ground cable (4) connected with green screw.
- C. Fix the straight edge disk (7) on the hanging plate (2) with screws (6)
- D. Install the bulb (not included) (11) on the lamp body (8)



Installation Instruction

Please turn off power and read this instruction before installation. The installation must be handled by a qualified electrician with license. Please also turn off power before changing the bulb and cleaning the fixture

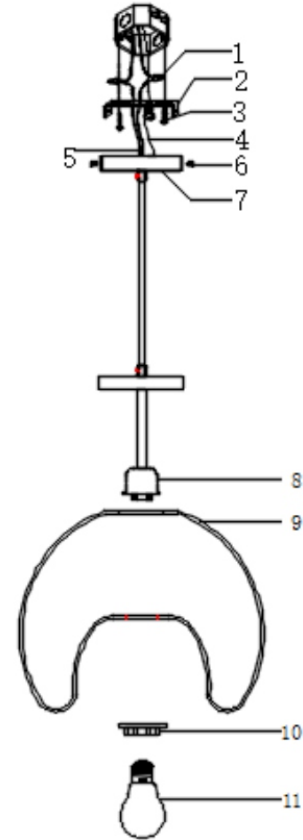
- A. Fix the hanging plate (2) to the junction box with screws (3)
- B. Connect the lamp body power cable (5) to the external power cable using a wiring cap (1), the ground cable (4) connected with green screw.
- C. Fix the straight edge disk (7) on the hanging plate (2) with screws (6)
- D. Fix the lamp shade (10) to the lamp holder (8) with metal parts (9)
- E. Install the bulb (not included) (11) on the lamp body (8)



Installation Instruction

Please turn off power and read this instruction before installation. The installation must be handled by a qualified electrician with license. Please also turn off power before changing the bulb and cleaning the fixture

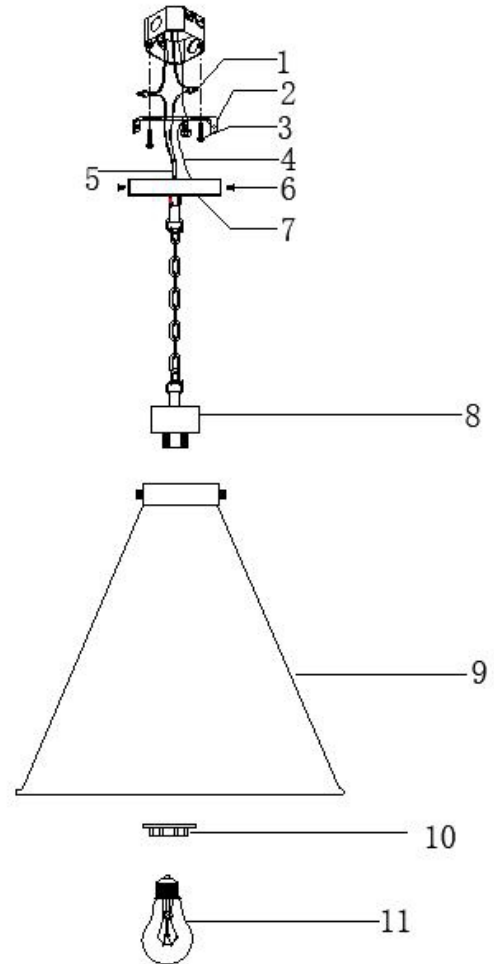
- A. Fix the hanging plate (2) to the junction box with screws (3)
- B. Connect the lamp body power cable (5) to the external power cable using a wiring cap (1), the ground cable (4) connected with green screw.
- C. Fix the straight edge disk (7) on the hanging plate (2) with screws (6)
- D. Fix the lamp shade (10) to the lamp holder (8) with metal parts (9)
- E. Install the bulb (not included) (11) on the lamp body (8)



Installation Instruction

Please turn off power and read this instruction before installation. The installation must be handled by a qualified electrician with license. Please also turn off power before changing the bulb and cleaning the fixture.

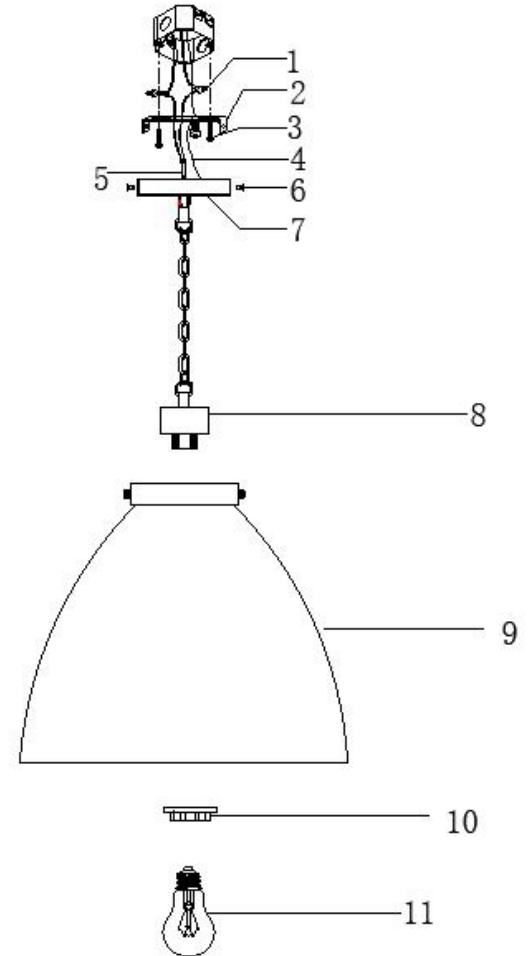
- A. Fix the hanging plate (2) to the junction box with screws (3)
- B. Connect the lamp body power cable (5) to the external power cable using a wiring cap (1), the ground cable (4) connected with green screw.
- C. Fix the straight edge disk (7) on the hanging plate (2) with screws (6)
- D. Fix the lamp shade (10) to the lamp holder (8) with metal parts (9)
- E. Install the bulb (not included) (11) on the lamp body (8)



Installation Instruction

Please turn off power and read this instruction before installation. The installation must be handled by a qualified electrician with license. Please also turn off power before changing the bulb and cleaning the fixture

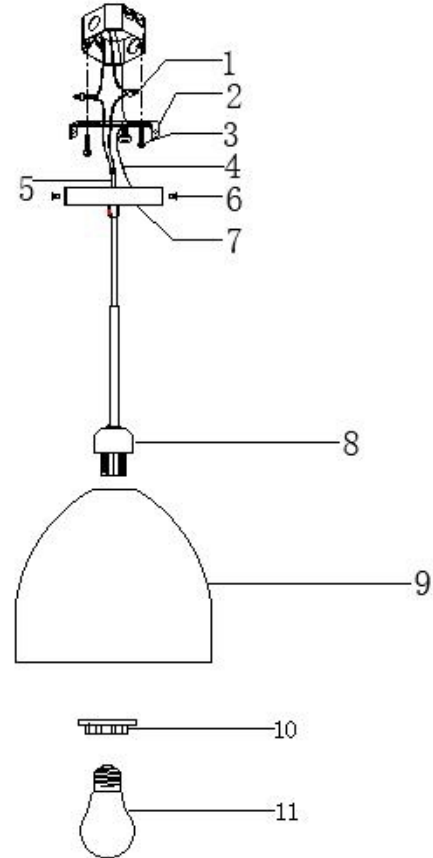
- A. Fix the hanging plate (2) to the junction box with screws (3)
- B. Connect the lamp body power cable (5) to the external power cable using a wiring cap (1), the ground cable (4) connected with green screw.
- C. Fix the straight edge disk (7) on the hanging plate (2) with screws (6)
- D. Fix the lamp shade (10) to the lamp holder (8) with metal parts (9)
- E. Install the bulb (not included) (11) on the lamp body (8)



Installation Instruction

Please turn off power and read this instruction before installation The installation must be handled by a qualified electrician with license. Please also turn off power before changing the bulb and cleaning the fixture

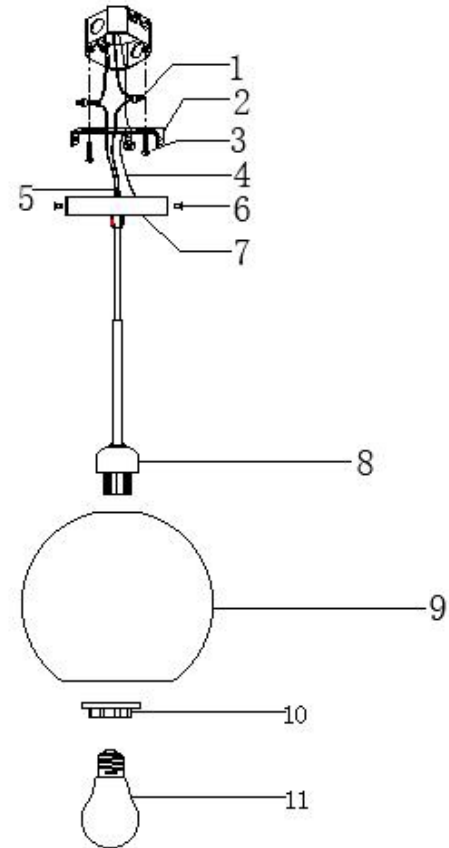
- A. Fix the hanging plate (2) to the junction box with screws (3)
- B. Connect the lamp body power cable (5) to the external power cable using a wiring cap (1), the ground cable (4) connected with green screw.
- C. Fix the straight edge disk (7) on the hanging plate (2) with screws (6)
- D. Fix the lamp shade (9) to the lamp holder (8) with metal parts (10)
- E. Install the bulb (not included) (11) on the lamp body (8)



Installation Instruction

Please turn off power and read this instruction before installation
The installation must be handled by a qualified electrician with license. Please also turn off power before changing the bulb and cleaning the fixture

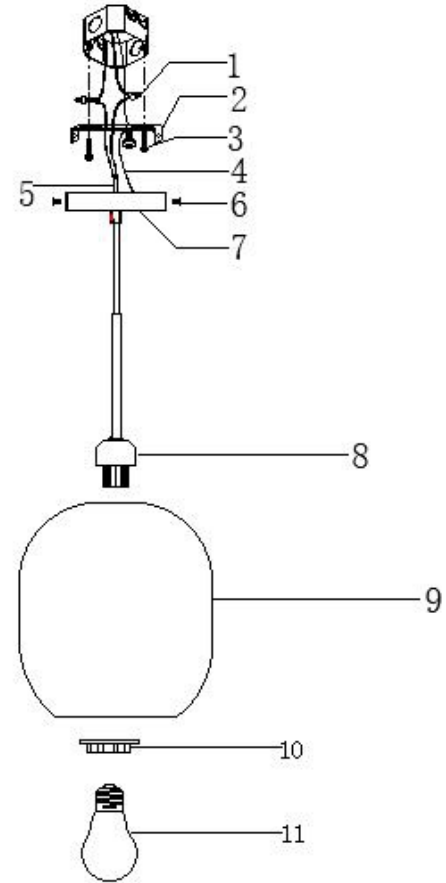
- A. Fix the hanging plate (2) to the junction box with screws (3)
- B. Connect the lamp body power cable (5) to the external power cable using a wiring cap (1), the ground cable (4) connected with green screw.
- C. Fix the straight edge disk (7) on the hanging plate (2) with screws (6)
- D. Fix the lamp shade (9) to the lamp holder (8) with metal parts (10)
- E. Install the bulb (not included) (11) on the lamp body (8)



Installation Instruction

Please turn off power and read this instruction before installation. The installation must be handled by a qualified electrician with license. Please also turn off power before changing the bulb and cleaning the fixture.

- A. Fix the hanging plate (2) to the junction box with screws (3)
- B. Connect the lamp body power cable (5) to the external power cable using a wiring cap (1), the ground cable (4) connected with green screw.
- C. Fix the straight edge disk (7) on the hanging plate (2) with screws (6)
- D. Fix the lamp shade (9) to the lamp holder (8) with metal parts (10)
- E. Install the bulb (not included) (11) on the lamp body (8)



Installation Instruction

Please turn off power and read this instruction before installation. The installation must be handled by a qualified electrician with license. Please also turn off power before changing the bulb and cleaning the fixture

- A. Fix the hanging plate (2) to the junction box with screws (3)
- B. Connect the lamp body power cable (5) to the external power cable using a wiring cap (1), the ground cable (4) connected with green screw.
- C. Fix the straight edge disk (7) on the hanging plate (2) with screws (6)
- D. Fix the lamp shade (10) to the lamp holder (8) with metal parts (9)
- E. Install the bulb (not included) (11) on the lamp body (8)

