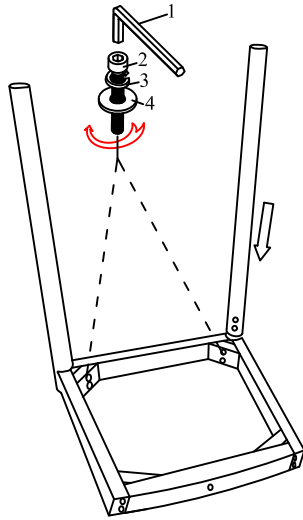
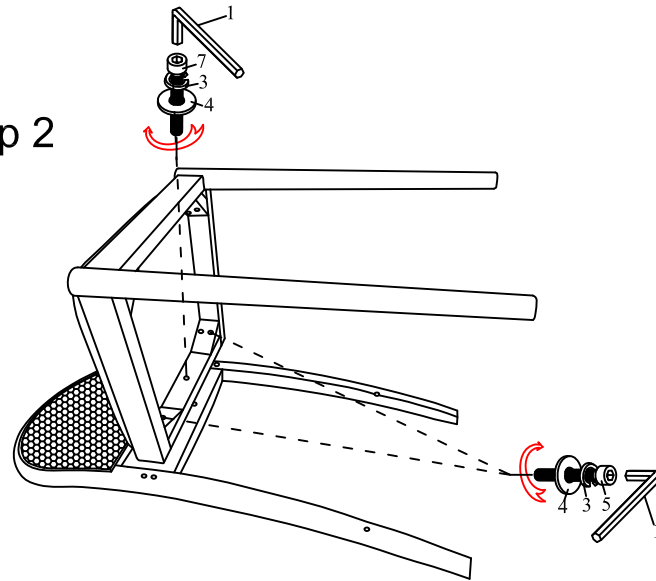


ASSEMBLY INSTRUCTIONS

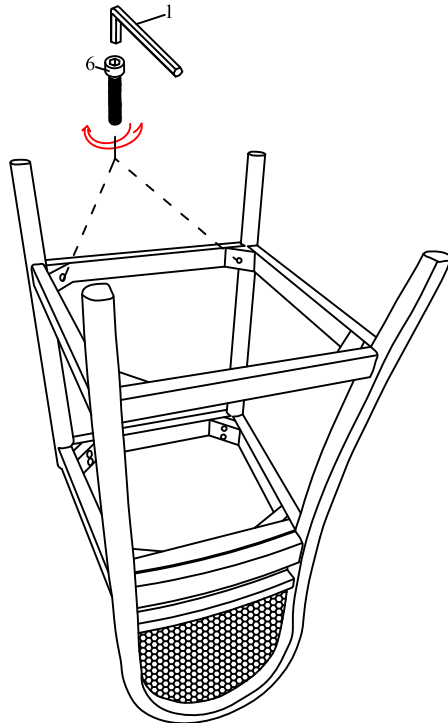
Step 1



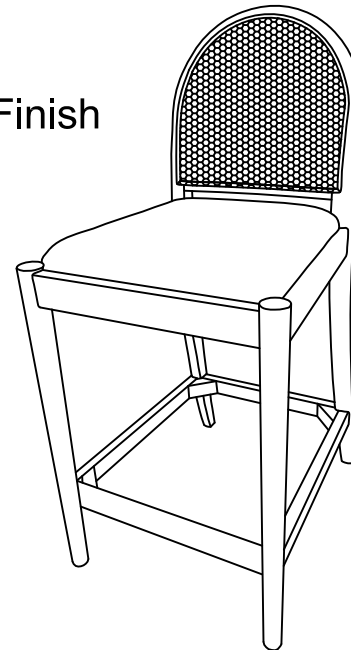
Step 2










Step 3



Finish



Hardware

1		"L" Wrench	1pc
2		British Bolt 8*70mm	4pcs
3		Spring Washer	9pcs
4		Flat Washer	9pcs
5		British Bolt 8*90mm	4pcs
6		British Bolt 8*50mm	4pcs
7		British Bolt 8*60mm	1pcs