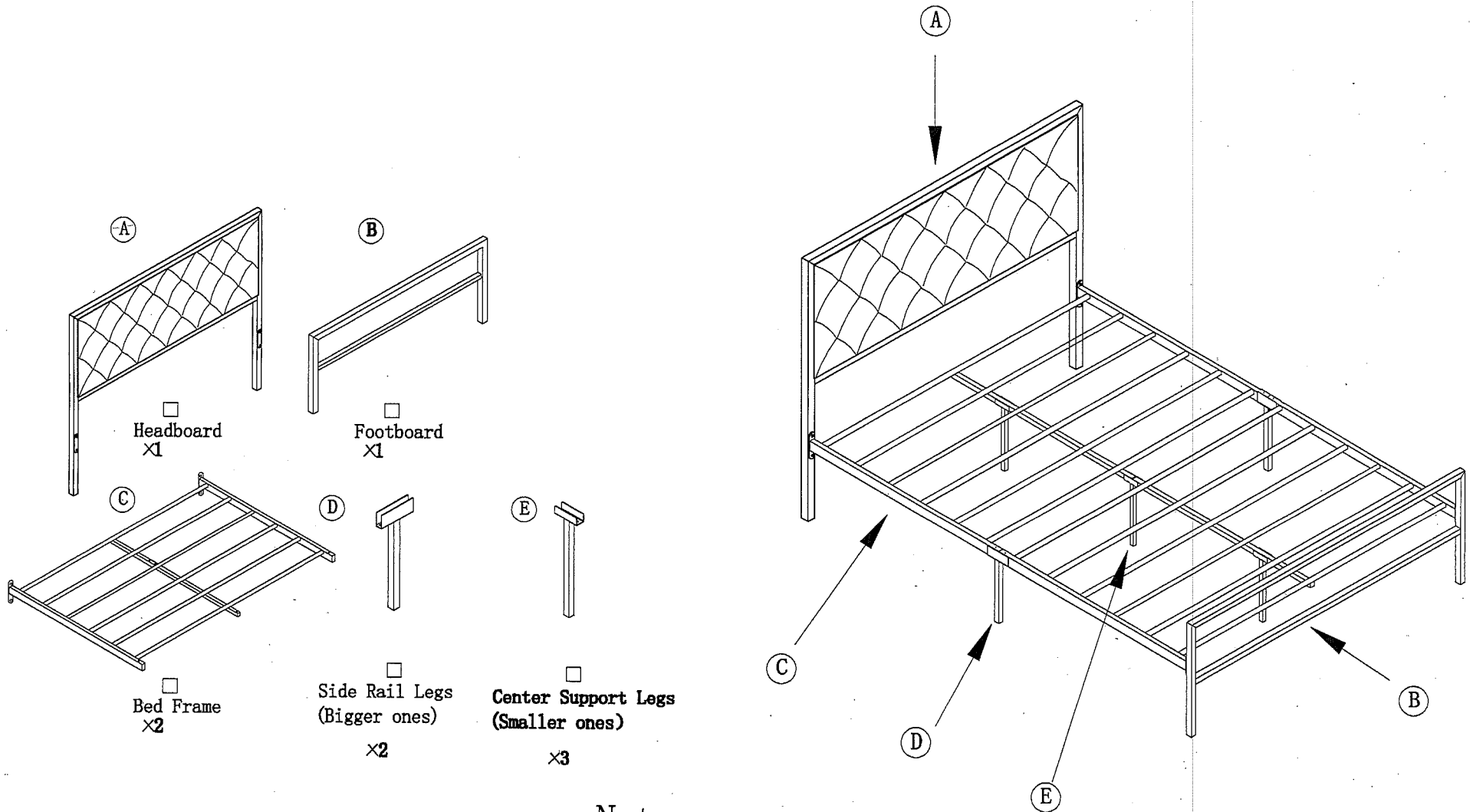


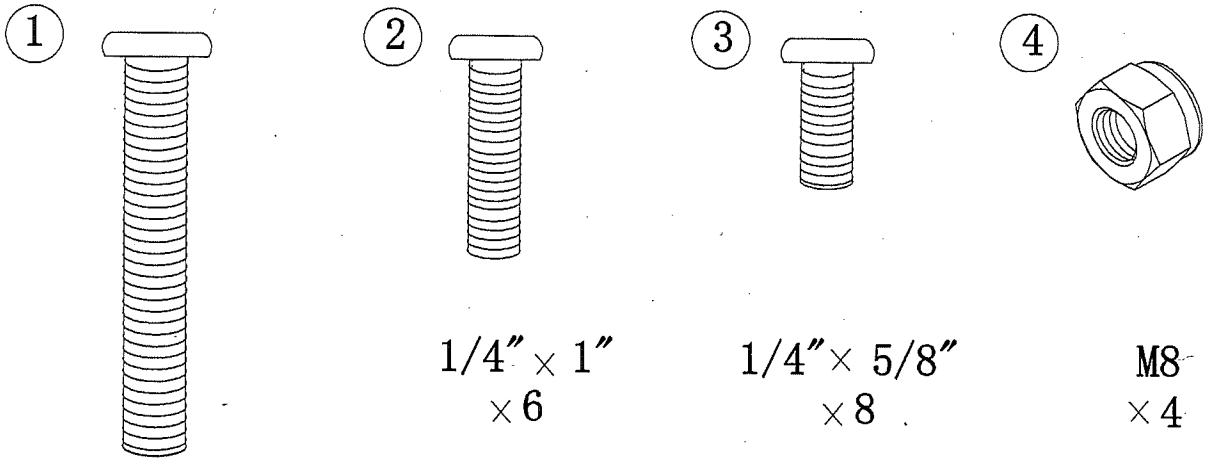
# Assembly Instruction

Note: All parts are contained in one box. It is required that at least two people or more assemble this item. Please follow all instructions in order to assemble easily



## Note:

All parts are contained in one box. It is required that at least two people assemble this item. Please follow all instructions in or to assemble easily



# Hardware Pack

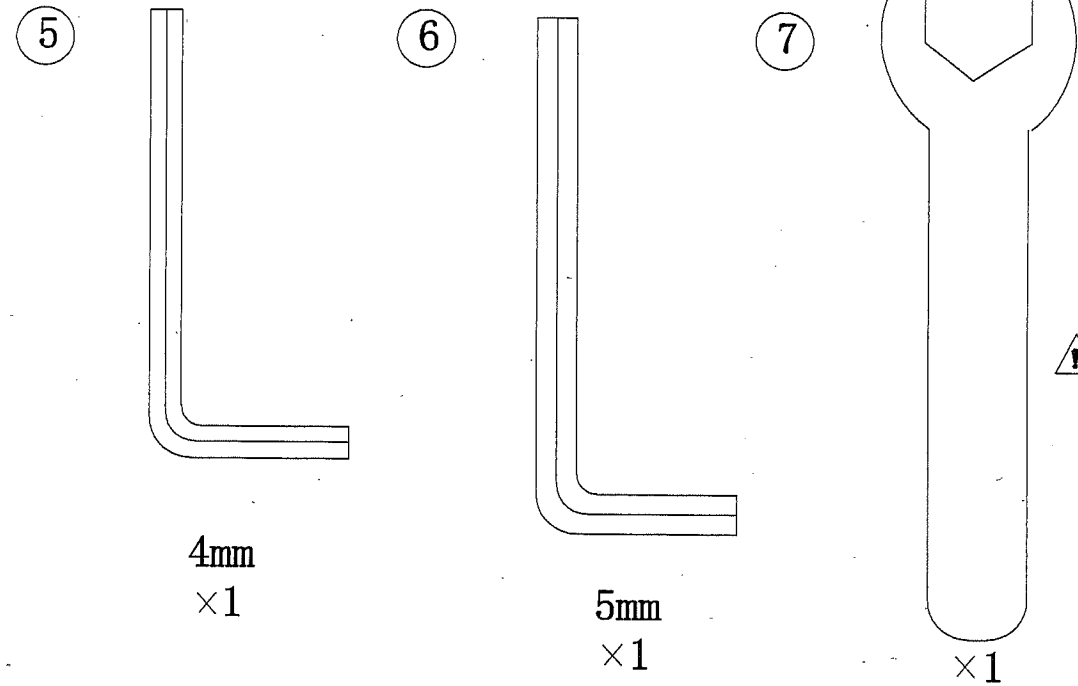
The following hardware drawings on the left are to scale. During assembly if you are unsure which piece to use, please refer to this page and you can match the drawing to the right hardware.

$1/4'' \times 1''$   
 $\times 6$

$1/4'' \times 5/8''$   
 $\times 8$

M8  
 $\times 4$


M8  $\times 2''$   
 $\times 4$

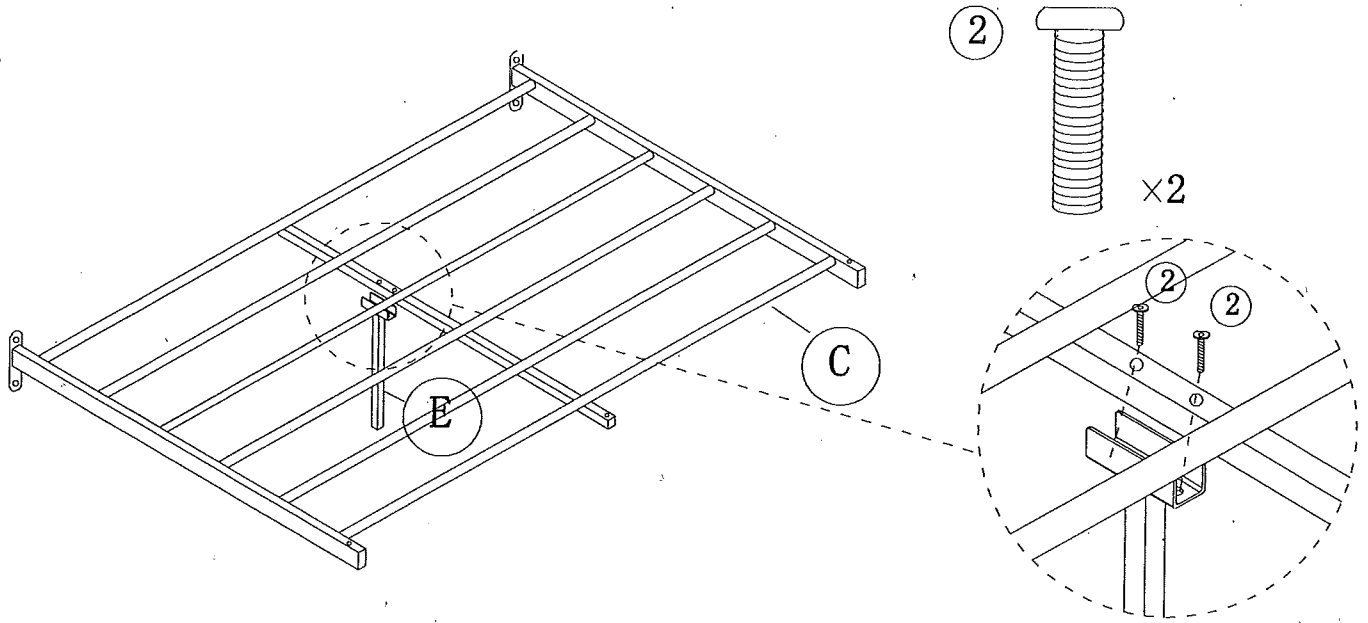


4mm  
 $\times 1$

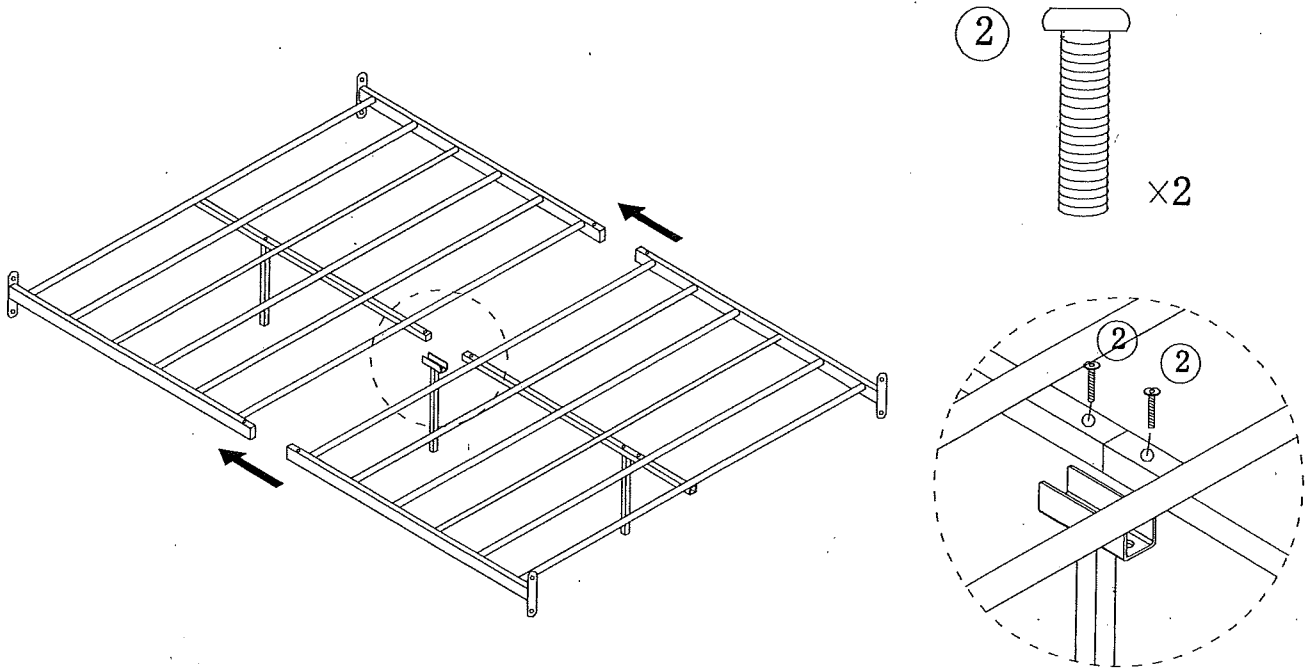
5mm  
 $\times 1$

$\times 1$

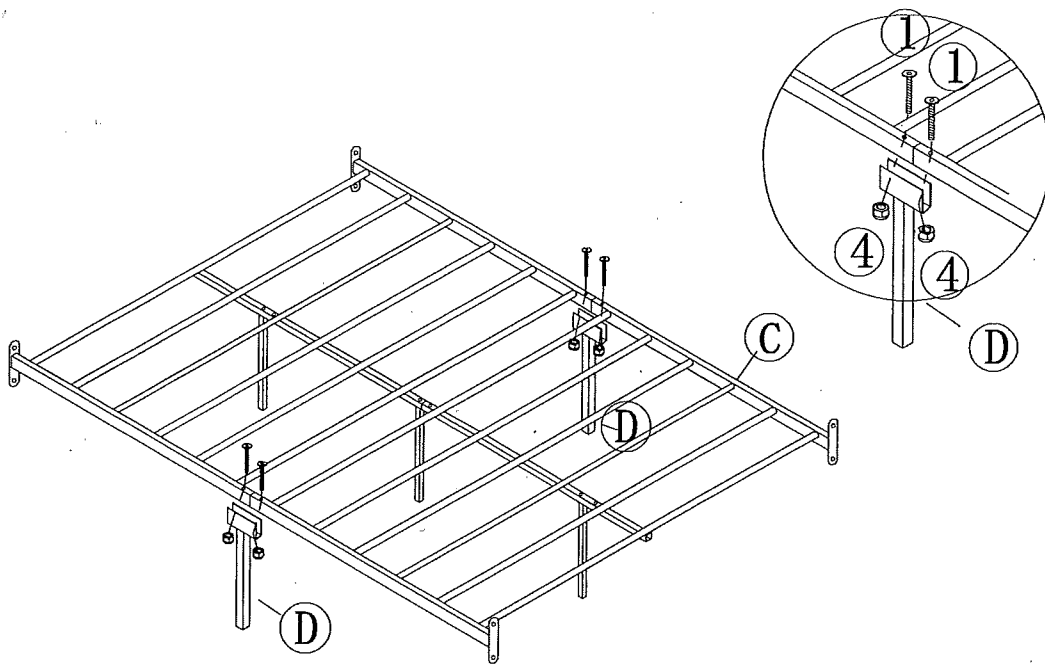

**Hardware Note:**  
 Please do not completely tighten all the hardware, until the entire assembly is complete, unless otherwise indicated in the step-by-step instructions



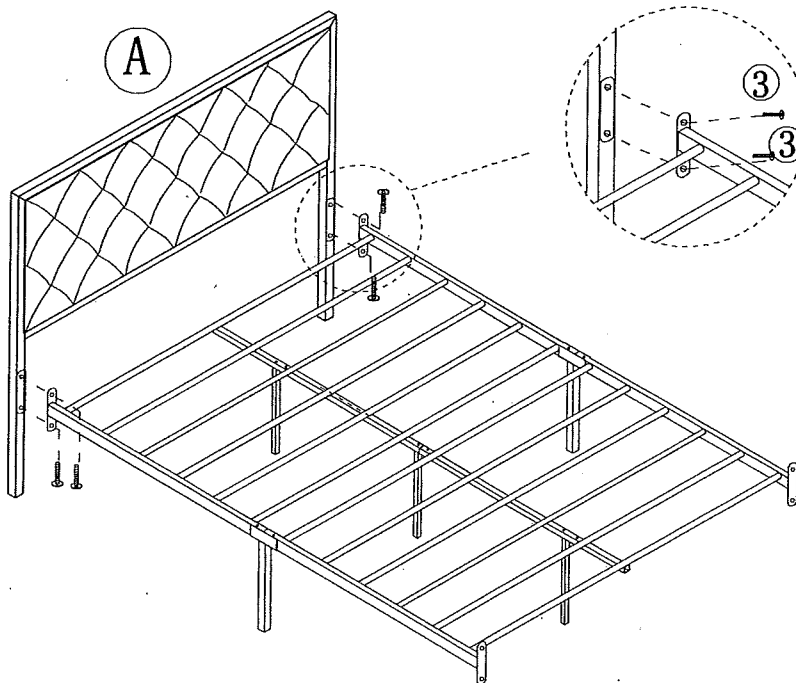
Step 1. Attach the middle support bars to the bottom of each base frame (C). Make sure the frame is not upside down by having the center support bar on the bottom. You will find two holes on the center support bar. Align the holes from Leg (E, small legs) and place the bolts (2) from the top and tighten. Do this for each base frame



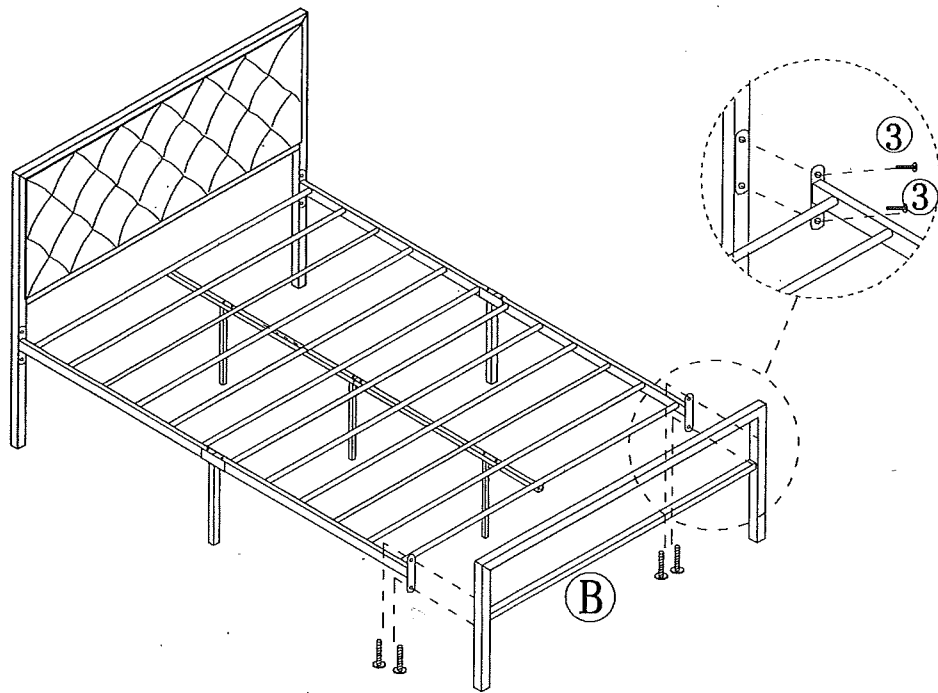
Step 2. Once each base frame has a leg, connect the two base frames. There will be one hole on each base frame on the center. Align the two like the image and place the center leg (E, the smaller leg) by aligning the holes on the two base frames to the legs and placing the bolts from the top



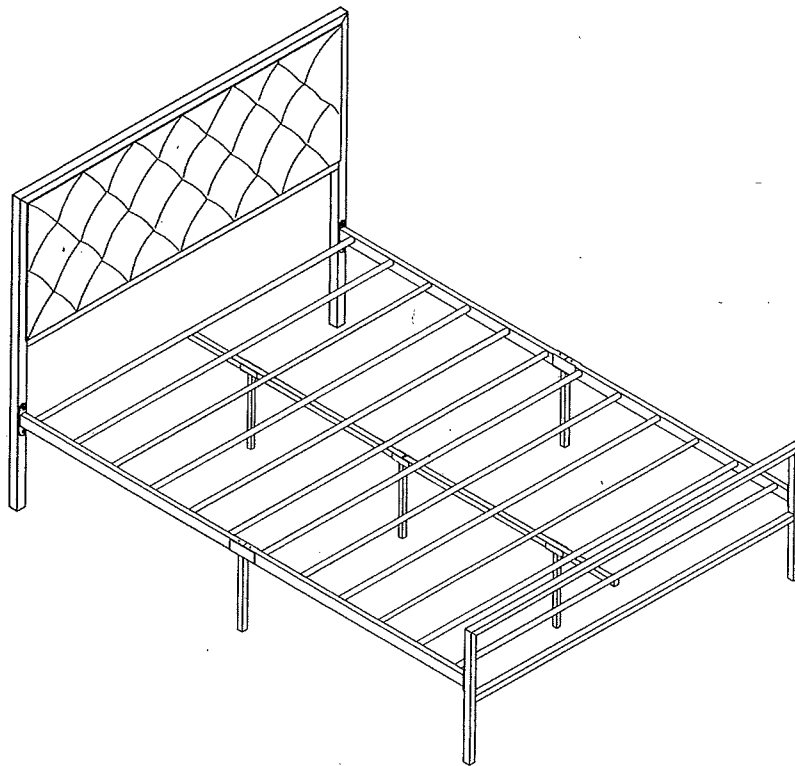
Step 3. Once all three center legs are assembled, the side rail support bars are ready to be assembled. Leg (D, the bigger legs) will go in the center of the two base frames. Align the holes of the leg to the center and assemble with bolt (1) from the top and use nut (4) to secure it from the bottom. Once both legs are assembled, you may tighten all four bolts



Step 4. Once all the base frame legs are assembled, the headboard is ready to be assembled. Align the holes of the bed frame to the headboard holes and use bolts (3) to connect the frame to the headboard. Once all four bolts are in, assemble the footboard first before tightening the bolts.



Step 5. Once the headboard is assembled, the footboard is now ready to be assembled. Just like the headboard, align the holes of the footboard to the holes of the bed frame like the image. Once aligned use bolt (3) to connect them together. When all four bolts are in you may now tighten the bolts on the footboard and the headboard



Your bed is now complete! Please keep the tools that were used just in case the bolts come loose in the future. The bed is a platform bed so a box spring is not required.