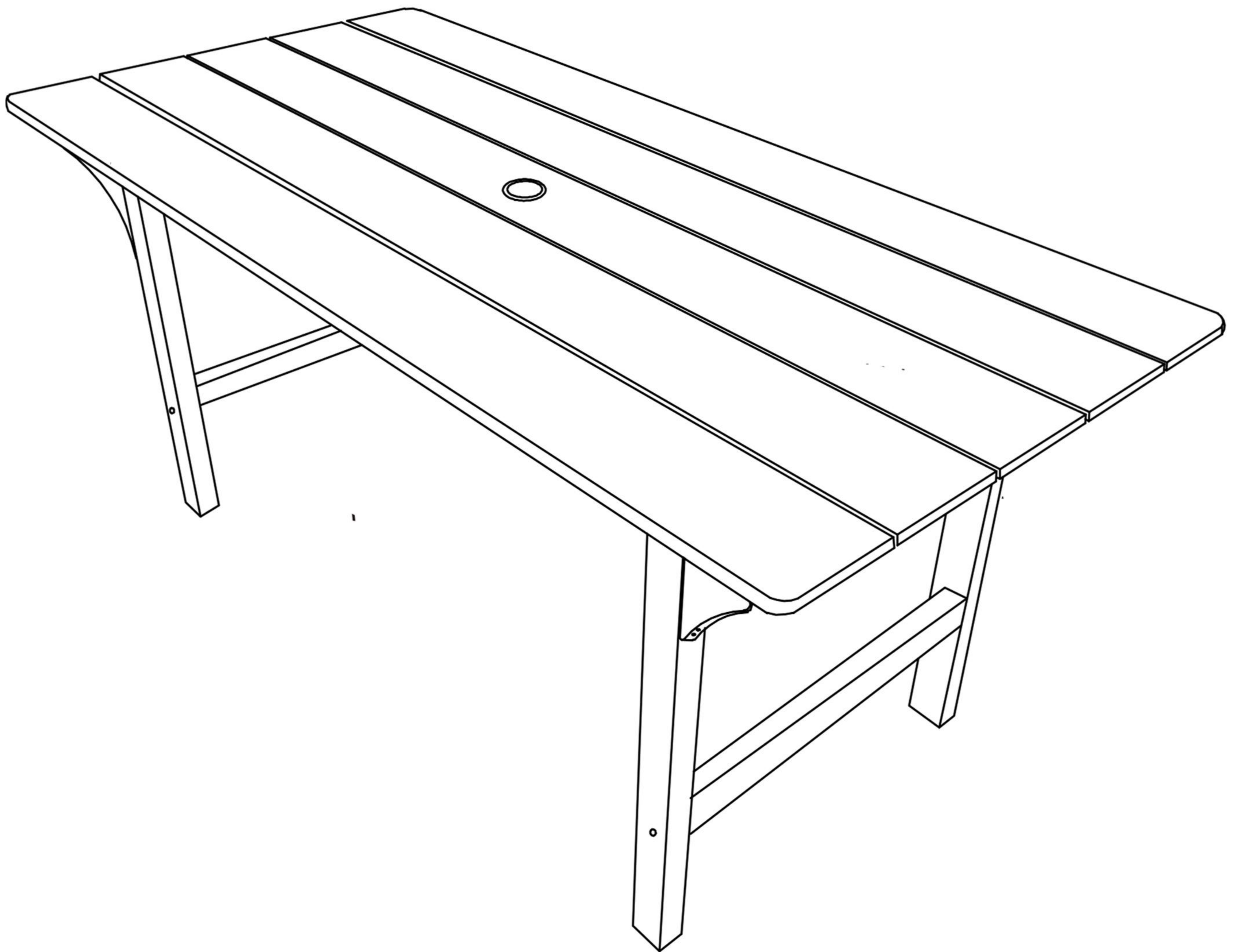


USER'S MANUAL

Product Name: **Patio Dining Table**



THIS INSTRUCTION BOOKLET CONTAINS **IMPORTANT SAFETY INFORMATION.**

PLEASE READ AND KEEP FOR FUTURE REFERENCE.

Contact Us

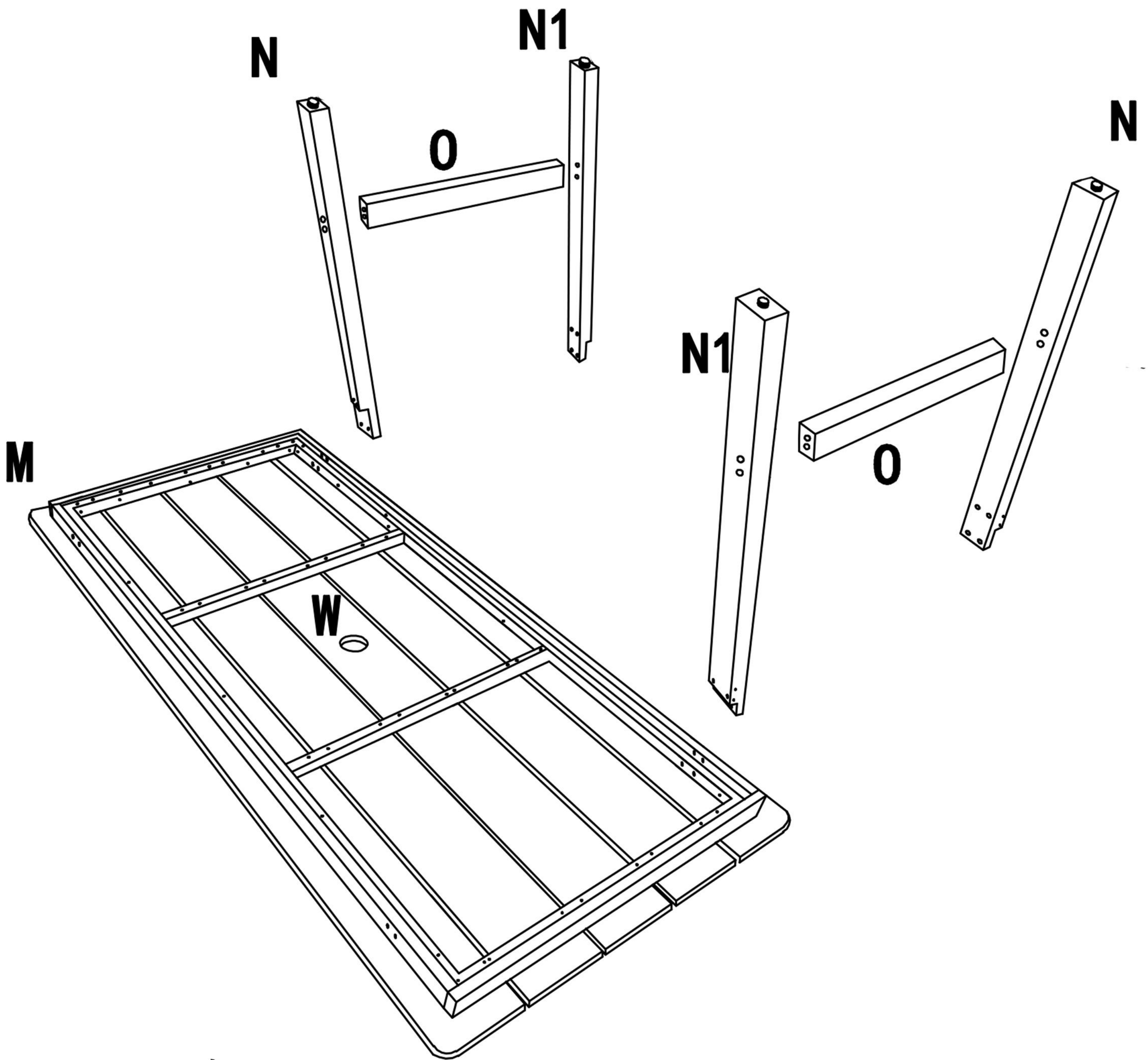
If you have any problem, please give us a chance to make it right for you!

Contact our friendly customer service department for help first. Replacements for missing or damaged parts will be shipped ASAP!

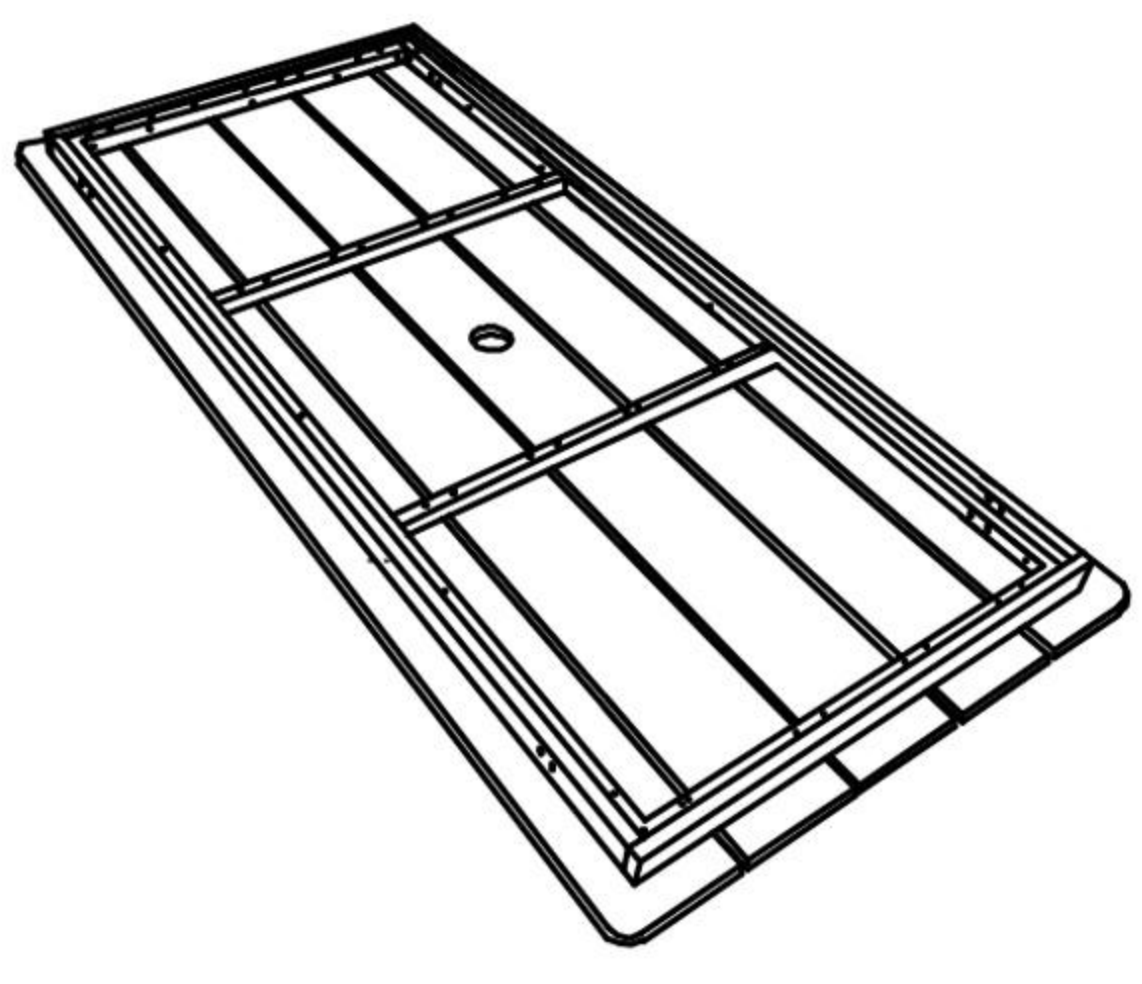
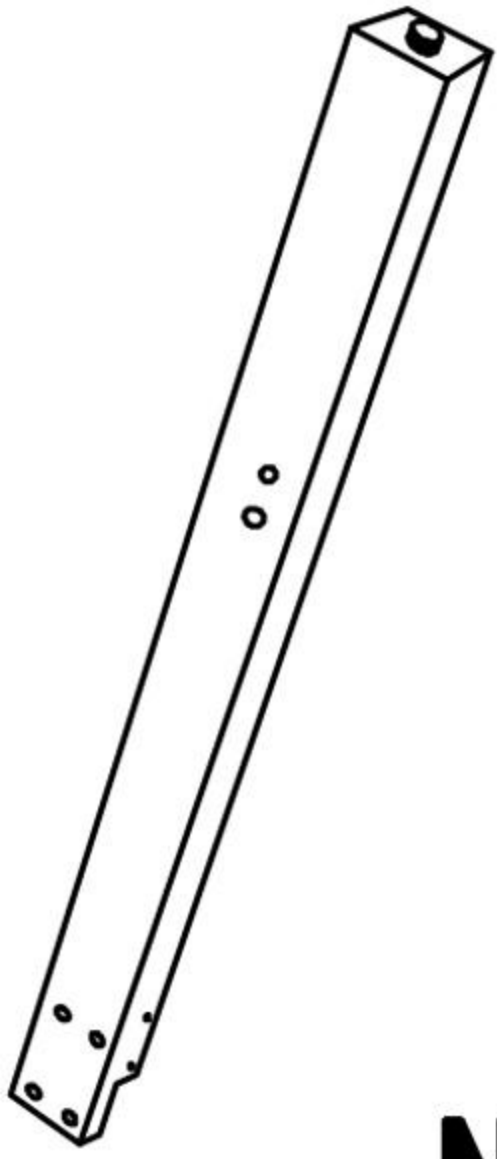
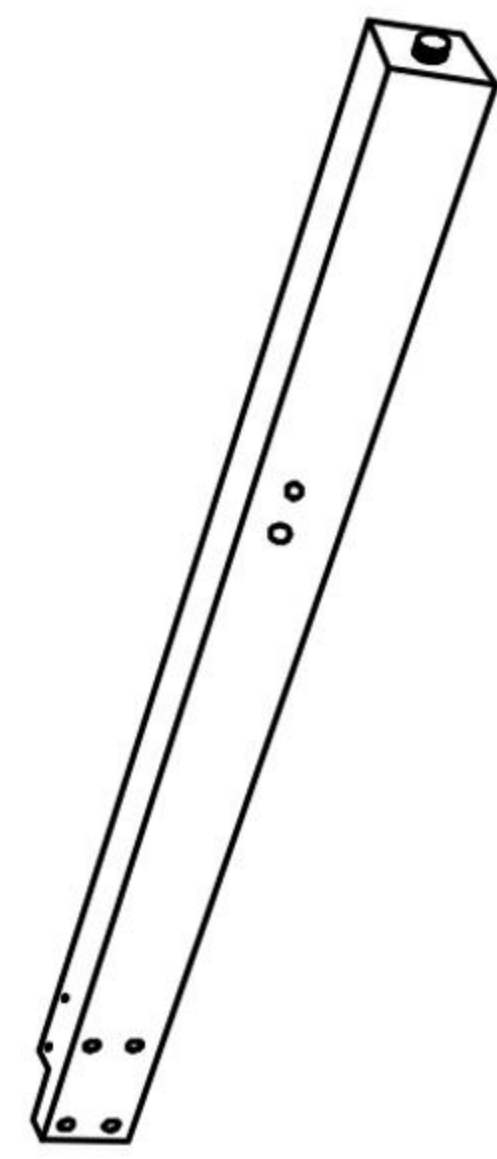
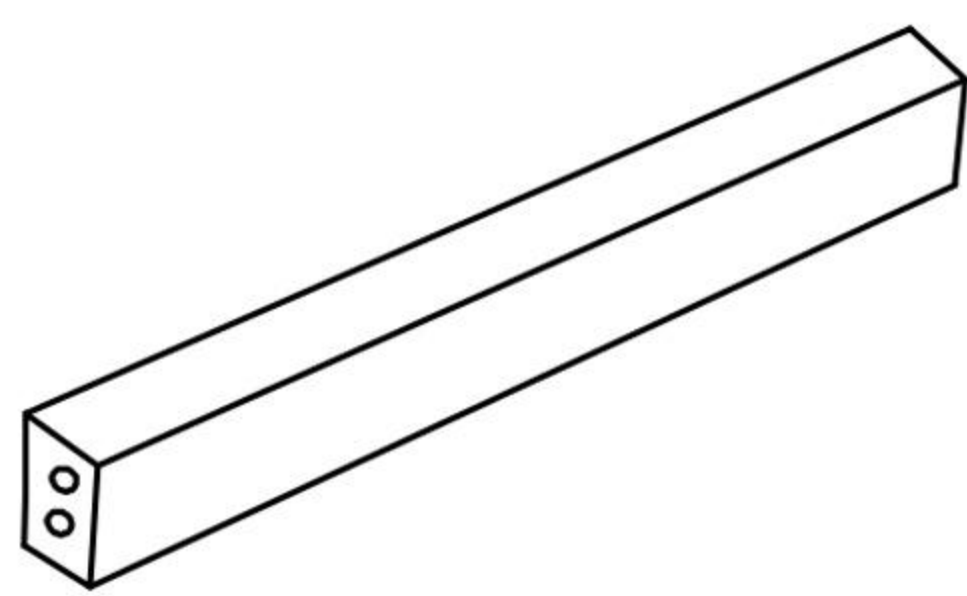
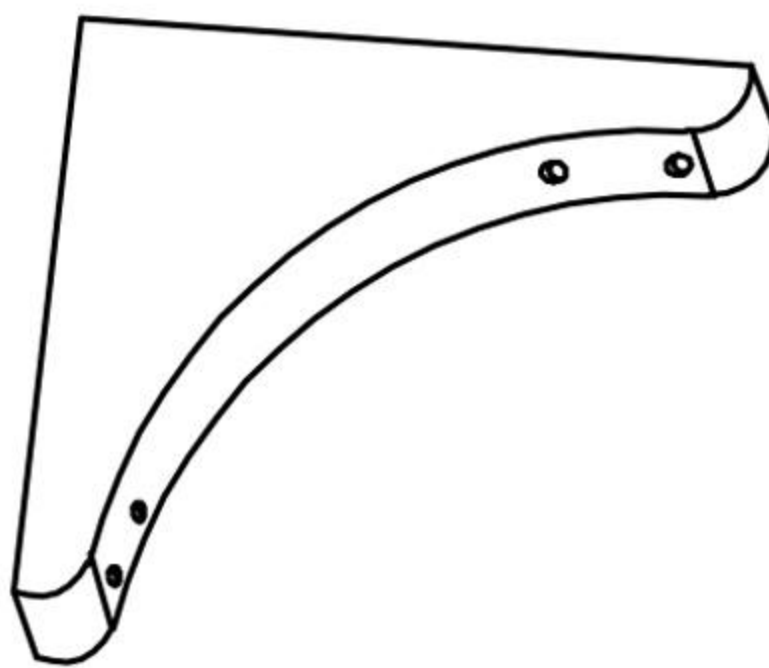
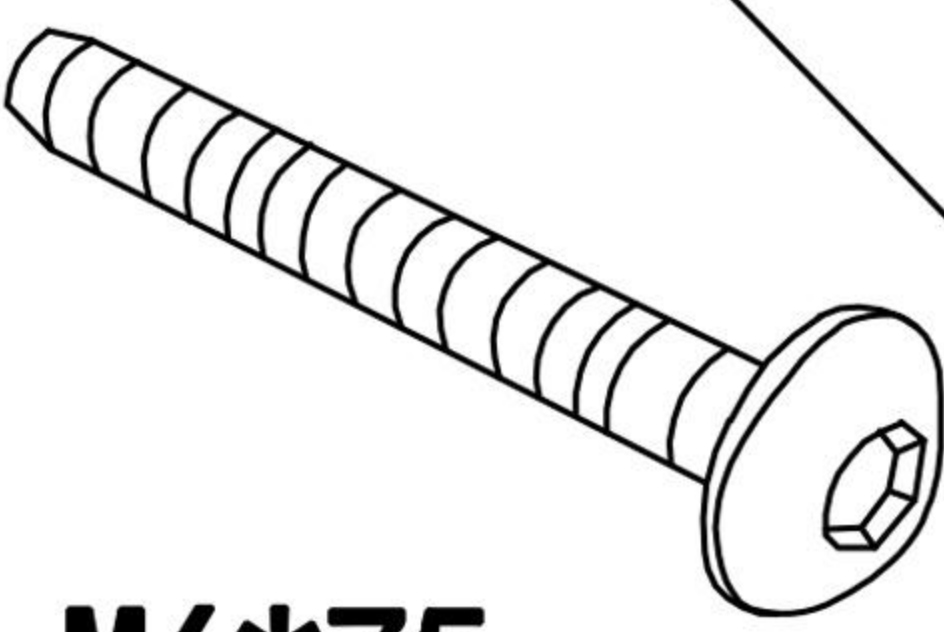

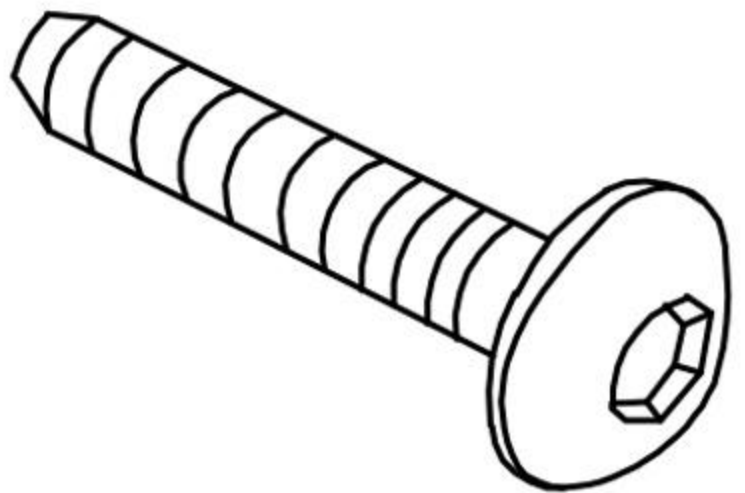
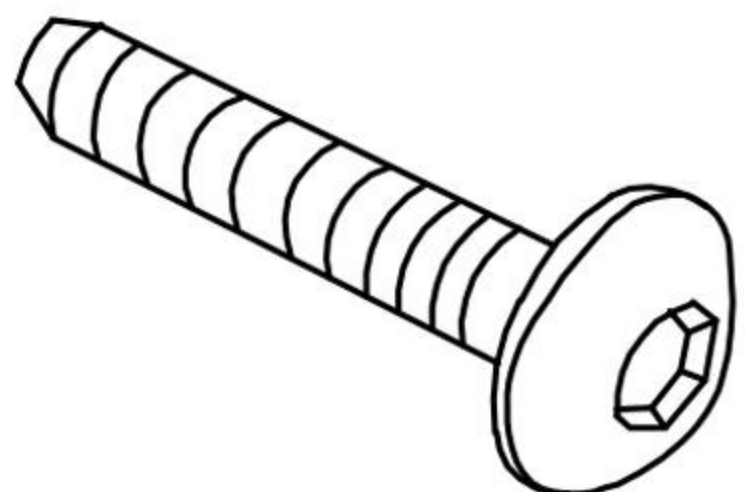



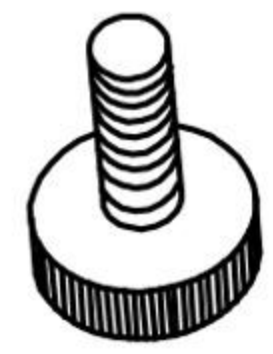
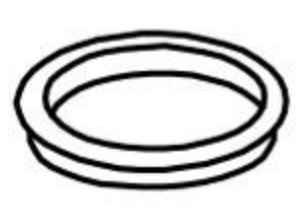
Before You Start

- Please read all instructions carefully.
- Retain instructions for future reference.
- Separate and count all parts and hardware.
- Read through each step carefully and follow the proper order.
- We recommend that, where possible, all items are assembled near to the area in which they will be placed in use, to avoid moving the product unnecessarily once assembled.
- Always place the product on a flat, steady and stable surface.
- Keep all small parts and packaging materials for this product away from babies and children.

KNOW YOUR PARTS

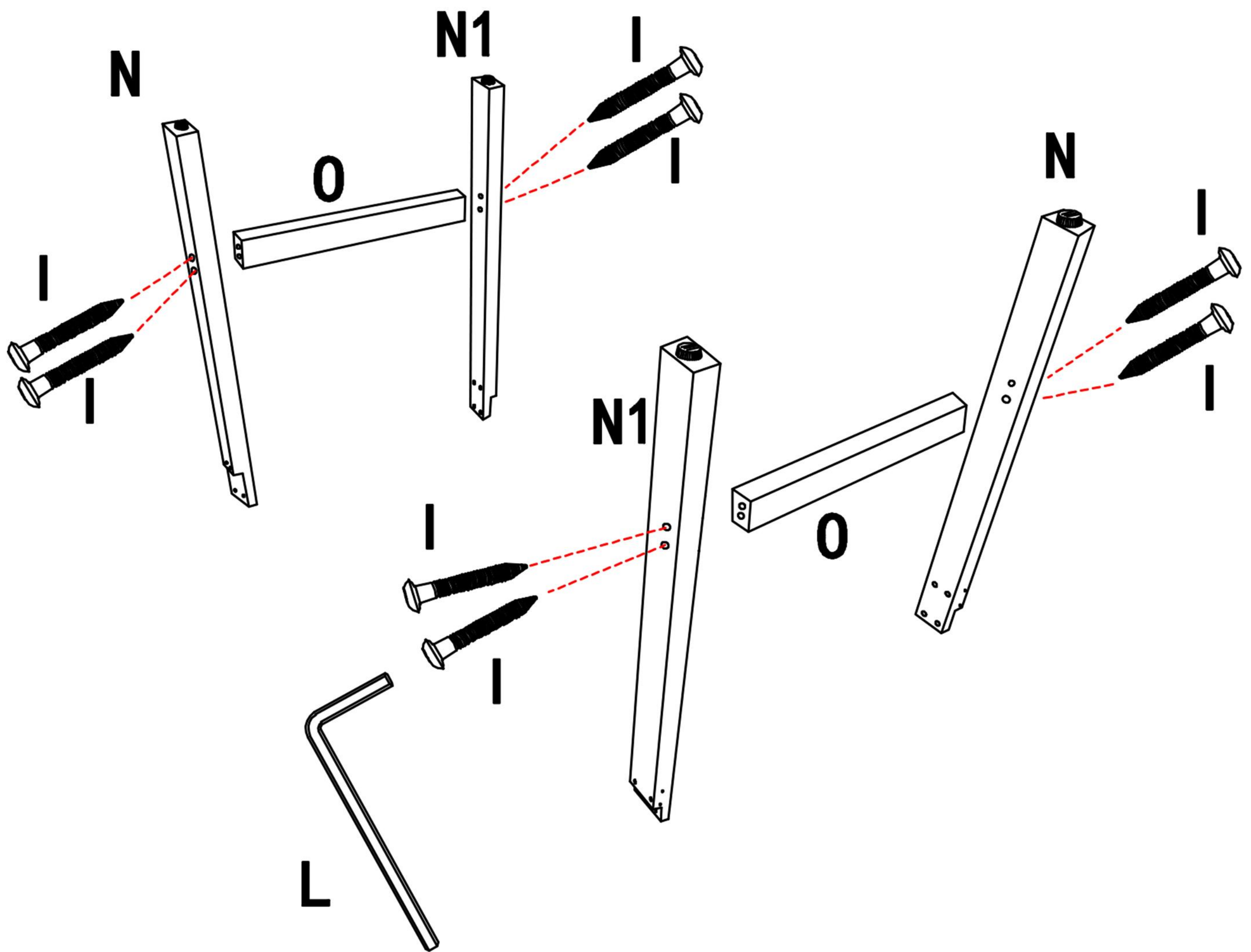
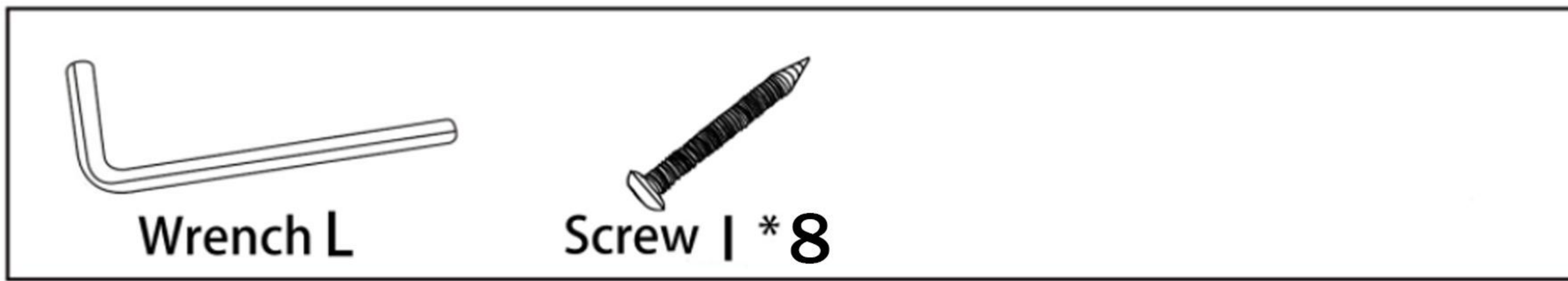


KNOW YOUR PARTS

<p>M</p>  <p>M=1</p>	<p>N</p>  <p>N=2</p>	<p>N1</p>  <p>N1=2</p>
<p>O</p>  <p>O=2</p>	<p>P</p>  <p>P=4</p>	<p>Q</p>  <p>Q=8</p> <p>R</p>  <p>R=8</p> <p>M6*75</p>
<p>S</p>  <p>M6*45</p> <p>S=8</p>	<p>T</p>  <p>M6*30</p> <p>T=16</p>	<p>I</p>  <p>M6*65</p> <p>I=8</p>
<p>L</p>  <p>L=1</p>	<p>U</p>  <p>U=1</p>	<p>V</p>  <p>V=4</p> <p>W</p>  <p>W=1</p>

Step 1:

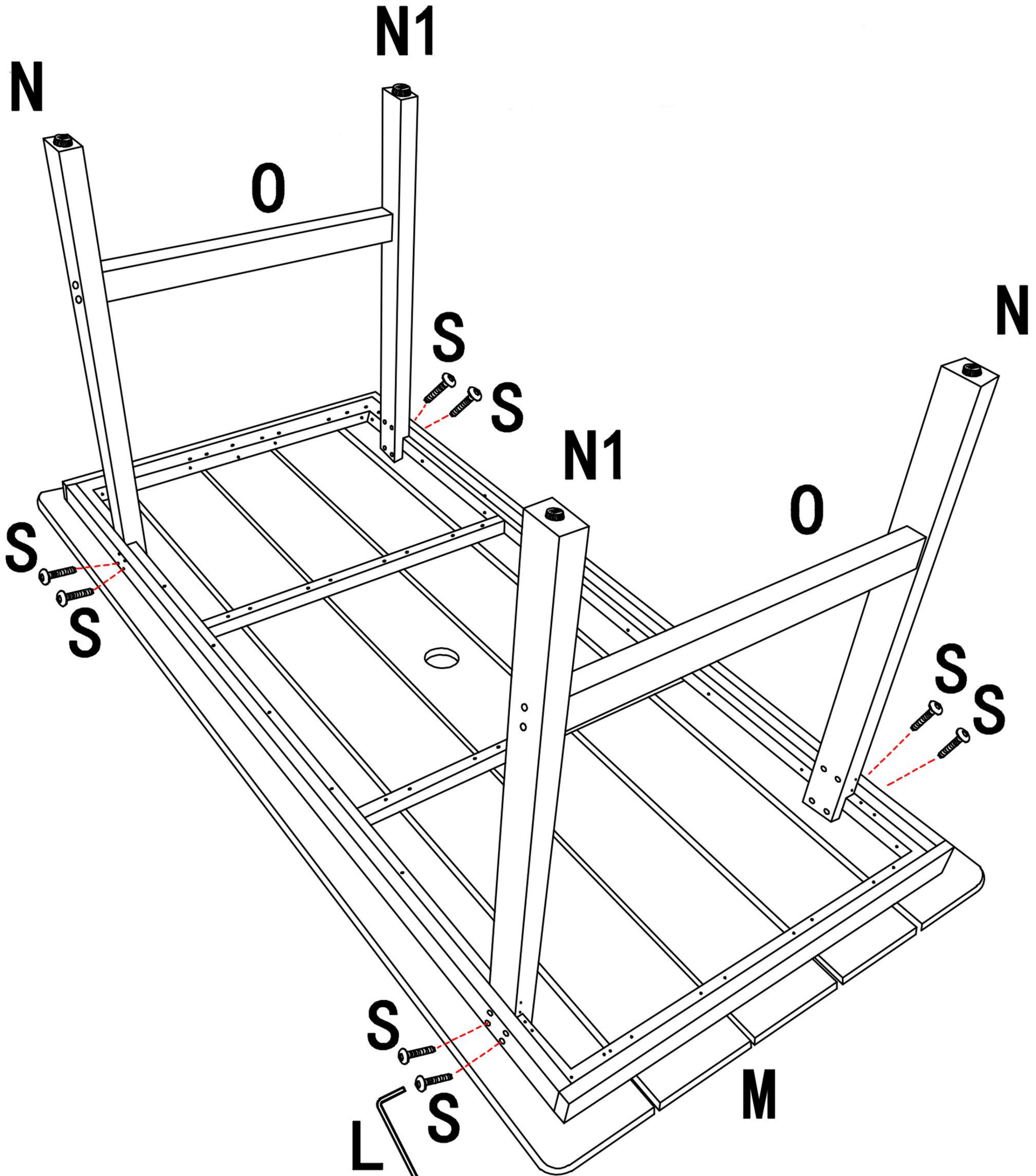
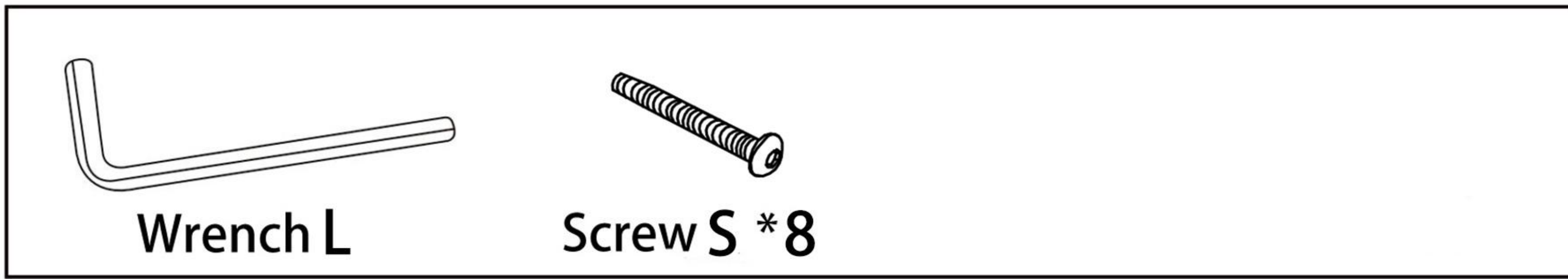
Take out Tabel Leg Part N x 4 , Part O x 2
Install them with Screw I x 4



Step 2:

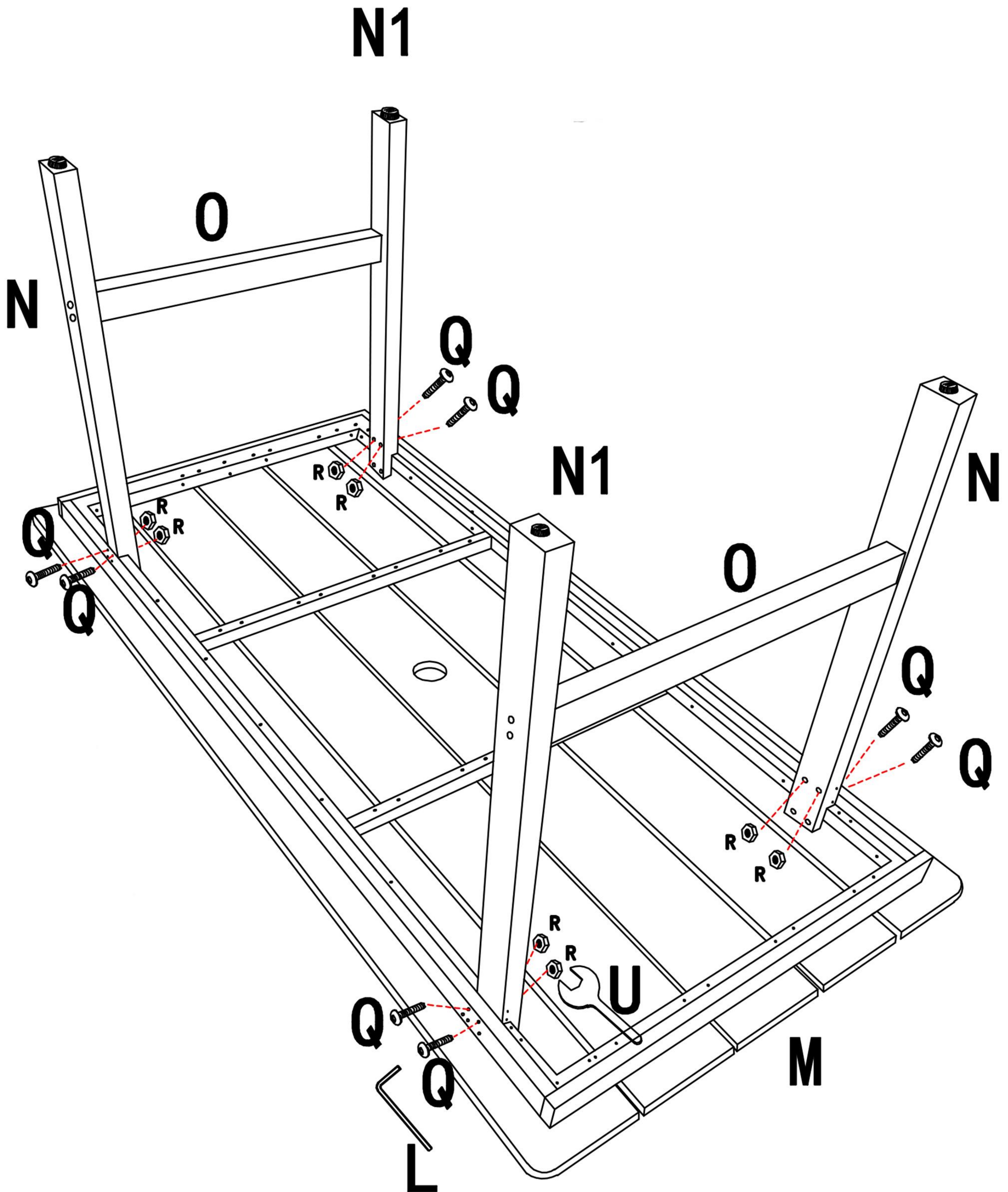
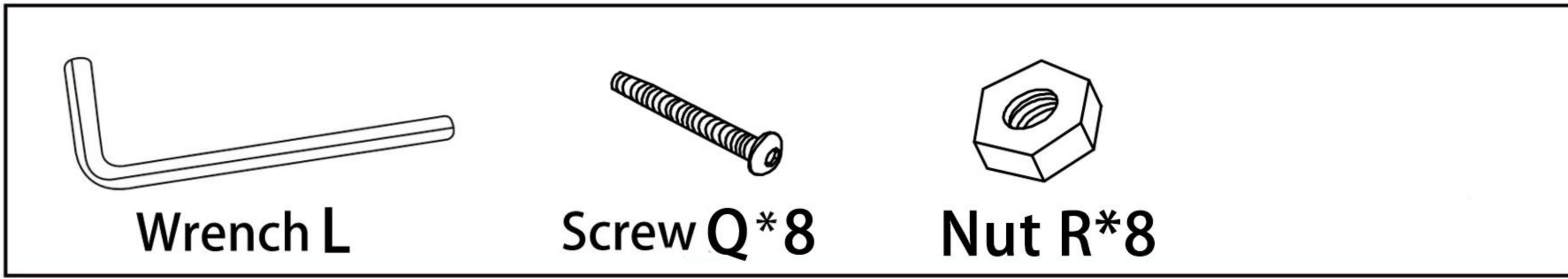
Take out Tabletop Part Mx1

Install Tabletop with Chair Leg use Screws S x 8



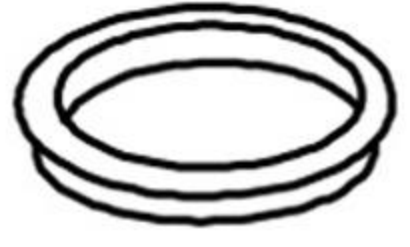
Step 3:

Attach tabletop and tablelegs with Screw Q x 8 and Nuts R x 8



Step 5:

Place the umbrella hole cover(Part W) into the hole



Part W

