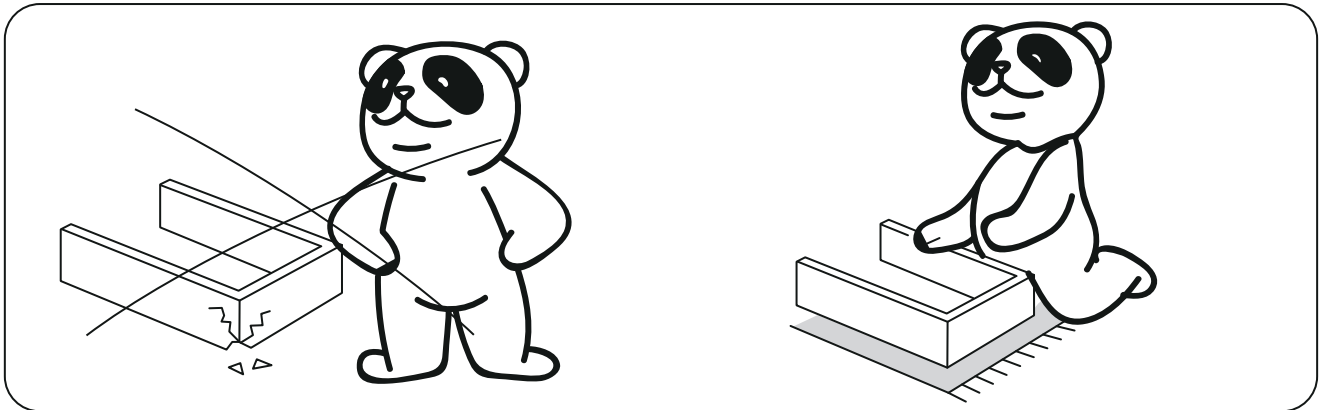
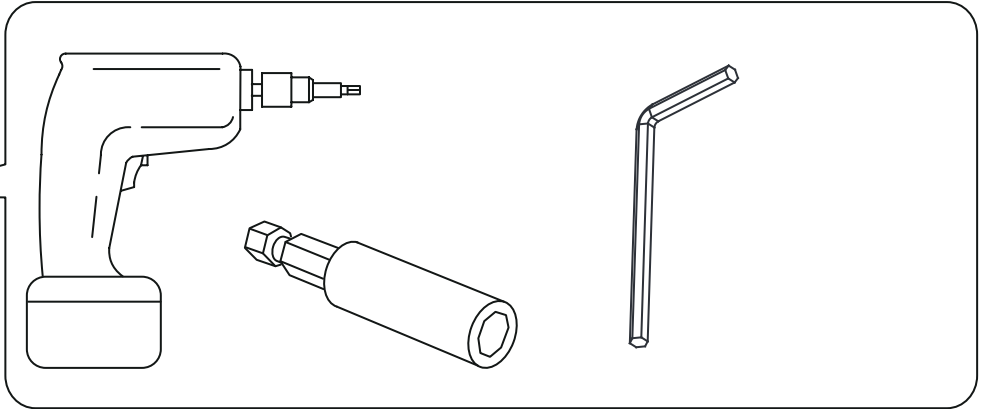
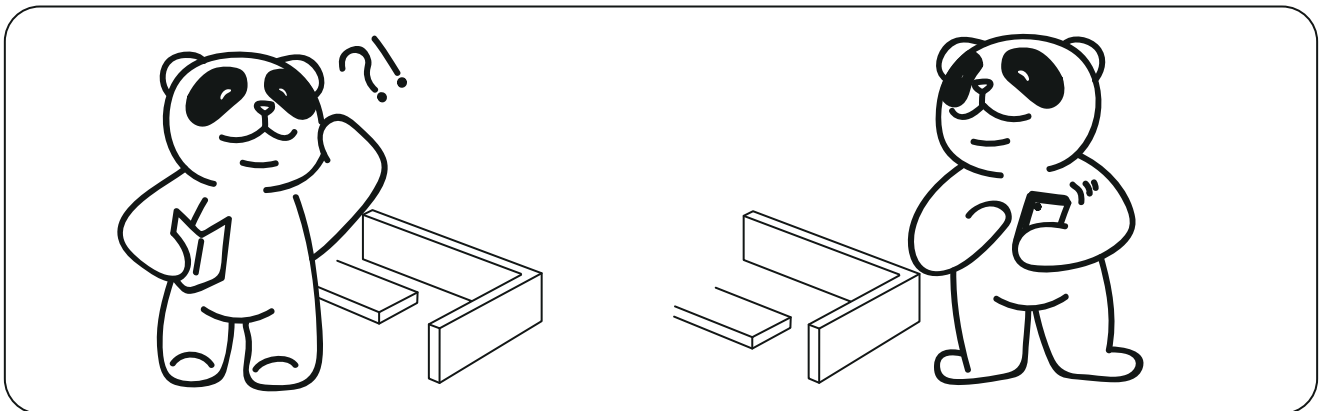


Loft Bed

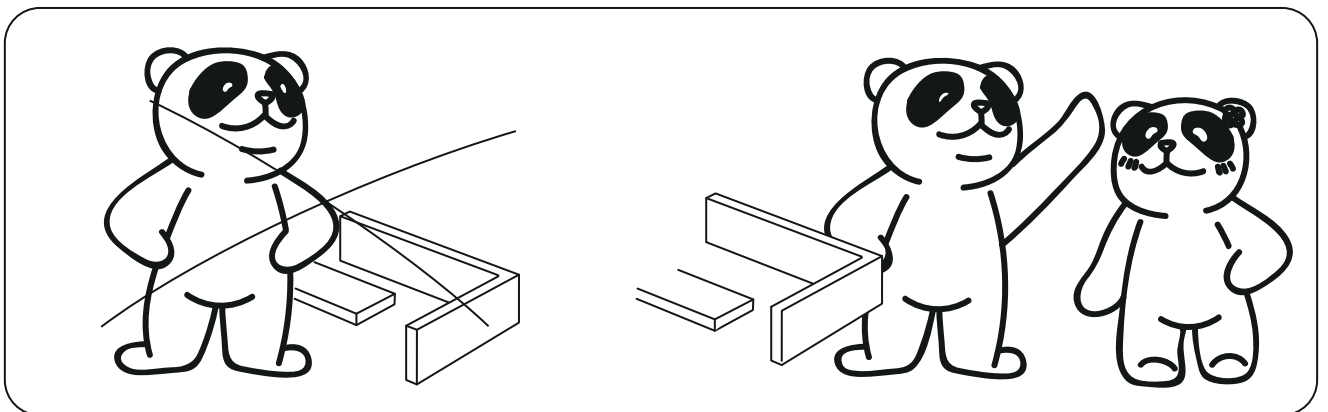




Violent installation is prohibited



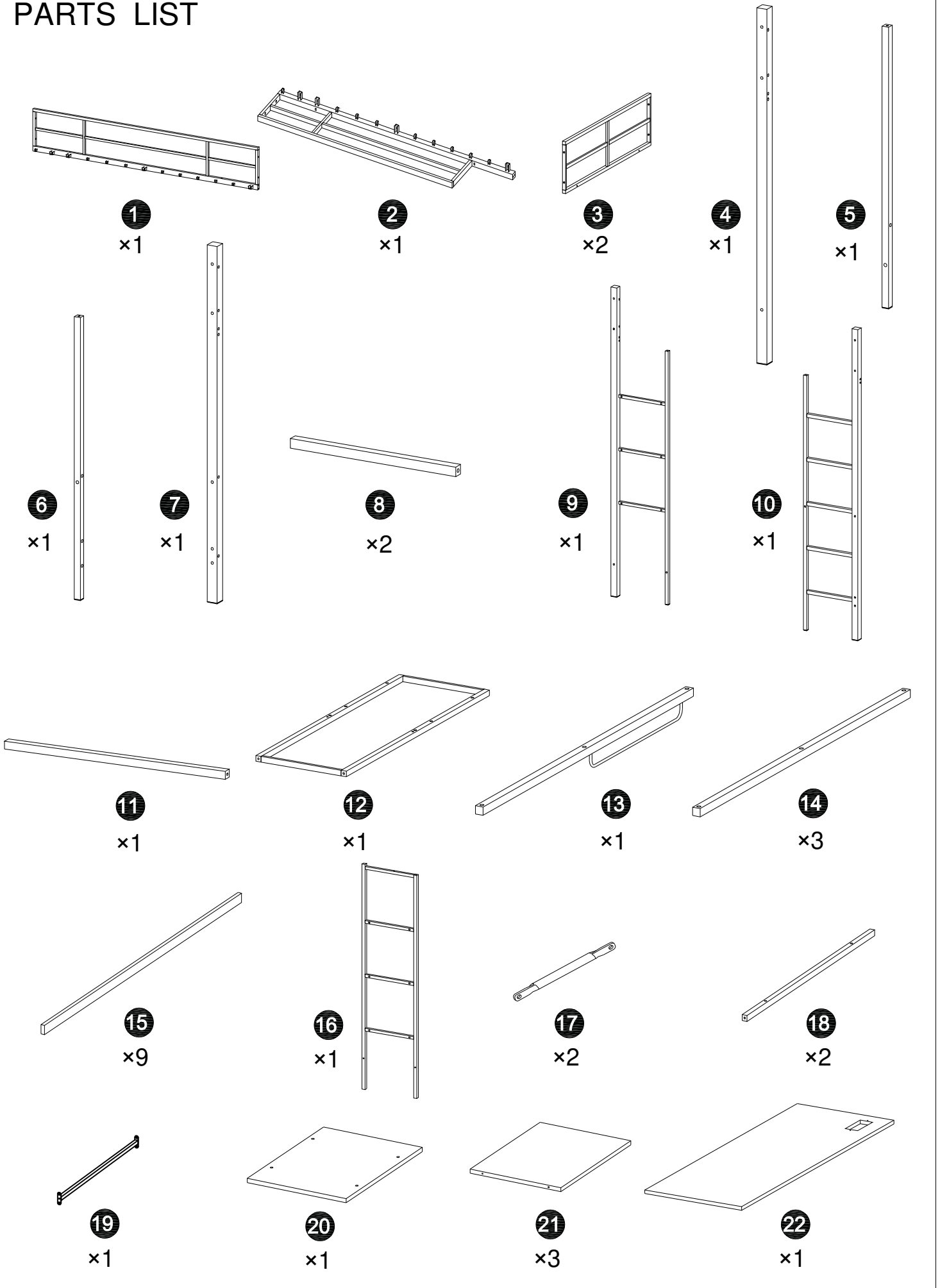
Please call if you need help



Multi-person cooperation is recommended

Install parts

PARTS LIST



HARDWARE LIST



A

M6*10
x12+1



B

M6*25
x8



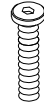
C

M6*28
x9



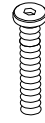
D

M6*32
x4



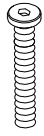
E

M6*40
x19+1



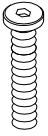
F

M6*50
x6



G

M6*60
x10+1



H

M8*60
x8



I

φ5*40
x12+1



J

M6*17
x18+1



K

3.5*12
x2



L

M8*60
x2



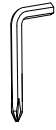
M

φ18*8
x32+3



N

M4*7
x4



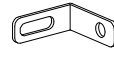
O

M4
x2



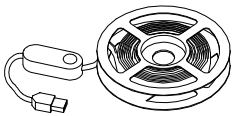
P

x1



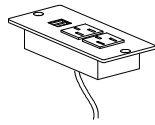
Q

x2



R

x1



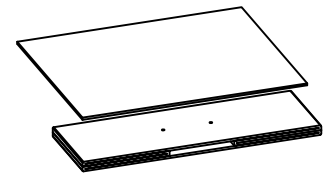
S

x1



T

x3



U

x2



V

x2



W

x1



X

x3



Y

x1

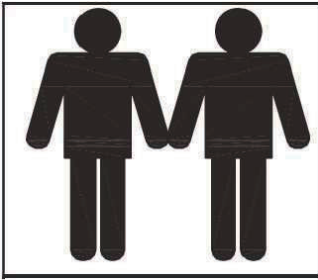


Z

M3
x1

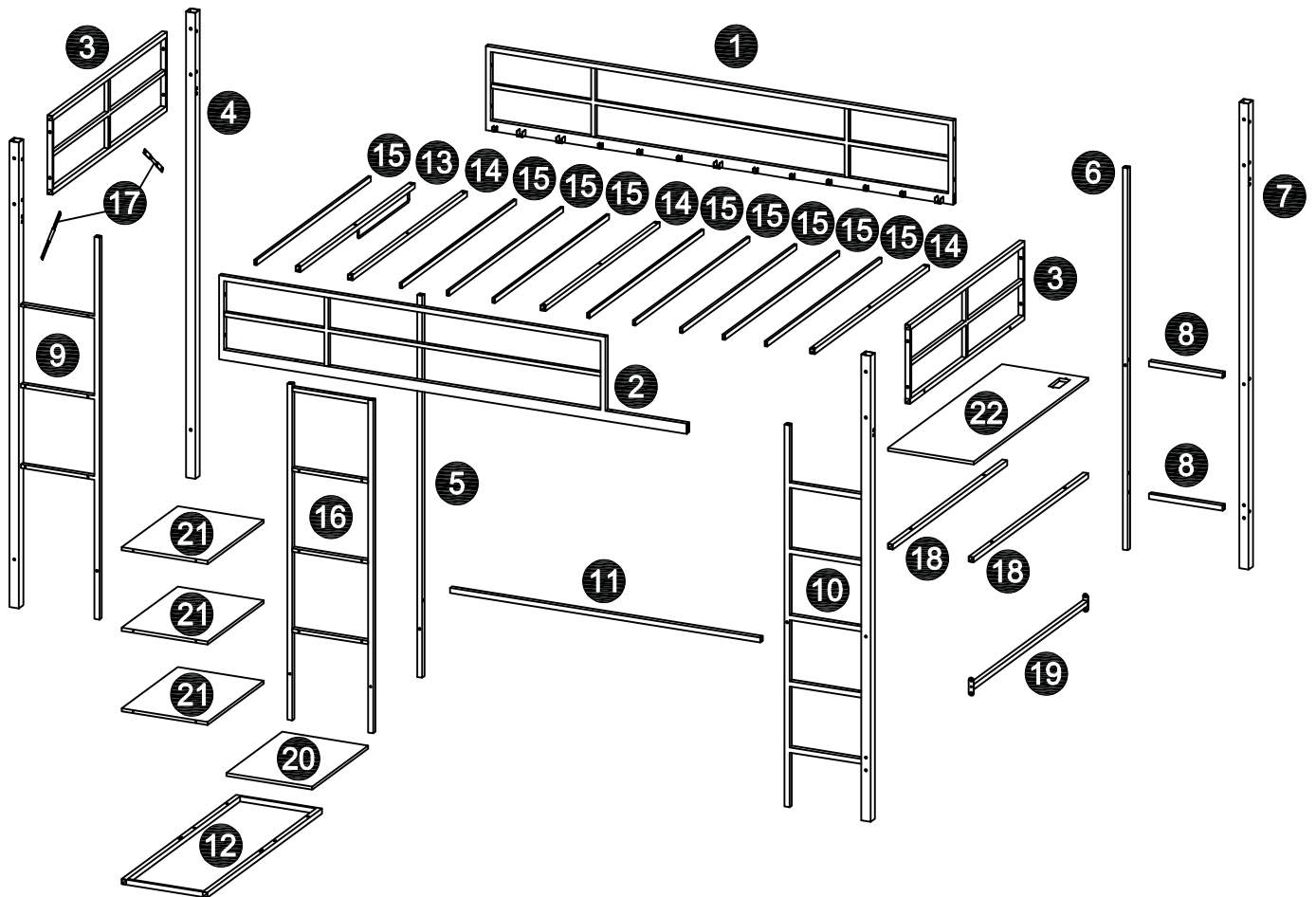
Note:

1. Should be assembled on flat ground to keep balance.
2. Before completing the installation, do not tighten the screws.

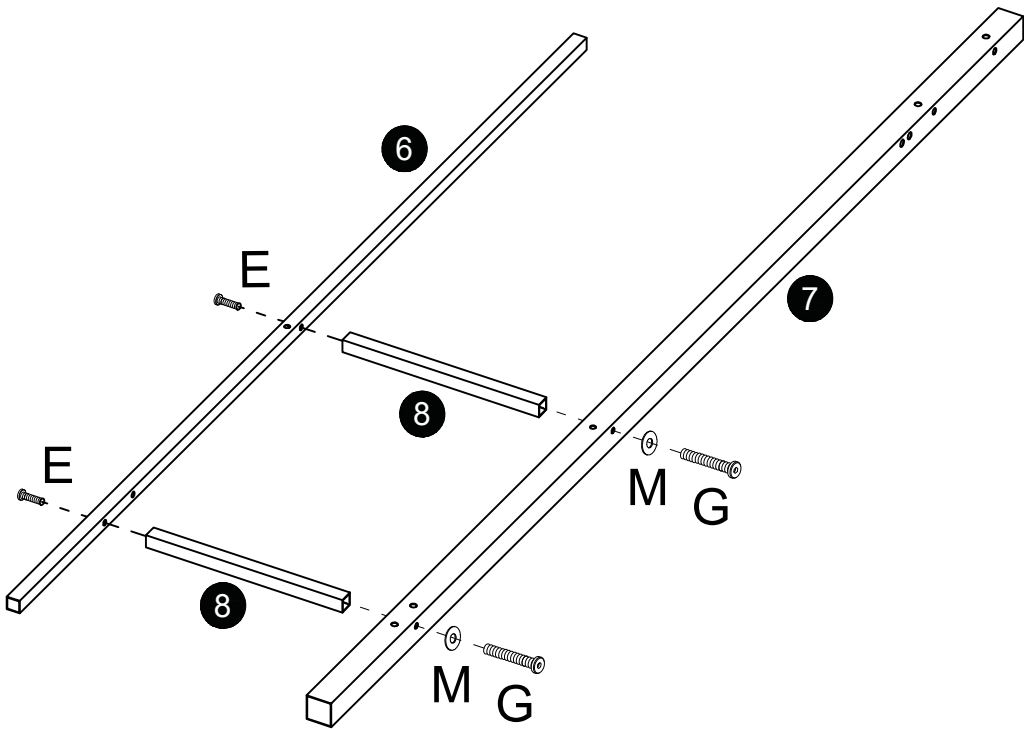


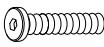


**Before starting the assembly,
you must read the whole manual
and follow the instructions**

**It needs at least
two people to install.**




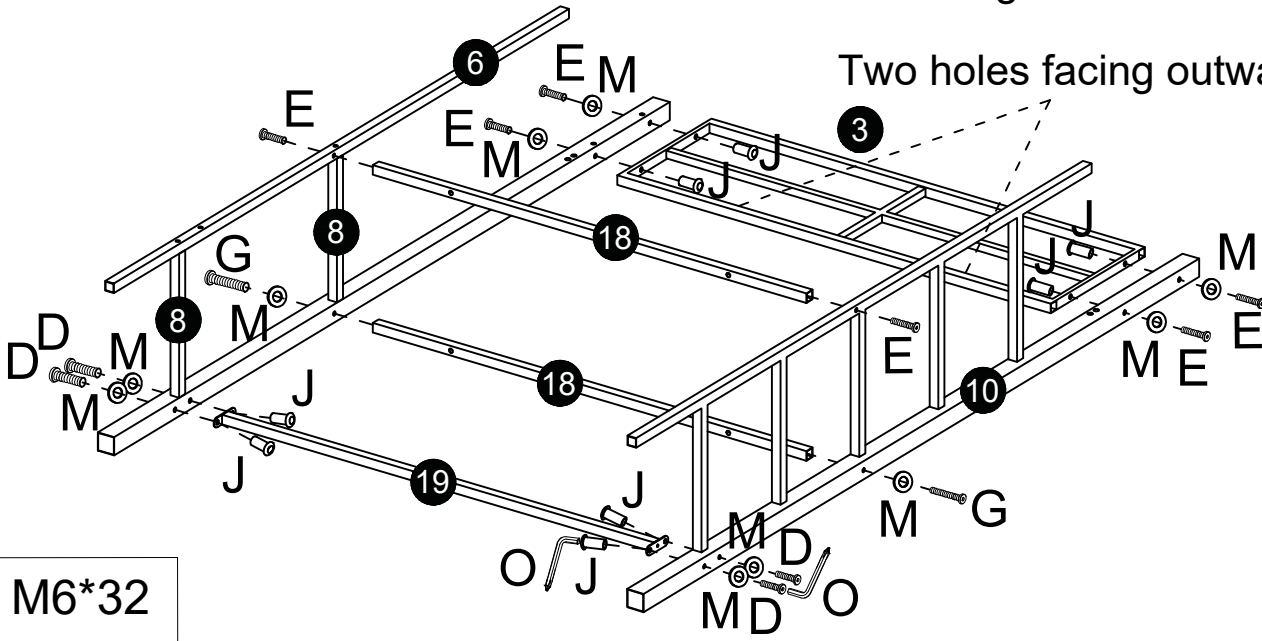
1



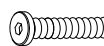
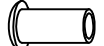




E	M6*40	G	M6*60	M	φ18*8
	x2		x2		x2

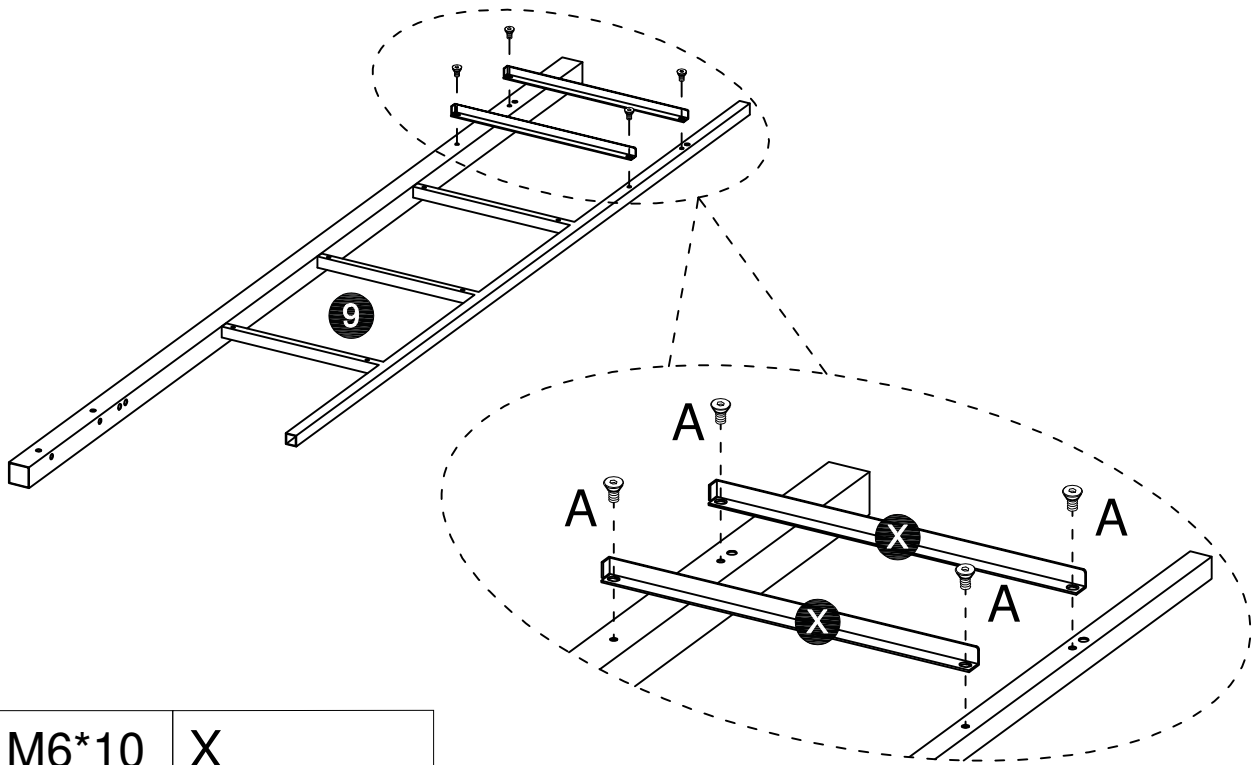
2


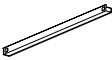
 Be careful not to overtighten the screws.



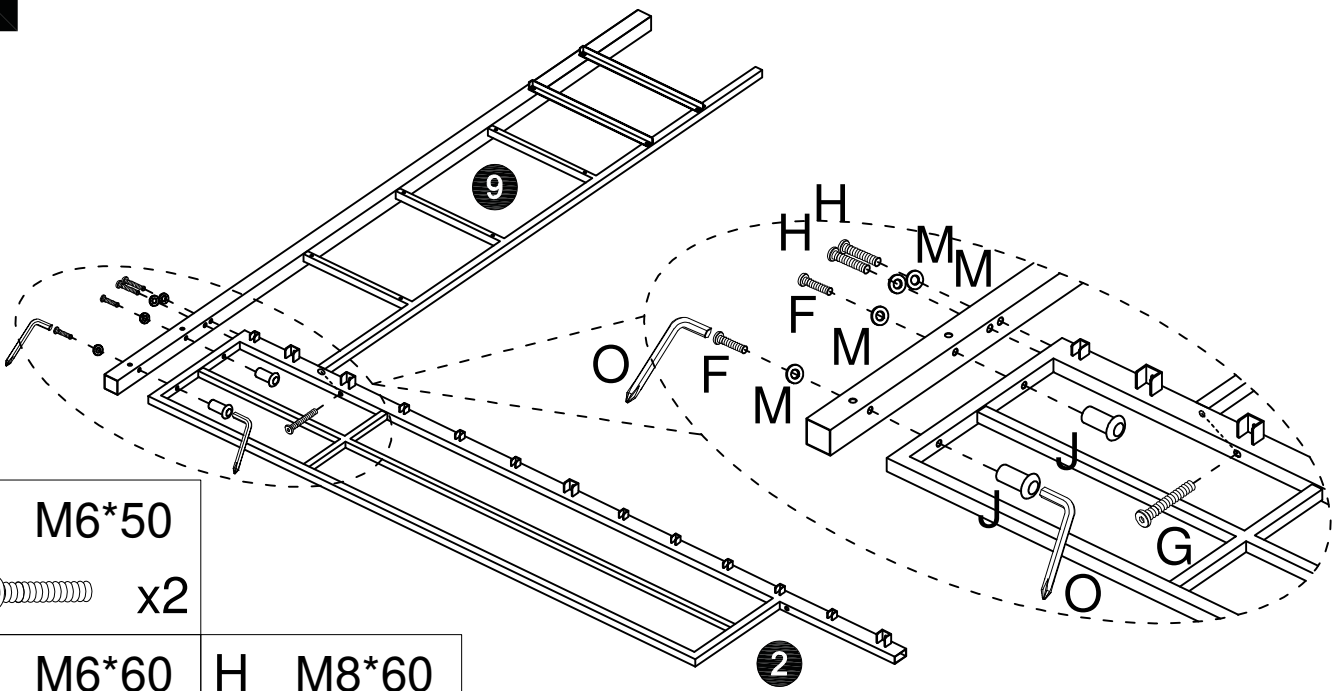
D	M6*32	E	M6*40	G	M6*60	J	M6*17	M	φ18*8	O	M4
	x4		x6		x2		x8		x10		x2

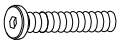
3

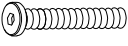
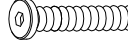


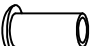


A	M6*10	X
	x4	 x2

4



F	M6*50
	x2

G	M6*60	H	M8*60
	x1		x2

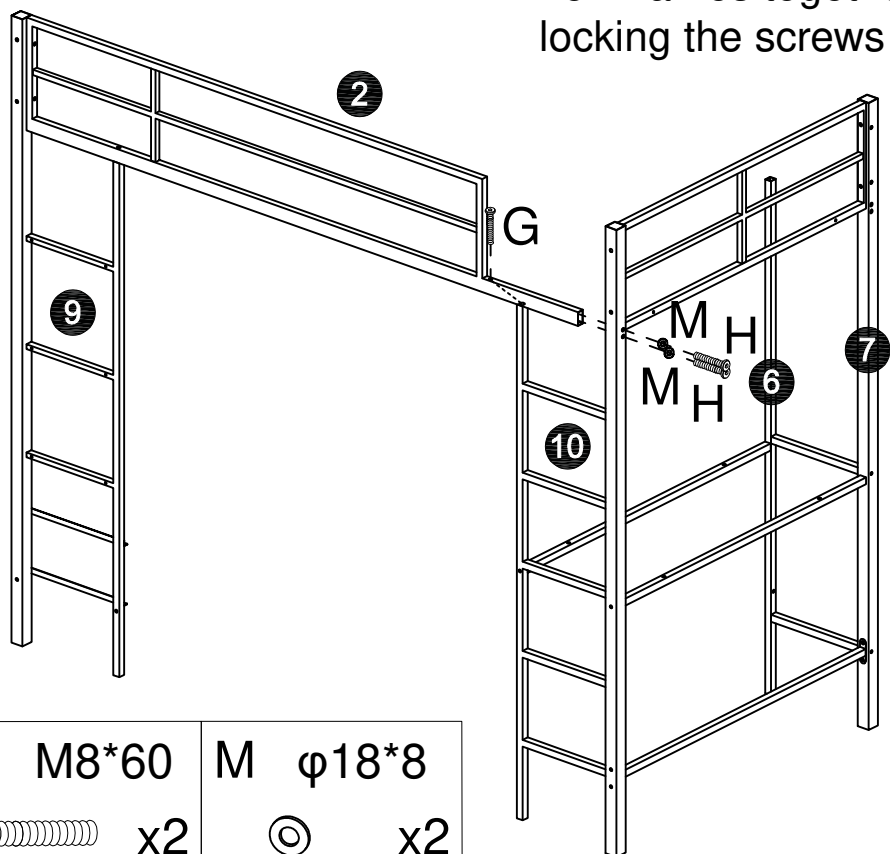
J	M6*17	M	φ18*8	O	M4
	x2		x4		x2

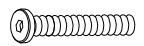
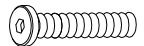



Please lock the separate iron frames together before locking the screws G.

5

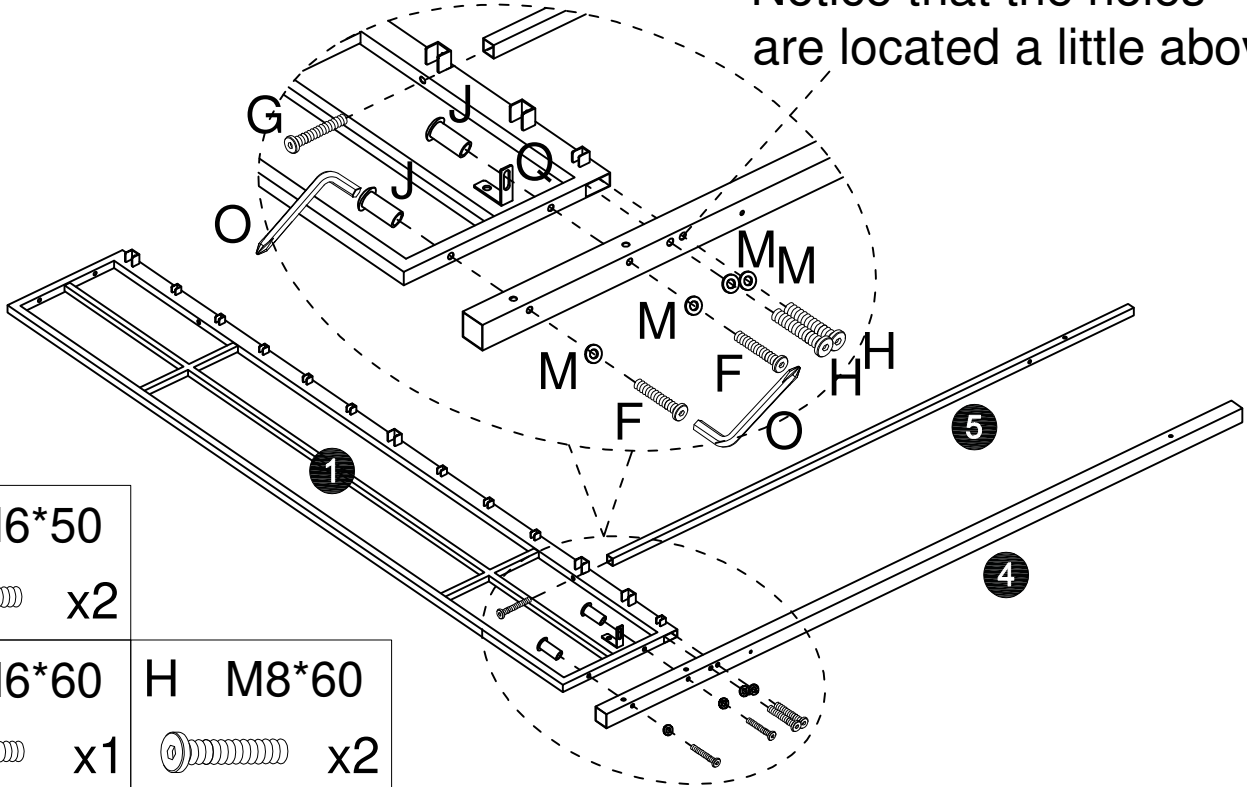
⚠ Please lock the separate iron frames together before locking the screws G.




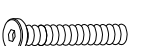
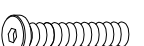
G M6*60	H M8*60	M φ18*8
 x1	 x2	 x2

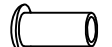


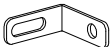
6

Notice that the holes are located a little above.

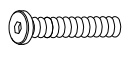
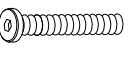
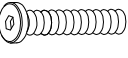
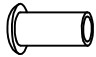


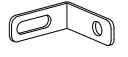


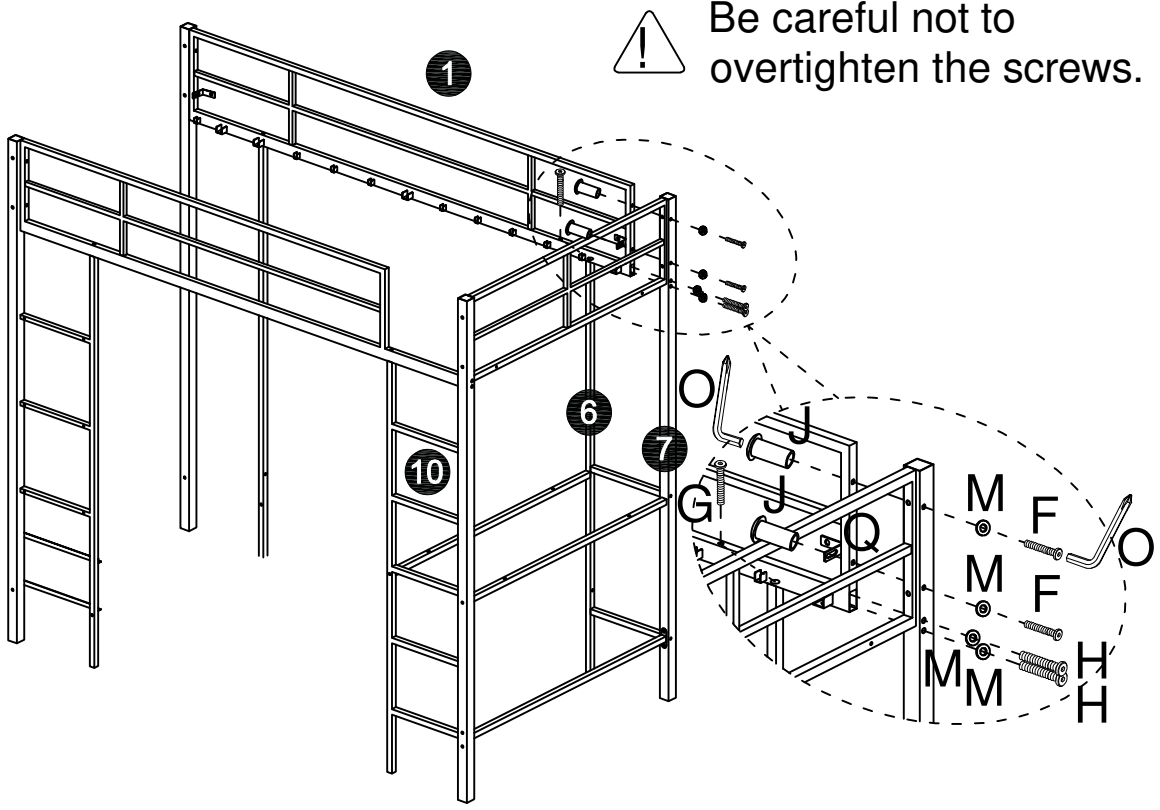
F M6*50
 x2

G M6*60	H M8*60
 x1	 x2

J M6*17	M φ18*8	O M4	Q
 x2	 x4	 x2	 x1

7

F	M6*50		x2
G	M6*60		x1
H	M8*60		x2
J	M6*17		x2
M	φ18*8		x4
O	M4		x2
Q			x1

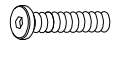
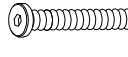
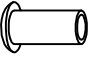



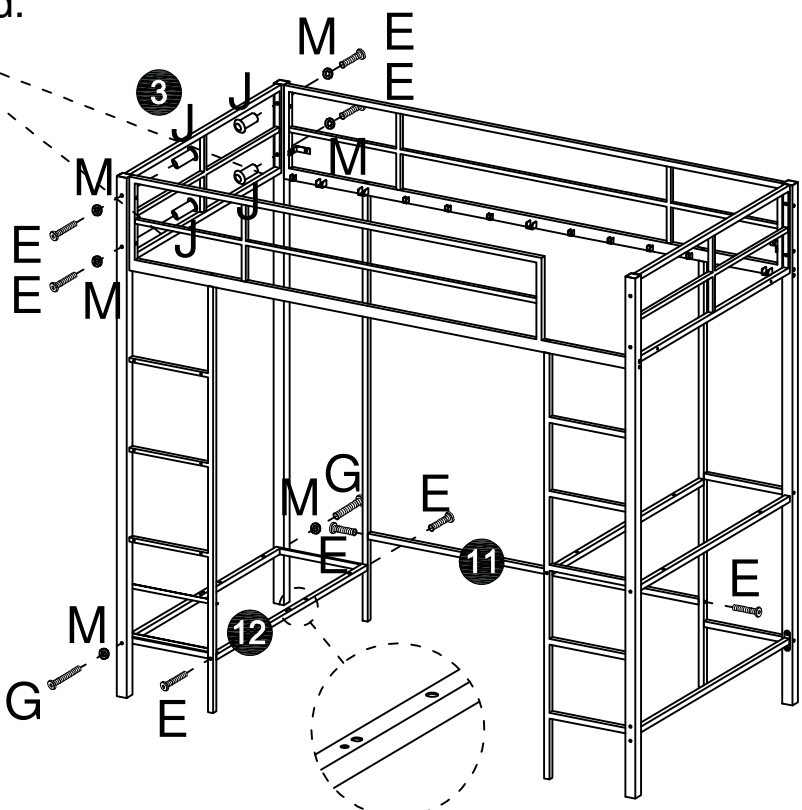
Be careful not to overtighten the screws.

Please lock the separate iron frames together before locking the screws G.

8

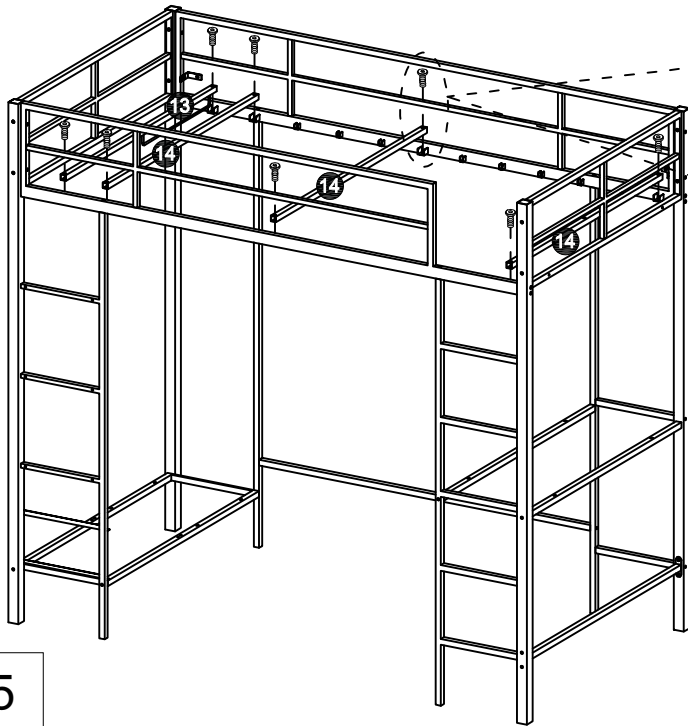
Two holes facing outward.


E	M6*40		x8
G	M6*60		x2
J	M6*17		x4
M	φ18*8		x6



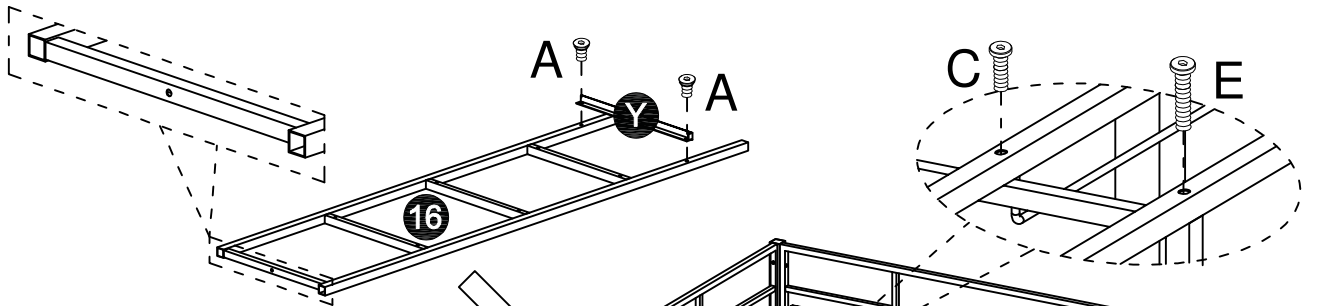
Be careful not to overtighten the screws.

9




B M6*25
 x8


10

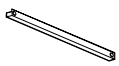


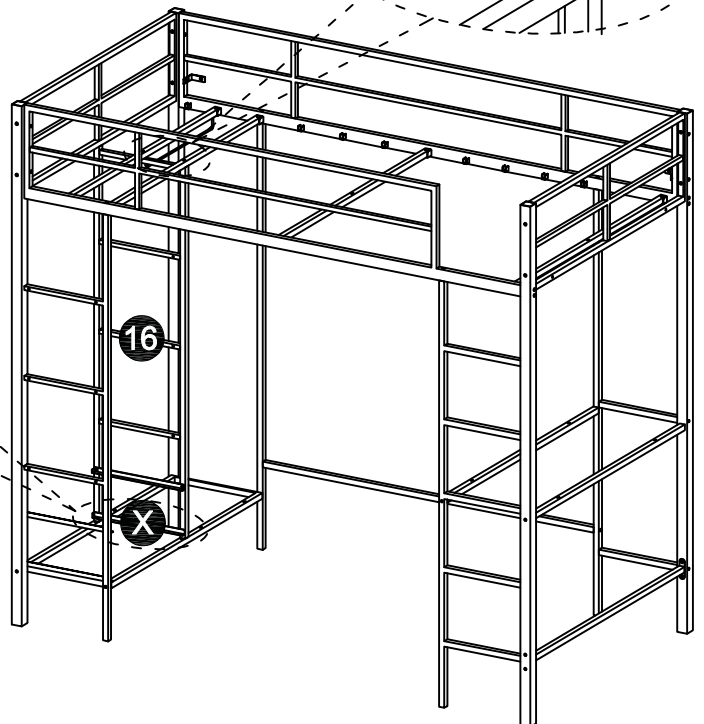
A M6*10
 x4

C M6*28
 x1

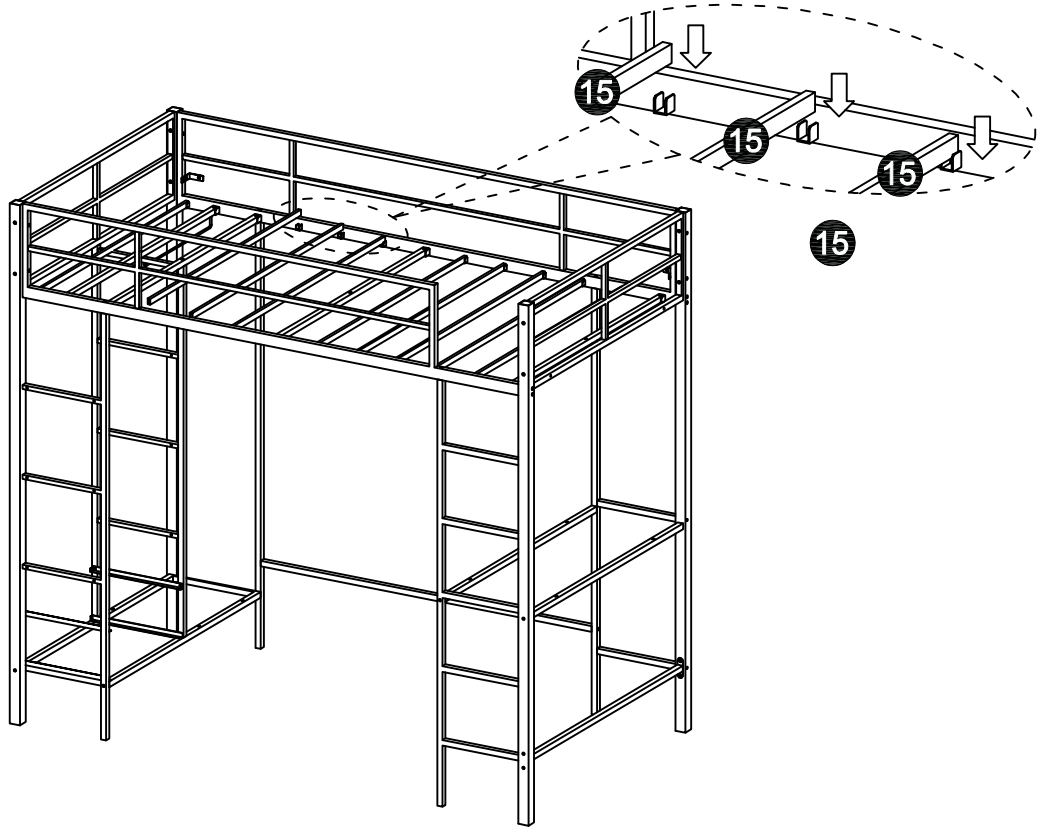
E M6*40
 x3

X
 x1

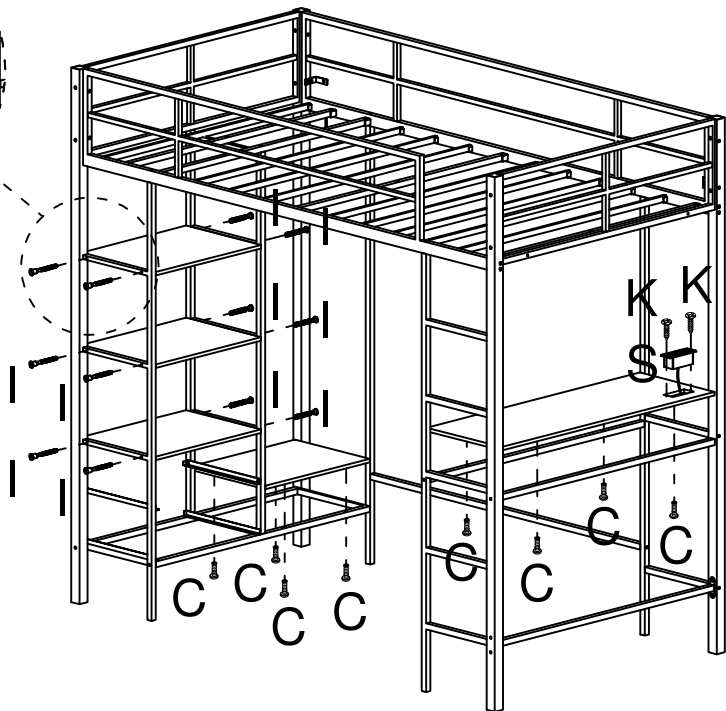
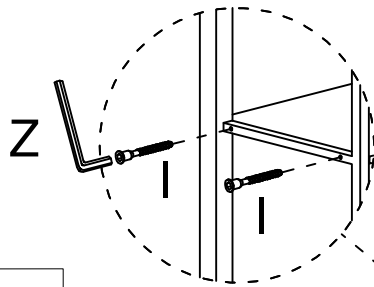
Y
 x1



11



12




C M6*28

 x8

I ϕ 5*40

 x12

K 3.5*12

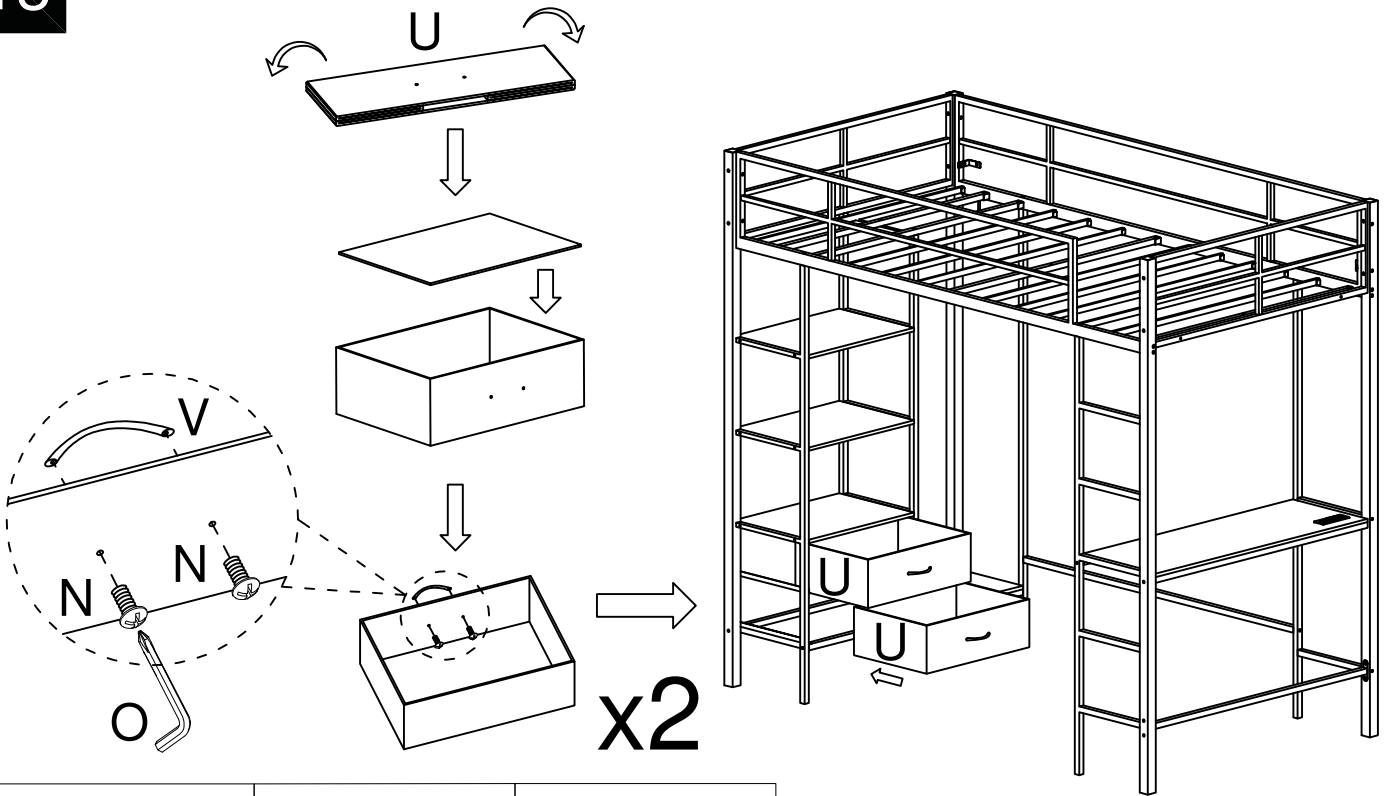
 x2




S  x1

Z M3


 x1

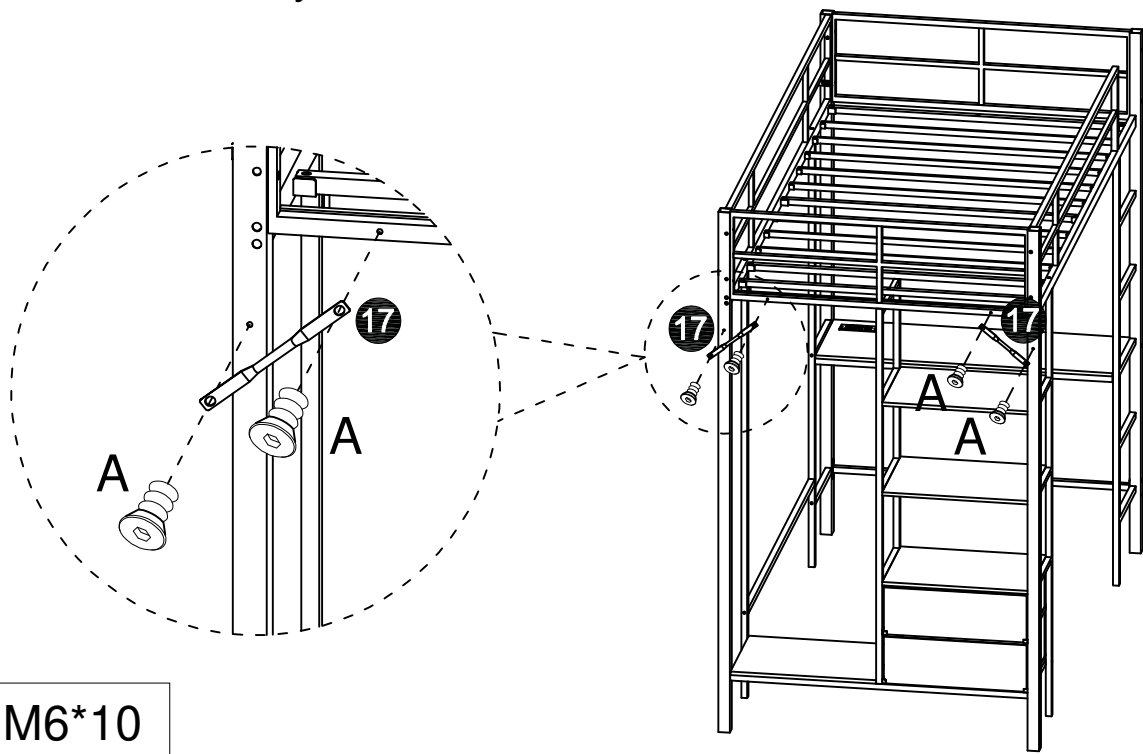
13



N	M4*7	U	V
	x4		
		x2	x2

14

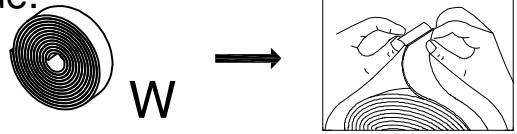
 Lock all screws after assembly.



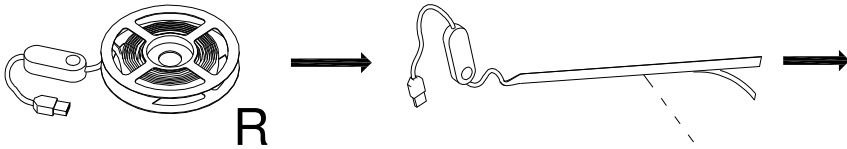
A	M6*10
	x4

1: Please remove the adhesive tape numbered W first, and then stick it to the bottom of the bed side.

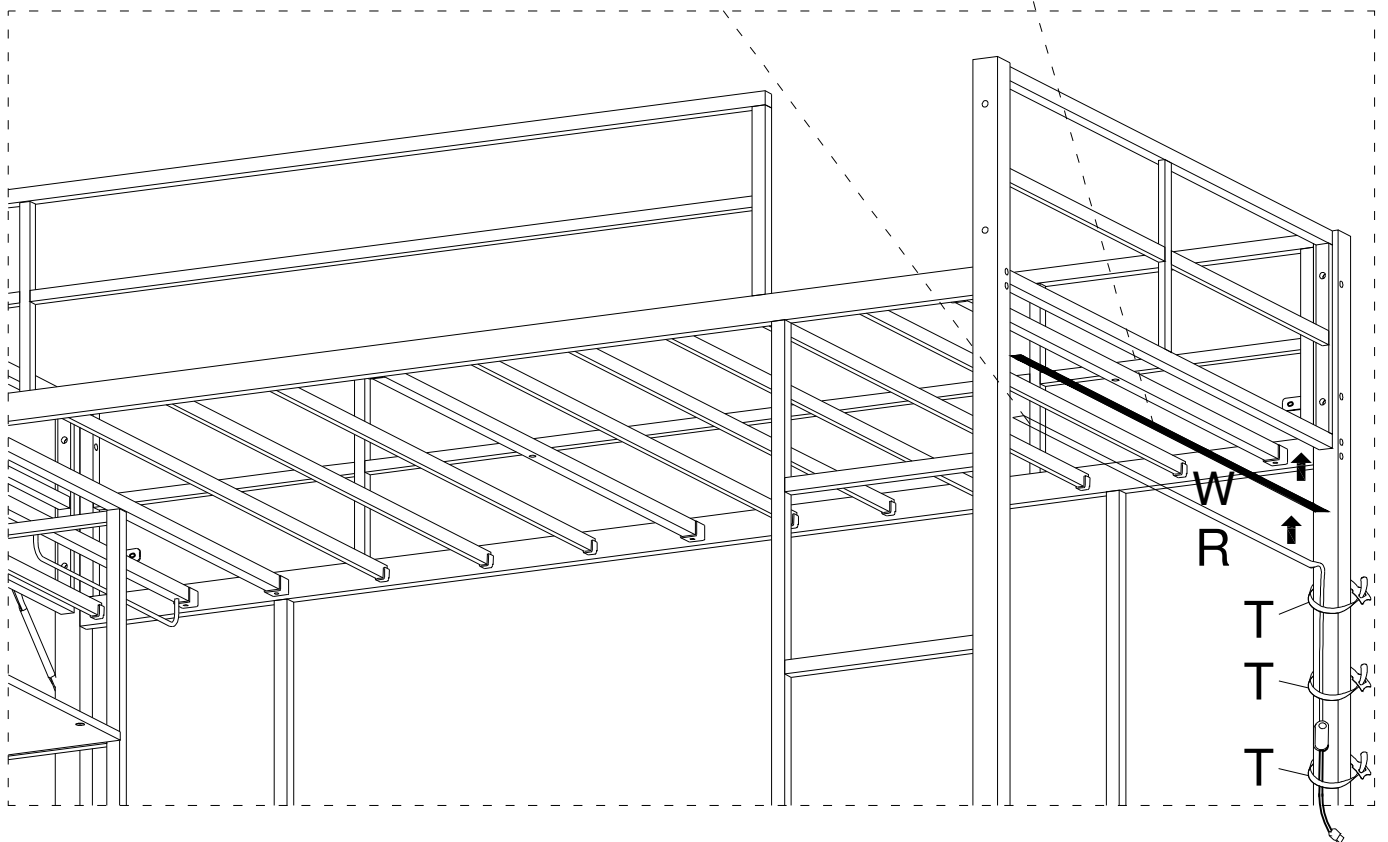
As shown in the figure



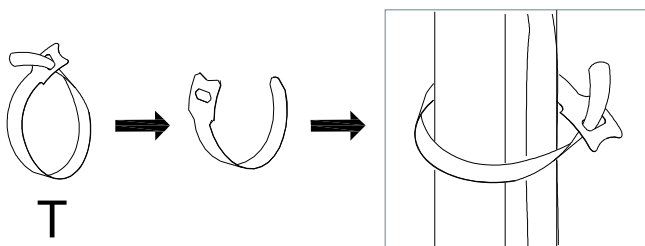
2: Unfold the light belt

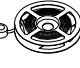





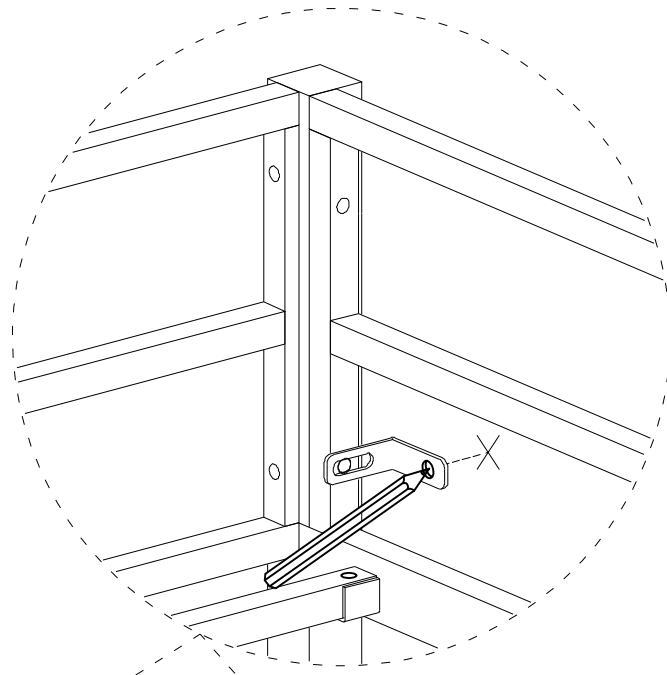
tear off the end of the tape and stick it to the bottom of the bed side tube.



Please loosen the tie and tie it onto the iron pipe. As shown in the figure.



	 W	x1
 R		x1
 T		x3
	 W	x1

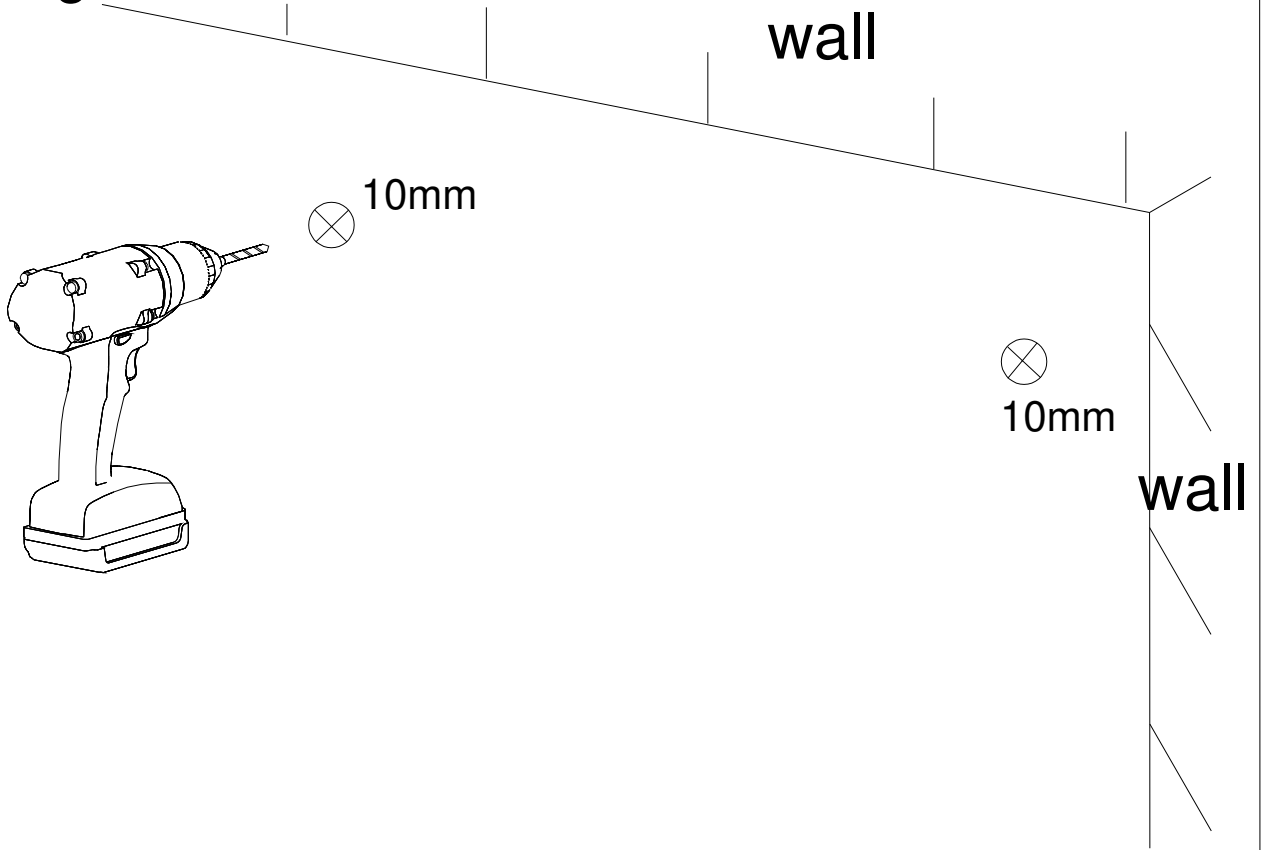


wall

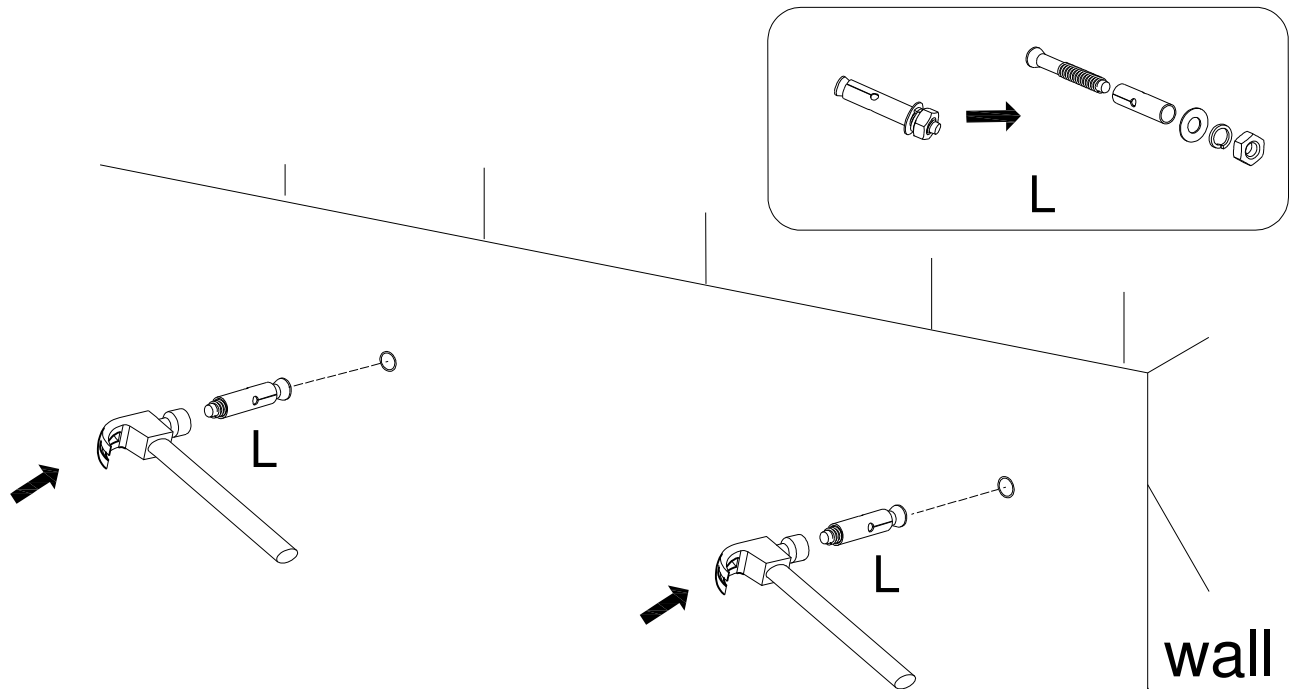


wall

17 Drilling

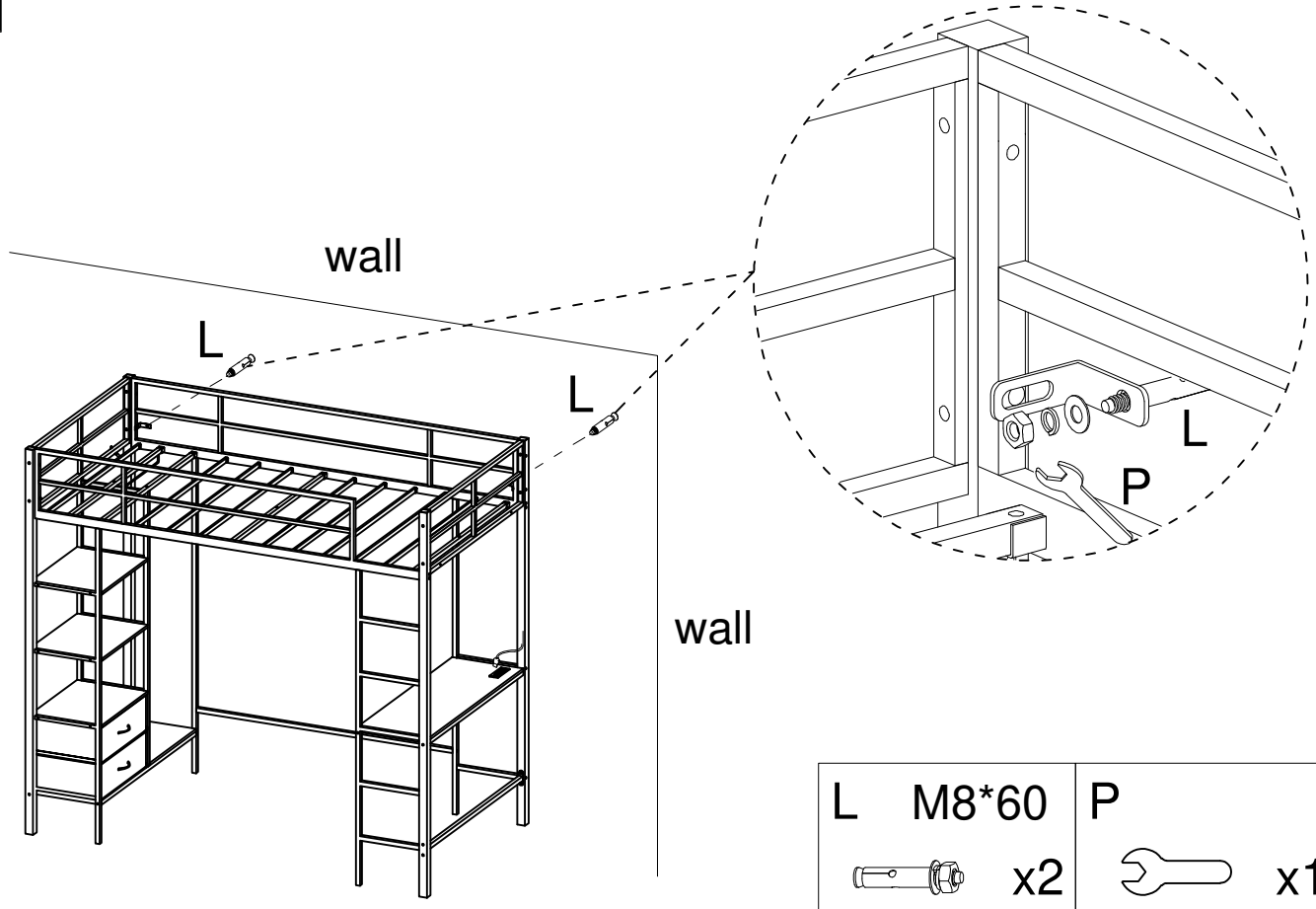


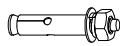

18



Please lock the expansion screw onto the wall.

19



L	M8*60	P
	x2	 x1

20



Please insert the plug of the light strip into the socket.