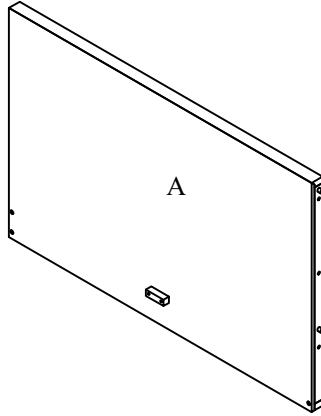


# KING BED

## ASSEMBLY INSTRUCTIONS

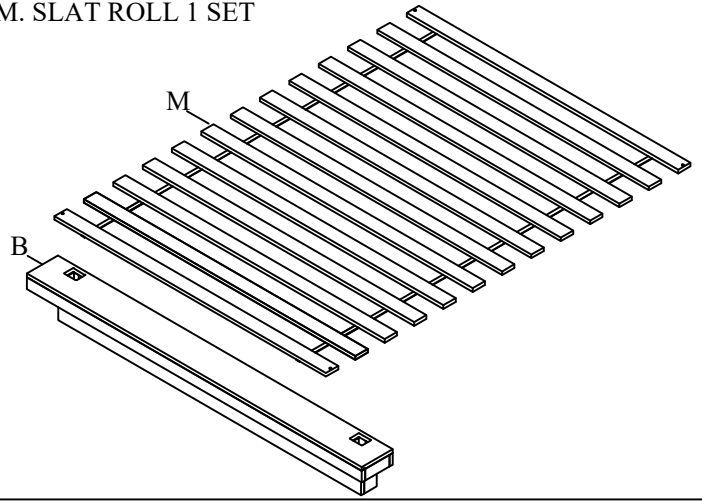
### BOX #1

A. HEADBOARD 1PC



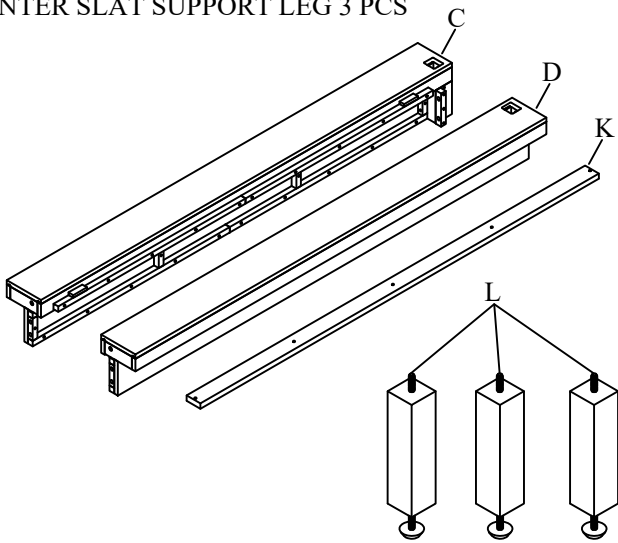
### BOX #2

B. FOOTBOARD 1PC  
M. SLAT ROLL 1 SET



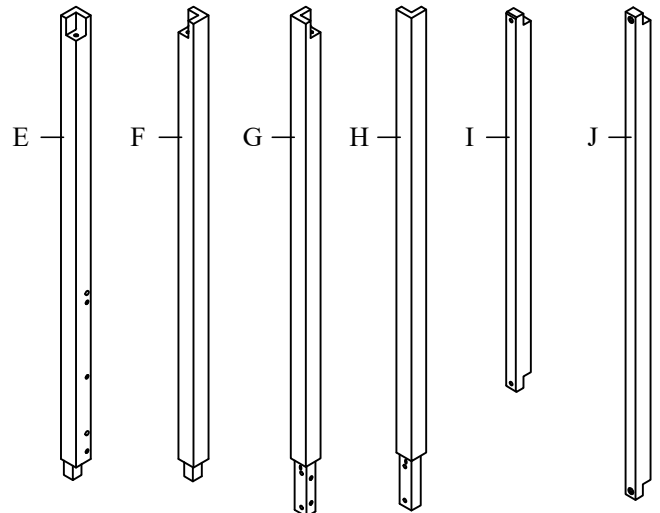
### BOX #3

C. LEFT SIDE RAIL 1 PC  
D. RIGHT SIDE RAIL 1 PC  
K. CENTER SLAT SUPPORT 1 PC  
L. CENTER SLAT SUPPORT LEG 3 PCS



### BOX #4

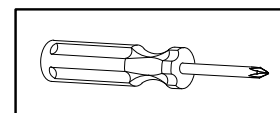
E. LEFT HEADBOARD POST 1PC  
F. RIGHT HEADBOARD POST 1PC  
G. LEFT FOOTBOARD POST 1PC  
H. RIGHT FOOTBOARD POST 1PC  
I. SHORT CROSSBAR 2 PCS  
J. LONG CROSSBAR 2 PCS



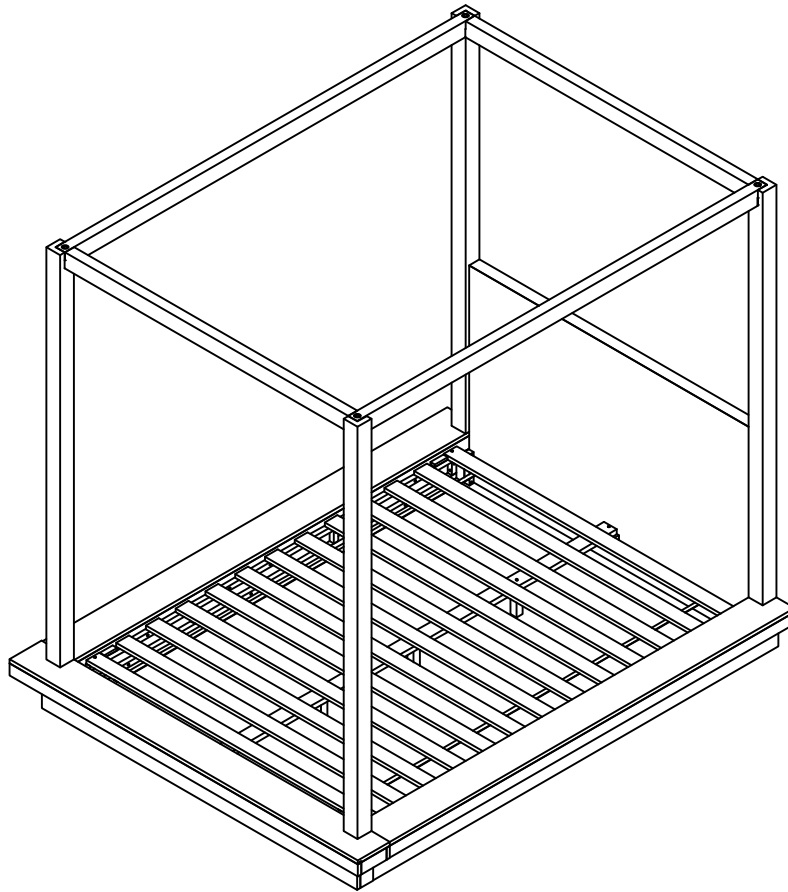
### HARDWARE PACKED IN BOX #2

1	ALLEN BOLT (M8X90)		4 PCS
2	ALLEN BOLT (M8X70)		4 PCS
3	ALLEN BOLT (M8X45)		18 PCS
4	ALLEN BOLT (M8X40)		4 PCS
5	SPRING WASHER (M8)		30 PCS
6	FLAT WASHER (M8)		30 PCS
7	WOOD SCREW (M4X30)		6 PCS
8	ALLEN KEY		1 PC

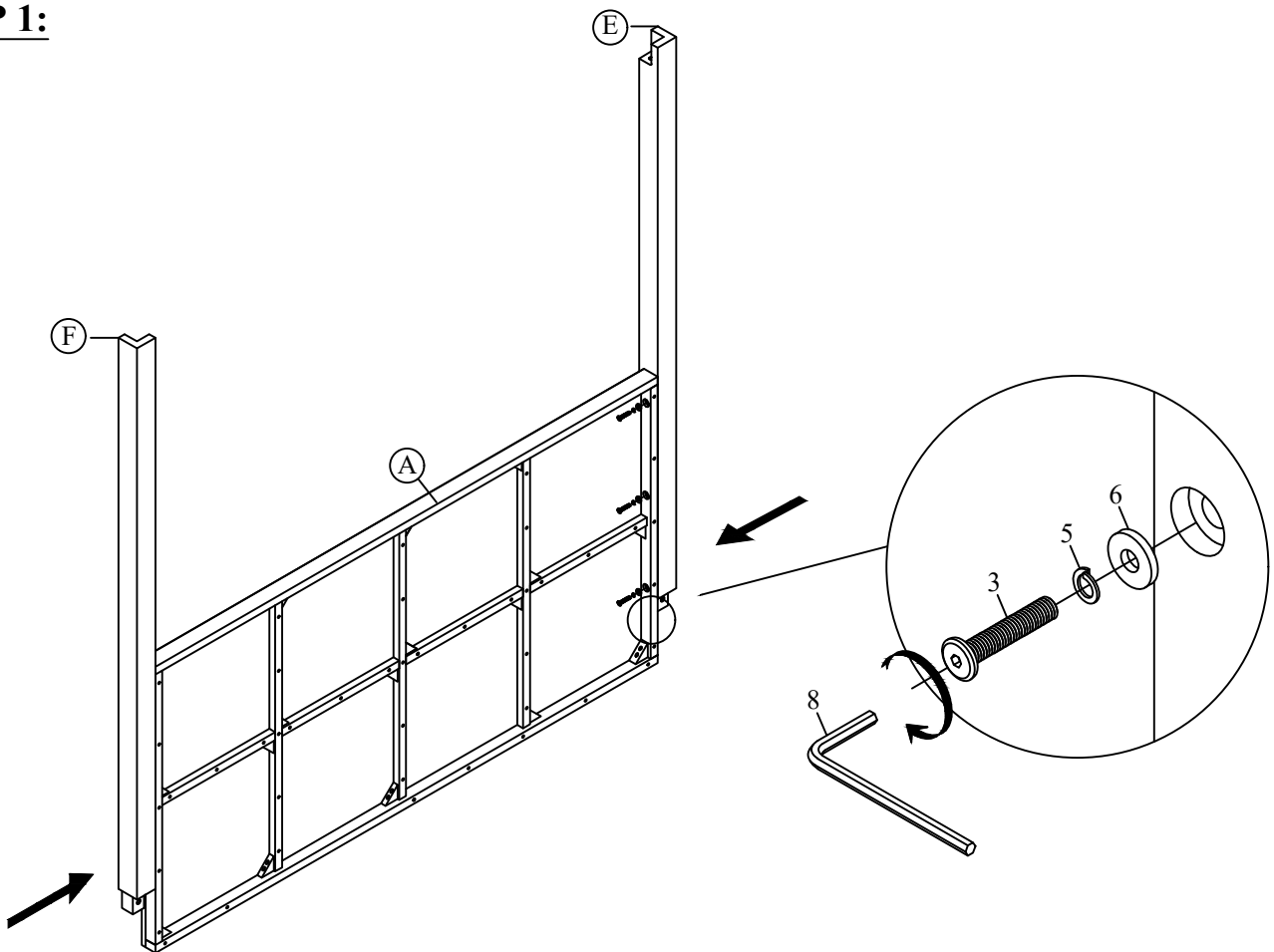
TOOL REQUIRED  
PHILLIPS HEAD SCREW DRIVER AND LADDER  
(NOT PROVIDED)



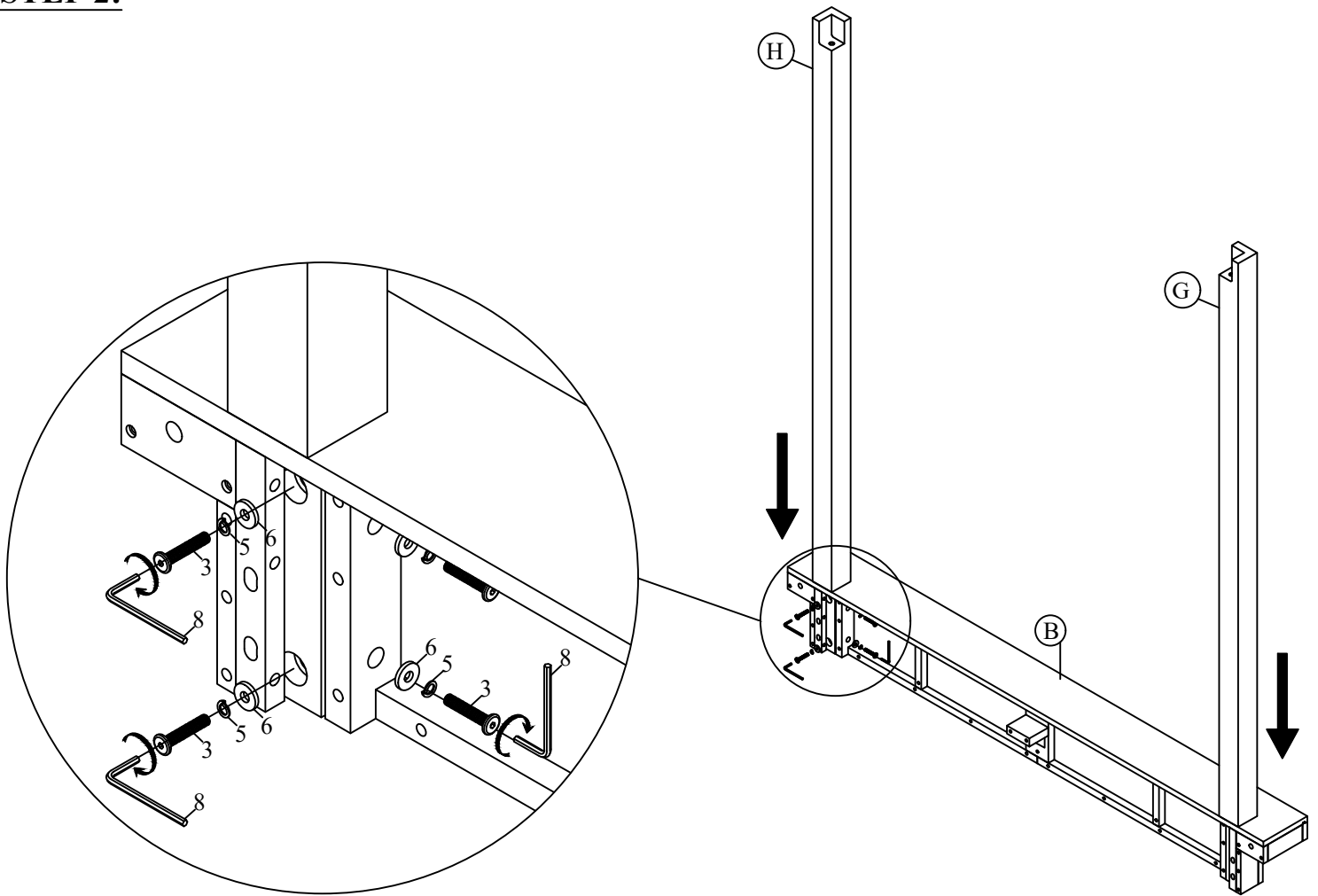
# BED FULLY ASSEMBLED



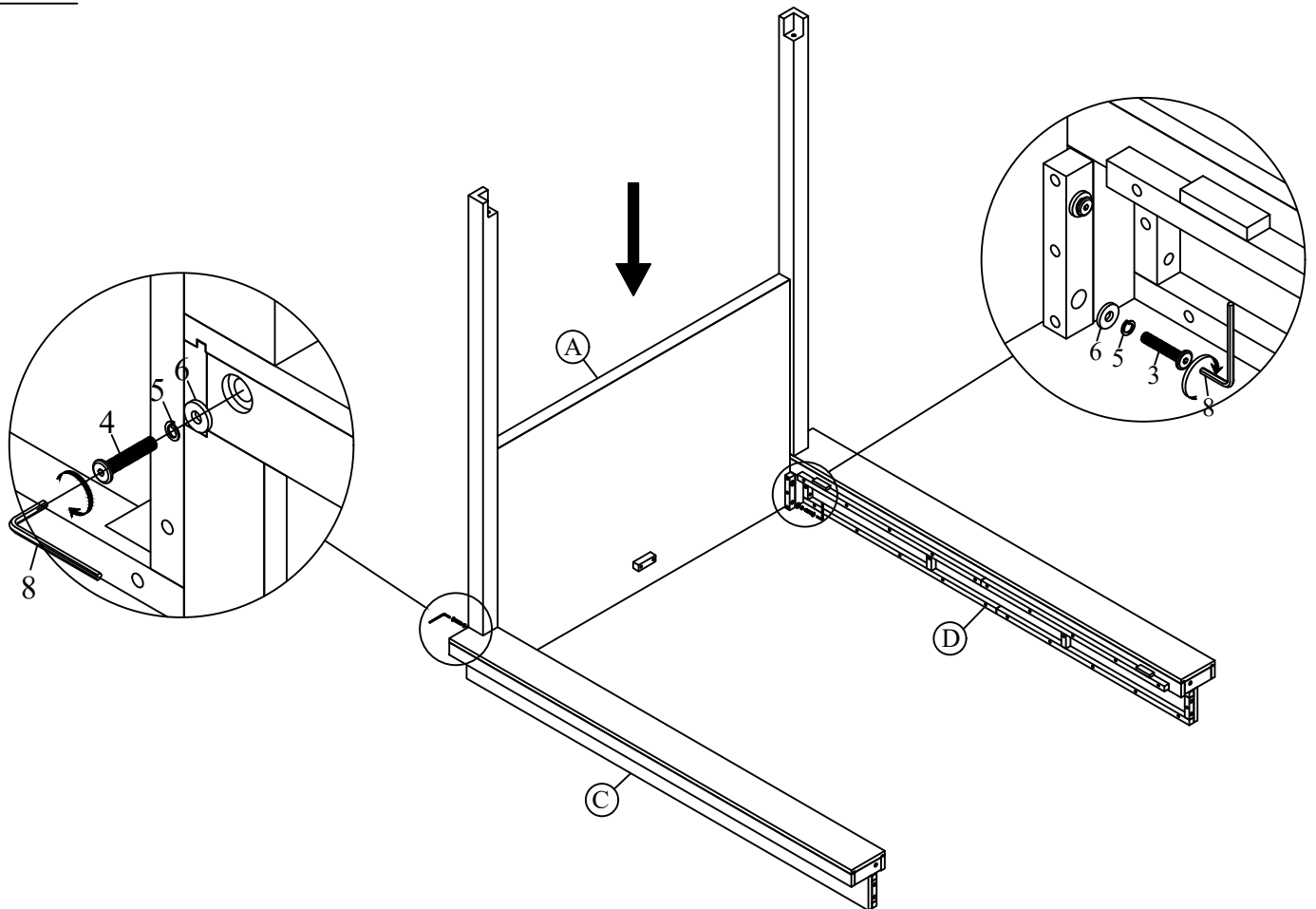
## STEP 1:



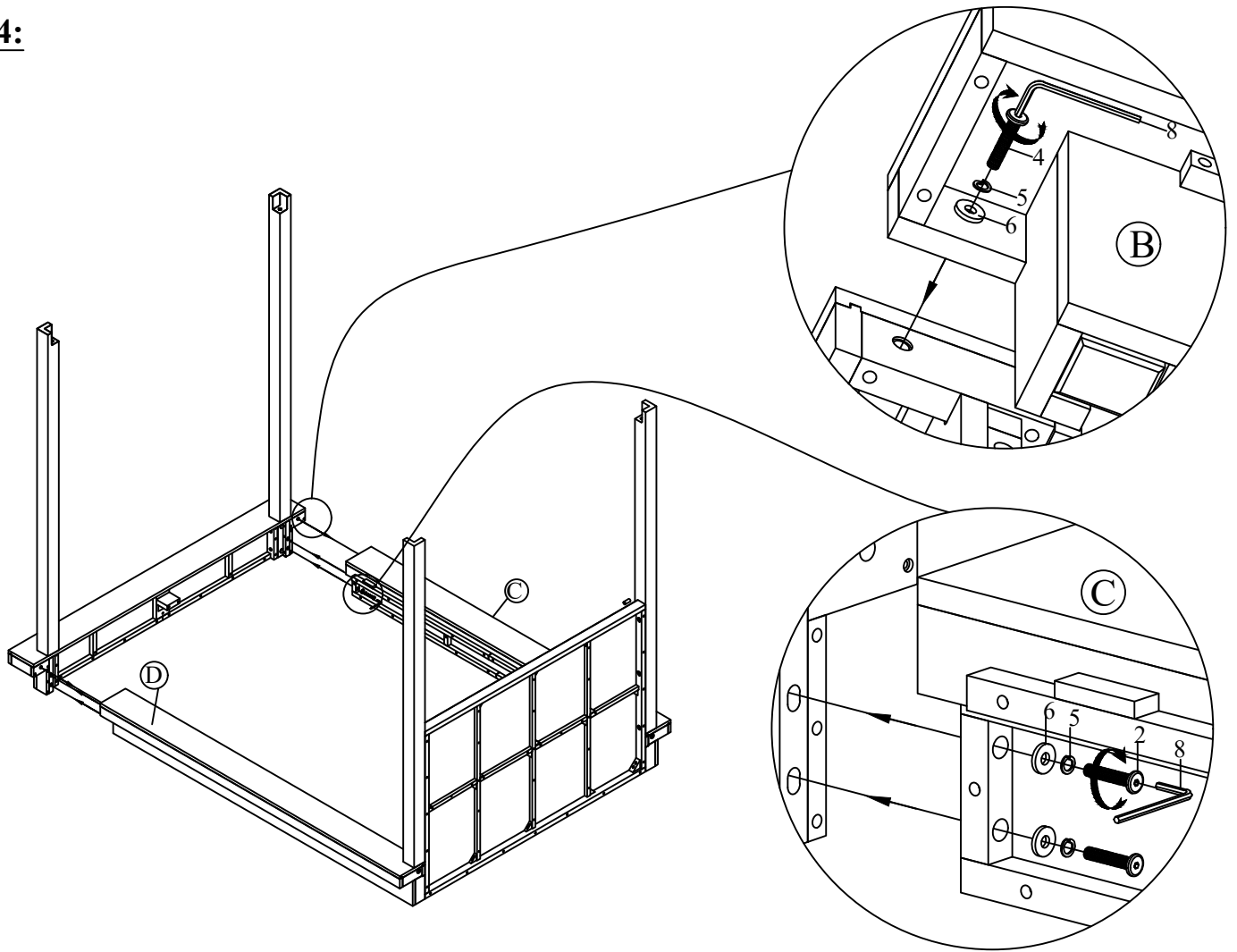
**STEP 2:**



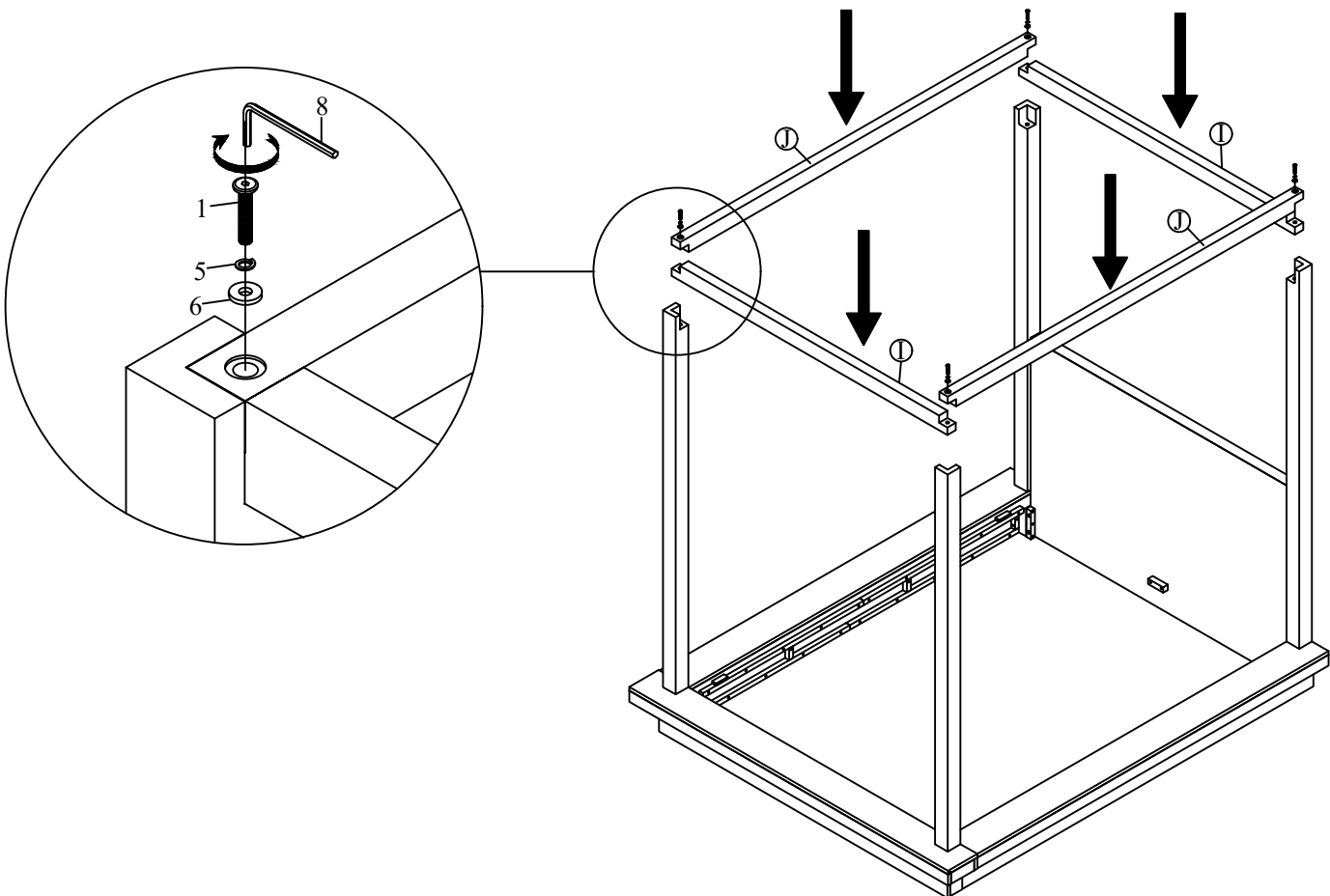
**STEP 3:**



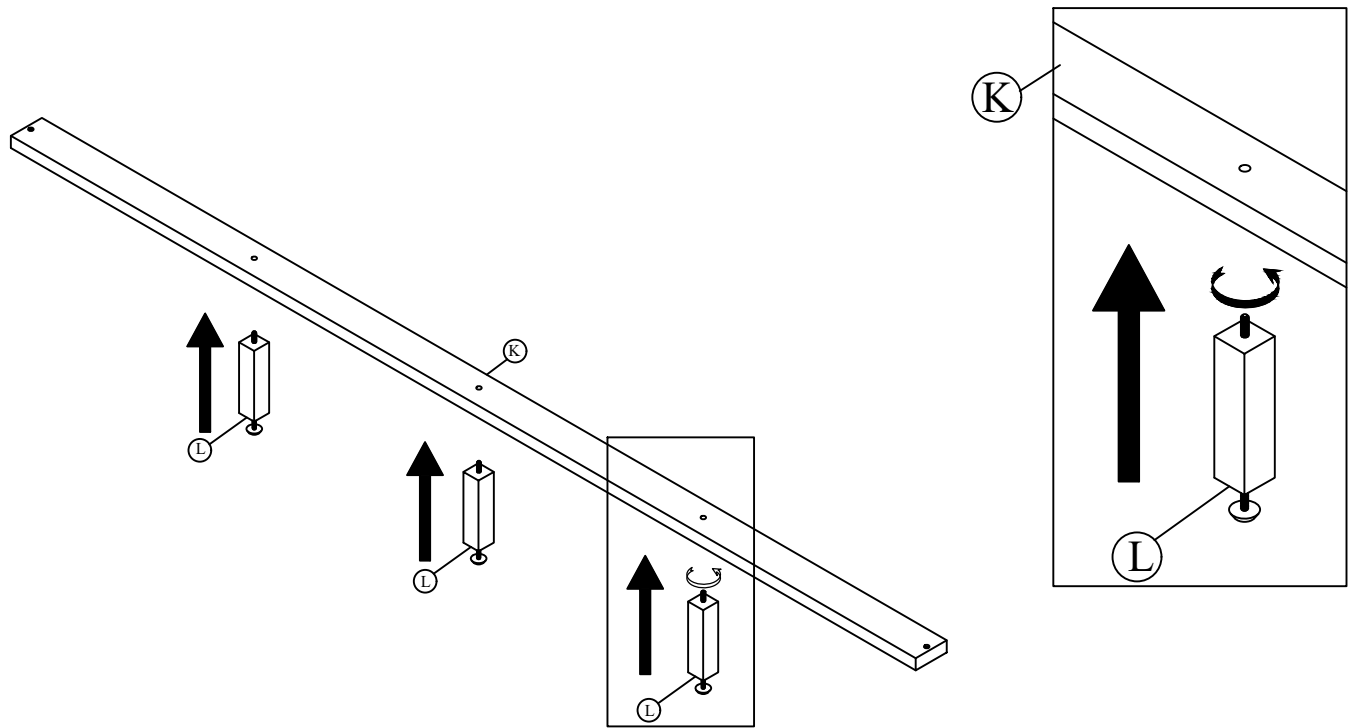
**STEP 4:**



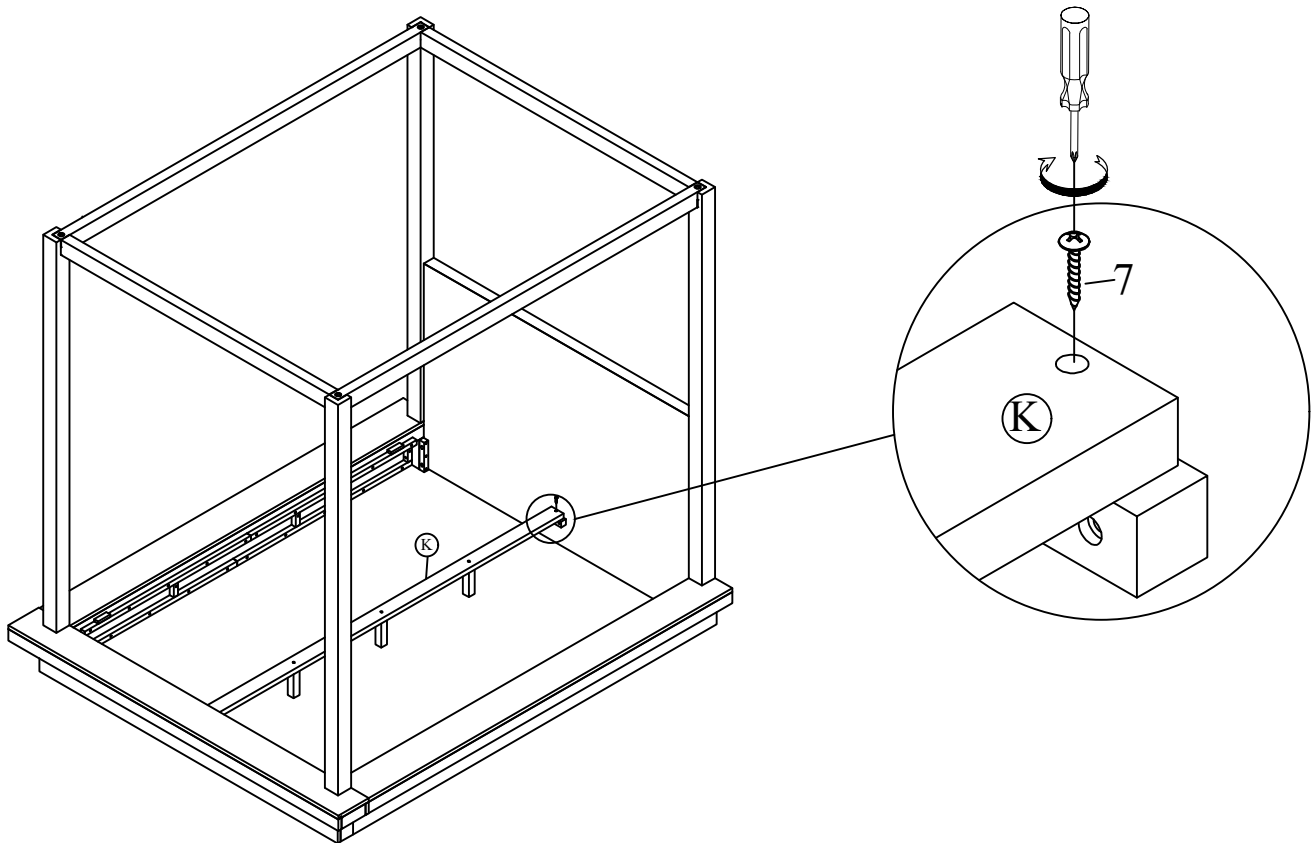
**STEP 5:**



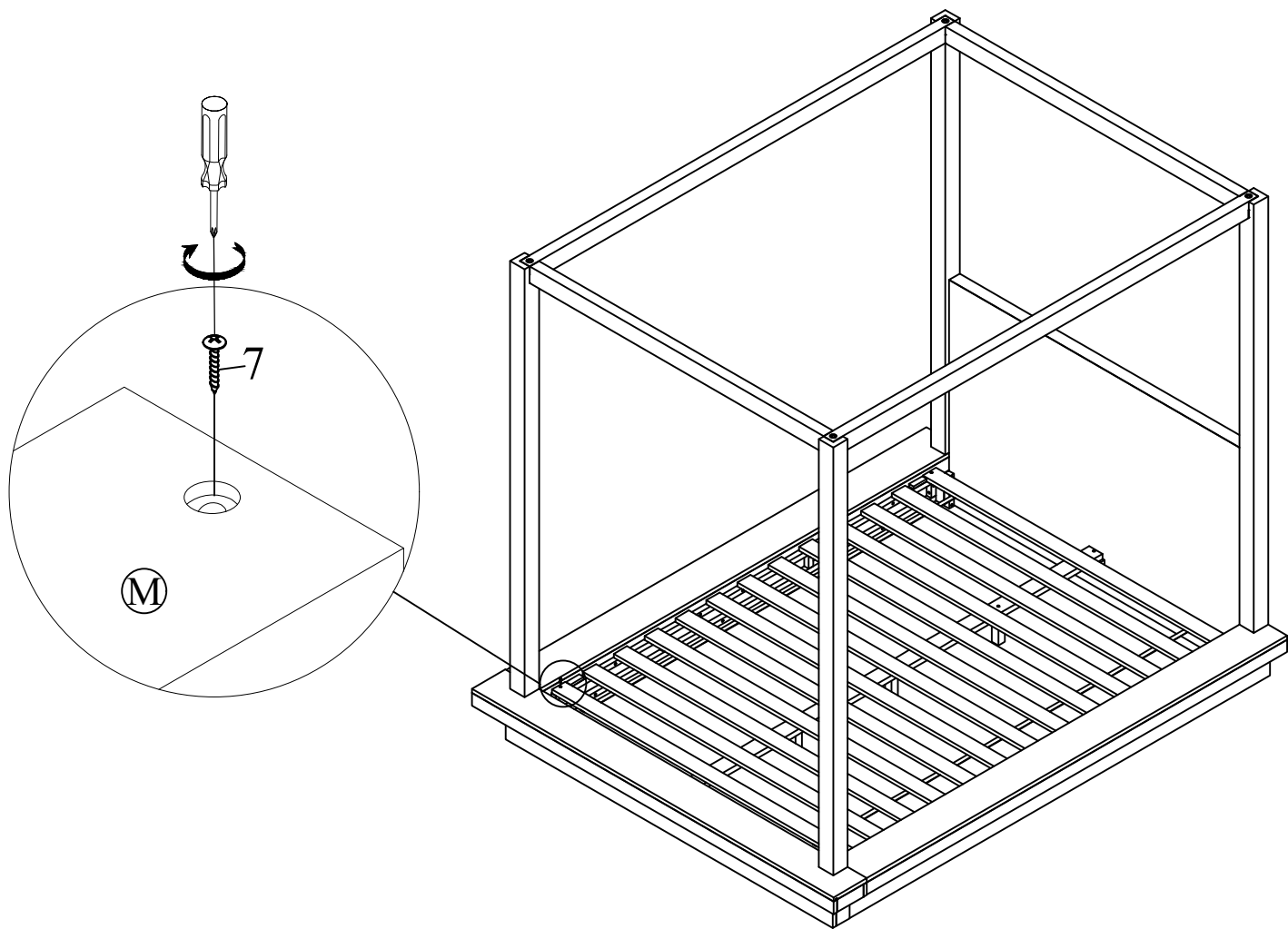
**STEP 6:**



**STEP 7:**



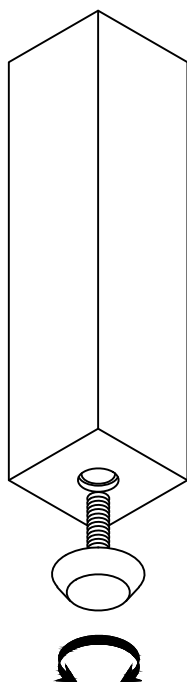
**STEP 8:**



**INSTRUCTIONS FOR ADJUSTING LEVELER:**

POSITION THE BED IN YOUR SPACE AND LOCATE THE LEVELER UNDER EACH SUPPORT LEG. TURN THE LEVELER COUNTER-CLOCKWISE TO EXTEND THE LEVELER AND CLOCKWISE TO RETRACT IT.

ADJUST EACH LEVELER UNTIL EACH SUPPORT LEG IS APPLYING EQUAL, UPWARD PRESSURE ON THE SUPPORT SLAT.



**MAINTENANCE INSTRUCTIONS:**

REMOVE YOUR MATTRESS, AND BOX SPRING IF APPLICABLE, BEFORE MOVING YOUR BED.

LIFT YOUR BED WHEN MOVING IT; DRAGGING CAN DAMAGE THE SUPPORTS.

RE-ADJUST THE LEVELERS AFTER MOVING YOUR BED.