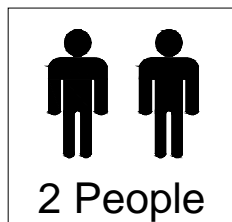
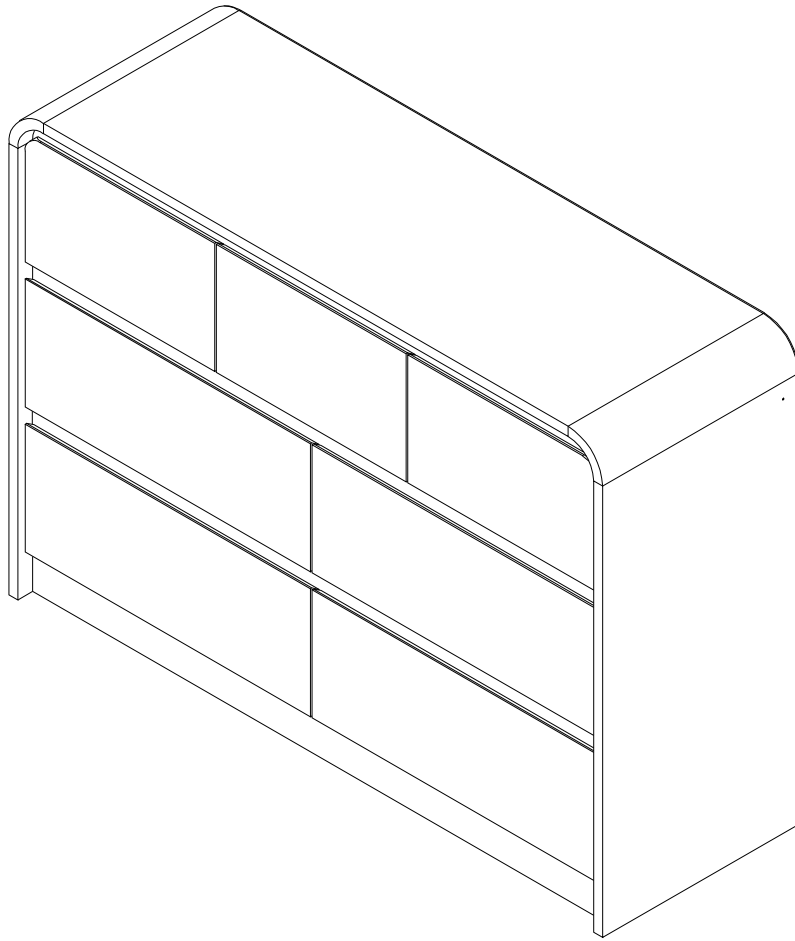
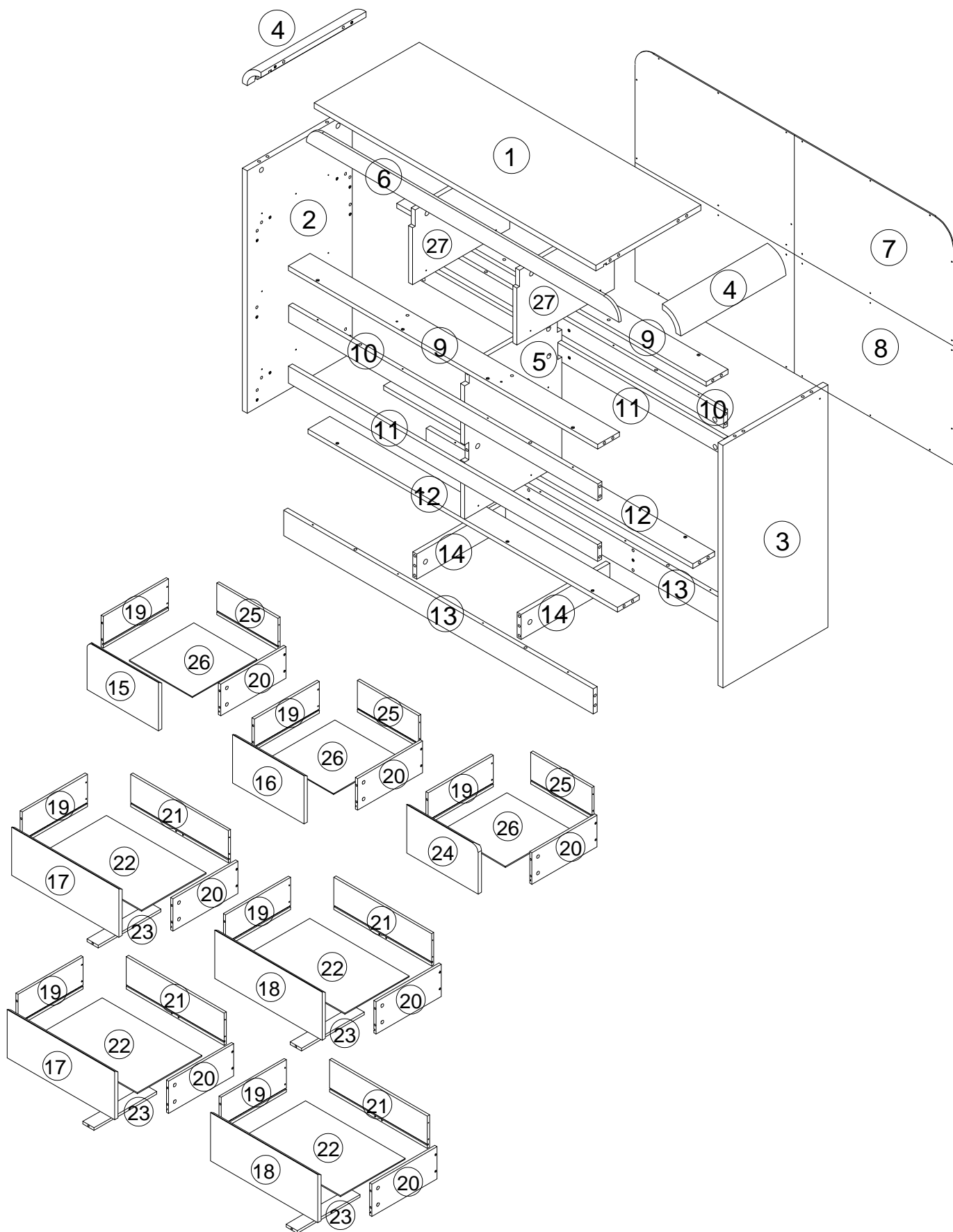



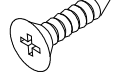
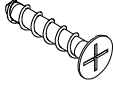

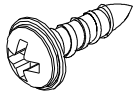
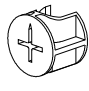
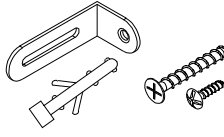
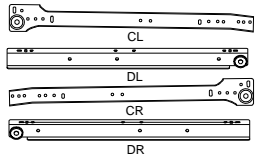
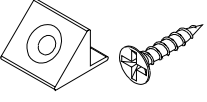
# ASSEMBLY INSTRUCTIONS

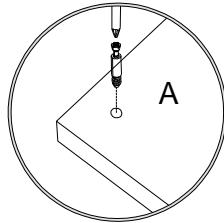




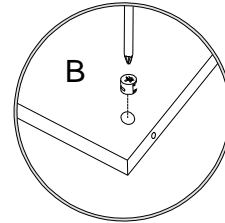
CODE	DESCRIPTION	QTY
1	Top Panel	1
2	Left Side Panel	1
3	Right Side Panel	1
4	Bent Wood Board	2
6	Upper Front Strip	1
7	Upper Back Panel	1
8	Lower Back Panel	1
9	Front Crosspiece	2
10	Front vertical panel 1	2
11	Front vertical panel 2	2
12	Bottom Crosspiece	2
13	Bottom Vertical Panel	2
14	Bottom Supported Panel	2
19	Drawer Left Side Panel	7
20	Drawer Right Side Panel	7
22	Lower Drawer Bottom Panel	4
26	Upper Drawer Bottom Panel	3

CODE	DESCRIPTION	QTY
5	Lower Middle Vertical Panel	1
15	Upper Left Drawer Top Panel	1
16	Upper Middle Drawer Top Panel	1
17	Lower Left Drawer Top Panel	2
18	Lower Right Drawer Top Panel	2
21	Lower Drawer Back Panel	4
23	Drawer Bottom Strip	4
24	Upper Right Drawer Top Panel	1
25	Upper Drawer Back Panel	3
27	Upper Middle Vertical Panel	2

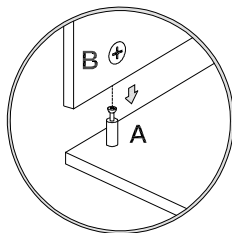
<p>Ø8X30MM</p>  <p><b>A</b> 54X+2</p>	<p>Ø3X12MM</p>  <p><b>B</b> 84X+2</p>	<p>Ø4X35MM</p>  <p><b>C</b> 58X+2</p>	 <p><b>D</b> 72X+2</p>
<p>Ø3X12MM</p>  <p><b>F</b> 28X+2</p>	<p>Ø15X10MM</p>  <p><b>G</b> 72X+2</p>	 <p><b>H</b> 2X</p>	 <p><b>L</b> 7X</p>
 <p><b>M</b> 2X</p>			



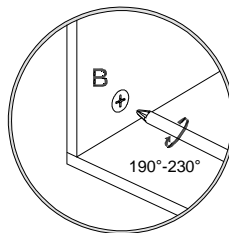
1. Screw cam bolt into panel



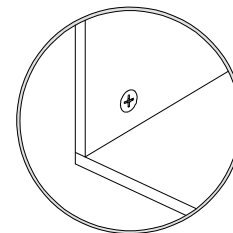
2. Push cam into panel - arrow feature on cam top points to panel edge



3. Align cam bolt(s) with cam(s) and insert all the way into cross-bored hole(s)

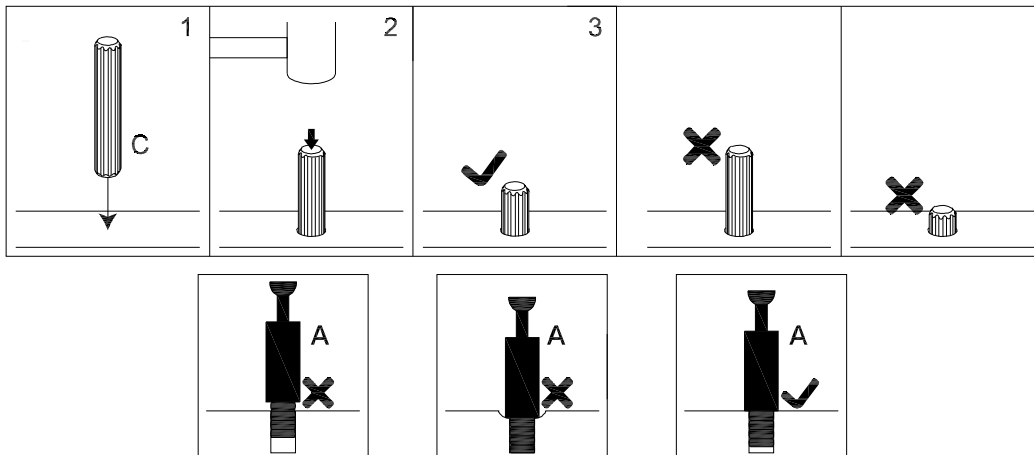


4. Rotate cam(s) clockwise 190°-230° to lock panels together



5. Panels should be tight against each other and connection should be rigid

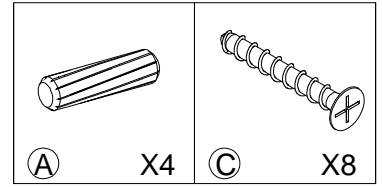
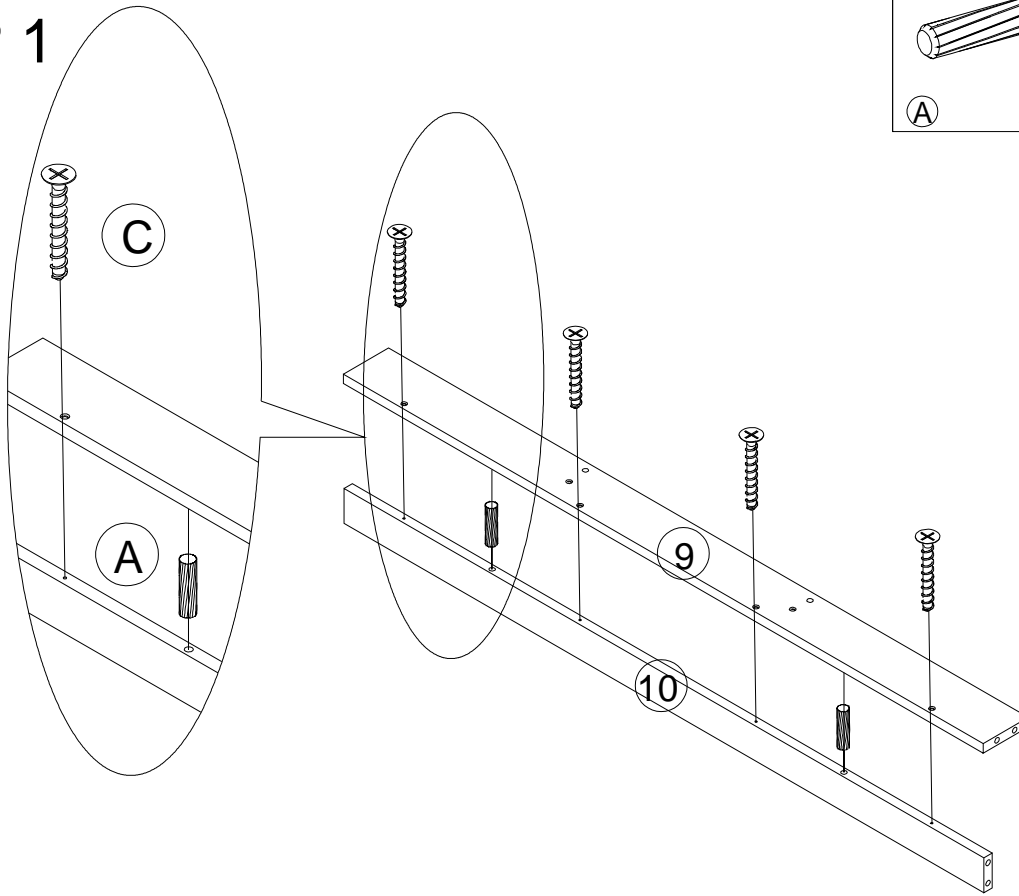
Insert the wood dowel [C] at least half way by tapping lightly with a rubber mallet, IF NECESSARY.



### ⚠ WARNING

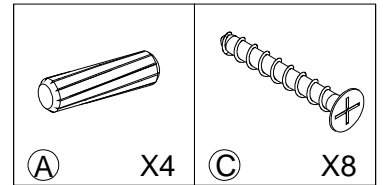
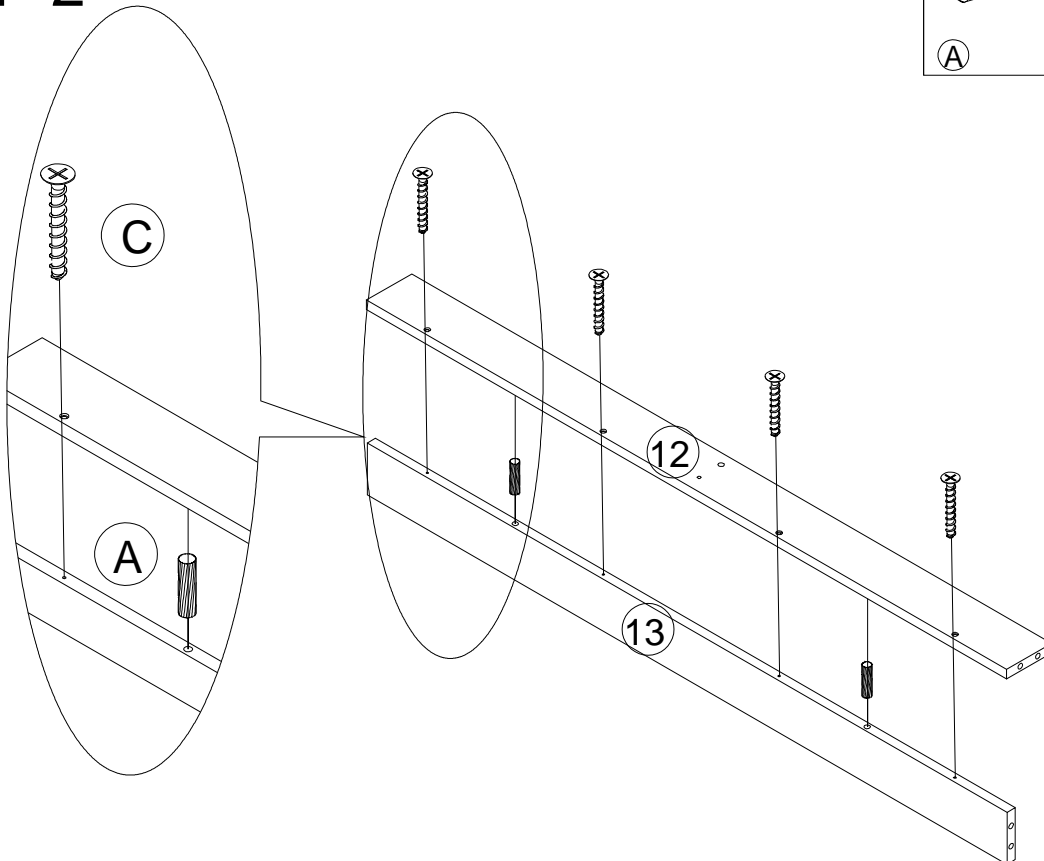
- Unit must be placed on a level surface or leveled with included hardware (when applicable).
- Do not sit or stand on or allow children to climb, sit or stand on the assembled product.
- For safety reasons, it is imperative that this unit be mounted to the wall.
- Do not use without installing the tip restraint.
- Unit can tip over causing severe injury or death.
- Do not exceed the recommended weight limits.
- Evenly distribute the weight on each level and always keep the heavier loads on the bottom.
- Before cutting, drilling or hammering into any wall or floor surface, verify the location of electrical, plumbing and gas lines. Cutting may cause serious injury.

# STEP 1



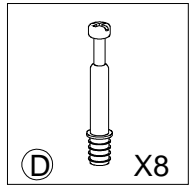
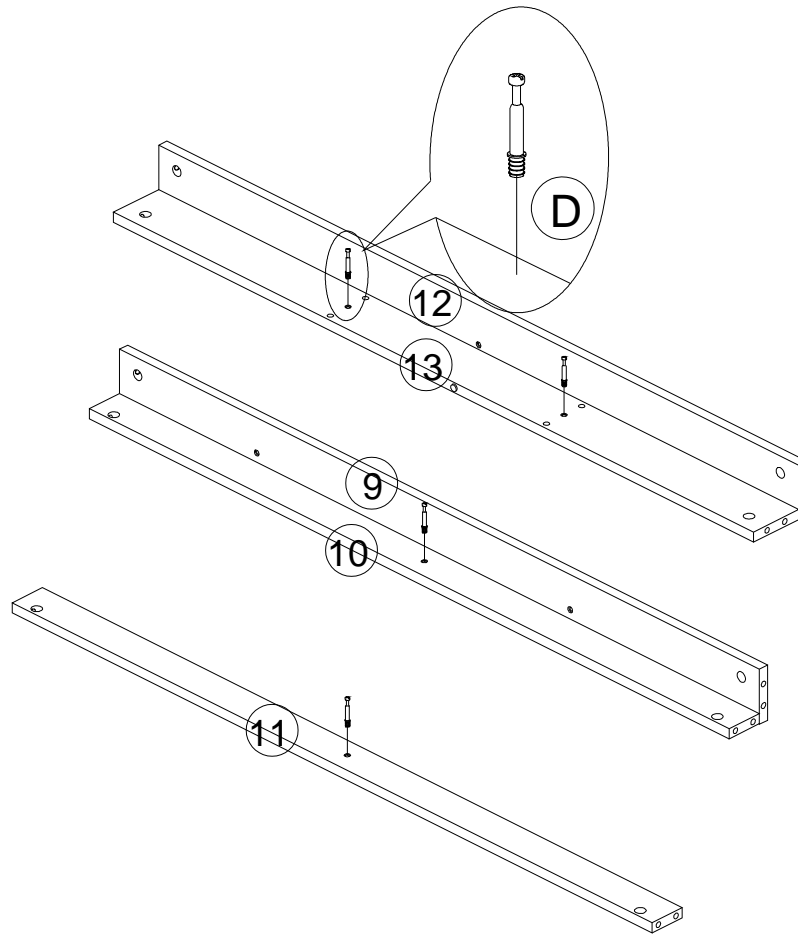
X2

# STEP 2



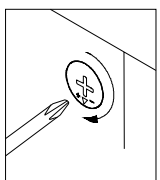
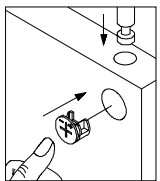
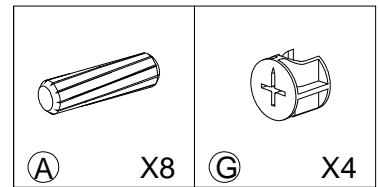
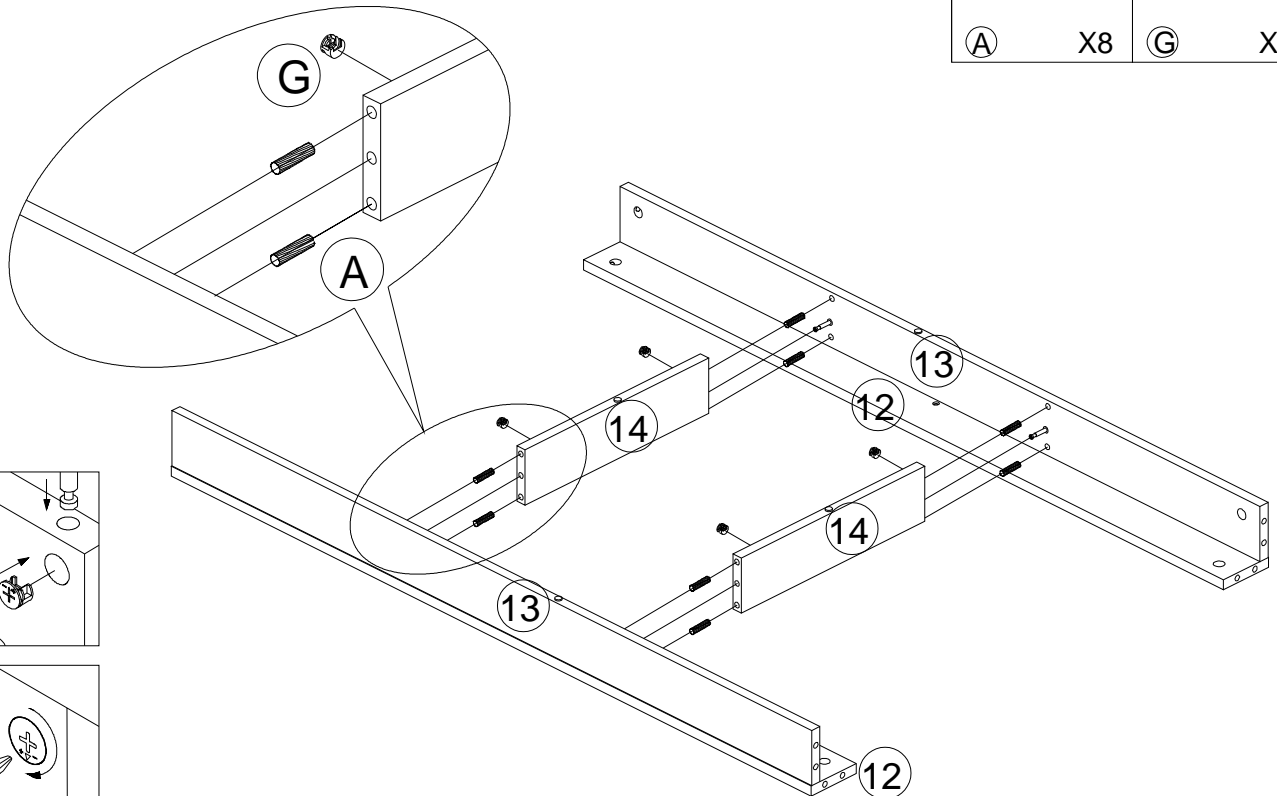
X2

# STEP 3

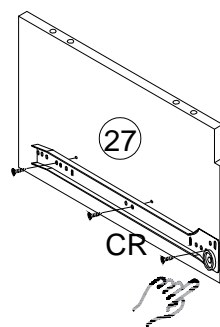
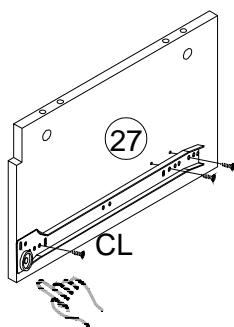
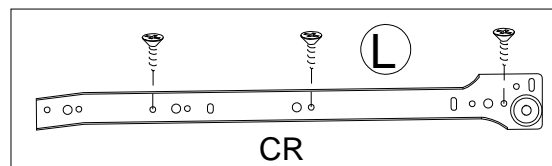
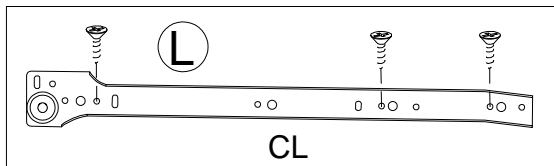
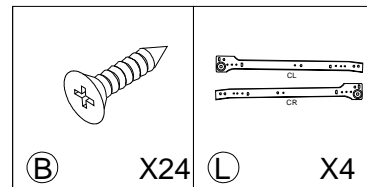


X2

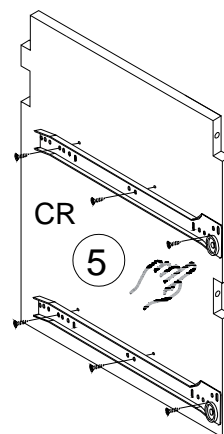
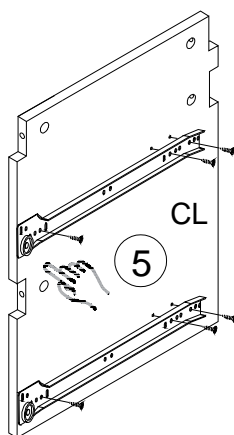
# STEP 4



# STEP 5

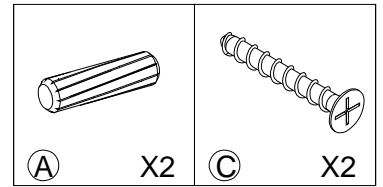
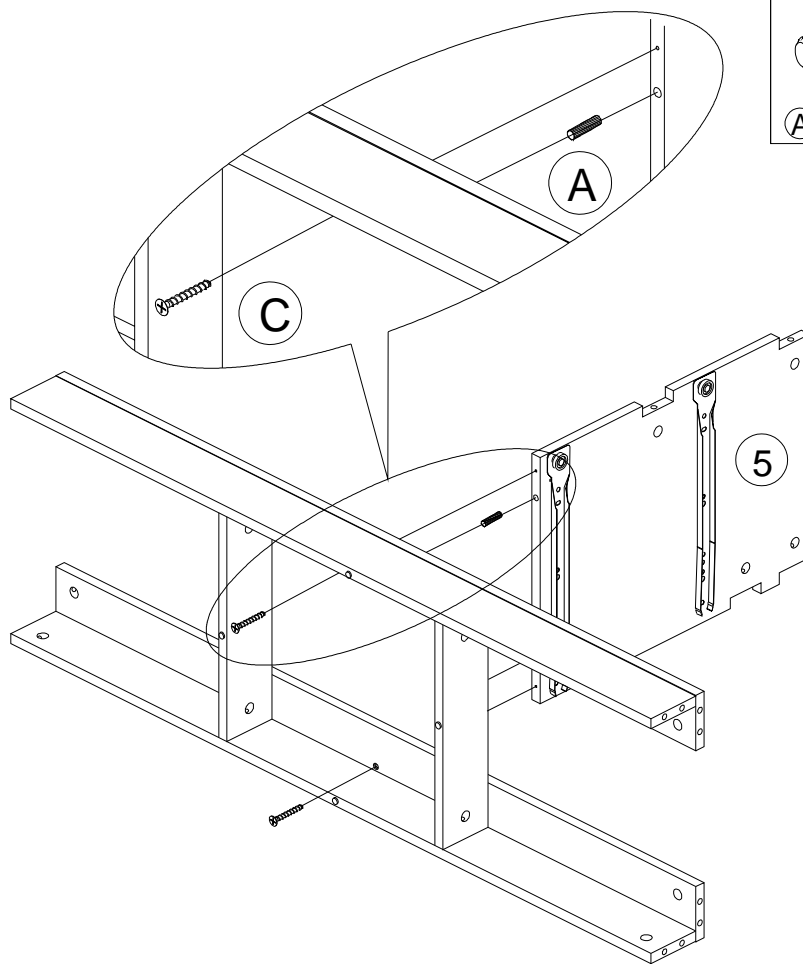


X2

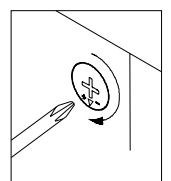
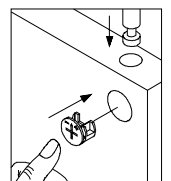
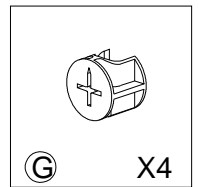
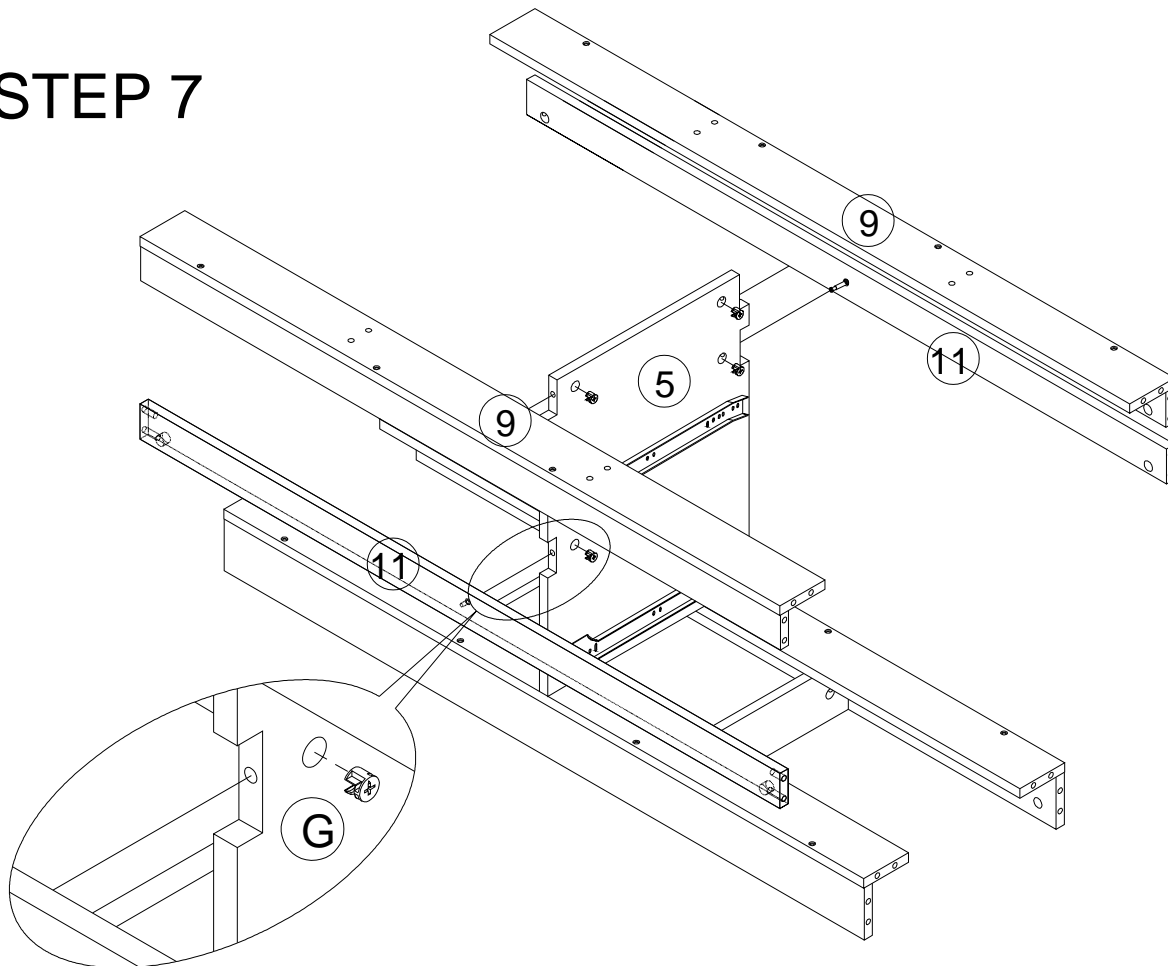


X1

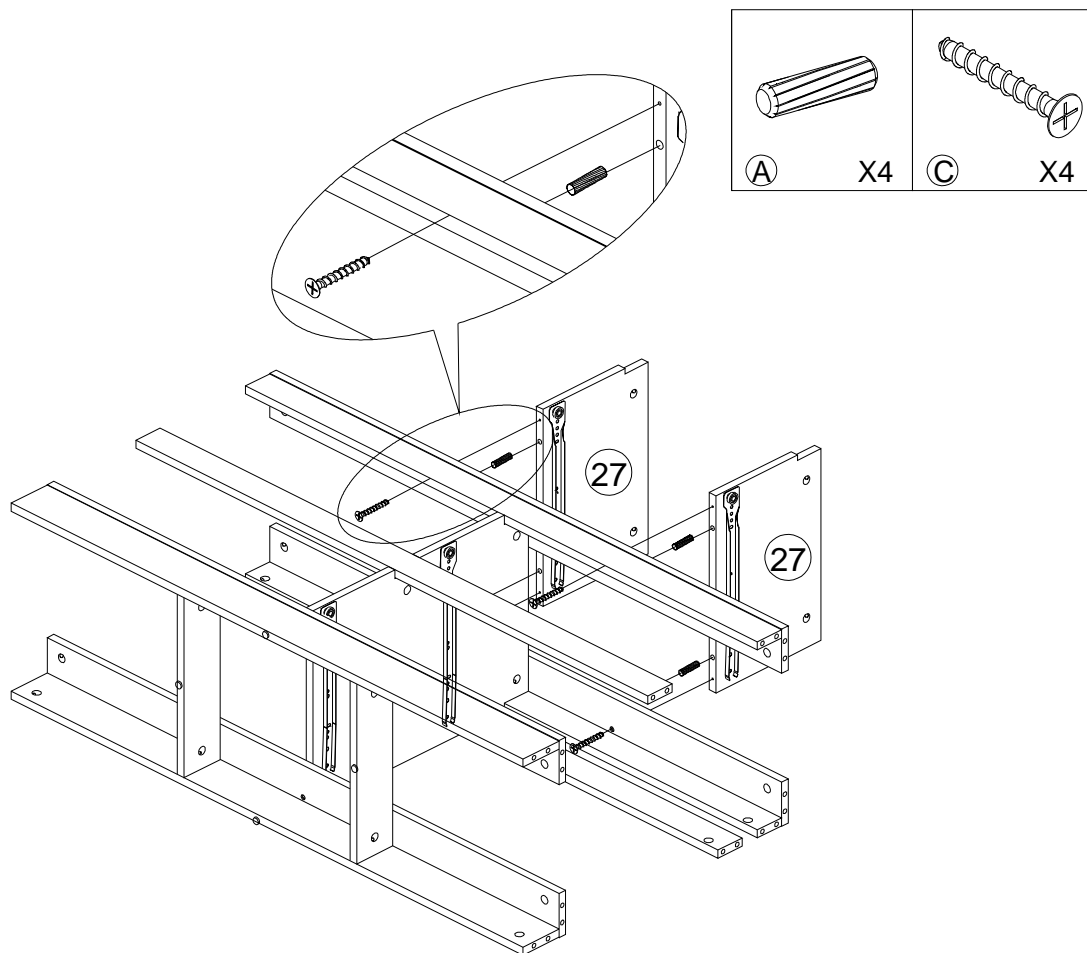
# STEP 6



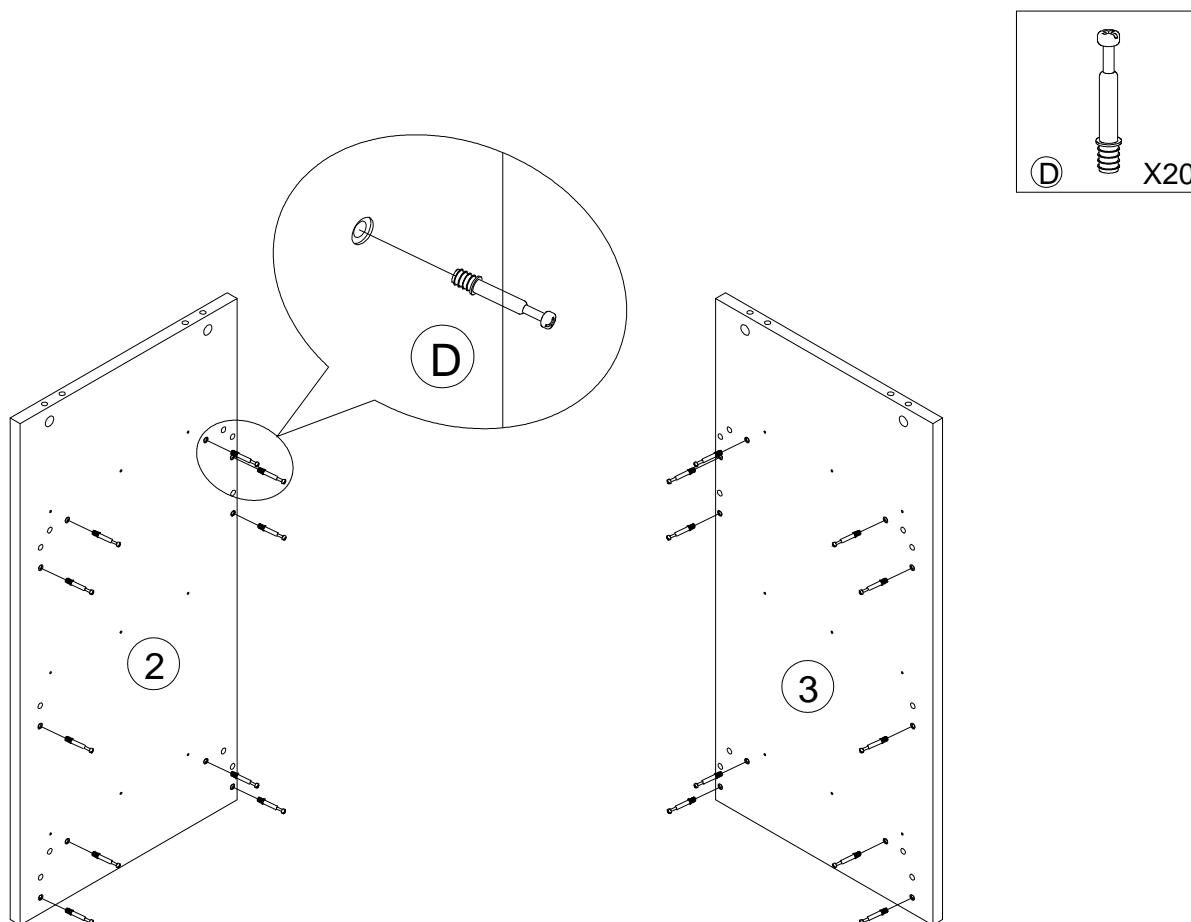
# STEP 7



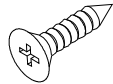
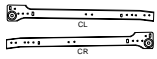
# STEP 8

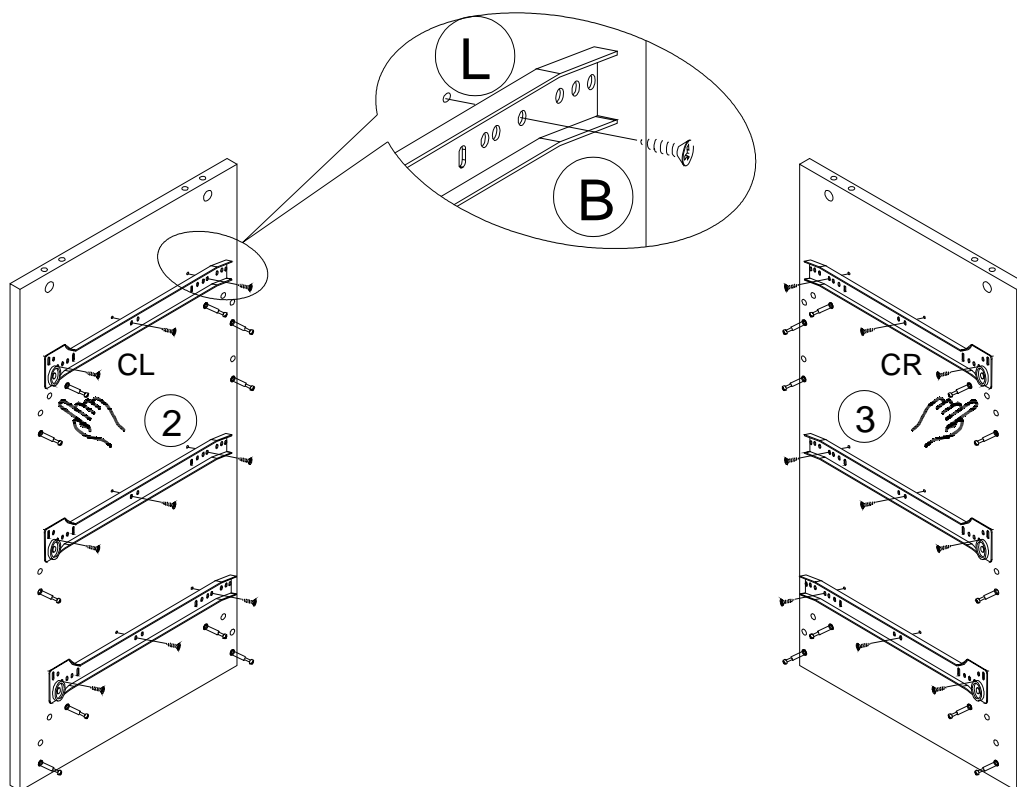
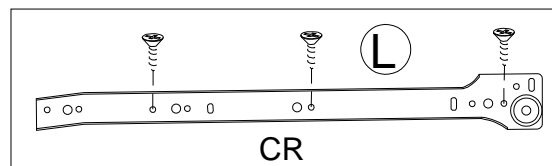
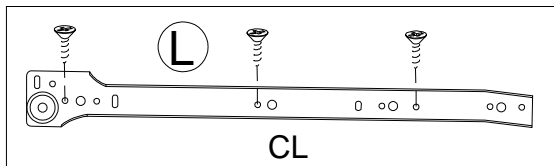


# STEP 9

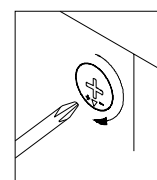
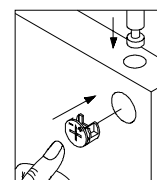
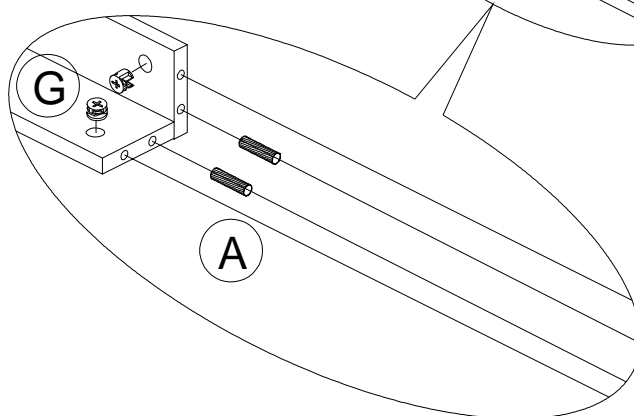
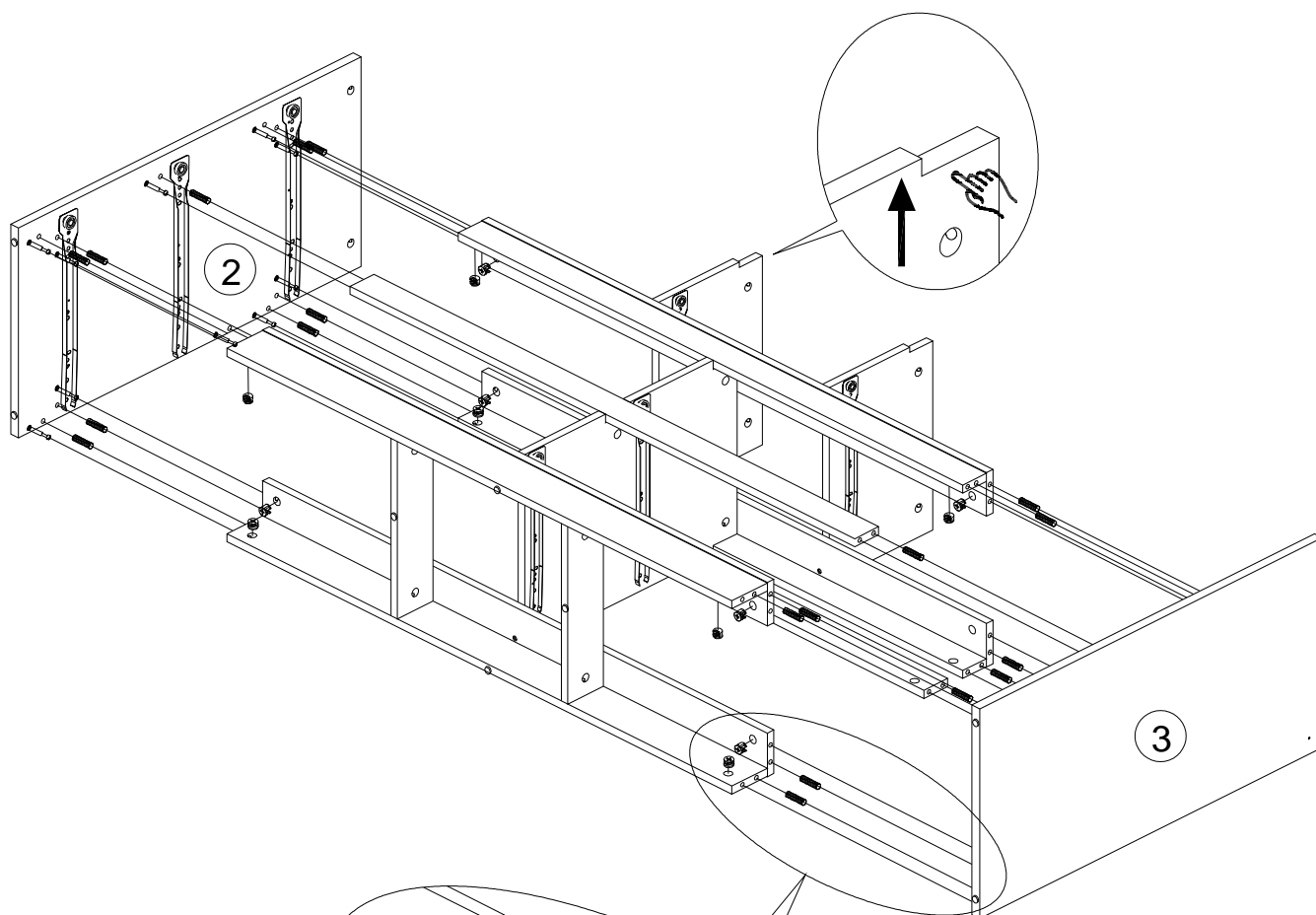
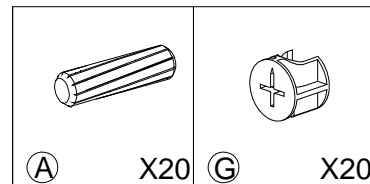


# STEP 10

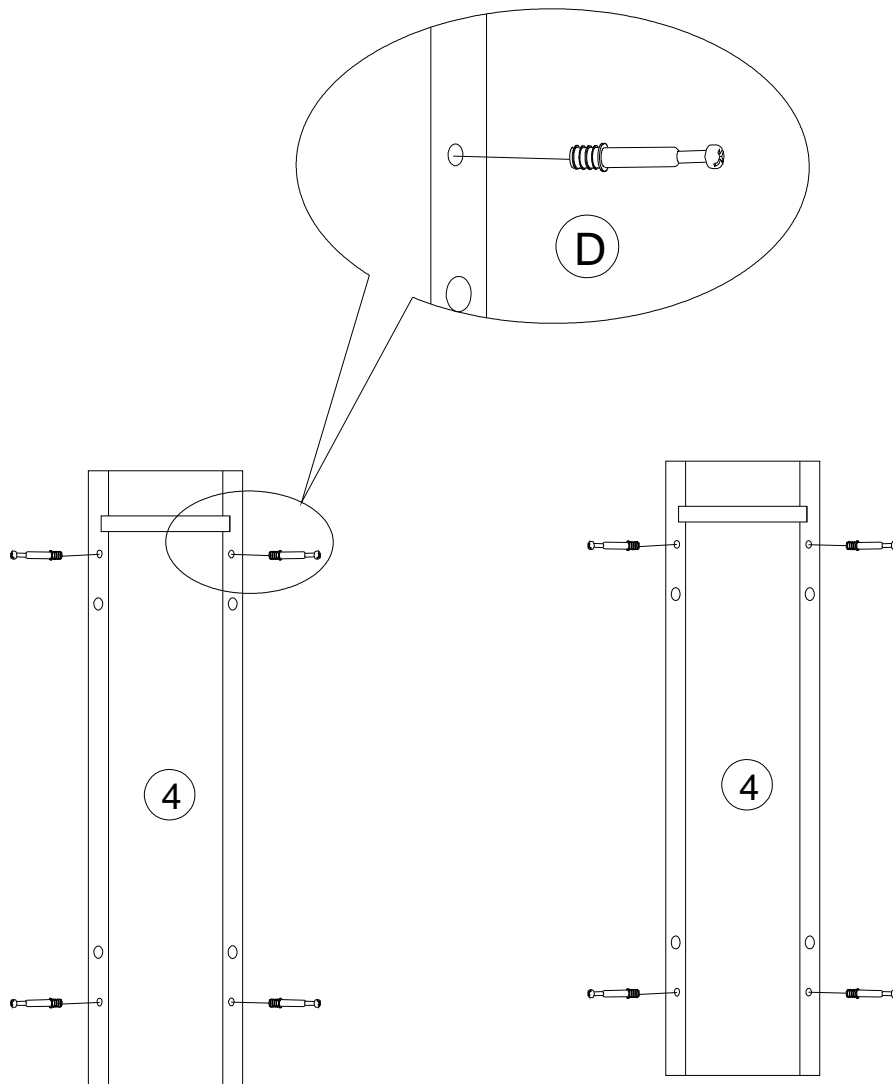
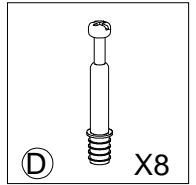
	
<b>(B)</b>	X18
<b>(L)</b>	X3



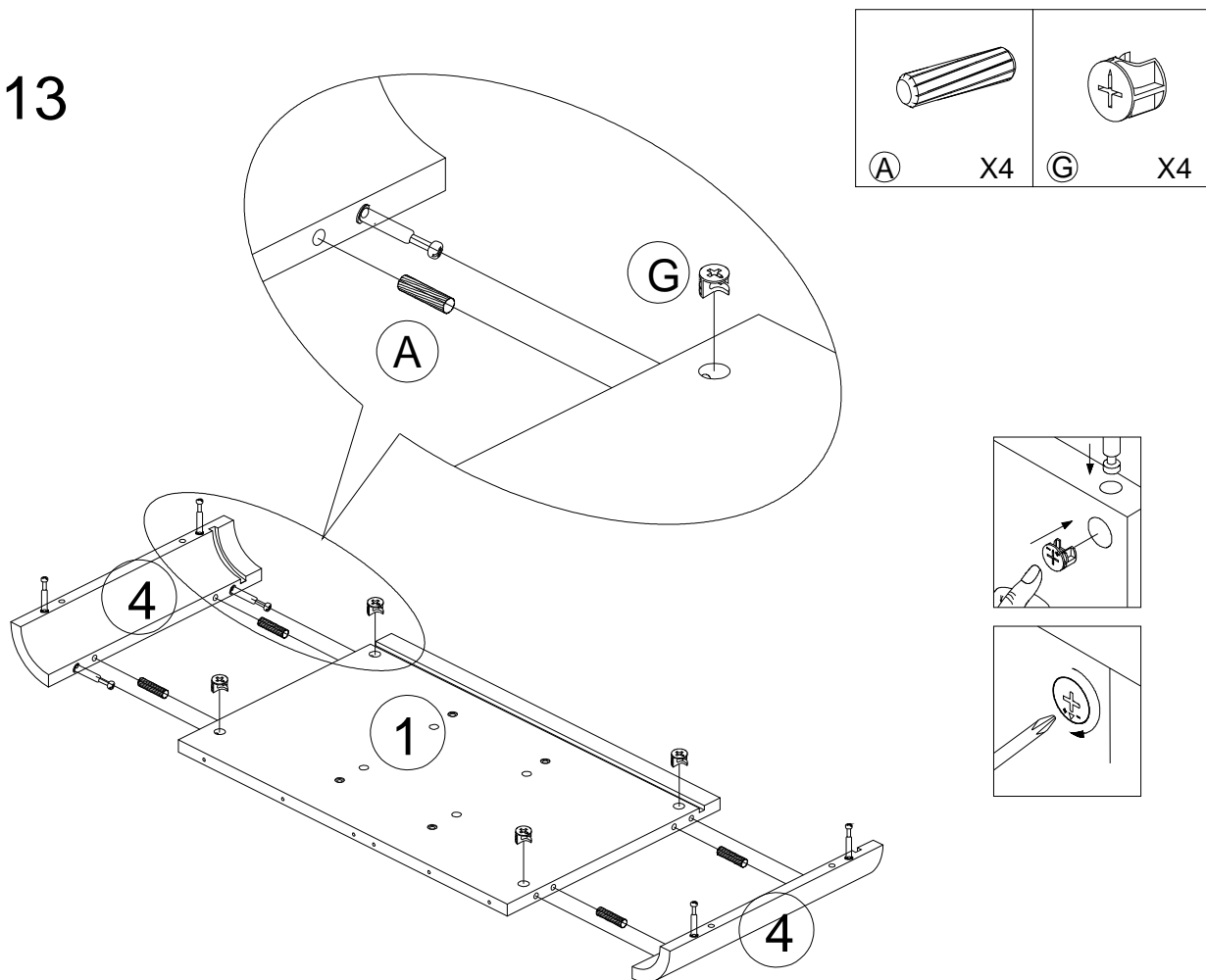
# STEP 11



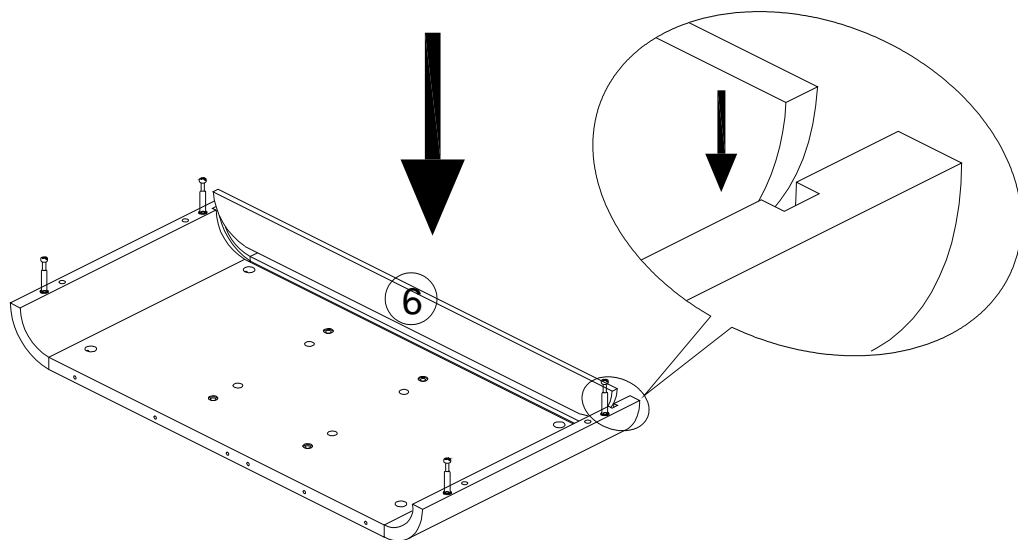
# STEP 12



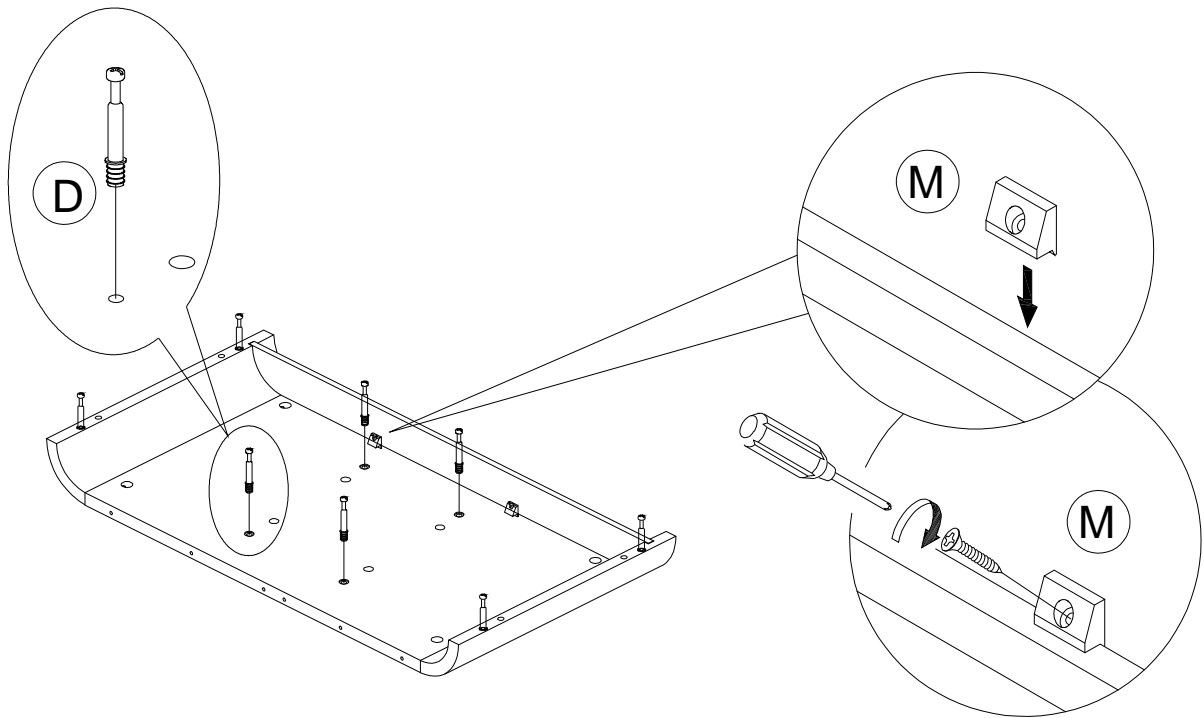
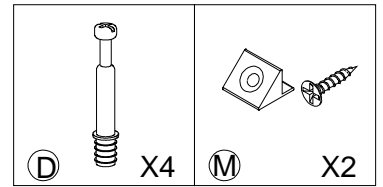
# STEP 13



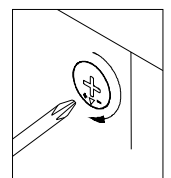
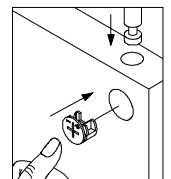
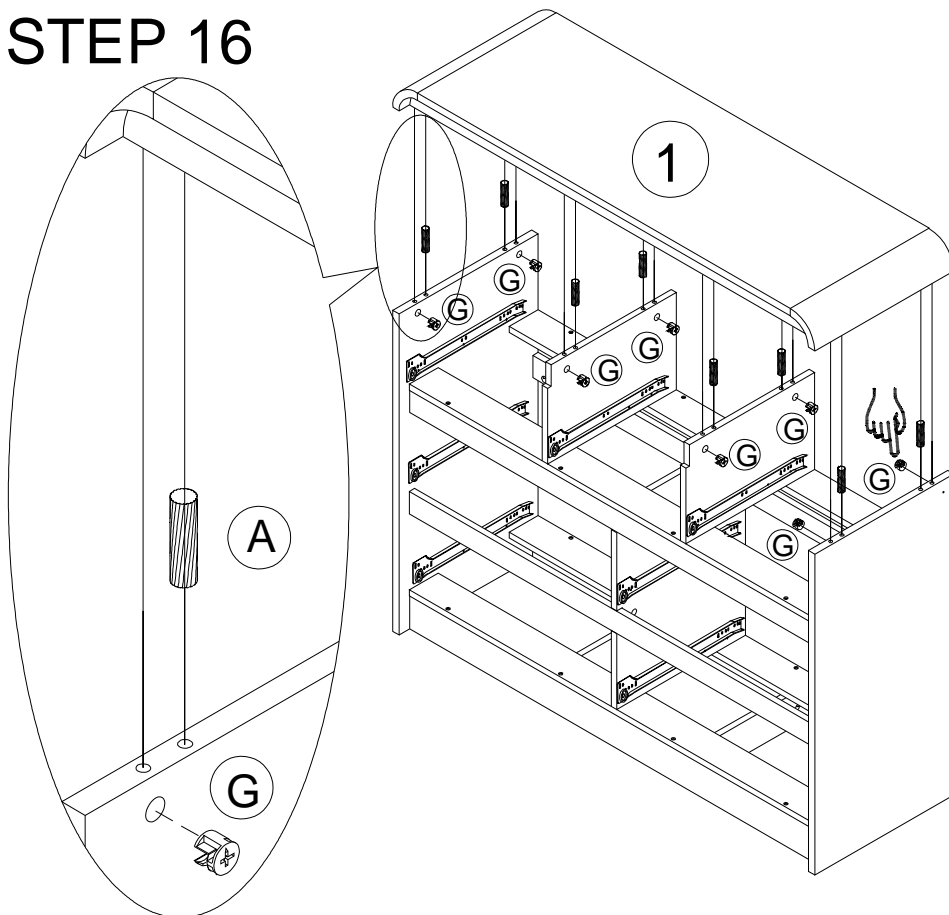
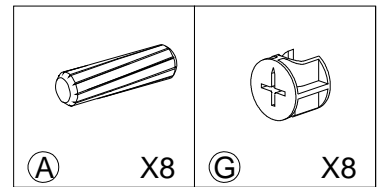
# STEP 14



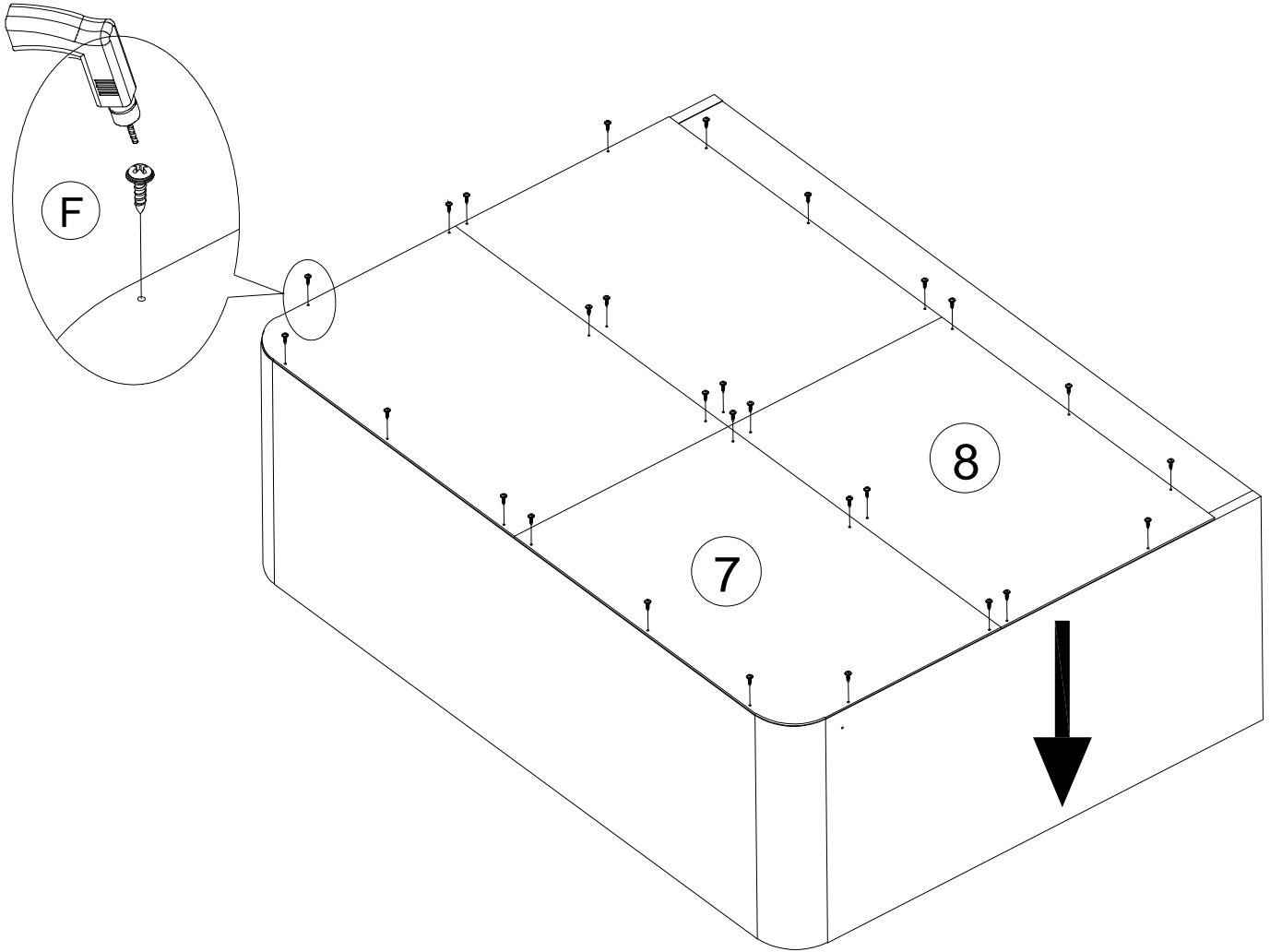
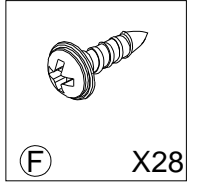
# STEP 15



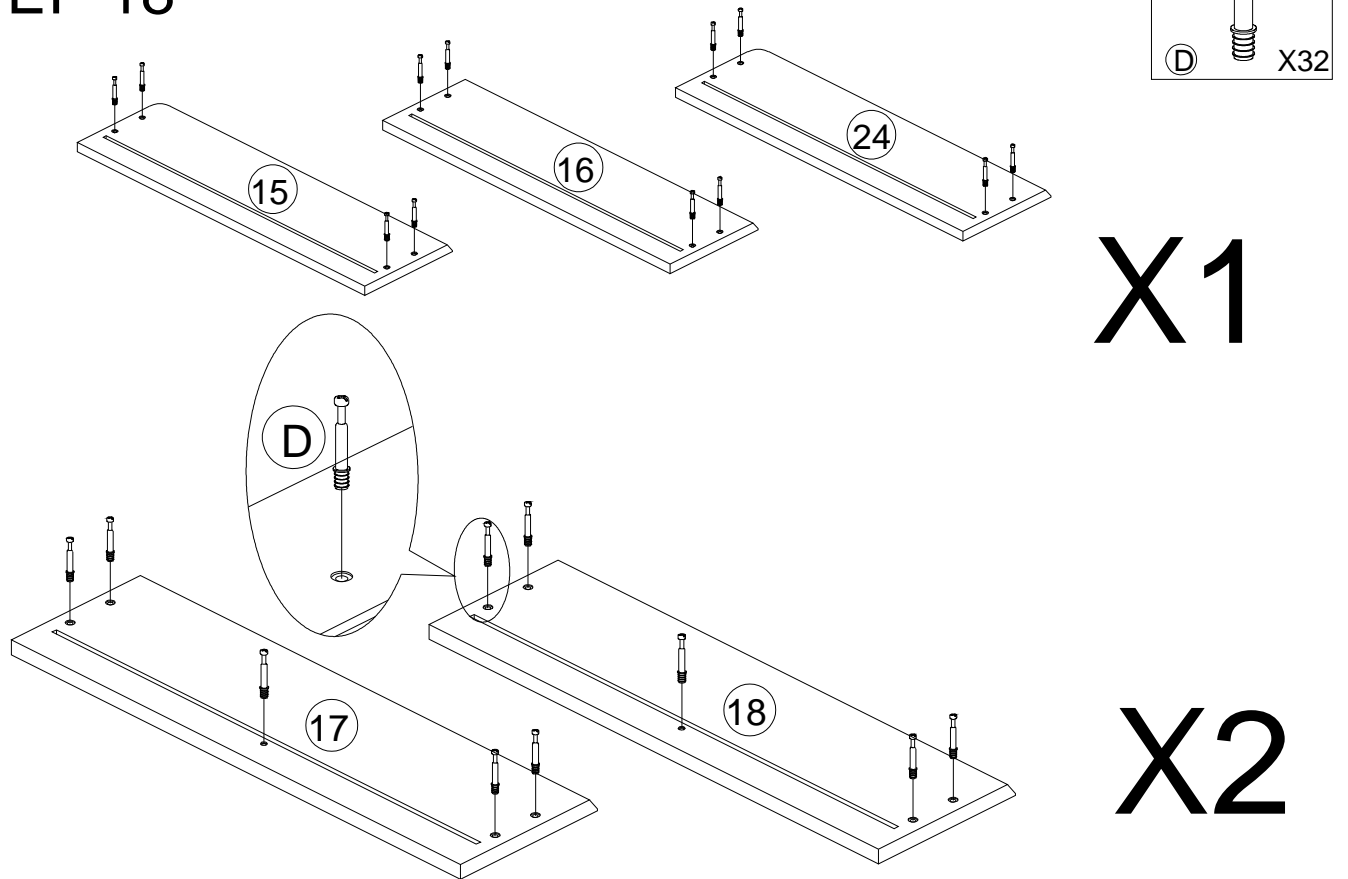
# STEP 16



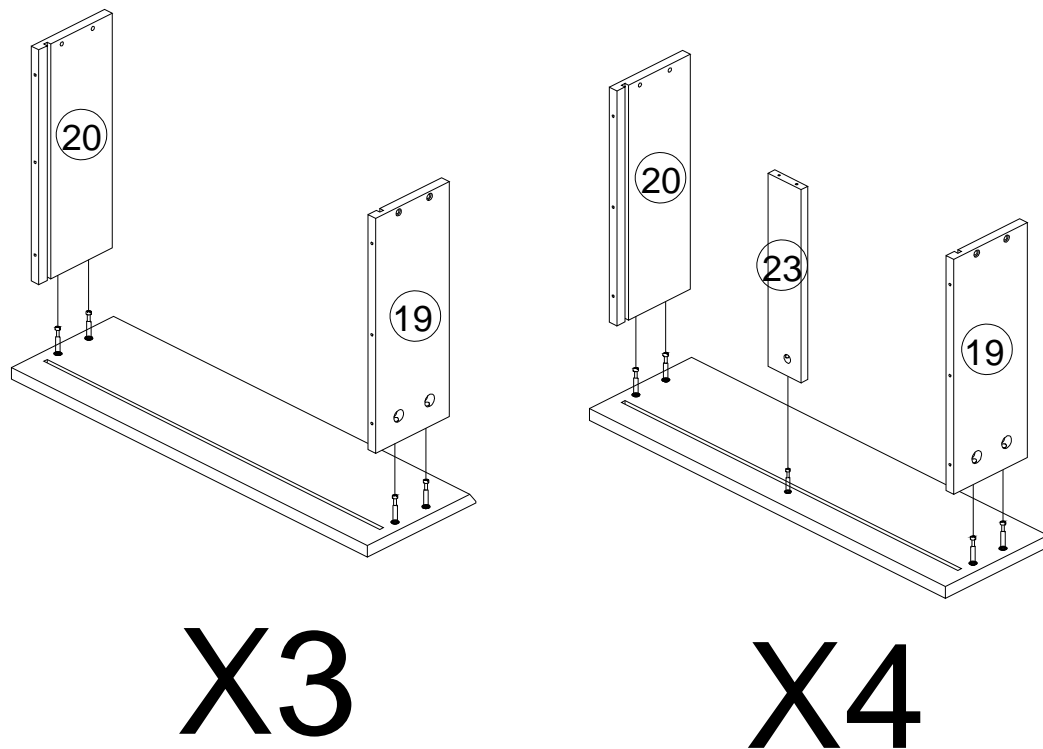
# STEP 16



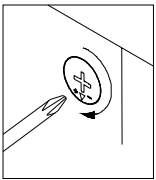
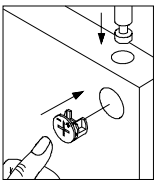
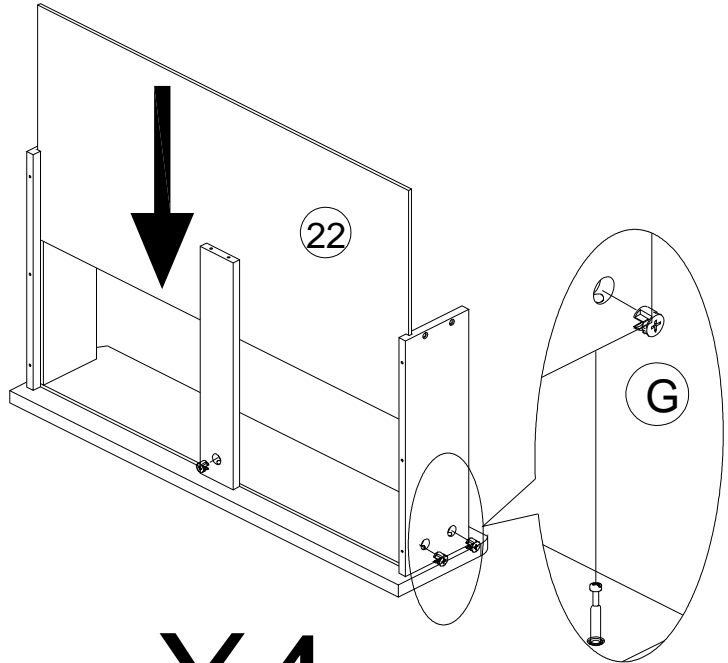
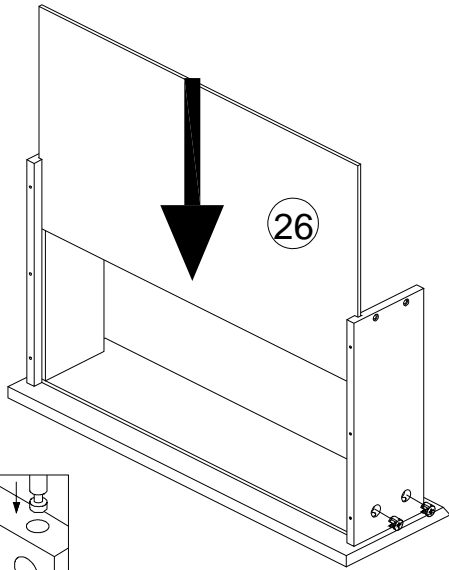
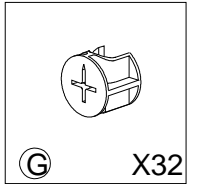
# STEP 18



# STEP 19



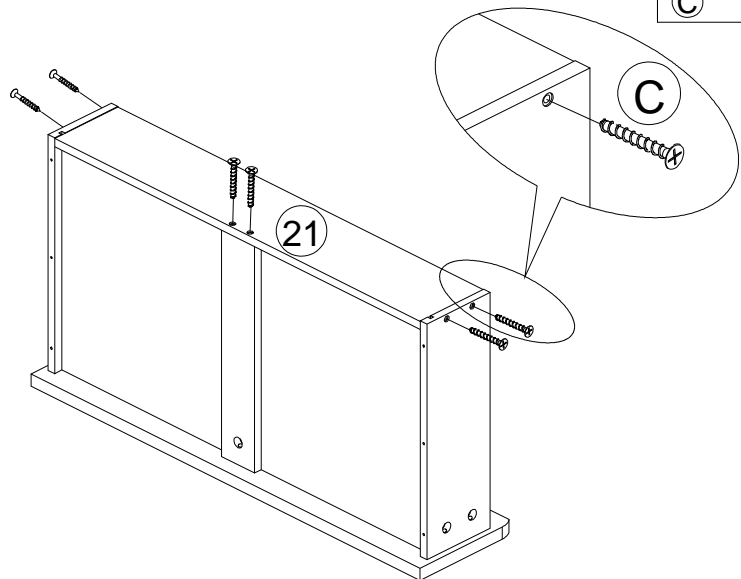
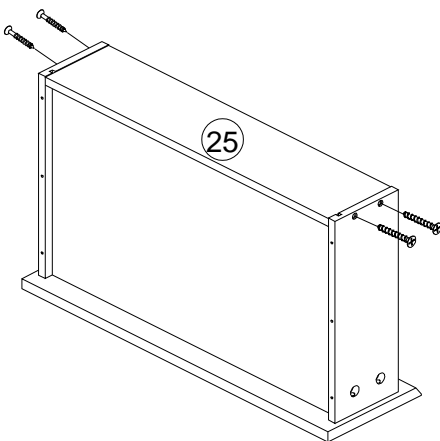
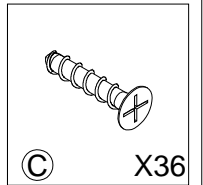
# STEP 20



X3

X4

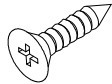

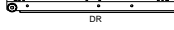
# STEP 21

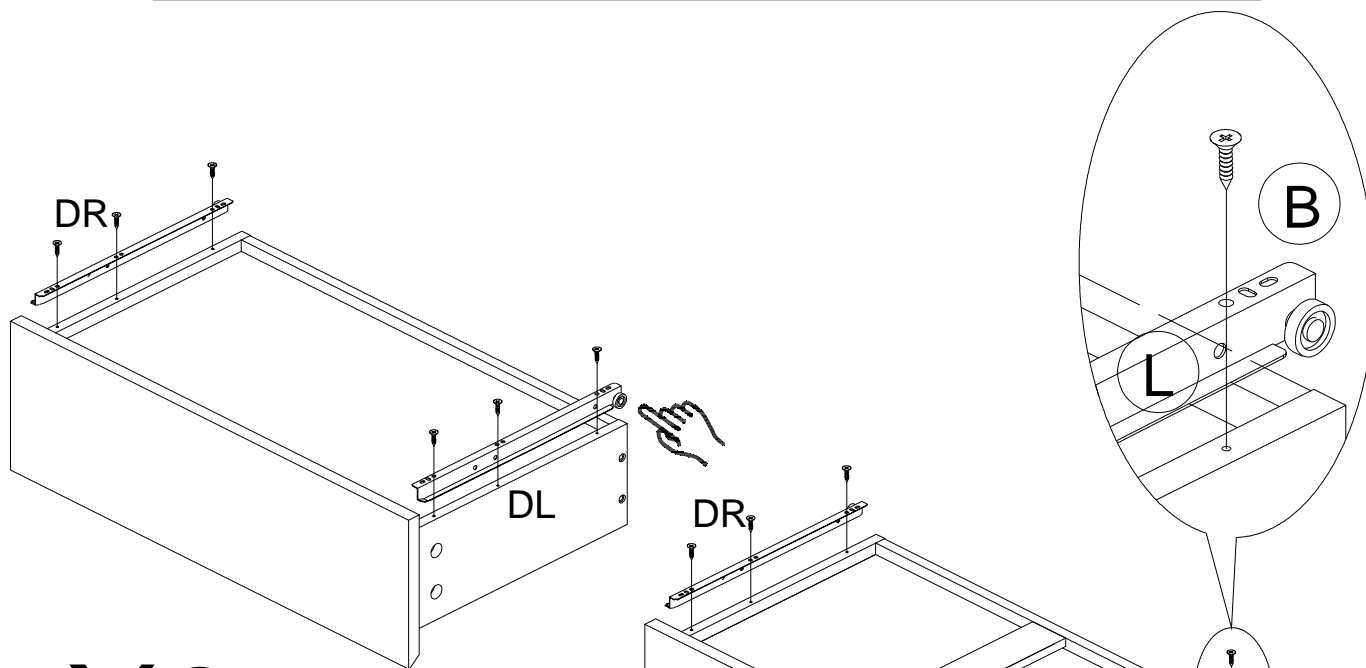
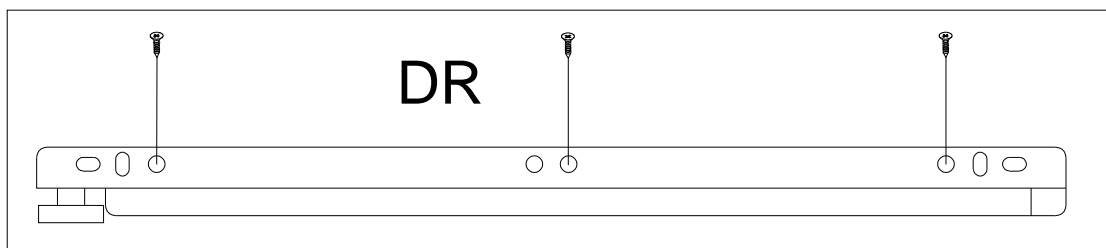
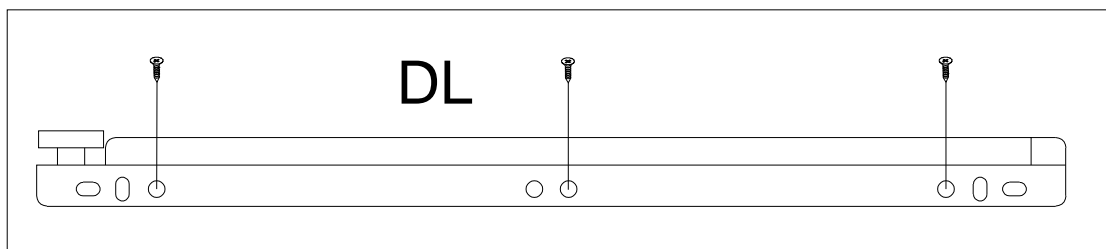


X3

X4

# STEP 22

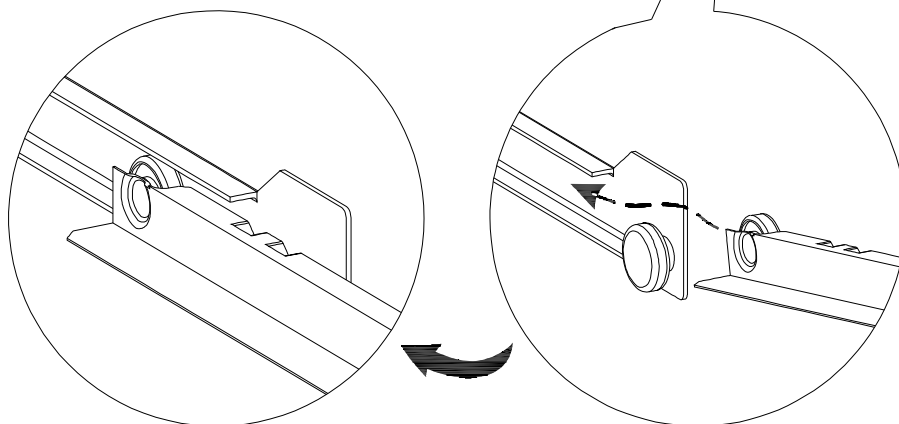
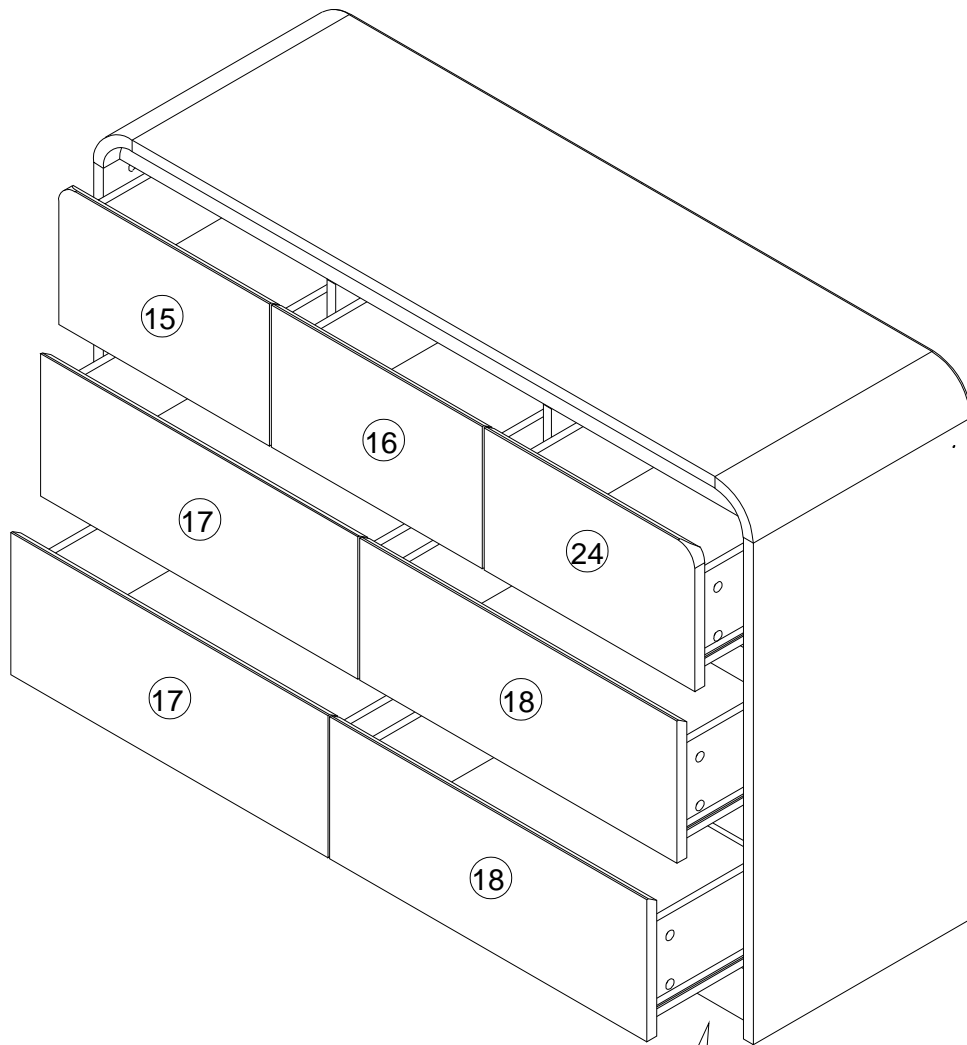
	
	
<b>(B)</b>	X42
<b>(L)</b>	X7



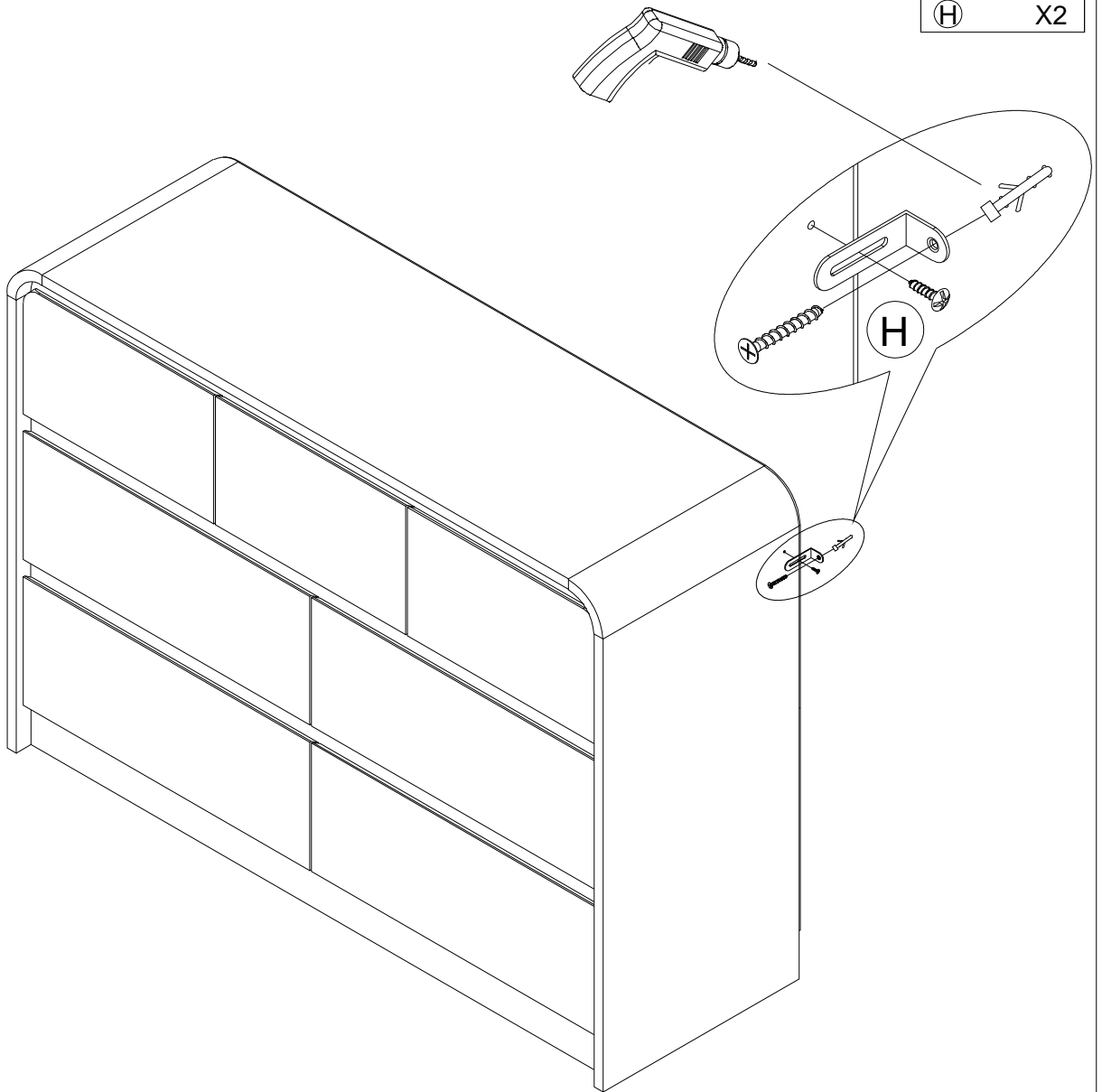
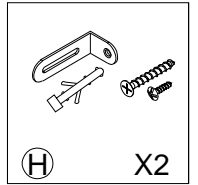
**X3**

**X4**

# STEP 23



# STEP 24



<b>▲ WARNING</b>	
	<b>Children have died from furniture tipover. To reduce the risk of furniture tipover:</b>
	<ul style="list-style-type: none"><li>• ALWAYS install anti-tip device provided.</li><li>• NEVER put a TV on this product.</li><li>• NEVER allow children to stand, climb or hang on any drawers, doors, or shelves.</li><li>• NEVER open more than one drawer at a time.</li><li>• Place heaviest items in the lowest drawers.</li></ul>
<i>this is a permanent label. Do not remove!</i>	