

Platform Bed Set-up Instruction

SIZE:Twin/ Twin XL

If you have any questions about the product, please don't hesitate to contact us. You can reach us through your order. Thanks for your support!

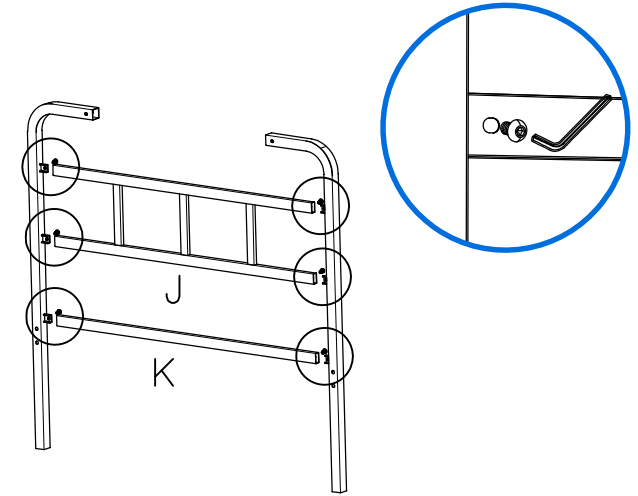
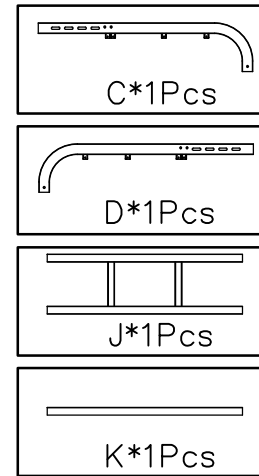


Component composition

<p>Headboard Parts List</p> <p>C*1Pcs D*1Pcs</p> <p>N*1Pcs</p> <p>J*1Pcs</p> <p>K*1Pcs</p>		<p>Bed Body Parts List</p> <p>E*2Pcs</p> <p>A*1Pcs B*1Pcs</p> <p>F*1Pcs</p> <p>G*1Pcs</p> <p>H*10Pcs</p>	
<p>Accessories List</p> <p>M*2Pcs K1*4Pcs(M8*33) I*6Pcs(M6*10) T*2Pcs(M8*35) U1*4pcs (M6 NUT) R*4Pcs (M8*20)</p> <p>L*4Pcs(M6*40) S*4Pcs (M8*40) U2*4pcs (M8 NUT) Wrench</p>			

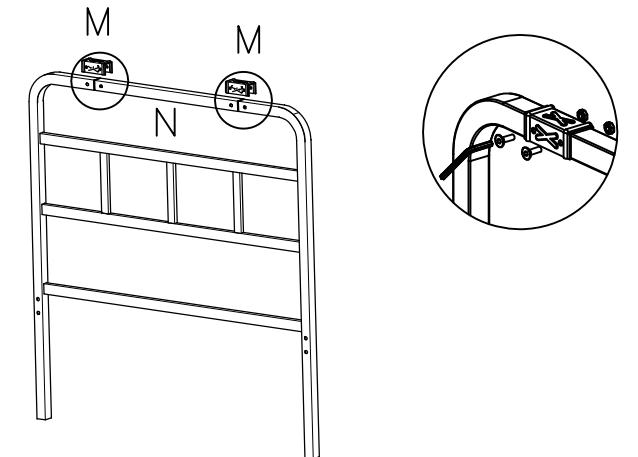
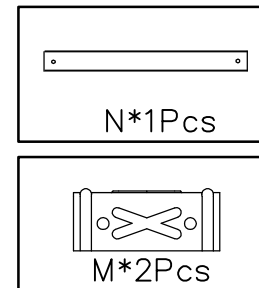
Step 1-1

(Assemble the headboard)



Step1-1: need I*6Pcs(M6*10)

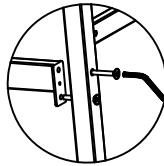
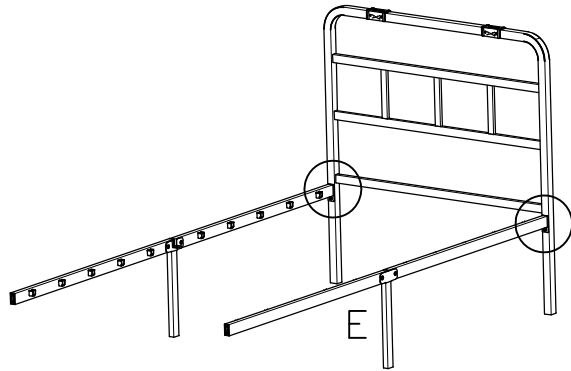
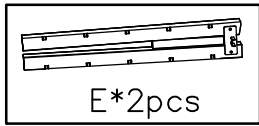
Step 1-2



Step1-2: need L*4Pcs (M6*40) U1*4pcs (M6 NUT)

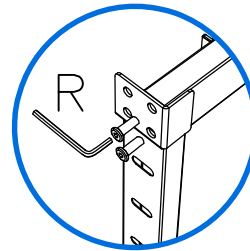
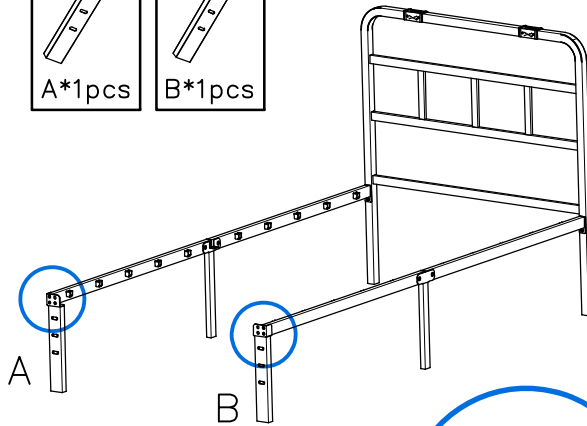
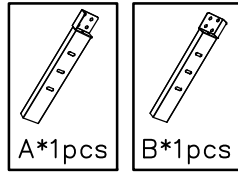
Please do not tighten the screws on headboard until you finish all of assembly to bed frame, which will be helpful for your assembly

Step 2



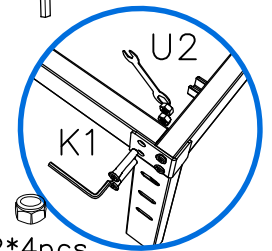
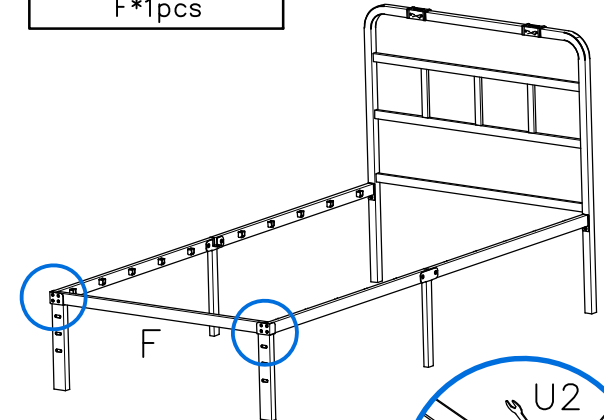
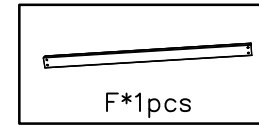
Step2: need S*4Pcs (M8*40)

Step 3



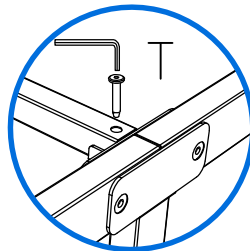
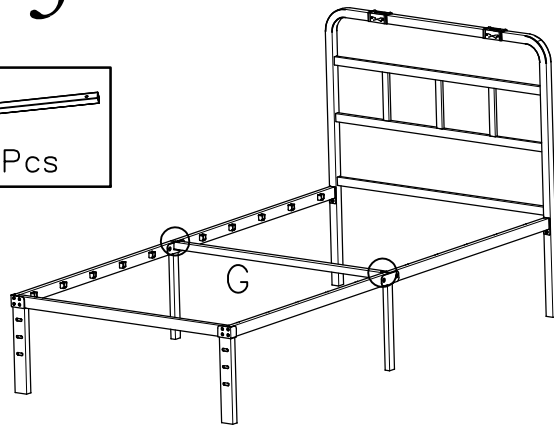
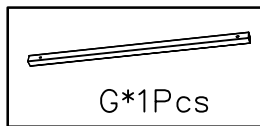
Step3: need R*4Pcs (M8*20)

Step 4



Step4: need K1*4Pcs (M8*33) (M8 NUT) U2*4pcs

Step 5



Step5: need T*2Pcs(M8*35)

Step 6

