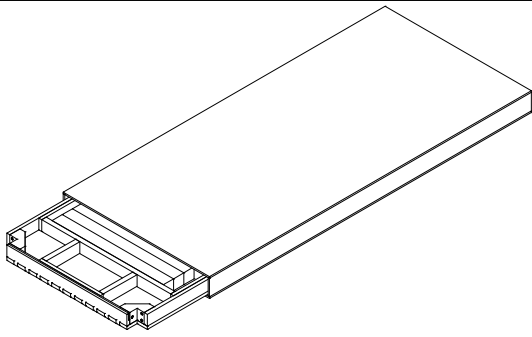
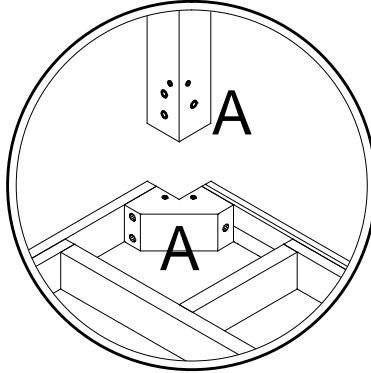
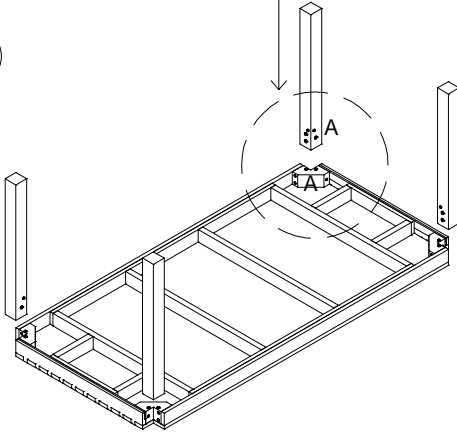


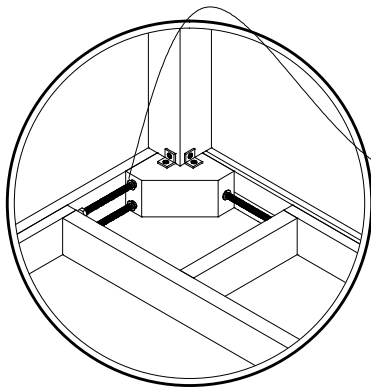
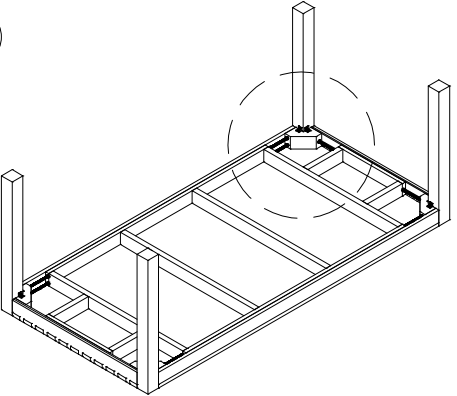
1



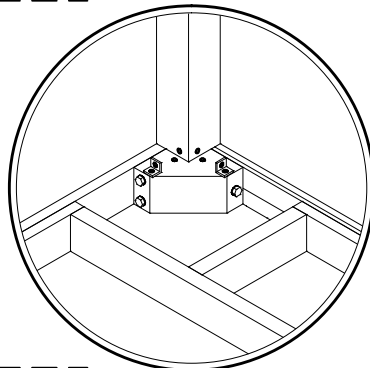
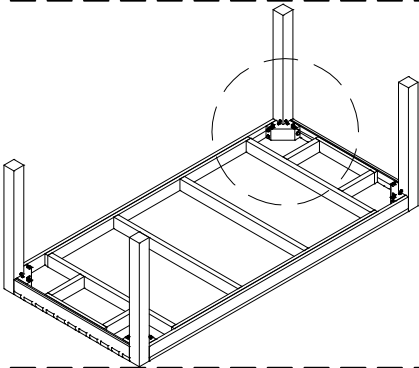
2



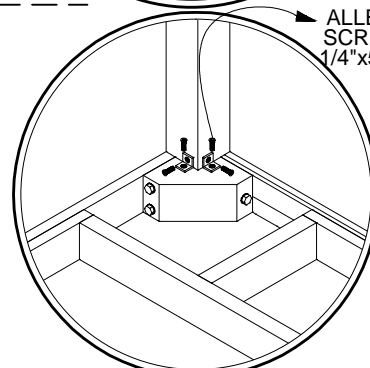
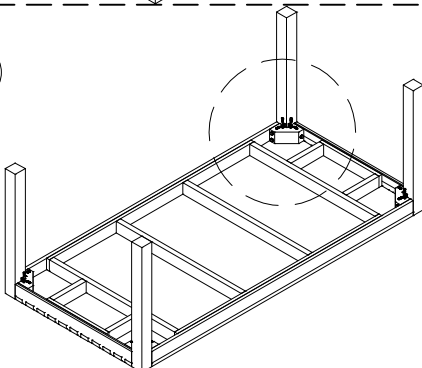
3



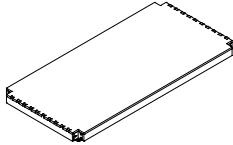





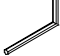
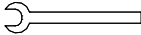
4



5



Dining Table

	1
	4
HEX SCREW 3/8"x4.5" 	12
3/8" WASHER 	12
	8
ALLEN SCREW 1/4"x5/8" 	16
ALLEN KEY 5/32" 	1
TOOL REQUIRED 9/16" WRENCH NOT INCLUDED 	

3/8" WASHER
3/8"x4.5" SCREW

ALLEN
SCREW
1/4"x5/8"

