

# Installation & Operation

## Wireless Adjustable Base TWINXL





## Installation Video

# CONTENTS

Safety & Warranty Warnings	01
Part List	05
Installation Guide	06
Remote Control Instructions	17
Setting Programmable Positions and Pairing Remote	19
Synchronizing Two Bases	21
Troubleshooting	23
Adjustable Base and Bed Rail	25

# Safety & Warranty Warnings

---

**Attention:** Read the following information before using this product. Failure to use a surge protection device could compromise safety or cause product malfunction and could void the electrical portion of your warranty.

Electrical surges are by far the biggest cause of problems with electrical circuits.

In order to help protect your investment in case of a power surge or outage, use an electrical surge protection device (not included).

## WARRANTY WARNING!

Do not open or tamper with the transformer, control box, motors, or remote control (with the exception of battery compartments).The product warranty will be void if these components are tampered with.

## SMALL CHILDREN AND PETS:

Immediately dispose of all packing materials as they can smother small children and pets. Do not allow any persons or pets under the bed.Children, convalescents and disabled person should not operate the bed without adult supervision.

## PRODUCT RATINGS:

The bed liG motors are not designed for continuous use of more than 2 minutes in an 18 minutes period, or approximately 10% duty cycle.Any attempt to circumvent or exceed this rating will shorten the life expectancy of the product and may void the warranty.

## **WEIGHT UNITS:**

The limitation for this adjustable bed is 700 lbs. The bed will structurally support these weights, provided weight is evenly distributed across the head and foot sections. This product is not designed to support or lift this amount in the head or foot section alone. Exceeding this weight restriction could damage the bed and/or cause injury and void the warranty. Enter or exit the bed in a flat position and do not sit on the head or foot sections while in the raised position.

## **LIFTING AND LOWERING MECHANISMS:**

It is normal for the raising and lowering feature on this bed to emit a minimal humming sound during operation.

## **LOCATION ENVIRONMENT:**

The level of sound experienced in a room is directly related to the environment within that location. To reduce the resonance, place a piece of carpet or rubber casters cups under the legs. The rubber caster cups also prevent the bed sliding when located on smooth or hard surface flooring.

## **TO REDUCE THE RISK OF SHOCK, BURNS, FIRE OR INJURY;**

Make sure the base is in a flat position and the vibrating motors are turned off before unplugging the bed base from the power source. Always unplug the base from the electrical outlet before cleaning or servicing the base. If the cord or plug is damaged, discontinue use of the bed base.

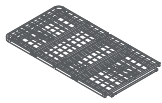
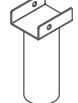

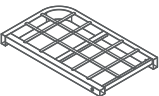
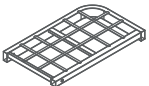
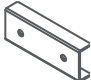
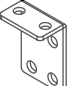

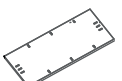
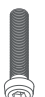
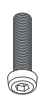




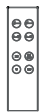

## **FCC COMPLIANCE:**

This device complies with part 15 of the FCC Rules for residential use. Operation is subject to the following two conditions: (1) This device may not cause harmful interference, and (2) this device must accept any interference received, including interference that may cause undesired operation.

## **Radio Frequency: 2.4 GHz**

# Part List

## Assembly Instructions

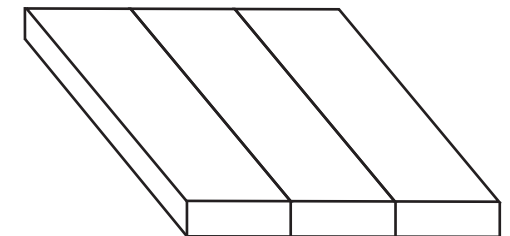
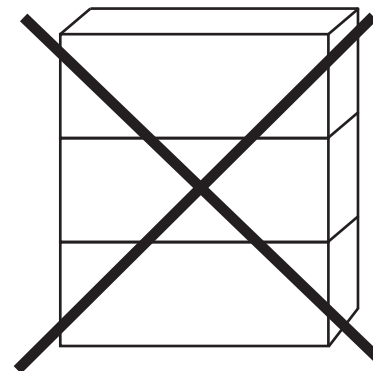
A	B	C	D	
				
1pcs	6pcs	6pcs	1pcs	
E	F	G	H	
				
1pcs	3pcs	2pcs	1pcs	
I	J	K	L	
				
1pcs	M6×40mm 2pcs	M6×35mm 6pcs	M6×16mm 18pcs	
M	N	O	P	Q
				
M6 6pcs	1pcs	1pcs	1pcs	1pcs

# Installation Guide

Two people are required to set up the foundation.

**NOTE:** To avoid damage to the foundation, always open the carton while the bed is in the flat position.

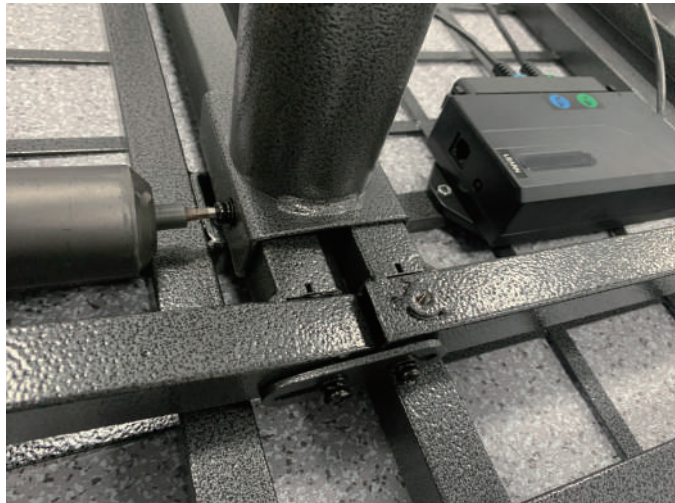
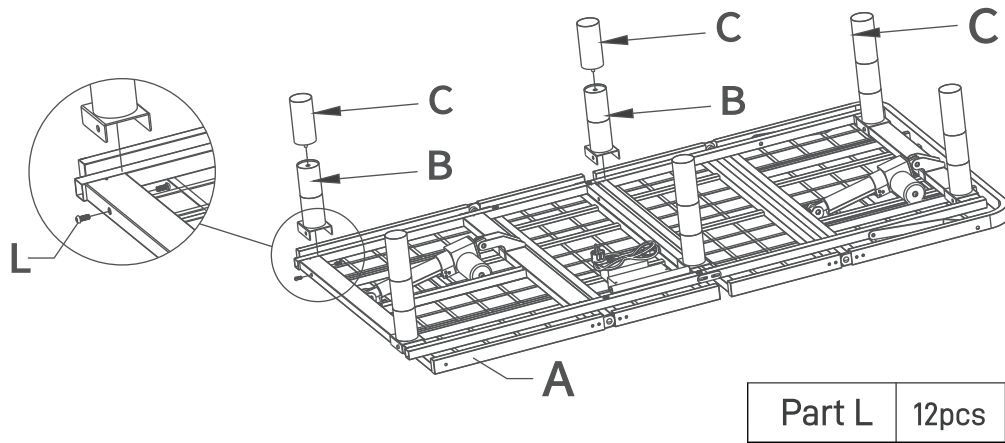
Open the shipping box and carefully take out the bed frame from packaging and open it.



# TO INSTALL ALL LEGS:

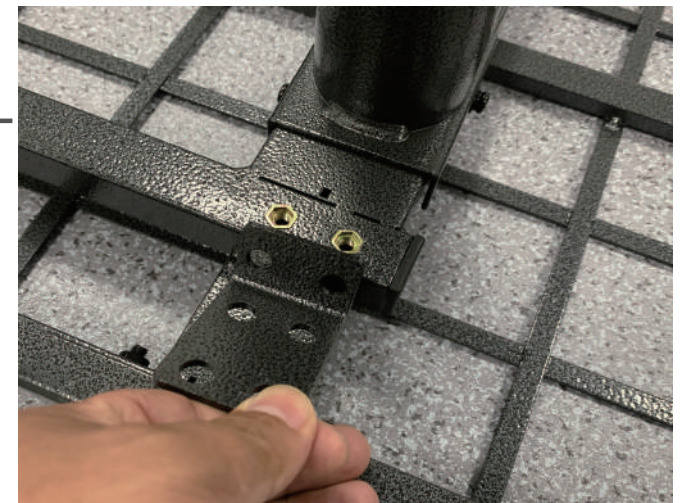
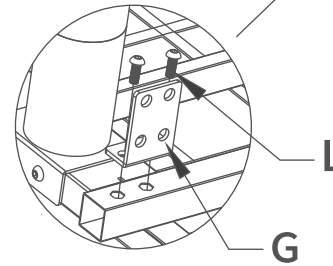
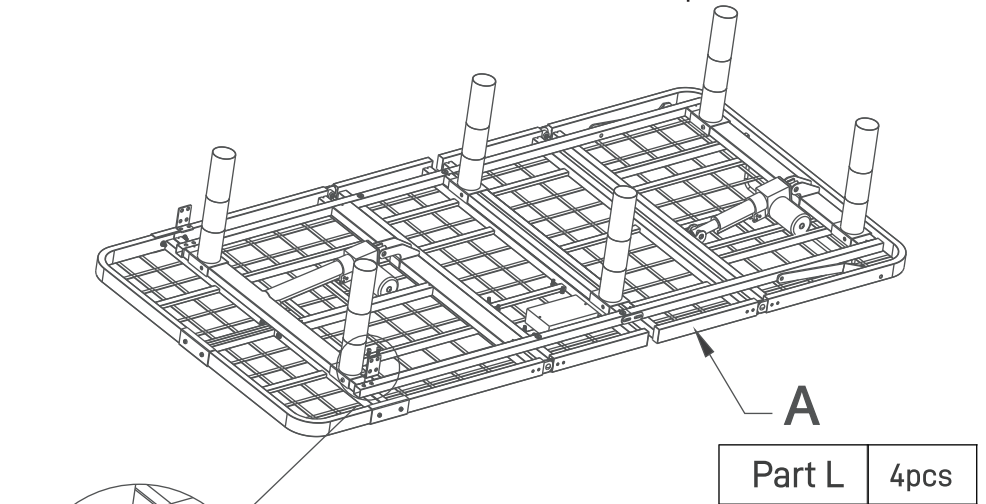
## Step 1

1.Thread the 6 bolt of the legs to the nut on the foundation frame, and tighten by hand. ( The legs are adjustable with 2 heights: 9 inch, 14 inch)



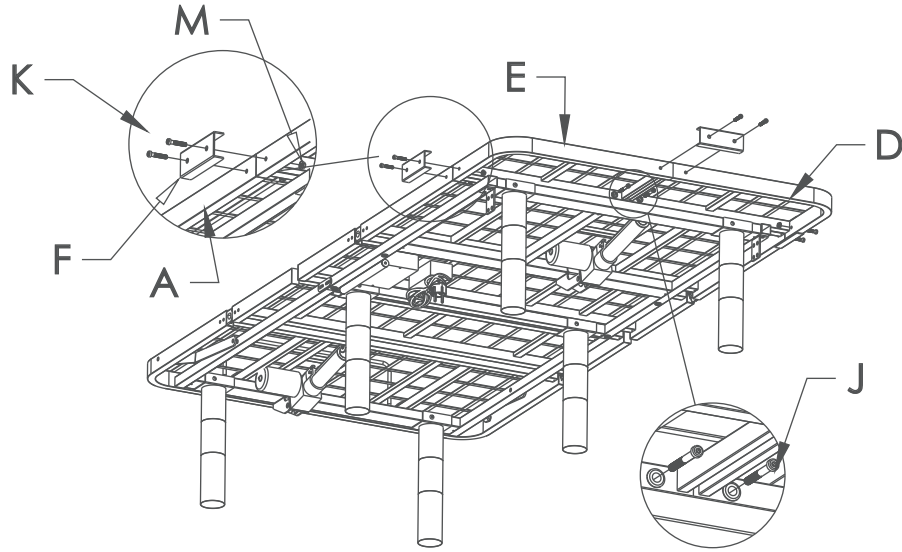
## Step 2

2.Assembled the parts G (2 PCS) to the head of the foundation frame and tighten by the screws G if assemble the bed headboard needed (for installed the bed headboard required.)

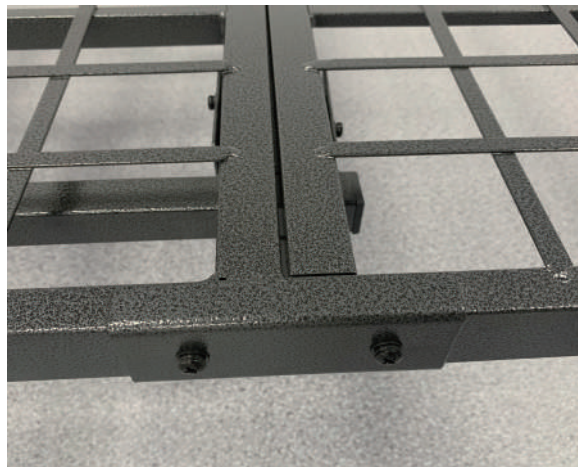


### Step 3

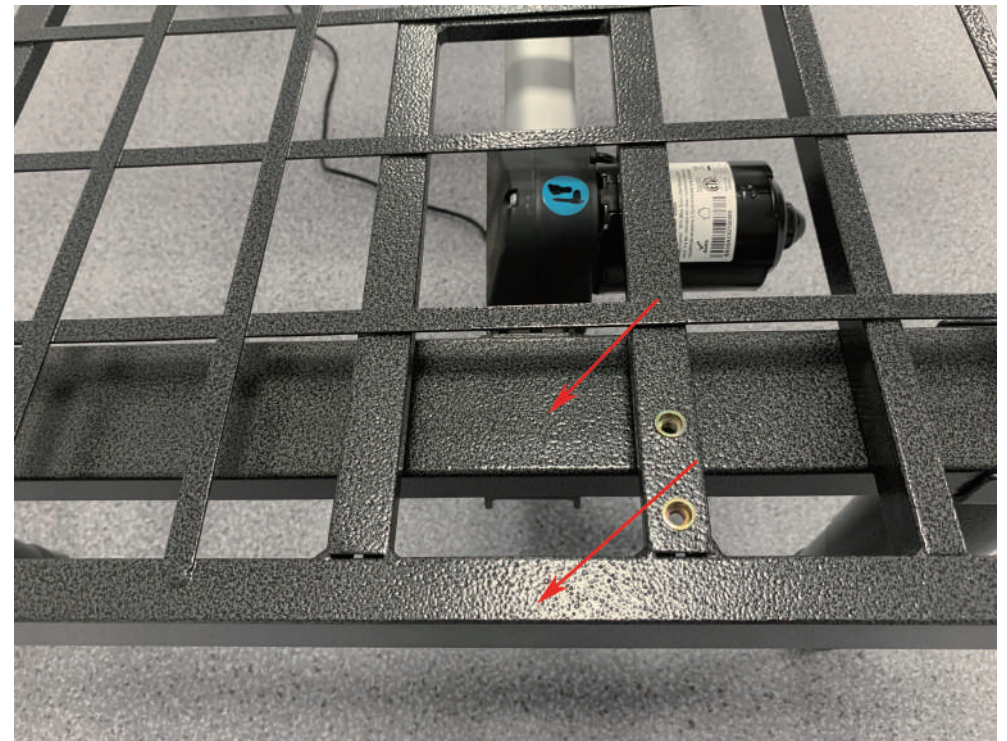
3. Carefully turn the base over without placing weight on the legs, to prevent bending. Assembled the parts D&E by tighten parts F ( 3 PCS).

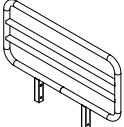
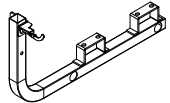
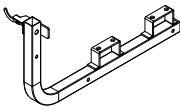
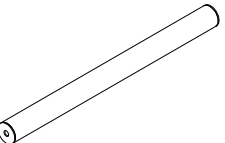
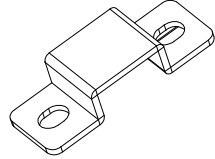




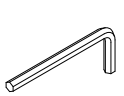
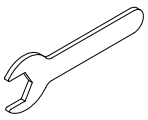


Part J	2pcs
Part k	6pcs
Part M	6pcs

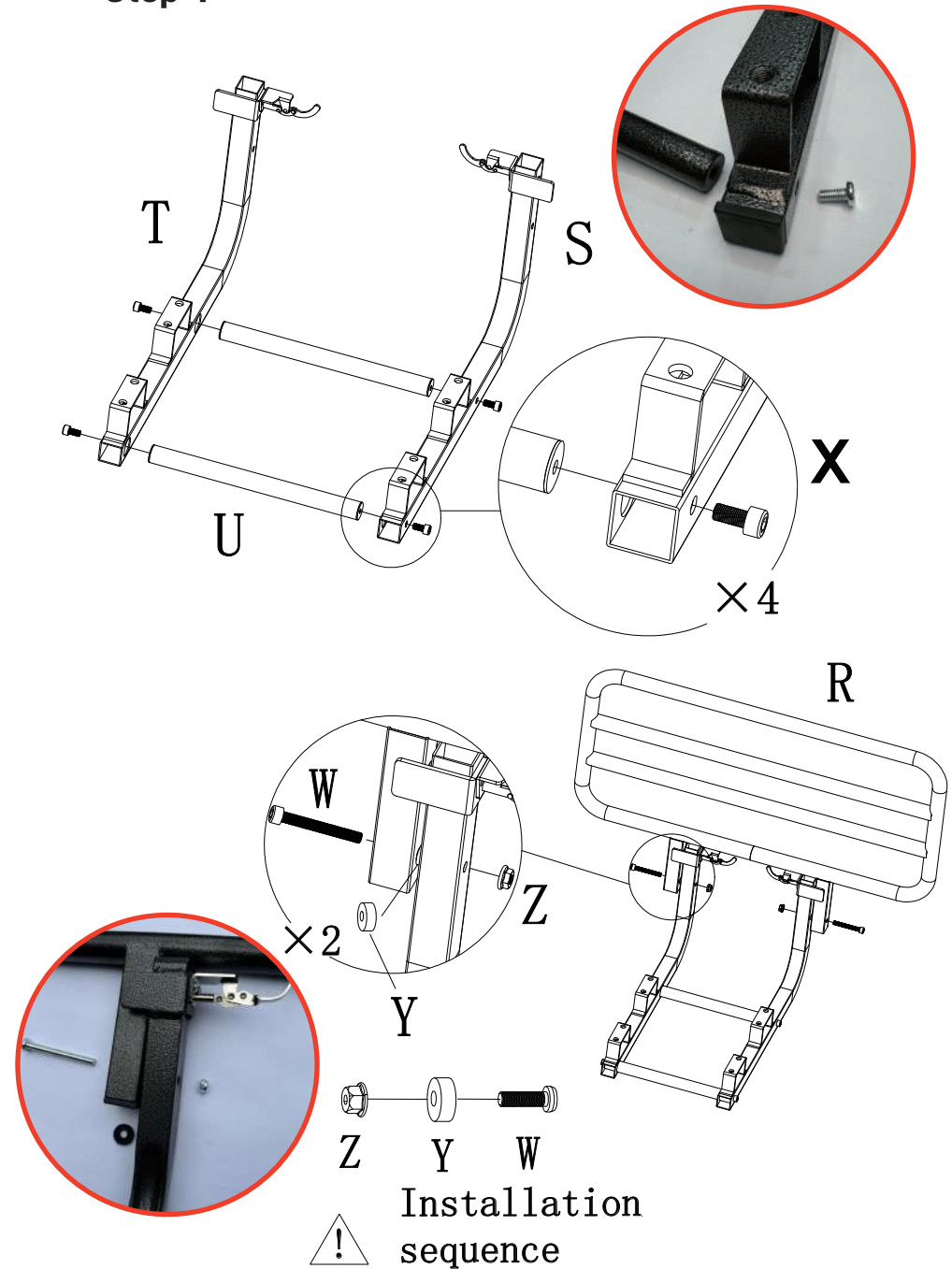


**Attention:Be careful when you turn over or carry the base,lift up the below two parts together!**

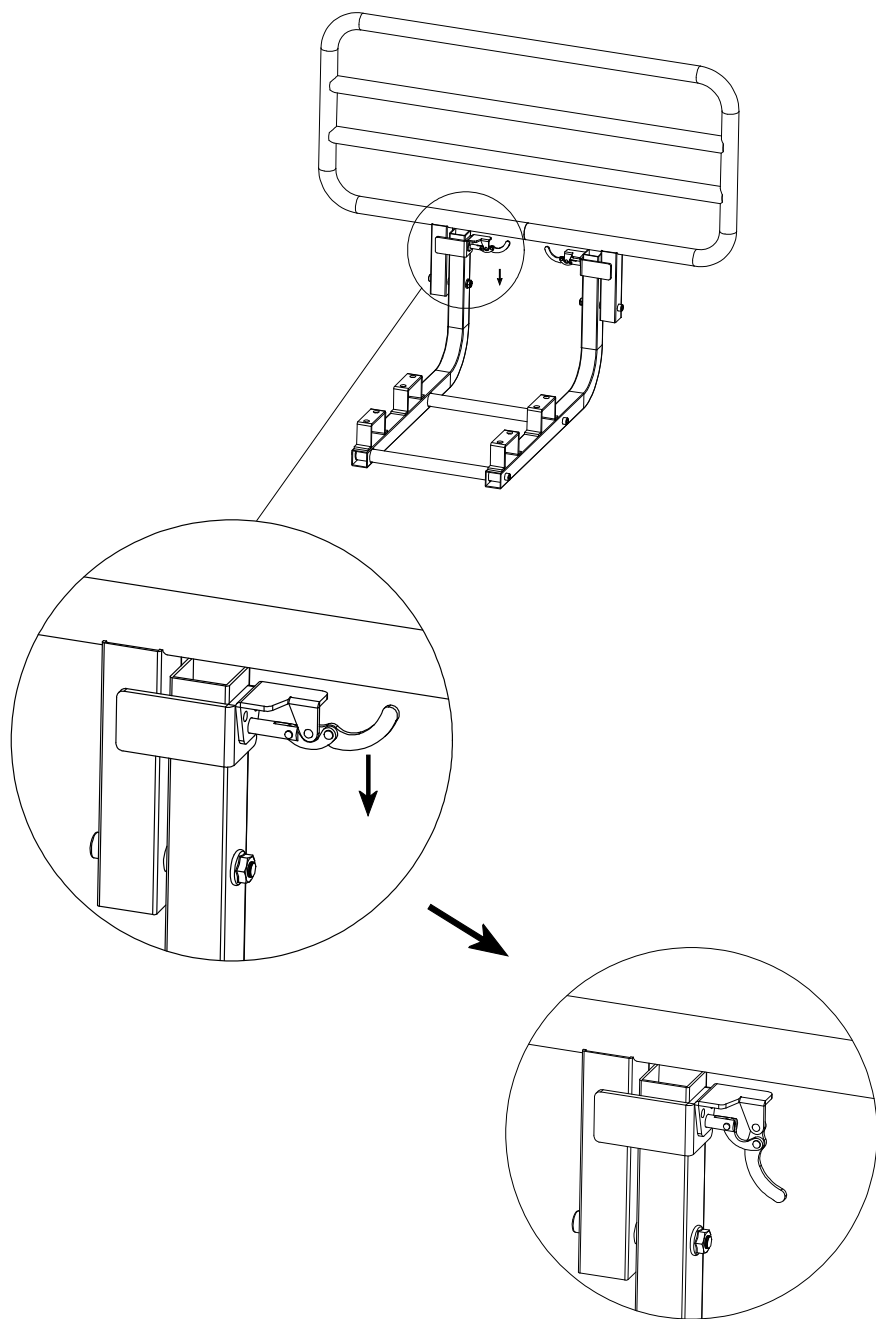


<b>R</b>	<b>S</b>	<b>T</b>	
			
<b>1pcs</b>	<b>1pcs</b>	<b>1pcs</b>	
<b>U</b>	<b>V</b>	<b>W</b>	<b>X</b>
			
		M6 × 60mm	M6 × 12mm
<b>2pcs</b>	<b>4pcs</b>	<b>2pcs</b>	<b>12pcs</b>
<b>Y</b>	<b>Z</b>	<b>A</b>	<b>B</b>
			
H=3mm			
<b>2pcs</b>	<b>2pcs</b>	<b>1pcs</b>	<b>1pcs</b>

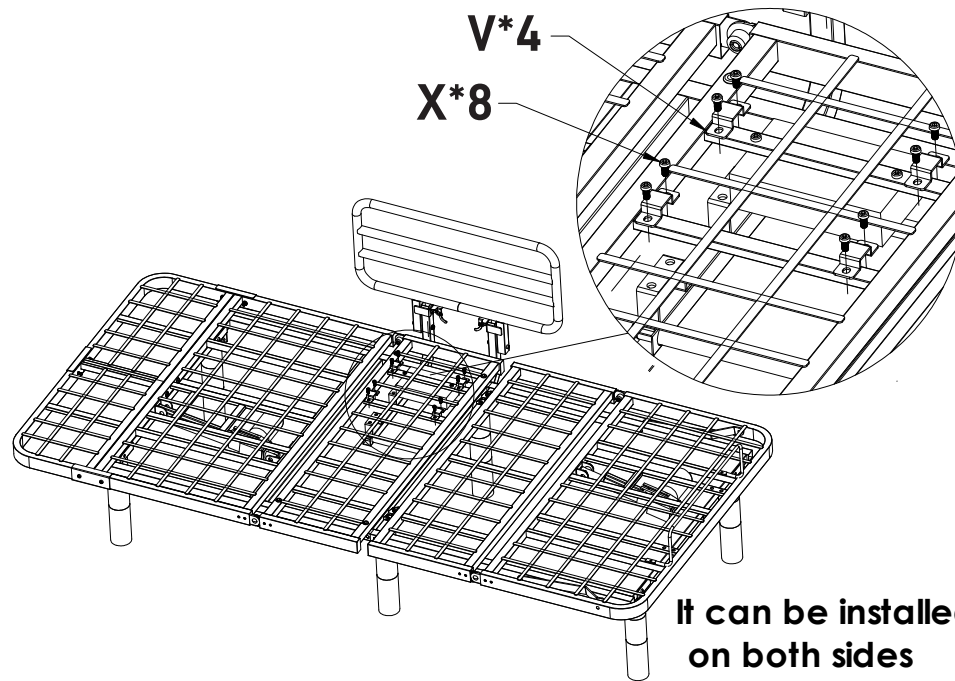
**Step 4**



**Step 5**



**Locked**

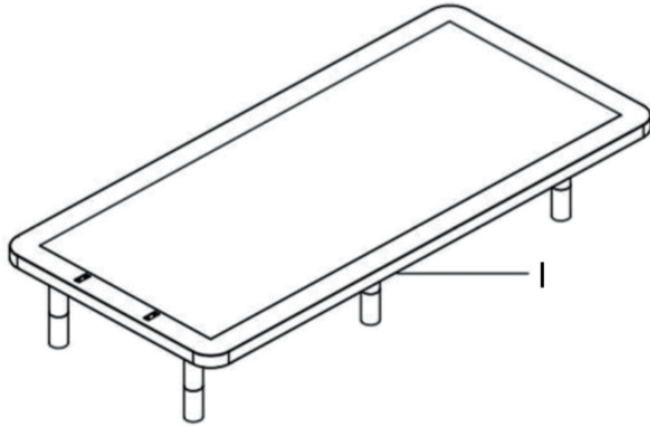


**It can be installed  
on both sides**

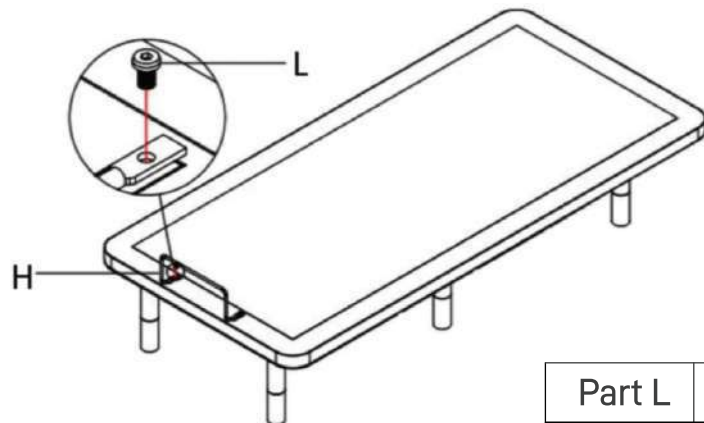


## Step 6

4. Put the protect cover on the installed foundation frame.



5. Secure the mattress retainer bar brackets.



## Step 7

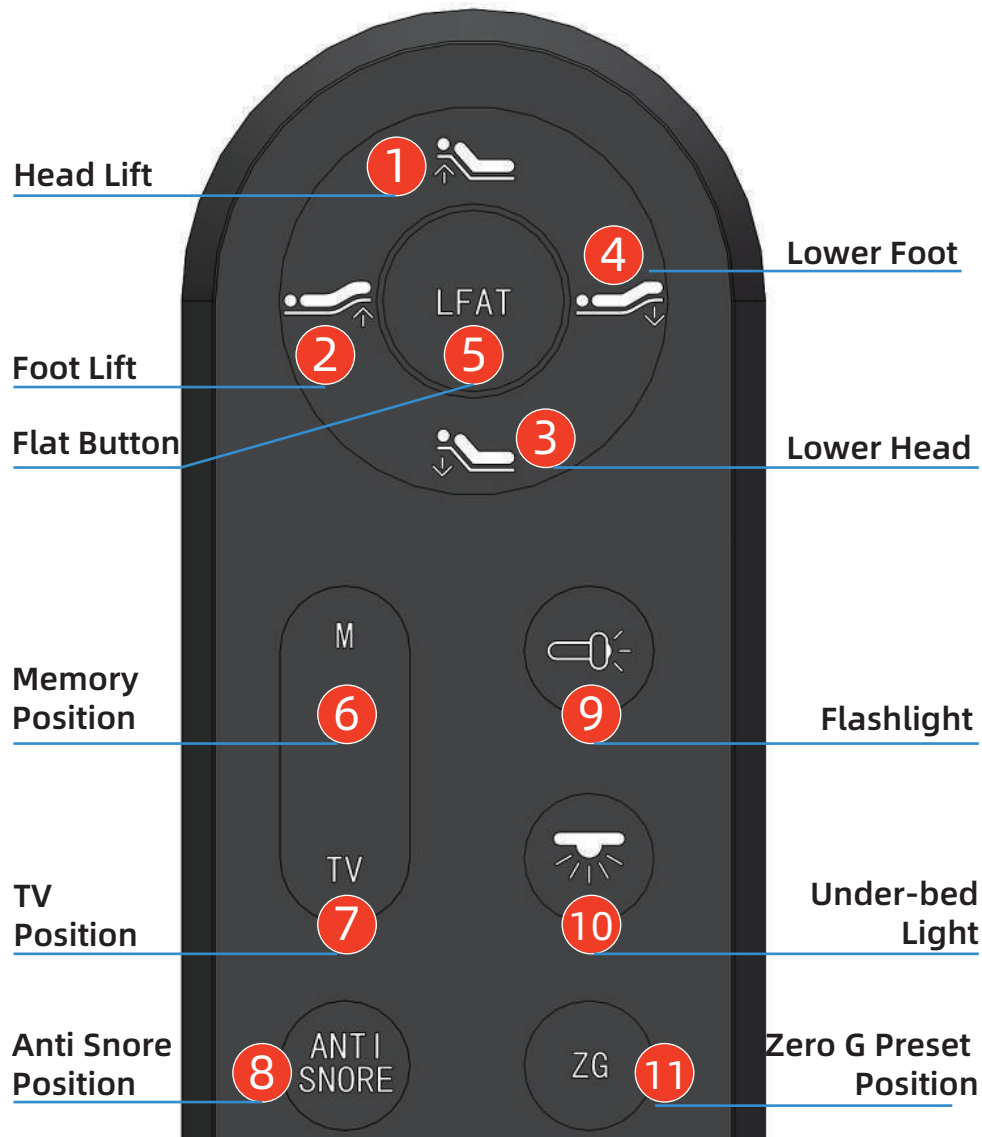
6. Uncoil the input power cord (connected to the control box's power port) and plug it into the power supply.



7. Uncoil the power cord and connect it to the power supply.



# Remote Control Instructions



## ADJUST - PRESS & HOLD

 The HEAD ▲▼ arrows lift and lower the head section of the base.

 The FOOT ▲▼ arrows lift and lower the foot section of the base.

## ONE TOUCH BUTTONS

One touch FLAT preset position.

One touch ZG preset position.

One touch programmable preset position.

One touch ANTI SNORE Preset Position.

One touch TV Preset Position

## Setting Programmable Positions and Pairing Remote

---

### SETTING PROGRAMMABLE POSITIONS

The wireless power bed has a programmable feature that allows you to save custom positions. Please read all the instructions below before setting your custom presets on the remote.

#### STEP 1

Adjust the head and foot to your desired position.

#### STEP 2

Then press and hold the **MEMORY** button for 5 seconds until you hear beeps sound.

#### STEP 3

To adjust the saved position, repeat step 1 and 2 and the new position will be saved.

## Pairing Remote

---

The original remote that comes in the box is already paired to the foundation. No further action is required.

In the event that the remote is not paired with the foundation, follow the steps below.

**Notice: Please do not sit on the bed to setting the programmable position or pairing remote.**

#### STEP 1

Make sure the batteries work fine, replace them when needed.

#### STEP 2

Plug power cord to the power source.

#### STEP 3

Press and hold **head lowers and foot lift** simultaneously, then press and hold the **blue button** of plug cord for 3 seconds until you hear beeps sound, the remote is then paired.

# Synchronizing Two Bases

## Step1

Plug base A and base B to power source.

## Step2

1) Press and **hold head lowers and foot lift** simultaneously of one of the remote control, then press and hold the **blue button** of plug cord of base A for 3 seconds until hear beeps sound, the remote is paired to base A.

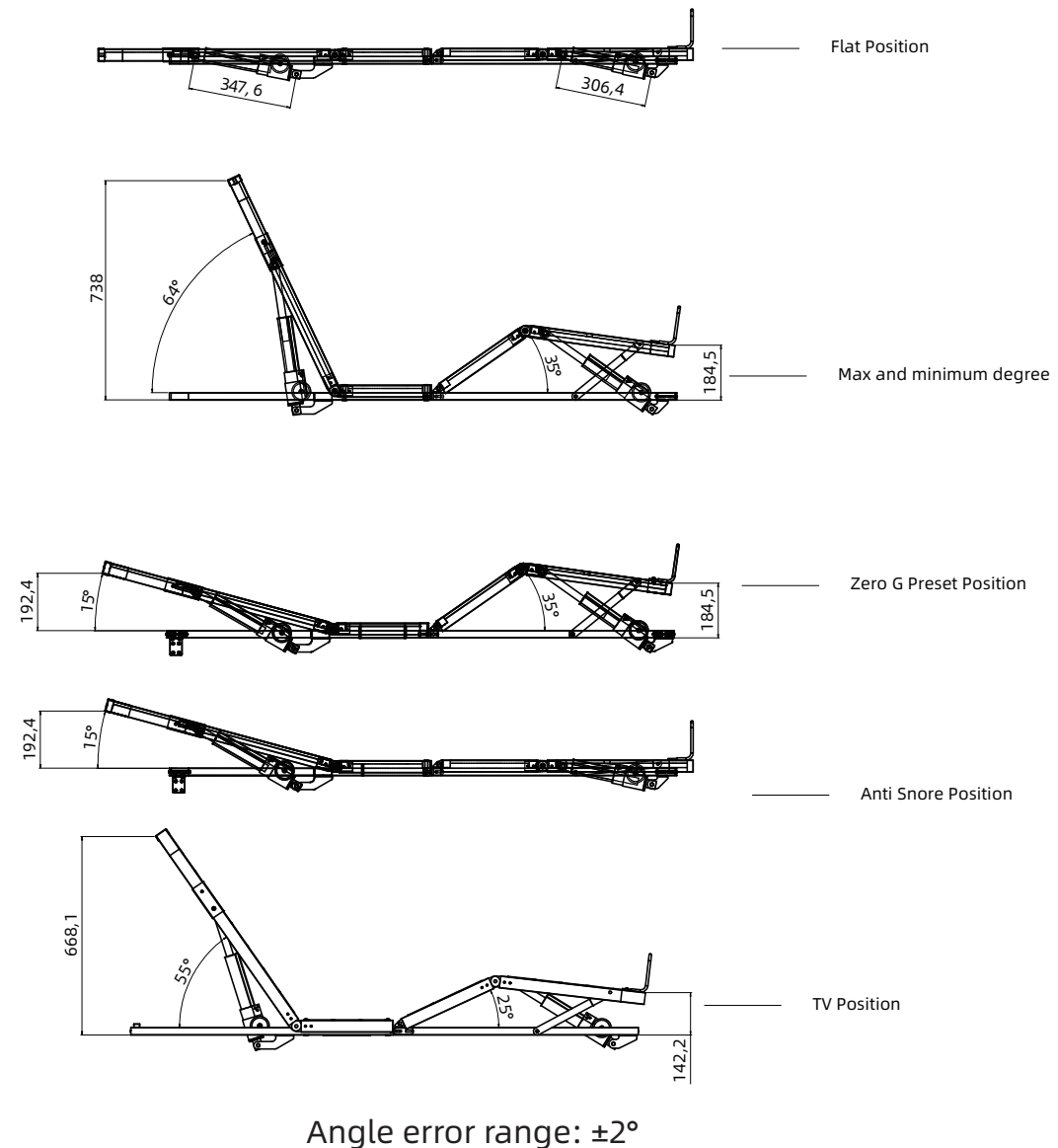
2) Repeat the above actions, using the same remote control press and **hold head lowers and foot lift** simultaneously then press and hold the **blue button** of plug cord of base B for 3 seconds until hear beeps sound, the remote is paired to base A and base B.

## Step3

### Notice:

The one bed base only following the one remote control, if you want to operate the bed base separately, only need to pair the remote again.

# Specific Degrees



# Troubleshooting

In the event that the power foundation fails to operate, assess the symptoms and possible solutions provided in the chart below.

SYMPTOMS	SOLUTIONS
Remote control illuminates and appears to be operable, but will not activate bed.	Verify that the power cord is plugged into a working, grounded electrical outlet. Test the outlet by plugging in another working appliance.
No features of the power foundation will activate.	<p>Program the remote control(see the Setting Programmable Positions and Pairing Remote section of this manual for programming procedures).</p> <p>Unplug the power cord, wait 30 seconds and plug back to reset electronic components.</p> <p>The surge protection device or the electrical outlet may be defective. Test the outlet by plugging in another working appliance.</p>
Wireless remote will not illuminate.	Replace the batteries in the wireless remote.
Head or foot section will elevate, but will not return to the horizontal (tat) position	<p>Bed mechanism may be obstructed.Elevate bed and check for obstruction.</p> <p>Remove obstruction.</p>

SYMPTOMS	SOLUTIONS
Head or foot section will elevate, but will not return to the horizontal (tat) position	<p>Head section may be too close to the wall.</p> <p>Headboard may be too close to the edge of the mattress. Verify that there is enough distance between the headboard brackets and mattress.Adjust if required.</p>
Head & Foot liG function has minor interference during operation.	<p>Check bateries in wireless remote control, replace with two (2) new AAA bateries if necessary.</p> <p>Make sure that you are following the duty cycle of the motors (do not operate more than two minutes over a 18-minute period, or approximately 10% duty cycle).</p> <p>Press the lig butons squarely and accurately.</p> <p>Wireless remote control may be experiencing common Radio Frequency Interference from other radio transmitting devices. Wait several seconds, and then try pressing appropriatebuton again.</p>
A clicking noise is heard under the bed when raising or lowering.	This is normal.The liG motor relays"click" when they are engaged. No action is required.

# Adjustable Base and Bed Rail

---

This bed auxiliary guide rail is made of carbon steel, with a maximum load weight of 300 pounds, providing reliable and safe support, and is very suitable for the elderly, disabled, pregnant women, and postoperative populations. The compact bedrail allows individuals to independently sit and stand up with greater ease, minimizing the risk of falls and reinjury.

- Mounts directly to the bed base
- Simple Assembly
- Bothside can be installed

