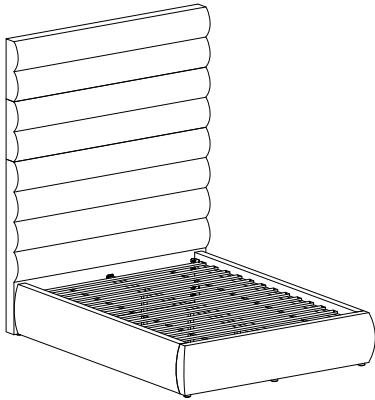


ASSEMBLY INSTRUCTION

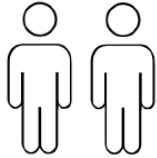
Queen bed



+ Do Not Use Power Tools



+ Suggested Adults



NOTE:

- 1 Read instructions cover to cover.
- 2 Save all packaging until assembly is completed.

1 IMPORTANT SAFETY INFORMATION

Do not assemble the product if any of the following parts arrived damaged:

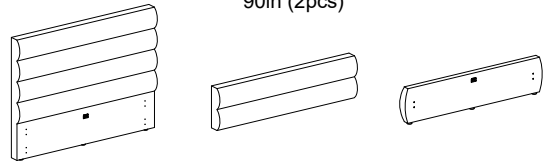
- Part # - Side Rails
- Part # - Center Support Bar
- Part # - Support Legs
- Part # - Slats

2 IMPORTANT ASSEMBLY INFORMATION

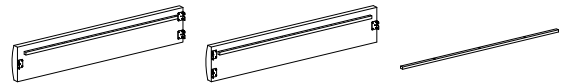
Assembly Step Ensure the side rail bracket is fully hooked onto bolt loosely threaded with both washers on the OUTSIDE of the bracket first, then proceed to fully tightening all 4 corners.

+ Parts Included

- ① Headboard (1pc) ② Headboard Panel 70in (1pc) 90in (2pcs) ③ Footboard (1pc)



- ④ Side Rail -Left (1pc) ⑤ Side Rail -Right (1pc) ⑥ Center Rail (1pc)



- ⑦ Support Leg (3pcs) ⑧ Slats (1pc) ⑨ Connection Rod (3pcs)



+ Hardware Included

- A JCBC M8x50mm (21pcs) B JCBC M8x40mm (15pcs) C Flat Washer (36pcs)



- D Spring Washer (33pcs) E Allen Key M5x70mm (1pc) F CSK M4x32mm (30pcs)

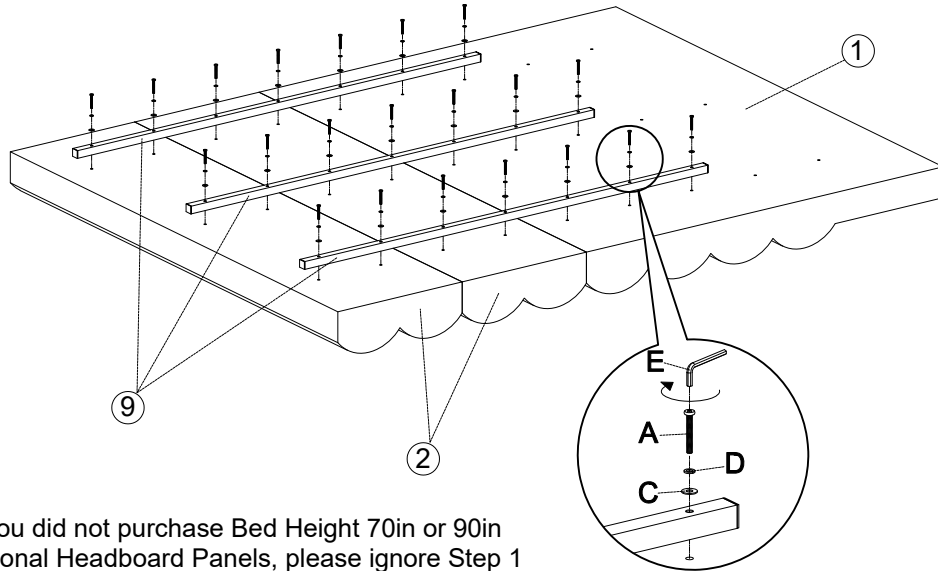


- G CSK M4x19mm (4pcs)



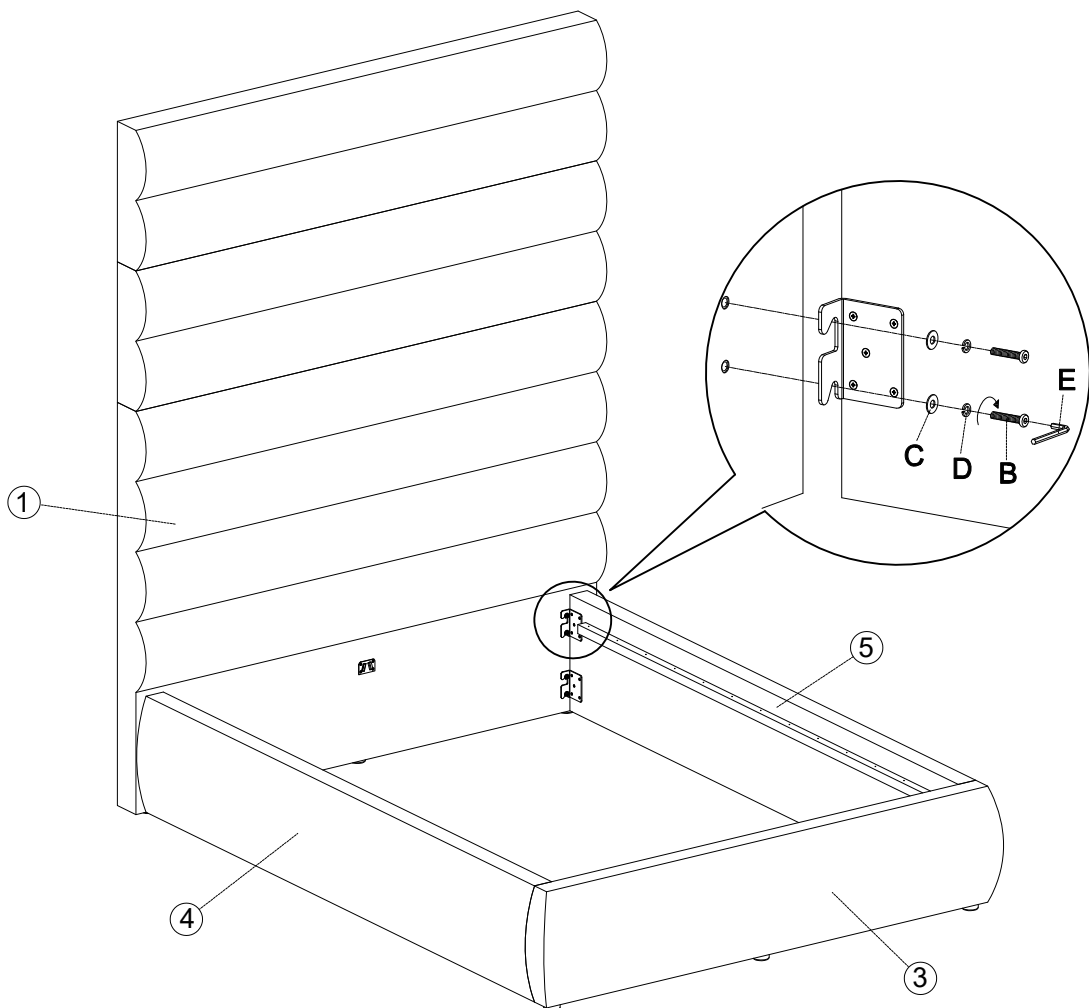
ASSEMBLY INSTRUCTION

1



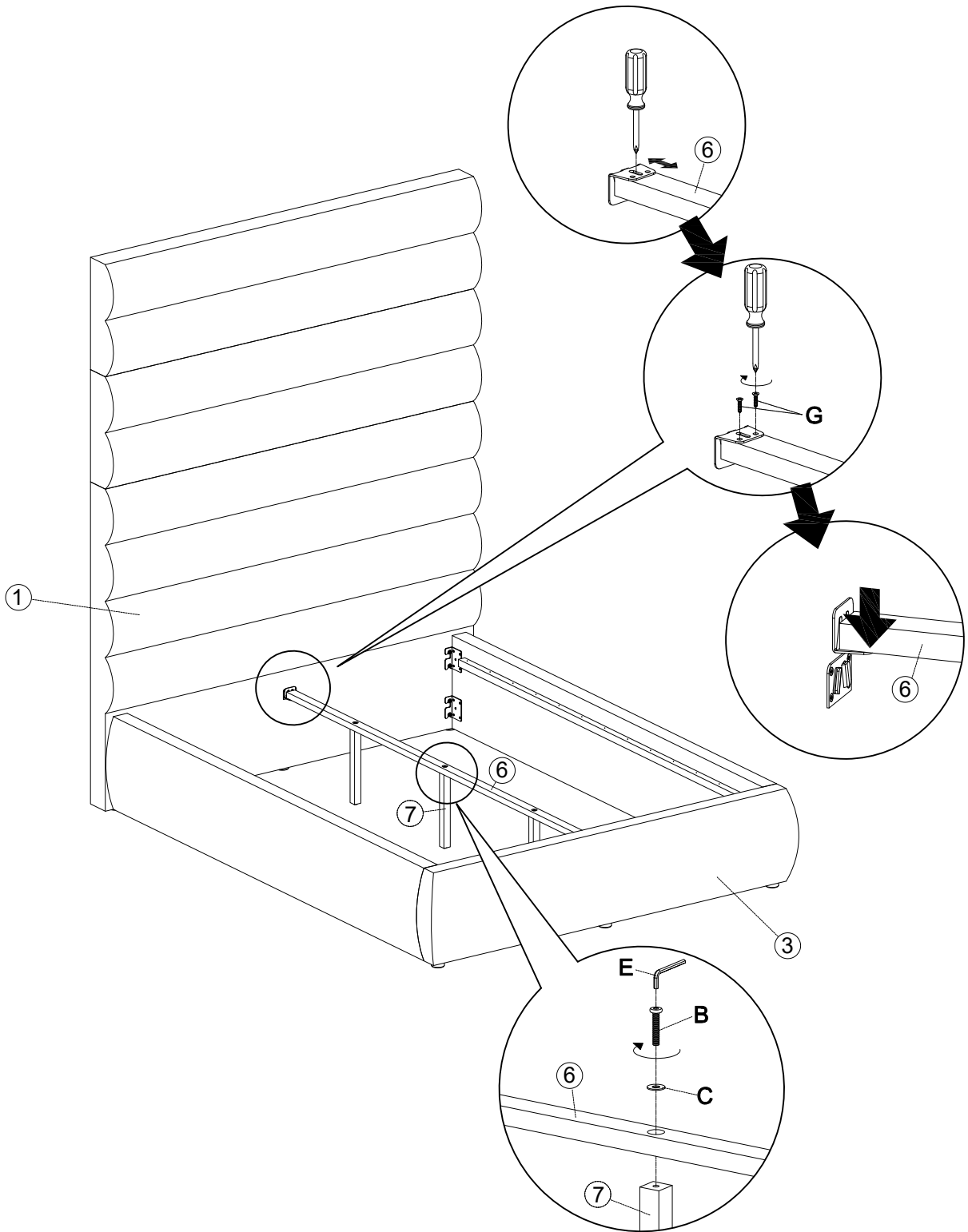
Important: If you did not purchase Bed Height 70in or 90in with the additional Headboard Panels, please ignore Step 1

2



ASSEMBLY INSTRUCTION

3



ASSEMBLY INSTRUCTION

4

