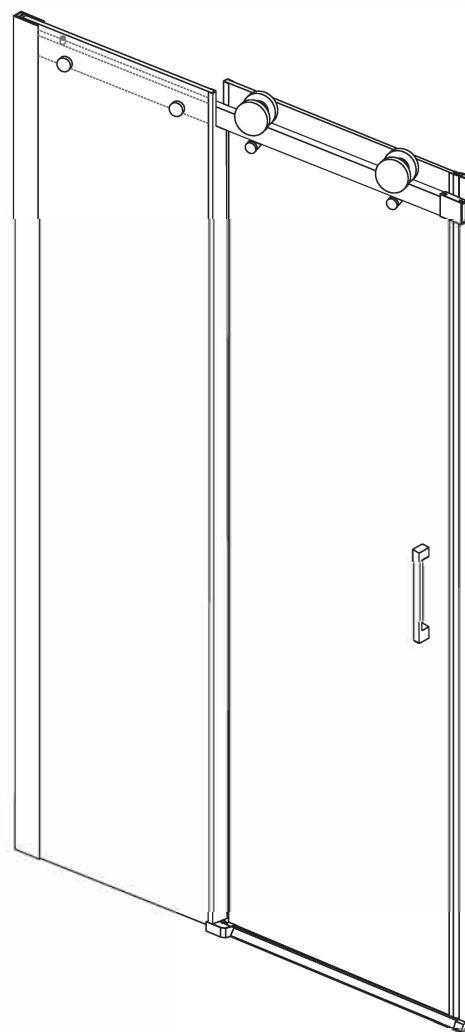
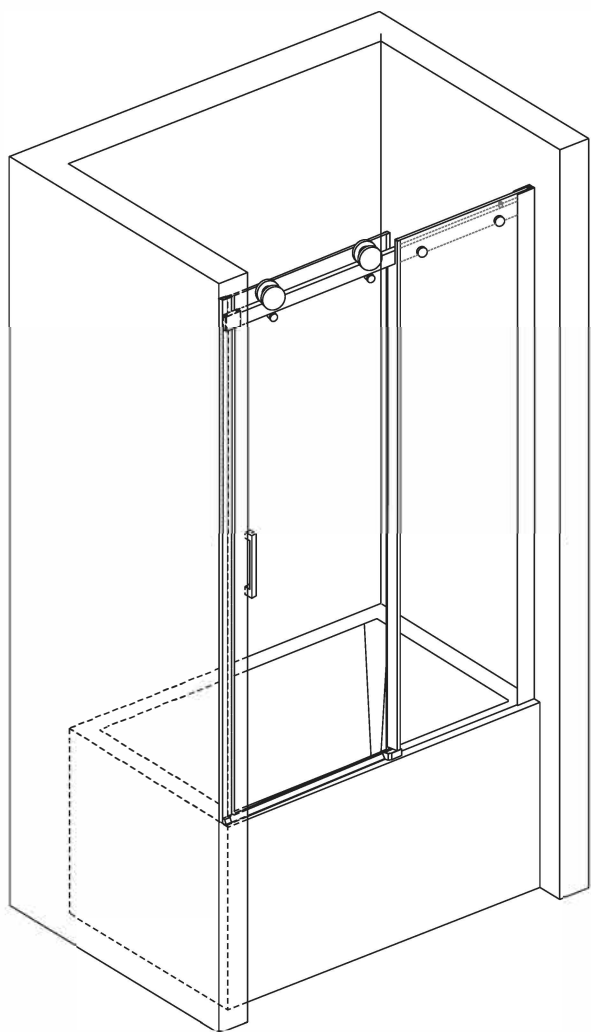


INSTALLATION INSTRUCTIONS



ENRO1049 ENRO1011 ENRO1023



◆ General Information

Please inspect the product immediately upon receipt for transit damage, missing packs/parts or manufacturing fault. Damage reported later cannot be accepted. Please handle the product with care avoiding knocks and shock loading to all sides and edges of the glass.

Notes: Safety glass can not be re-worked.

Please read these instructions carefully before start of installation.

Special care should be taken when drilling walls to avoid hidden pipes or electrical cables.

Note: This product is heavy and may require two people to install.

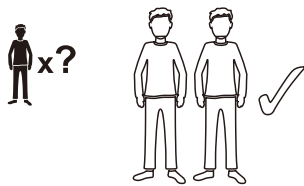
Aftercare instructions

After use, your shower should be cleaned with soap and water. This is particularly important in hard water districts where insoluble lime salts may be deposited and allowed to build up. Cleaners of a gritty or abrasive nature should not be used. Care should be taken to avoid contact with strong chemicals such as organic solvents and strippers.

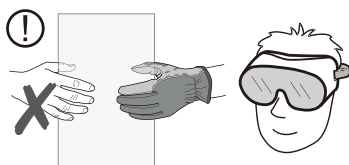
Glass cleaners can be used but with caution, if in doubt contact the manufacturer of the cleaner in question.

Please keep these instructions for aftercare and customer service details.

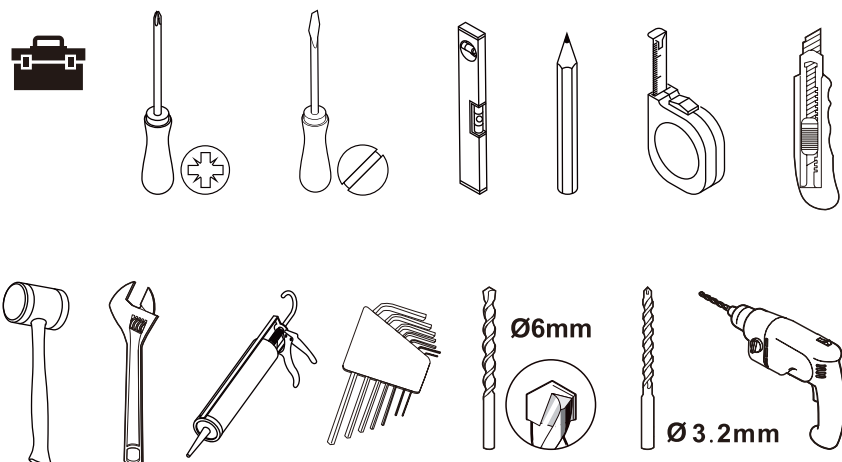
It is recommended that at least two people install it.



Wear gloves and goggles for your safety.



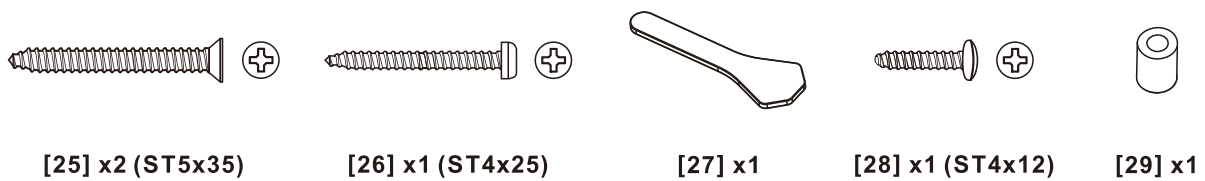
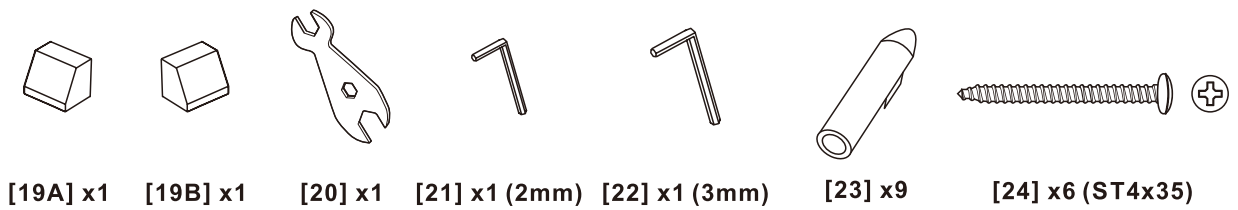
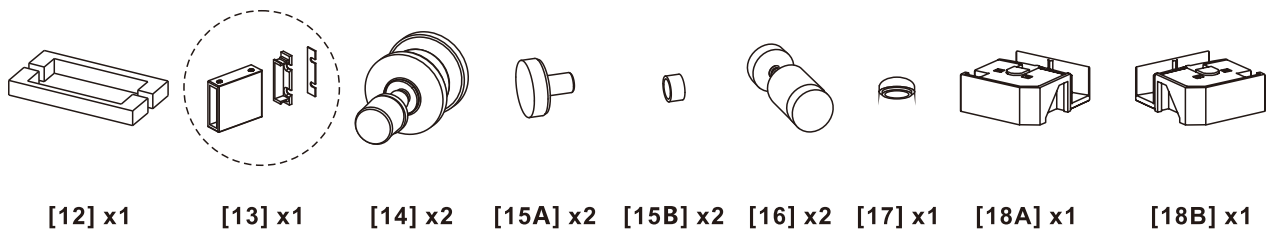
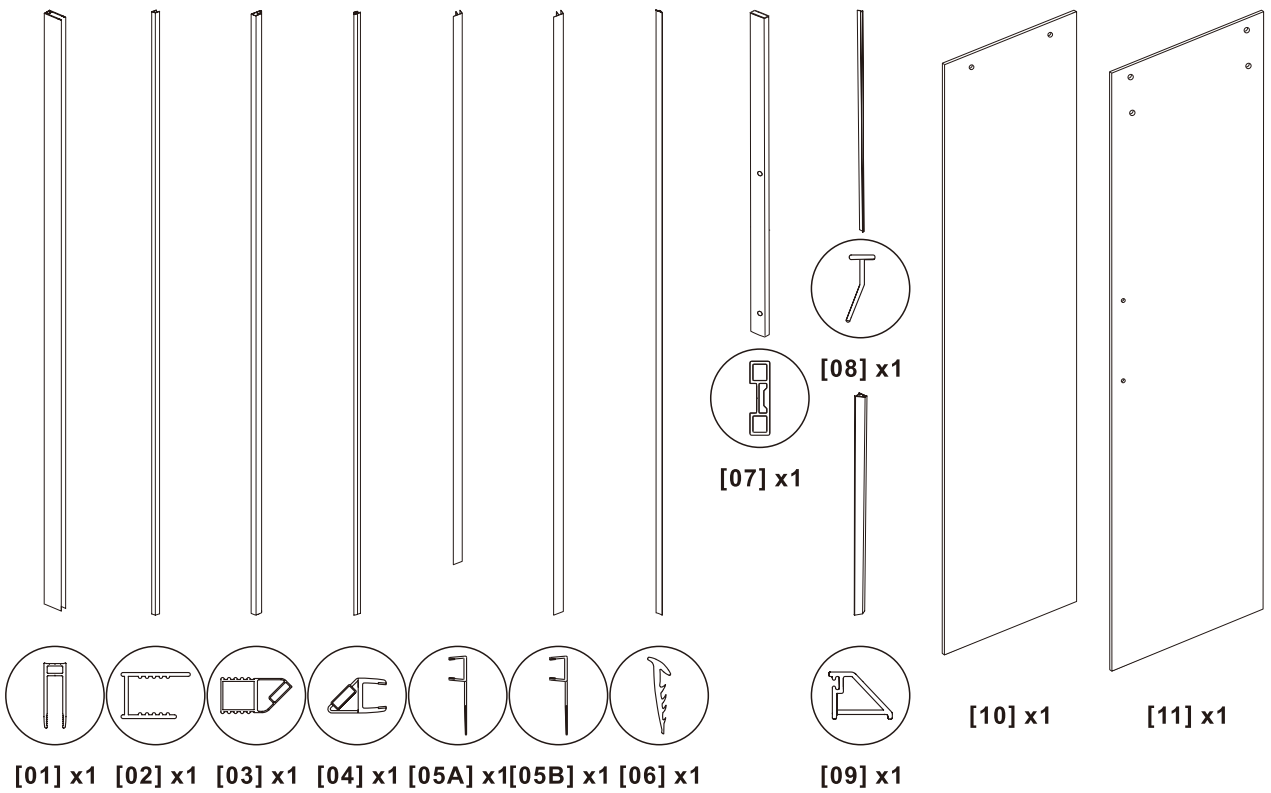
Required Tools

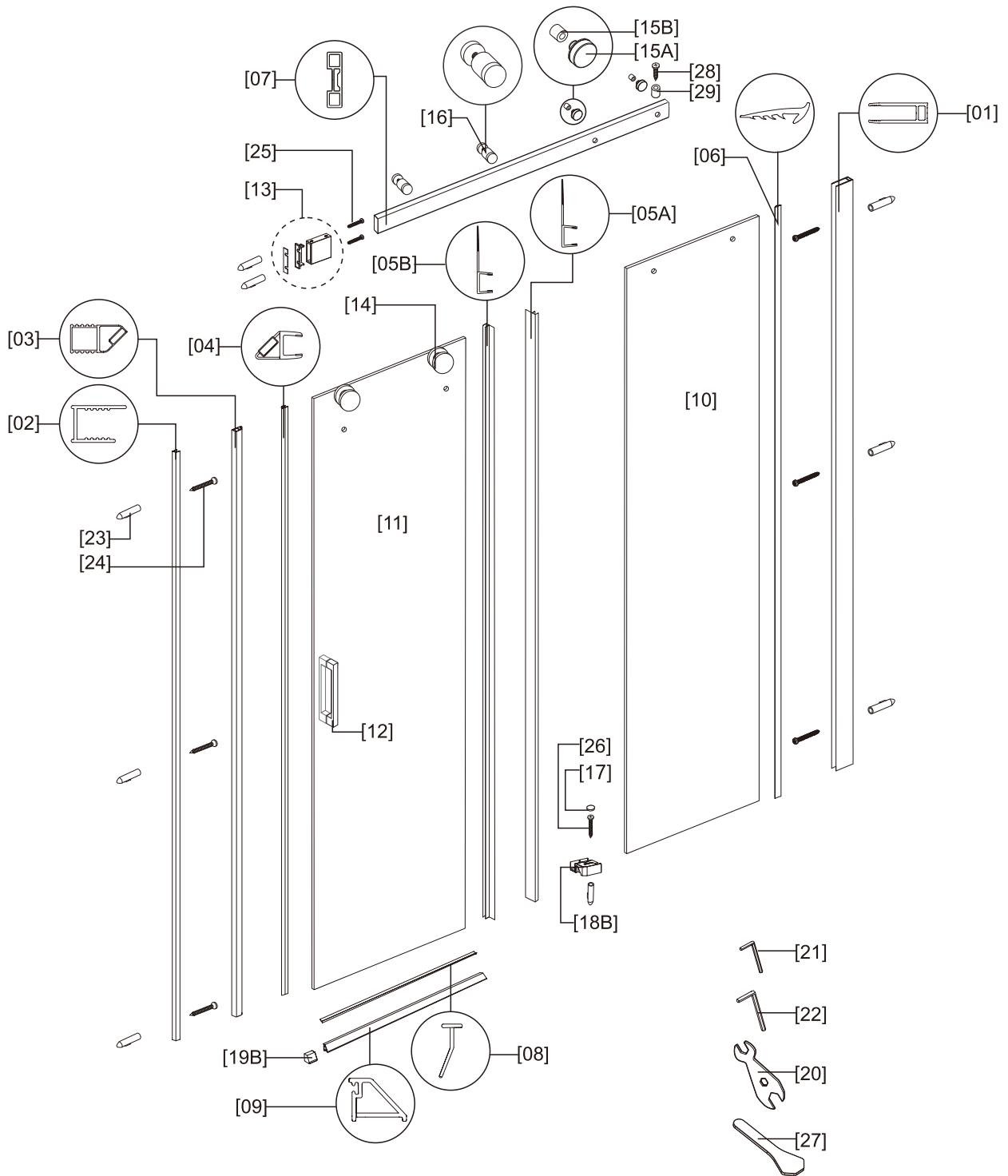


If something is missing or broken, please contact us. We will help you.



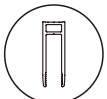
What's in the box



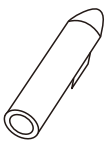




01



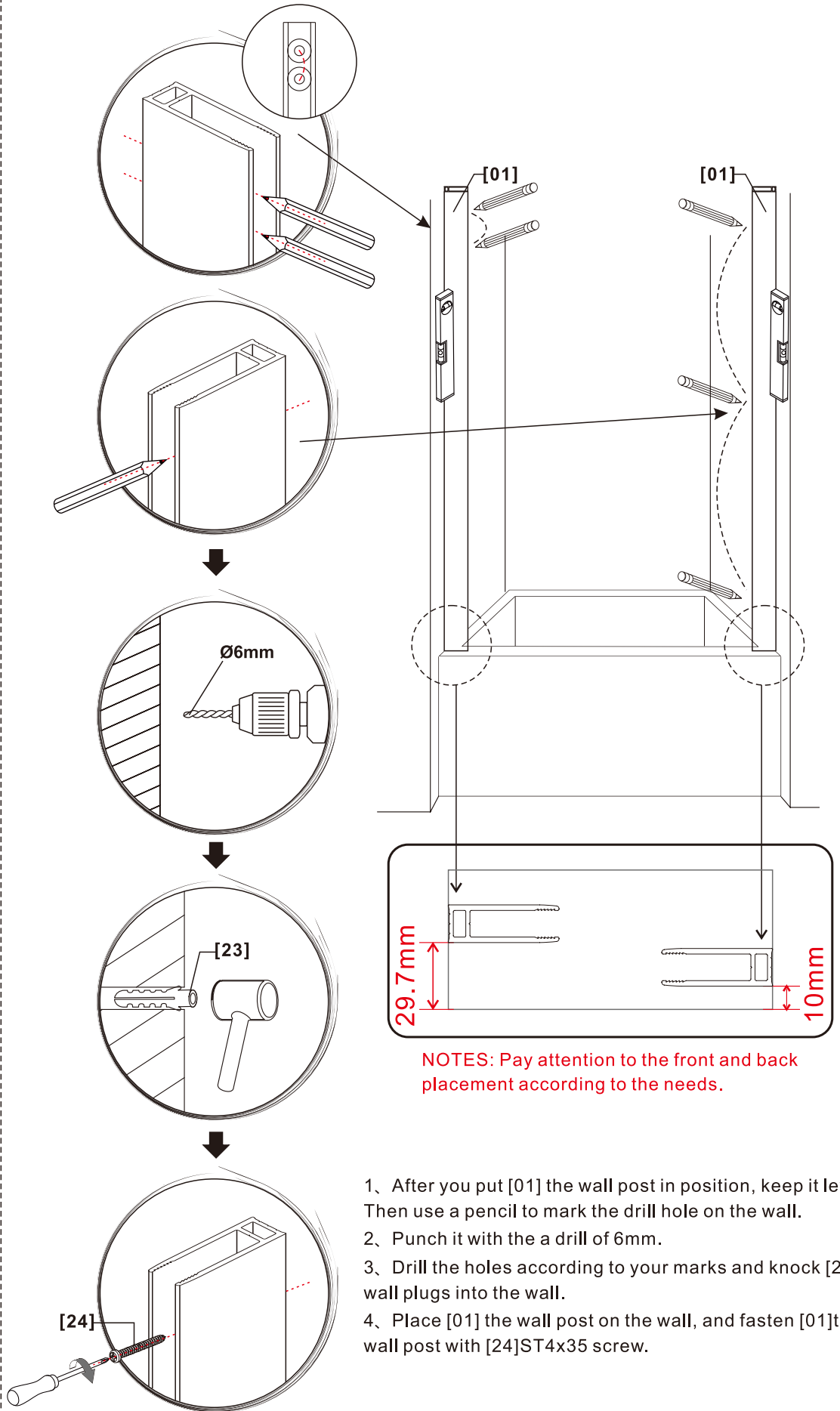
[01] x1



[23] x5



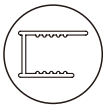
[24] x3 (ST4x35)



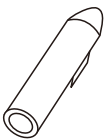
NOTES: Pay attention to the front and back placement according to the needs.

- 1、 After you put [01] the wall post in position, keep it level. Then use a pencil to mark the drill hole on the wall.
- 2、 Punch with the a drill of 6mm.
- 3、 Drill the holes according to your marks and knock [23] wall plugs into the wall.
- 4、 Place [01] the wall post on the wall, and fasten [01]the wall post with [24]ST4x35 screw.

02



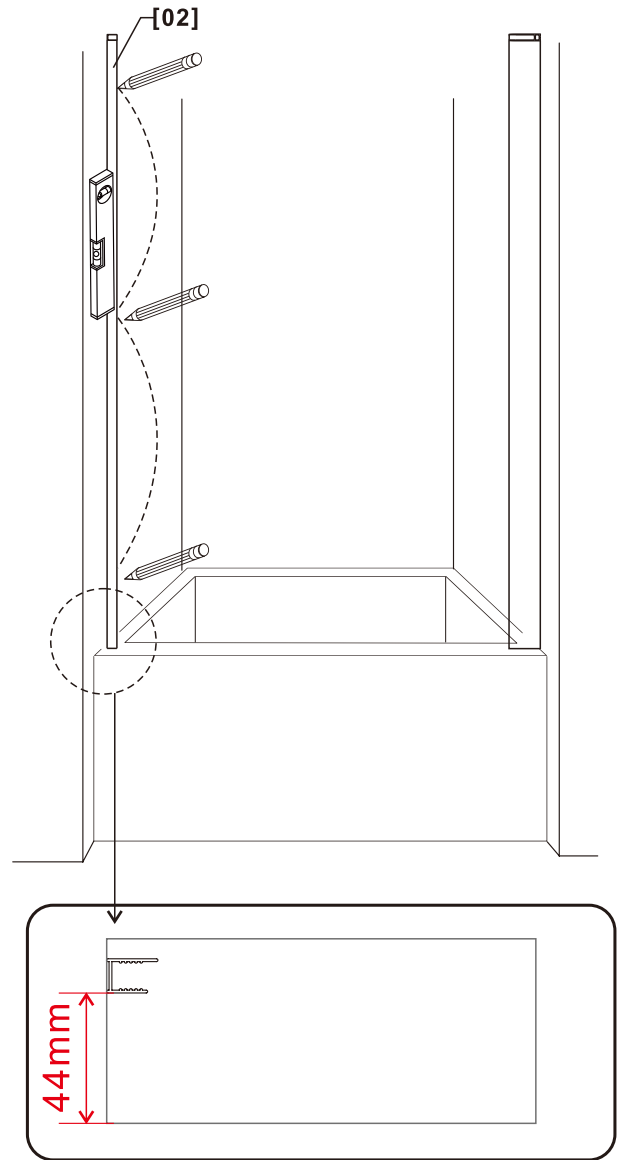
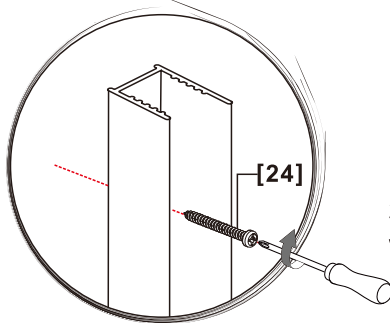
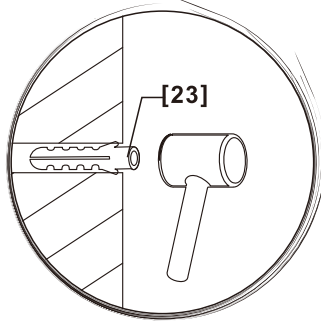
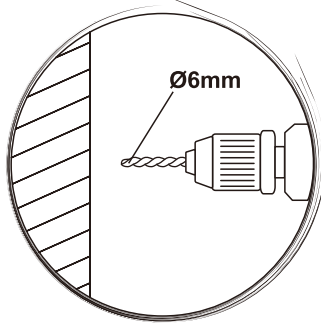
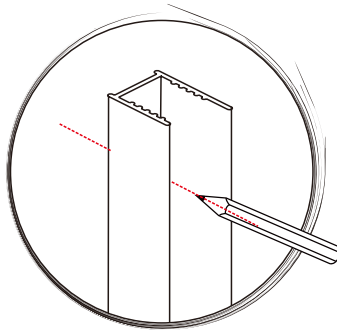
[02] x1



[23] x3



[24] x3 (ST4x35)

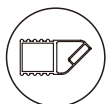
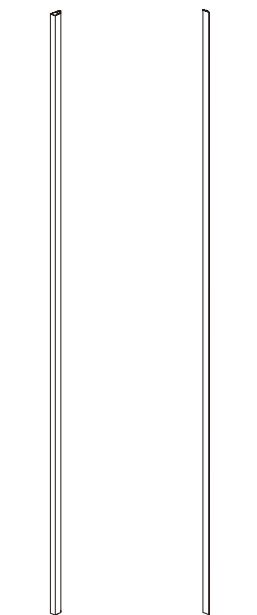


1、 Put [02] in position, keep it level. Then use a pencil to mark the drill hole on the wall.

2、 Drill the holes according to your marks and knock [23] wall plugs and [24] ST4x35 screw into the wall.

03

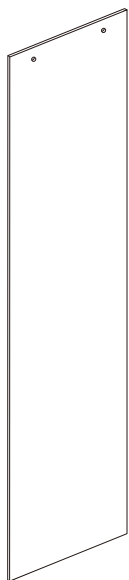
1. As shown in the figure , put [03] insert in [02].
2. Put [10] the glass panel into the [01]wall post. Leave a 0-20 mm space. Then use [27] to push the [06] strip and insert the gap between [10] the glass panel and [01]the wall post.



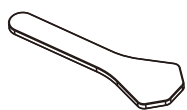
[03] x1



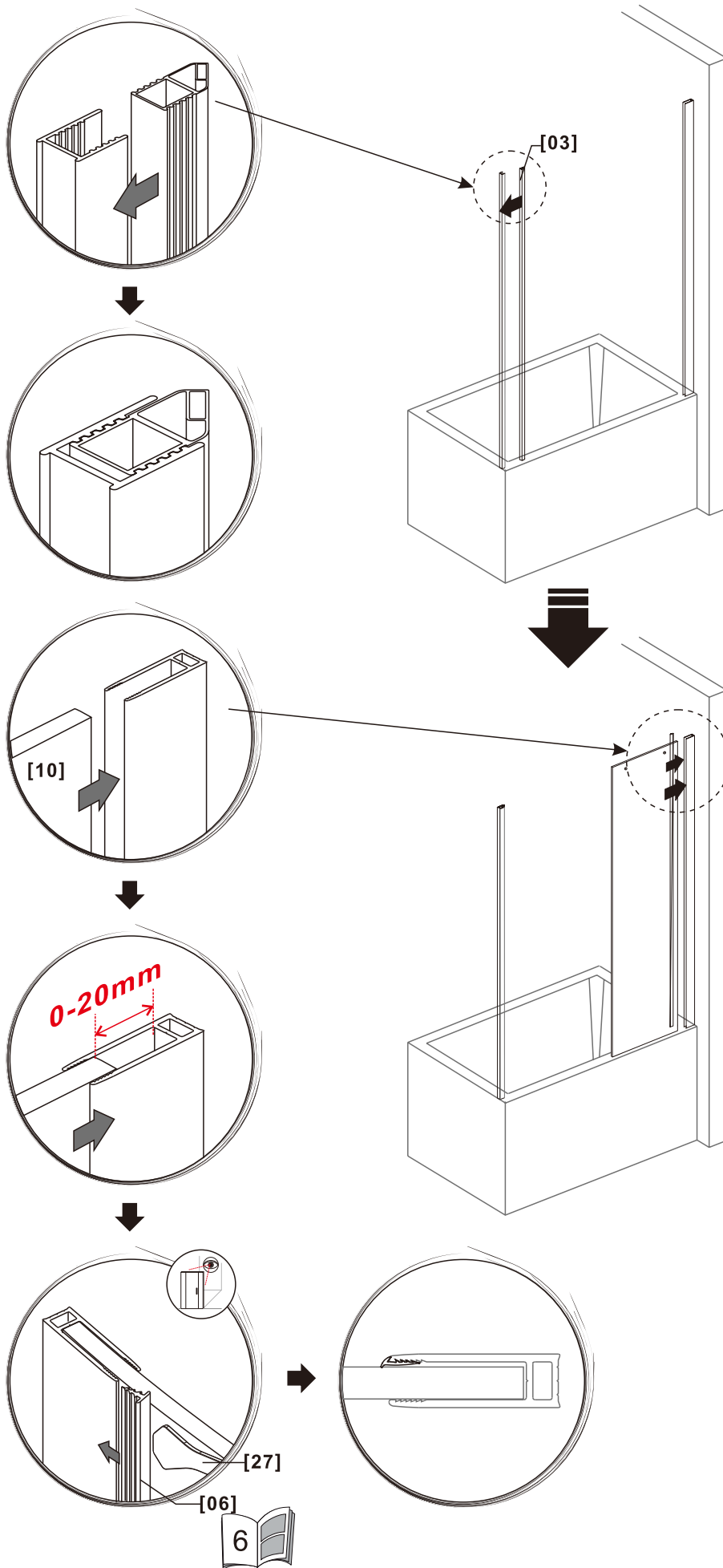
[06] x1



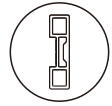
[10] x1



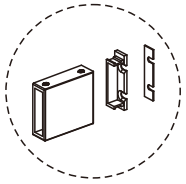
[27] x1



04



[07] x1



[13] x1



[15A] x2



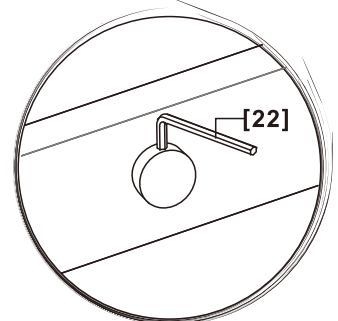
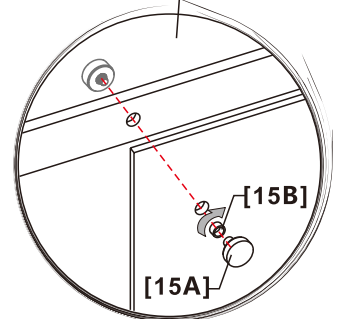
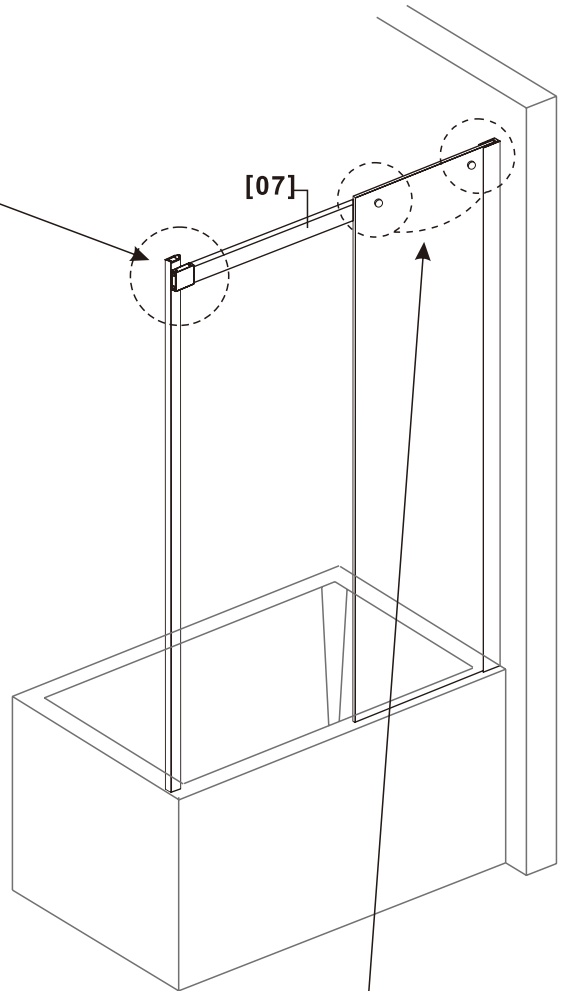
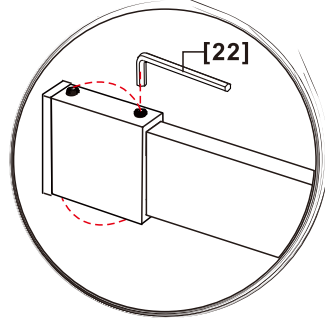
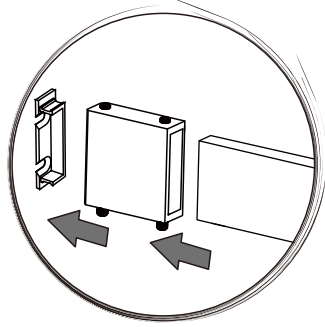
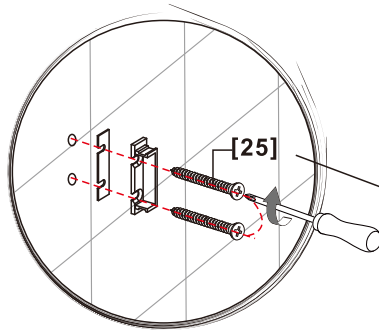
[15B] x2



[22] x1 (3mm)



[25] x2 (ST5x35)



1. Use [25]x2(ST5x35) screws to install [13]the wall bracket, connect it [07]to the top rail, then tighten it with a [22]x1(3mm) allen key.

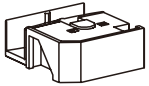
2. Hang [10] exterior fixed door panel onto [07]top rail from outside of shower and tighten [15A][15B] using [22]allen key.

05

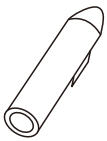
- 1、 Put [18B] bottom guide next to the [10] exterior fixed door panel, then mark the floor with pencil.
- 2、 Punch it with the a drill of 6mm.
- 3、 Drill the holes according to your marks and knock [23] wall plugs into the floor.
- 4、 Place [18B] the bottom guide on the floor, and fasten [18B] the bottom guide with [26] ST4x25 screw.
- 5、 Place a [17] back screw cap over the [26] ST4x25 screw.



[17] x1



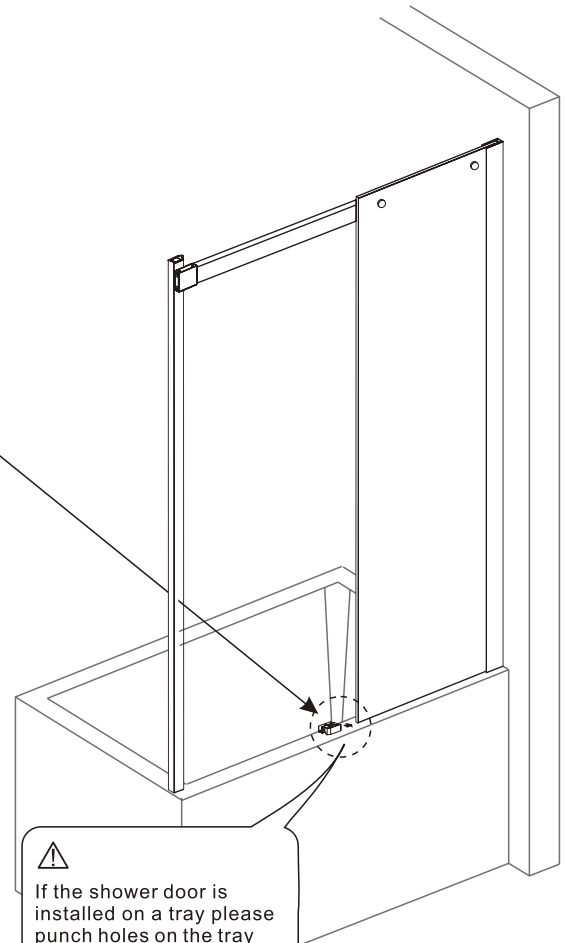
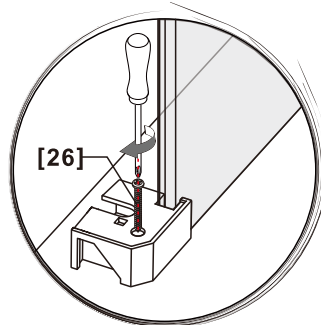
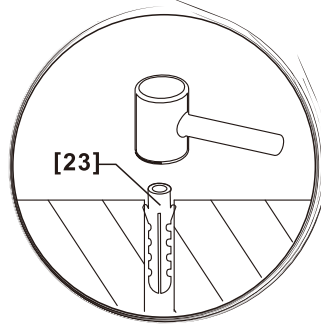
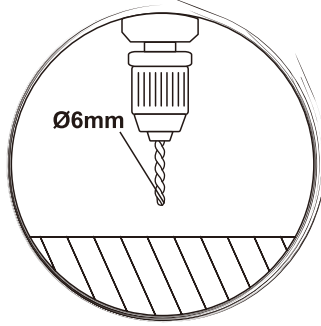
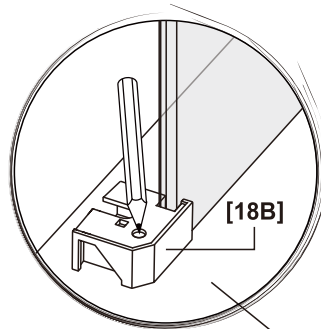
[18B] x1



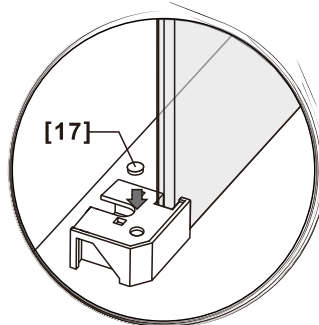
[23] x1



[26] x1 (ST4x25)

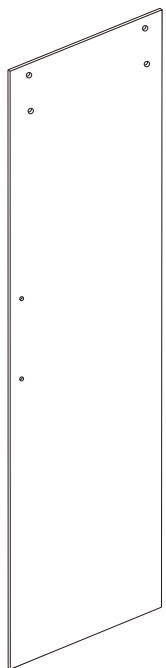


⚠
If the shower door is installed on a tray please punch holes on the tray with a $\phi 3.2\text{mm}$ drill, the wall plugs are NOT required;
If not, please punch holes on the floor with $\phi 6\text{mm}$ drill, the wall plugs are required.

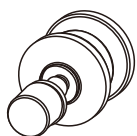


06

1. Hang [11] interior door panel onto [07] top rail from inside of shower and install [14]x2 rollers using [20]wrench.
2. Tighten [14]x2 using [22]allen key.



[11] x1



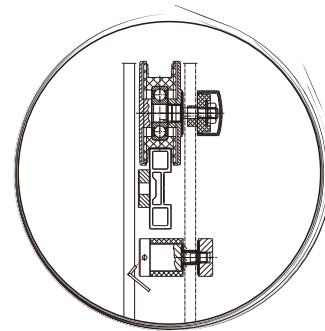
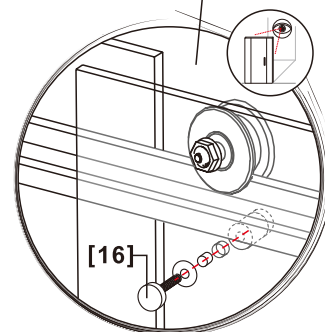
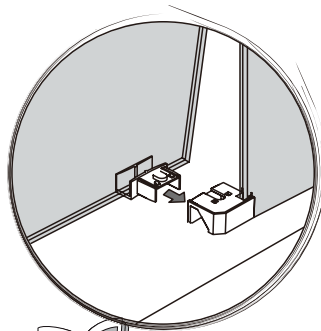
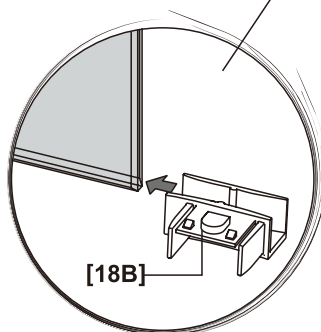
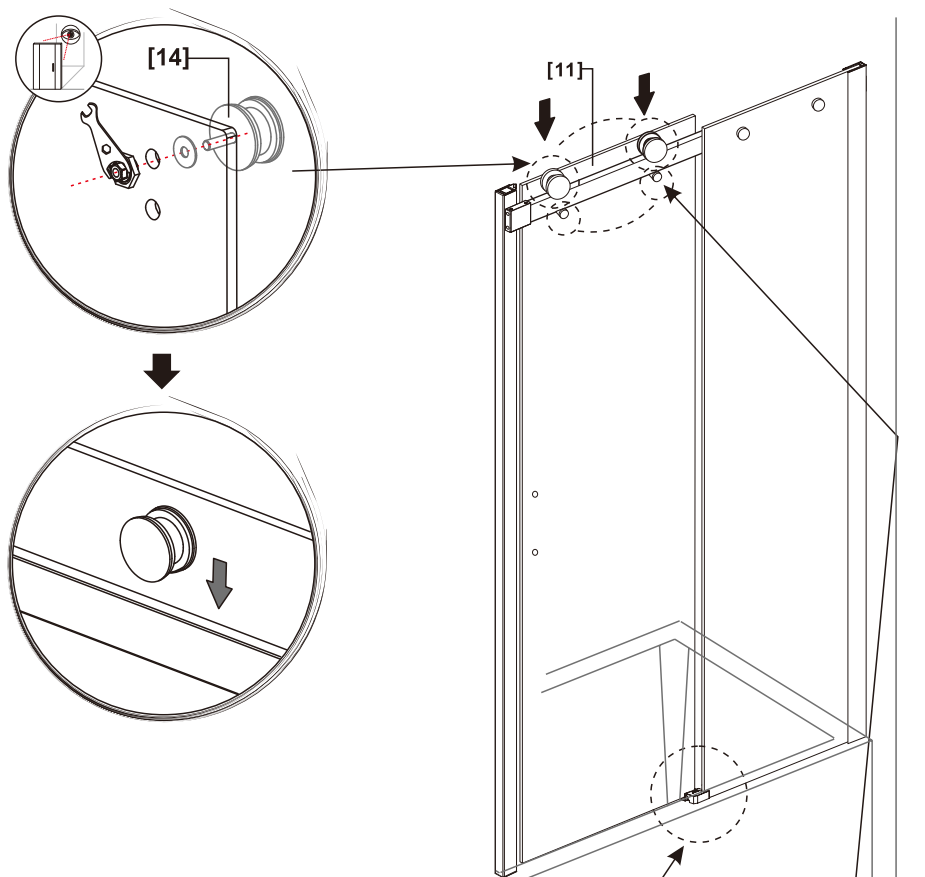
[14] x2



[16] x2



[21] x1 (2mm)



07

1. Cut [09] the bottom rail and [08] shower door bottom strip according to the position of [18B] bottom guide to the wall.
2. Push [08] shower door bottom strip insert [09] the bottom rail.
3. Hit glass glue to the bottom of [09] and place it in front of [11] the glass panel.
4. Hit glass glue to the bottom of [19B] wall bracket. Place it end of the [08] shower door bottom strip.



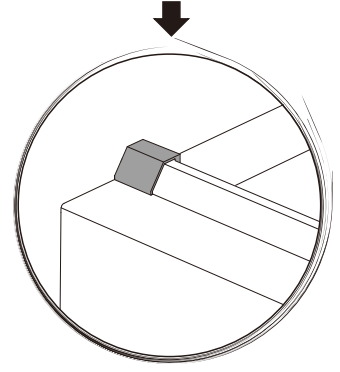
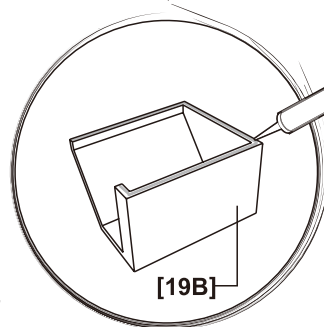
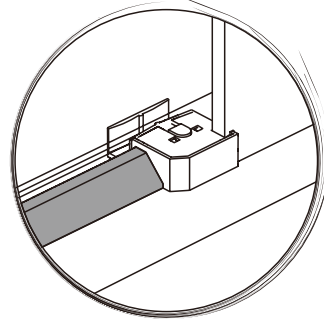
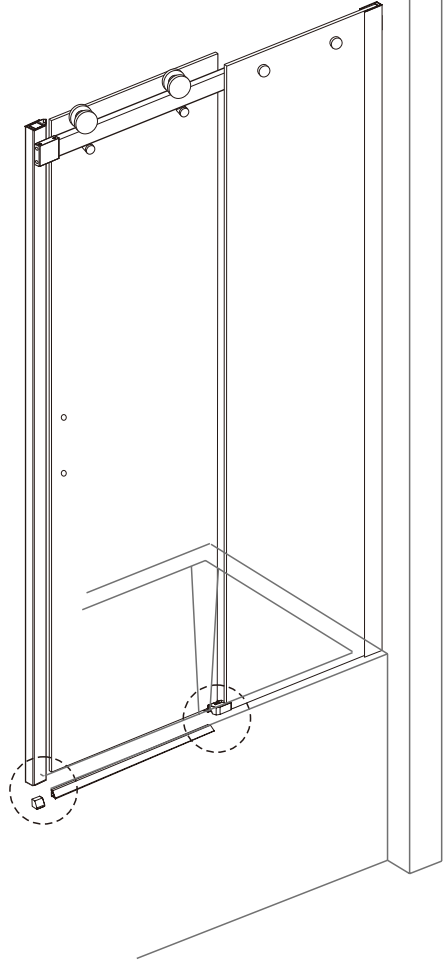
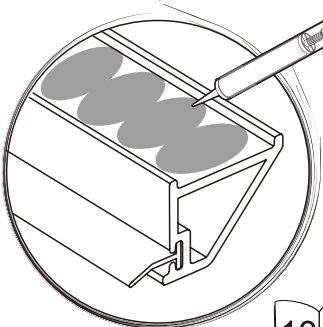
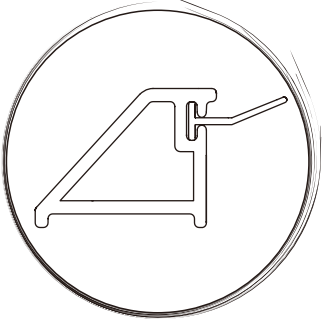
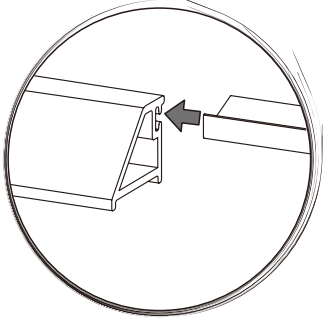
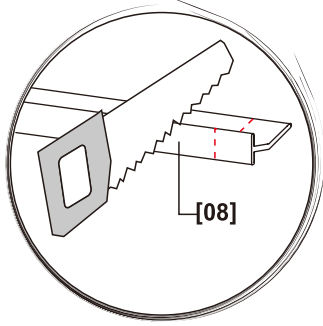
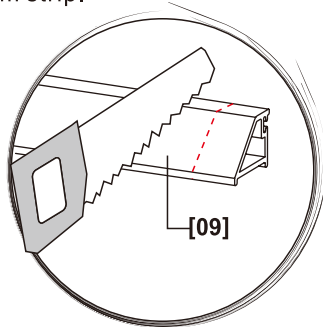
[08] x1



[09] x1



[19B] x1

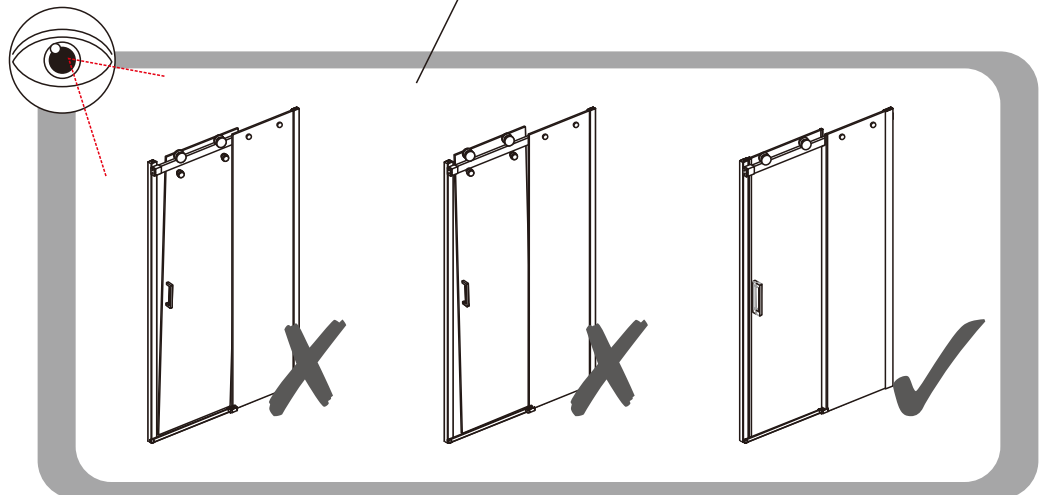
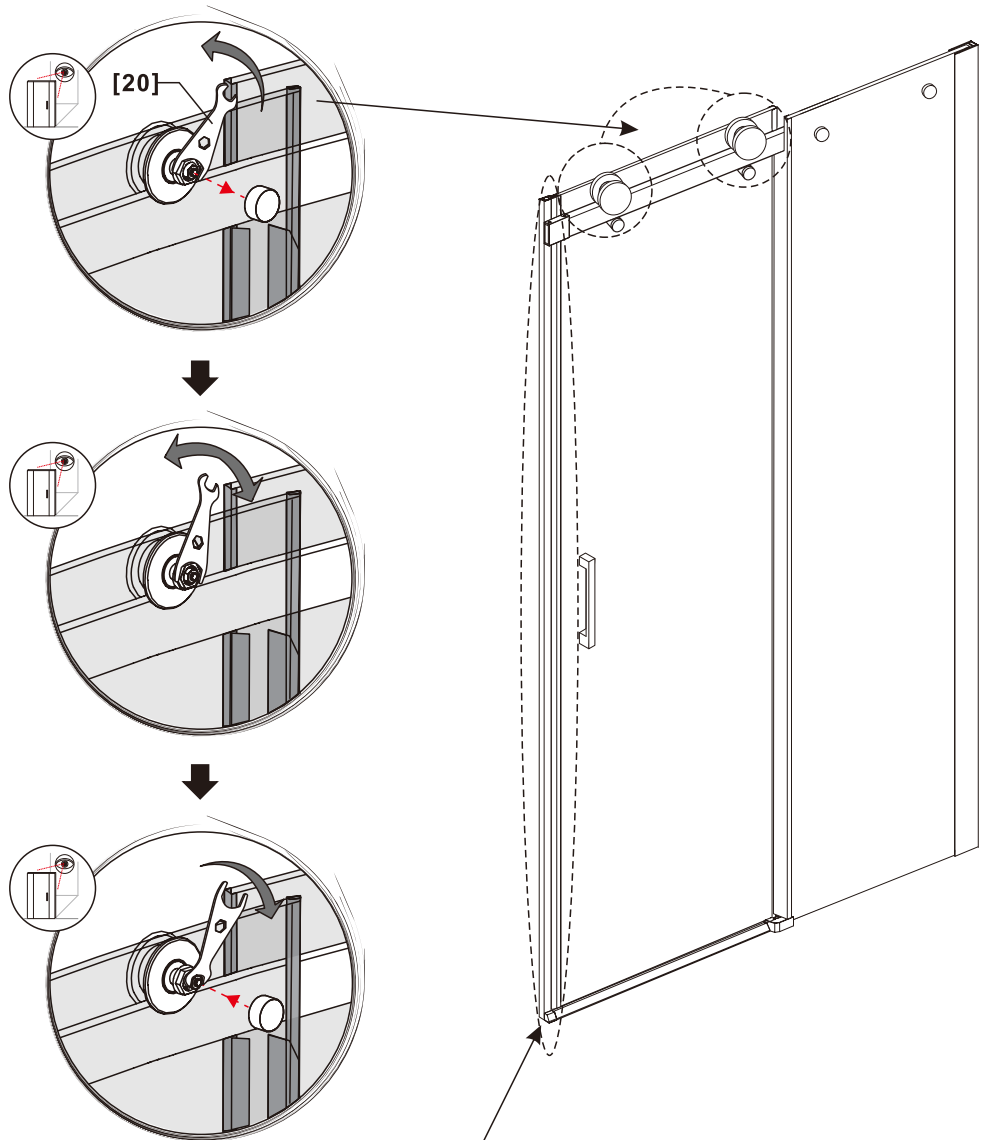


09



[20] x1

See if [10][11] door panels are perpendicular to the floor, if not, adjust the rollers with [20] wrench to make them perpendicular.



10

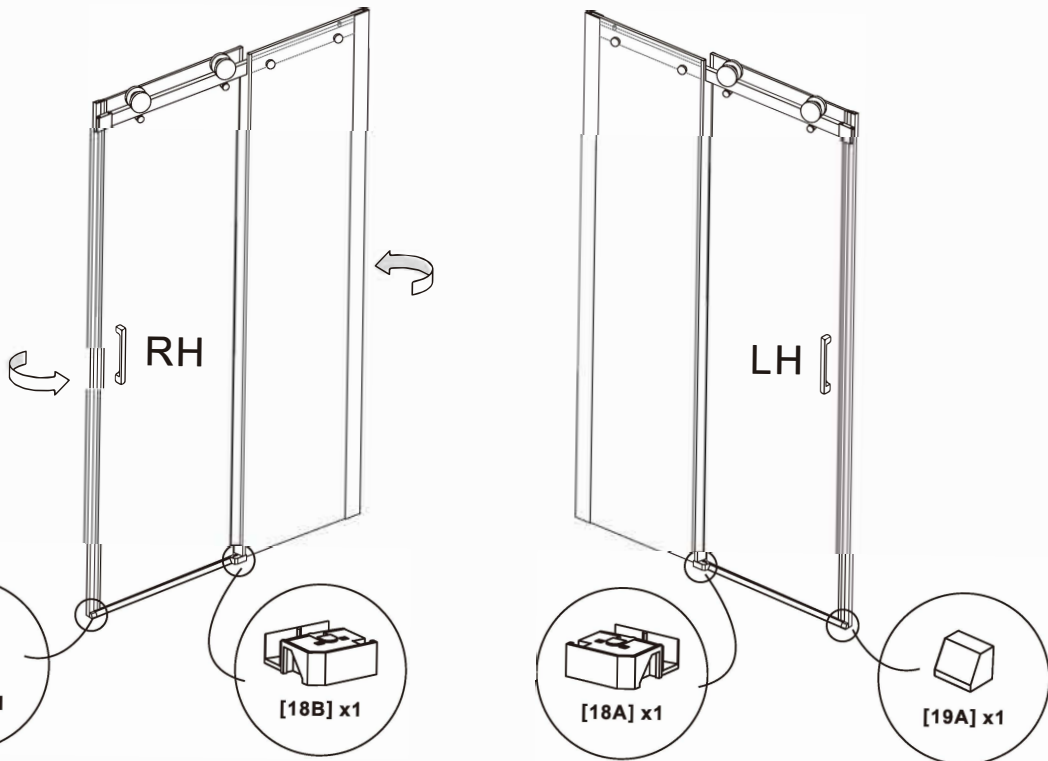
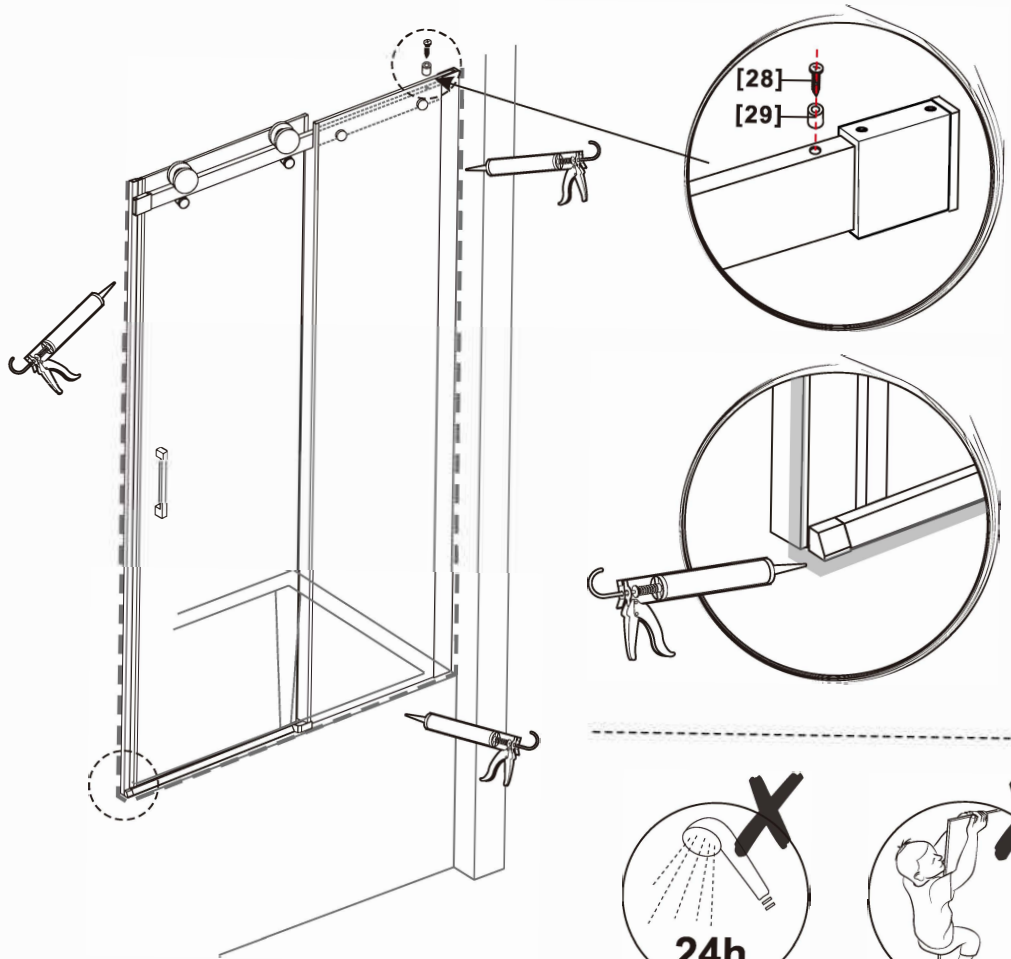
1. Install [29] using [28]x1(ST4x12)screw.
2. Attention:Apply the galss glue to the dottes part.Don't get wet or use it within 24 hours.



[28] x1 (ST4x12)



[29] x1



Select different parts based on the installation direction