
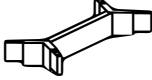

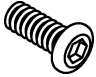




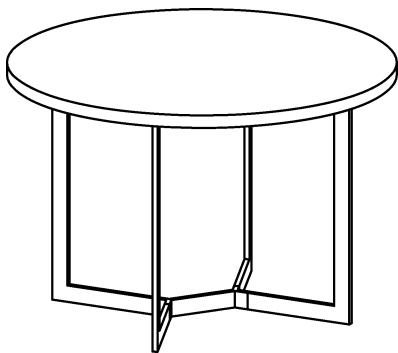


ASSEMBLY INSTRUCTION

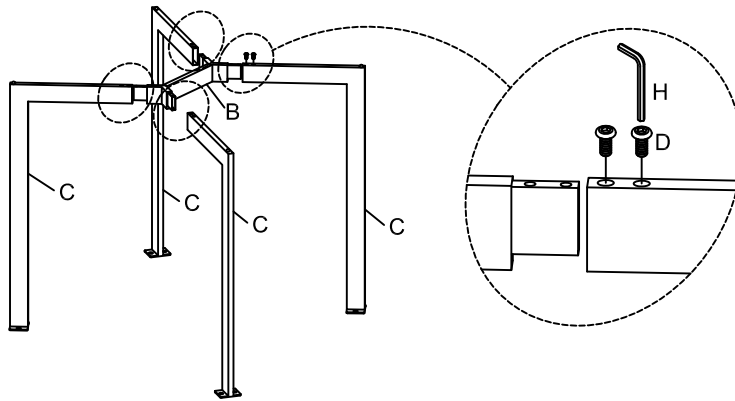
45" ROUND DINING TABLE

A Table Top  1 PC	B Connecting Rail  1 PC	C Leg  4 PCS
D Bolt 1/4" x 5/8"  8 PCS	E Long Bolt 1/4" x 1"  8 PCS	F Spring Washer 1/4"  8 PCS
G Flat Washer 1/4"  8 PCS	H Allen Key M4  1 PC	

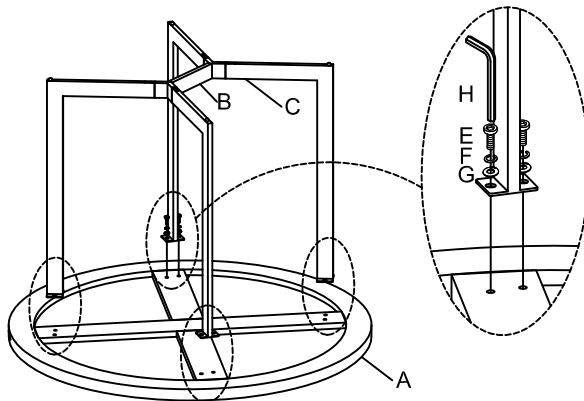


This page lists all the contents included in the box. Please take the time to identify the hardware as well as the individual components to this product. As you unpack and prepare for assembly, place the contents on a carpeted or padded area to protect them from damage.

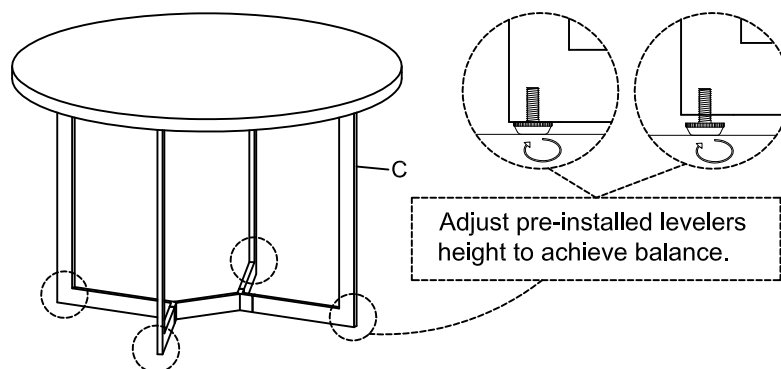
- 1** Attach Connecting Rail (B) and Leg (C) using Bolt (D) with Allen Key (H).
Note: Do not fully tighten the bolts at this step.



- 2** Attach the assembled metal base to the bottom of Table Top (A) using Long Bolt (E), Spring Washer (F) and Flat Washer (G) with Allen Key (H).
Note: Please make sure the holes of metal base and table top are aligned.



- 3** With assistance from your adult partners, turn the Table right way up. Adjust the pre-installed levelers on the bottom of Leg (C) until the Table is level with the ground.



Cleaning & Care

Treat surfaces with care. Surfaces are resistant to scratches but are not scratch resistant. Clean surfaces with a dry or damp soft cloth. Do not use abrasive cleaners. Hardware may loosen over time. Periodically check that all connections are tight.