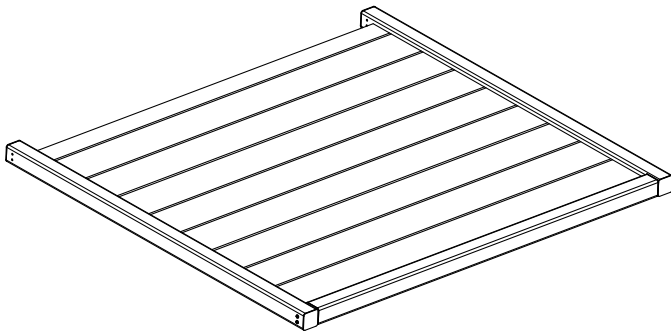


LINE DRAWINGS

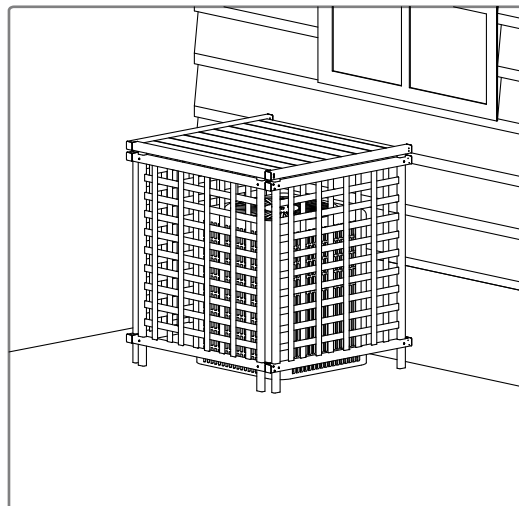
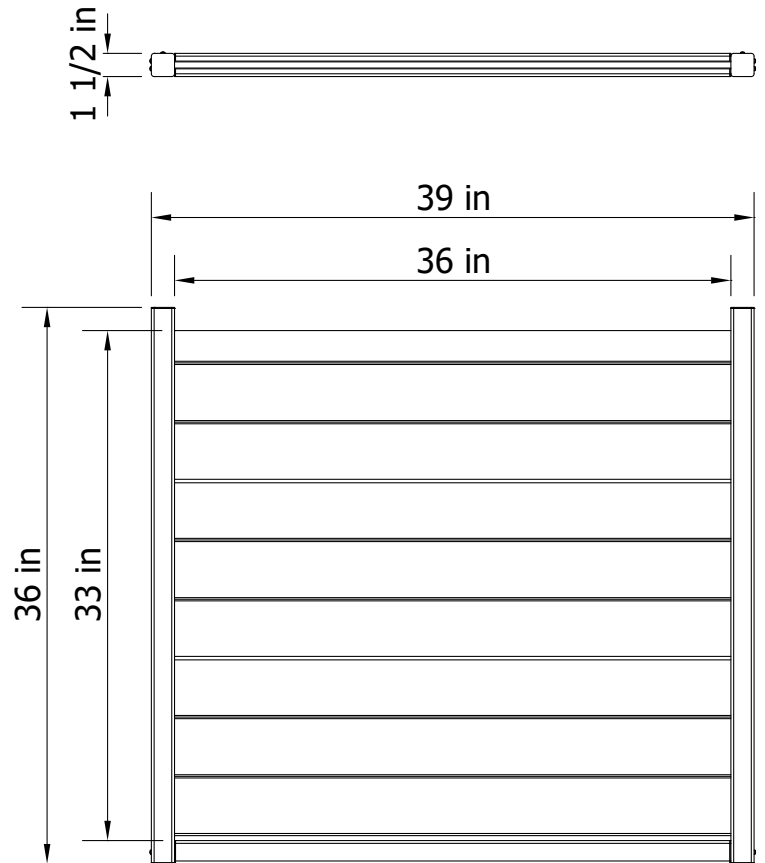


ZIPPITY
Easy Does It!

Optional Winter Cover Kit for Liberty Lattice AC Screen (36inW x 39inL)



This is a seasonal cover meant to protect your unit from the winter elements. It should NOT be used while the AC condenser is running.



**Liberty Lattice AC Screen
Kit is sold separately*