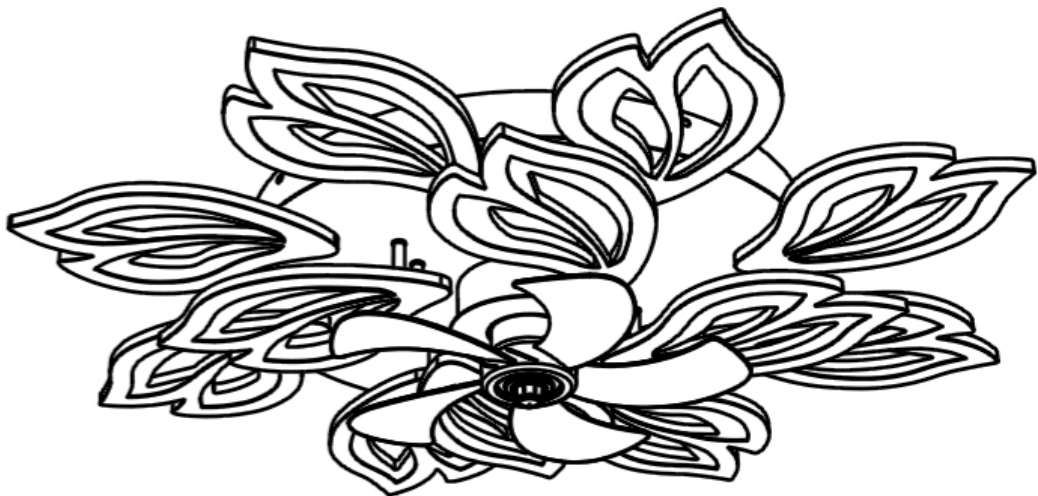
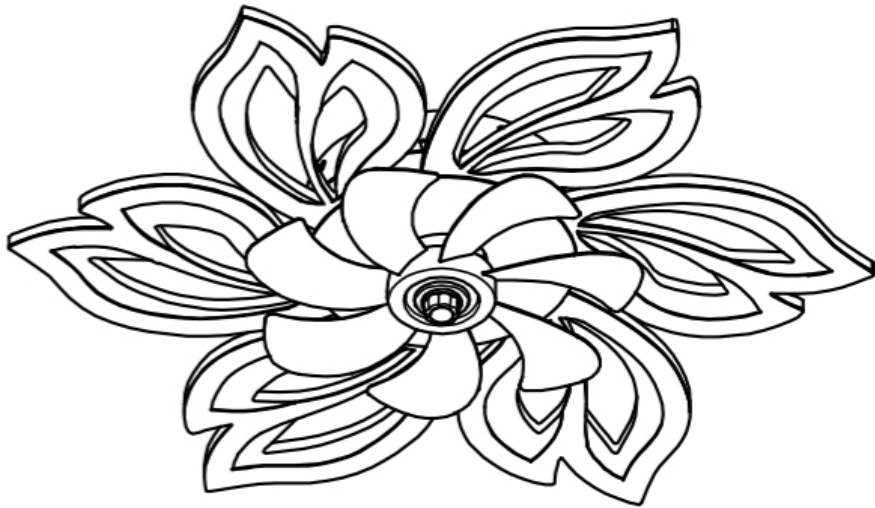


Product Manual

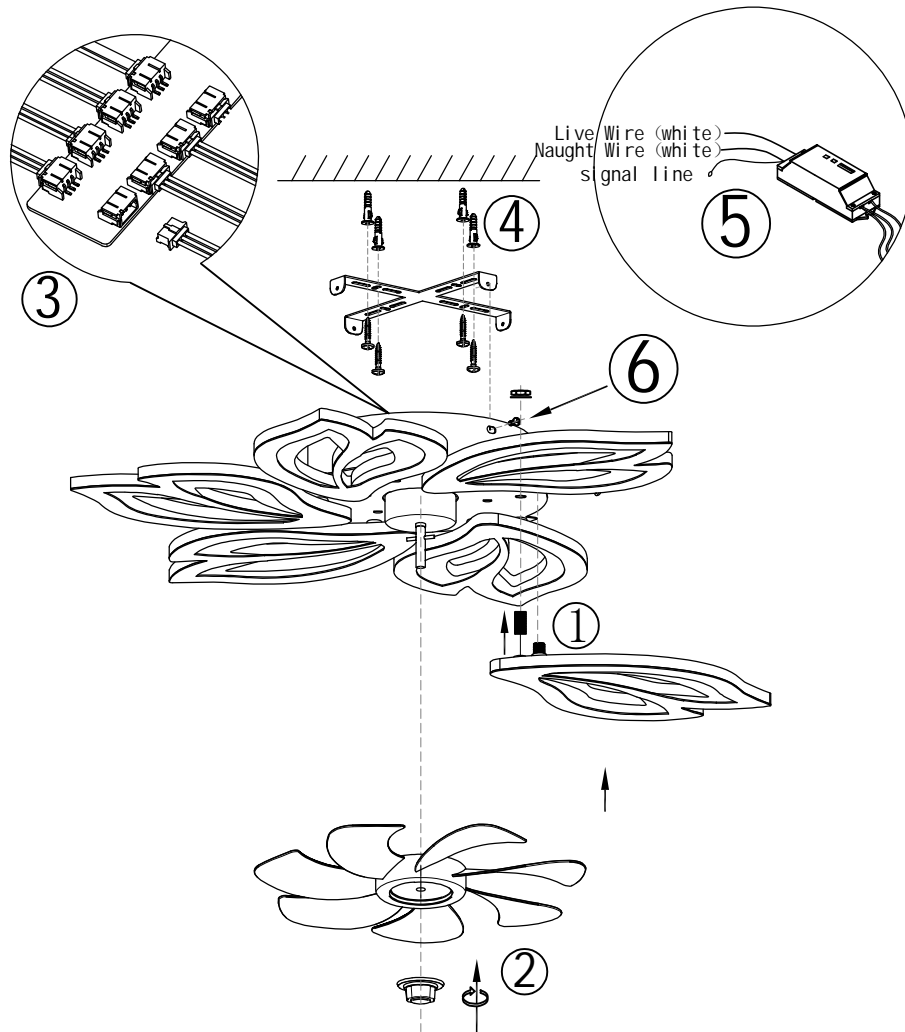


Installation manual

Productname/model:

Pay attention to electricity!
Do not operate with electricity

Installation Notes:



Installation steps

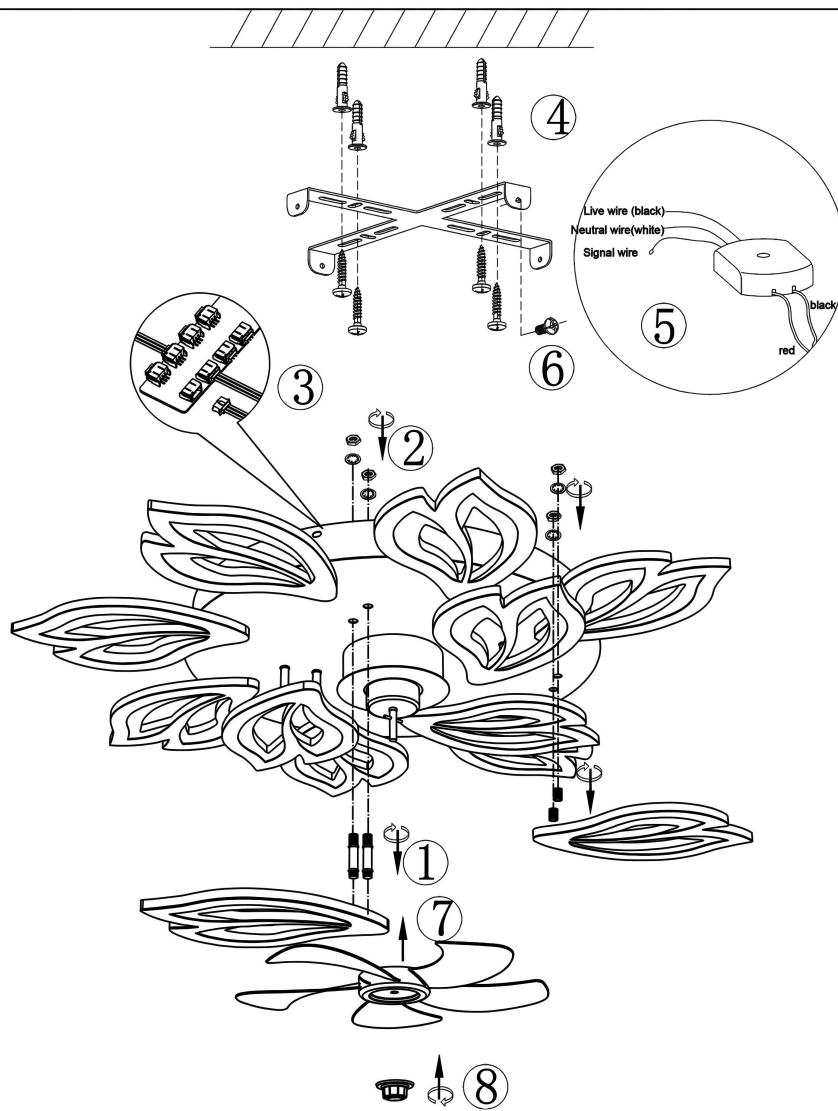
1. The lighting components are installed on the lamp body chassis using the built-in hardware.
2. Install the transparent fan blades and tighten the nut cover.
3. Insert the wiring terminals of the lighting component into the multi port terminal block.
4. Install the cross bracket onto the ceiling.
5. Turn off the main power, temporarily hang the lamp body on the bracket using a safety hook, connect the wires, turn on the power and check if it is working properly.
6. Tighten the screws to secure the lamp body to the bracket and complete the installation work.

Installation manual

Productname/model:

Pay attention to electricity!
Do not operate with electricity

Installation Notes:



Installation steps

1~2. The lighting components are installed on the lamp body chassis using the built-in hardware.

3. Insert the wiring terminals of the lighting component into the multi port terminal block.

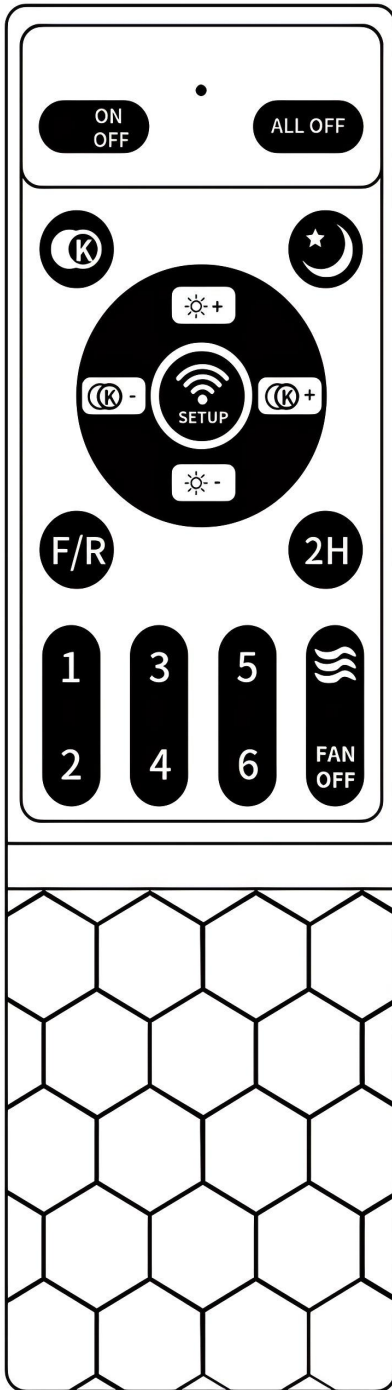
4. Install the cross bracket onto the ceiling.

5. Turn off the main power, temporarily hang the lamp body on the bracket using a safety hook, connect the wires, turn on the power and check if it is working properly.

6. Tighten the screws to secure the lamp body onto the bracket.

7~8. Install the transparent fan blades and tighten the nut cover to complete the installation work.

Remote Control Instructions



Description of code matching method

1. Turn on the wall power switch, long press the “SETUP” key for 5 seconds until hearing a “Di” sound. After hearing the sound twice, the match is done successfully.
2. If not matched, turn off the power for one minute and repeat the step mentioned above.
3. If the remote control is not working, change the battery and try again.



Turn on the light/Turn off the light



All off



Change color temperature



Night lamp



Increase brightness



Reduce brightness



Increase color temperature



Reduce color temperature



Forward rotation/ Reverse rotation



Timing function 2 hours



Fan speed selection, 1 for minimum, 6 for maximum.



Natural wind



Turn off the fan

