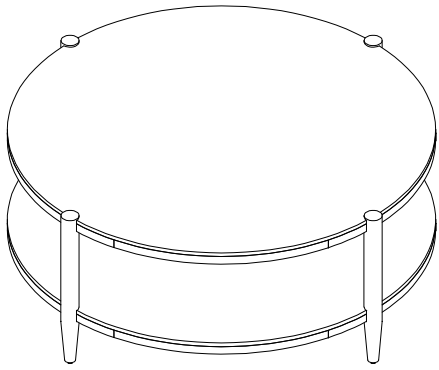
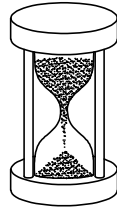


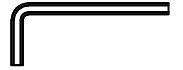
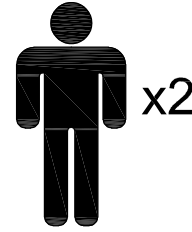
3458NAT-65 / 3458WAL-65 SINCLAIR ROUND COFFEE TABLE



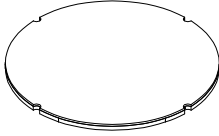






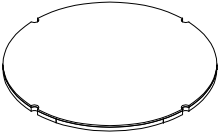
ASSEMBLY INSTRUCTIONS



15 MIN

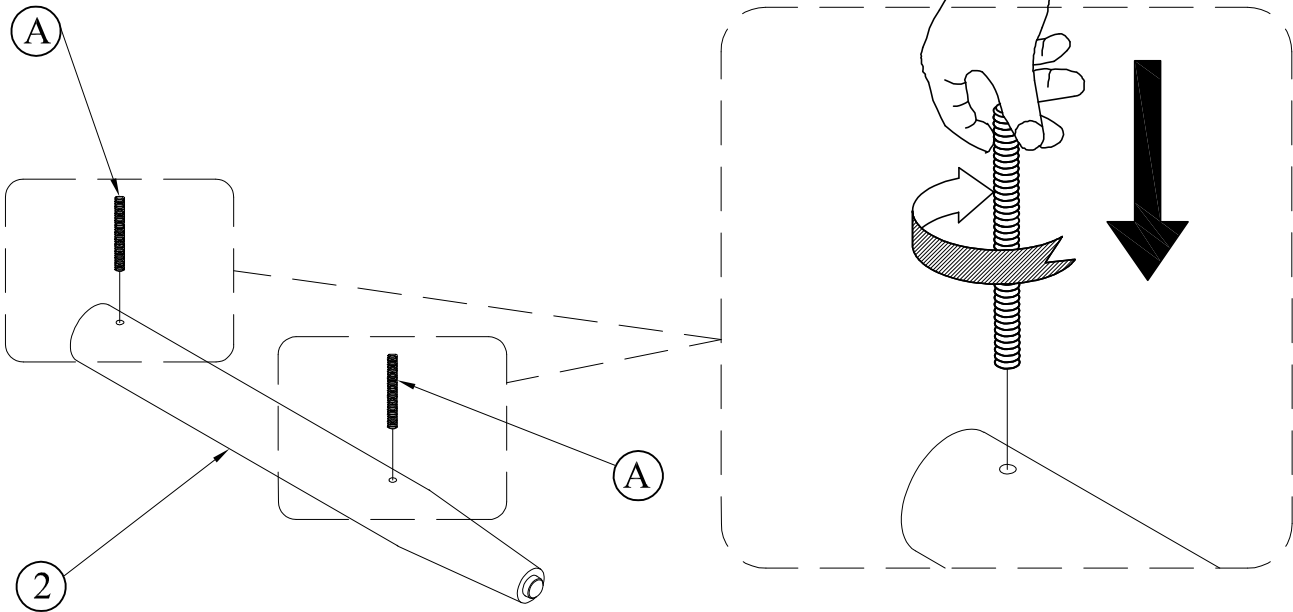


TOOLS REQUIRED
(Allen Key provided)

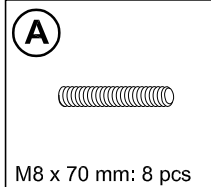
CARTON	ITEM	PART		HARDWARE	
1	3458NAT-65/ 3458WAL-65	①	TOP x 1 PC		(A) M8 x 70 mm: 8 pcs  (B) Ø8 x Ø13 x 1.2: 8 pcs  (C) Ø8 x Ø19 x 2: 8 pcs  (D) M8 x 13 mm: 8 pcs  (E) 13mm: 1 pc 
		②	LEGS x 4 PCS		
		③	SHELF x 1 PC		

STEP 1

Assemble two thread bolts (A) into each leg, one at the top and one at the bottom. Repeat this step in all 4 legs

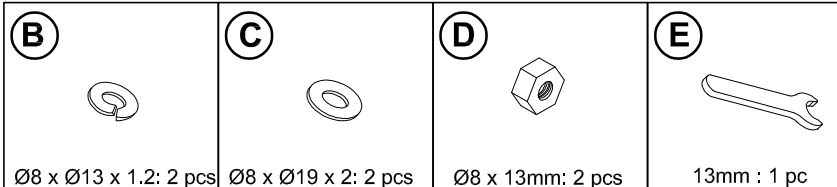
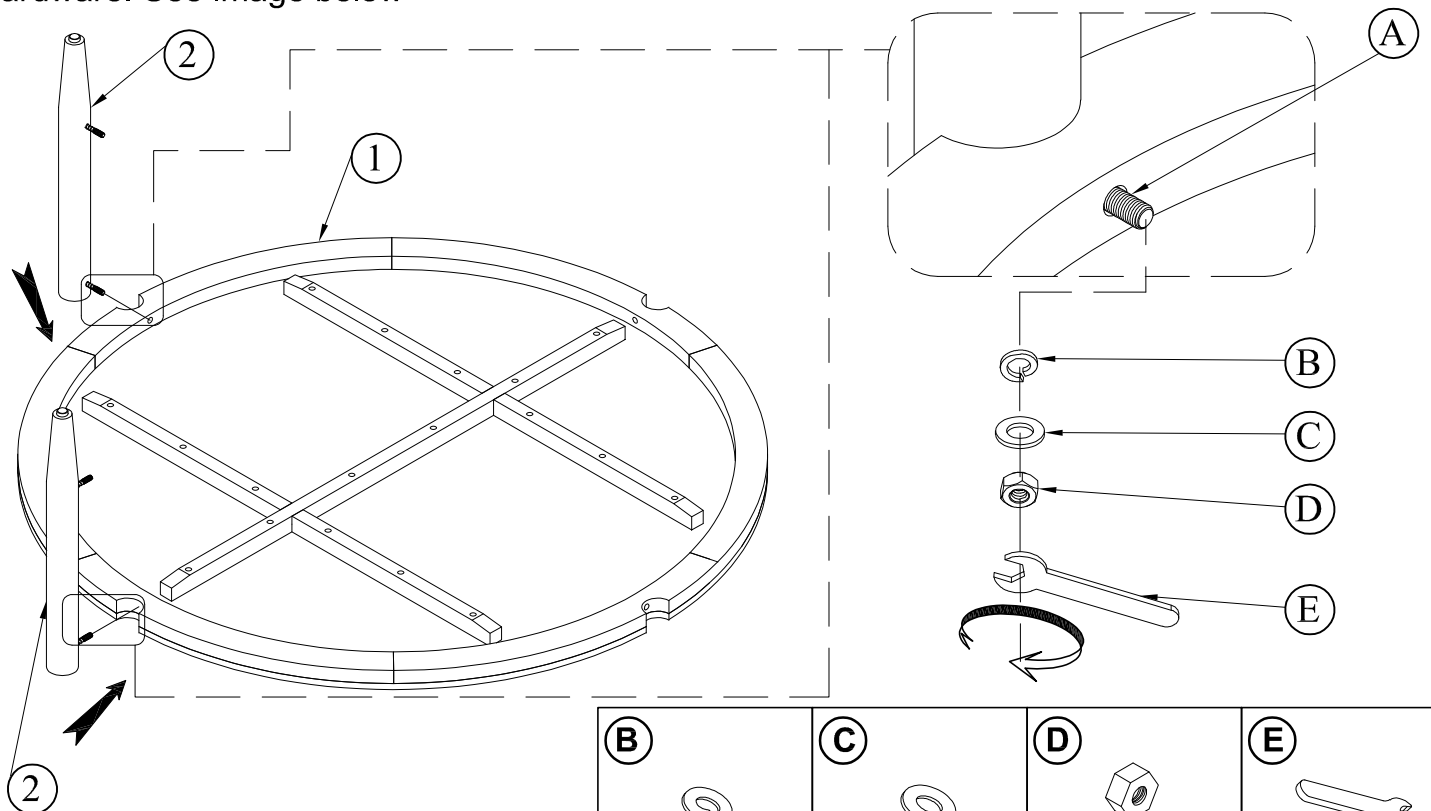


-x 4



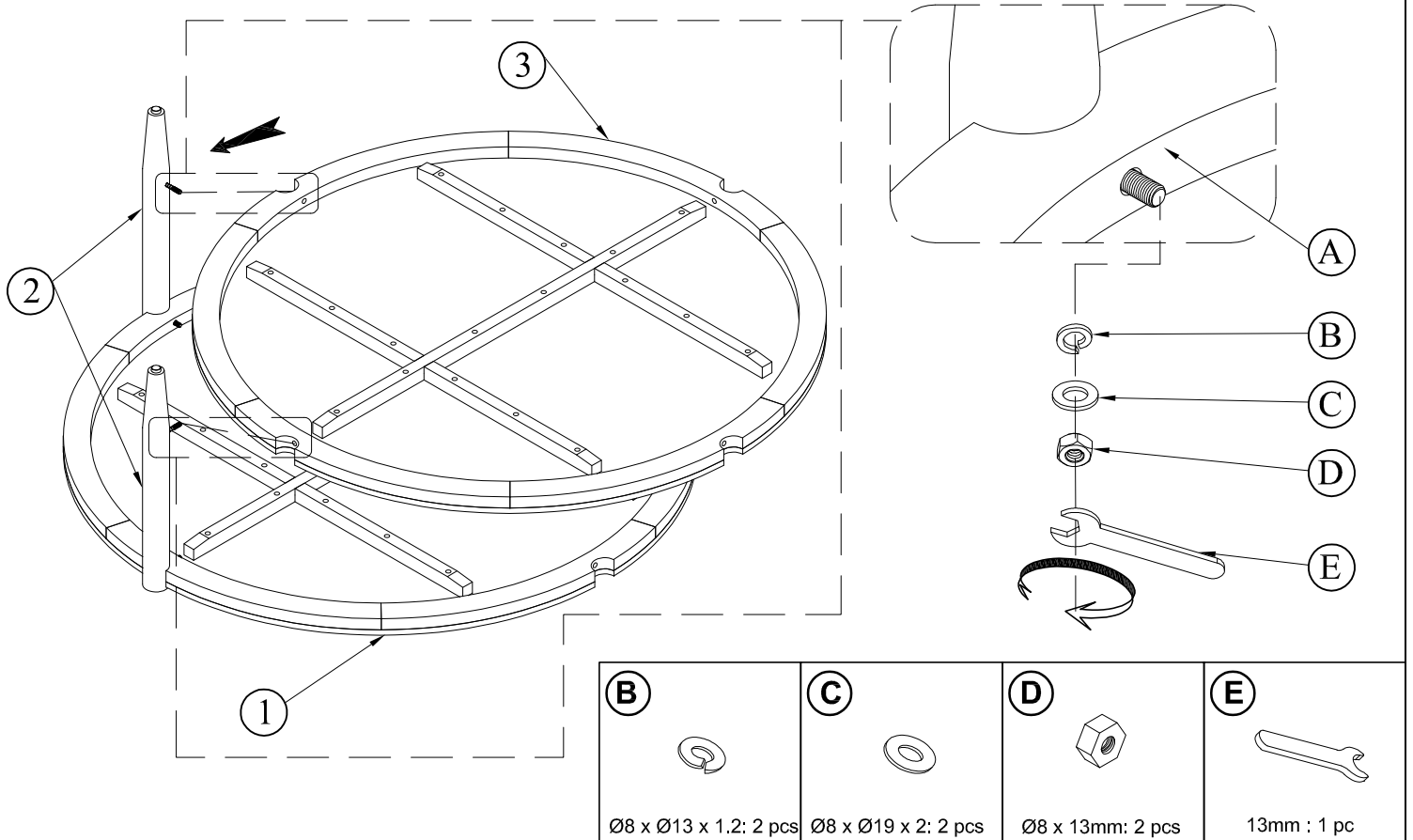
STEP 2

Get the first set of two legs and assemble into the table top (1) by connecting one of the thread bolt from the top part of the leg. Secure each leg to the table top using the corresponding hardware. See image below



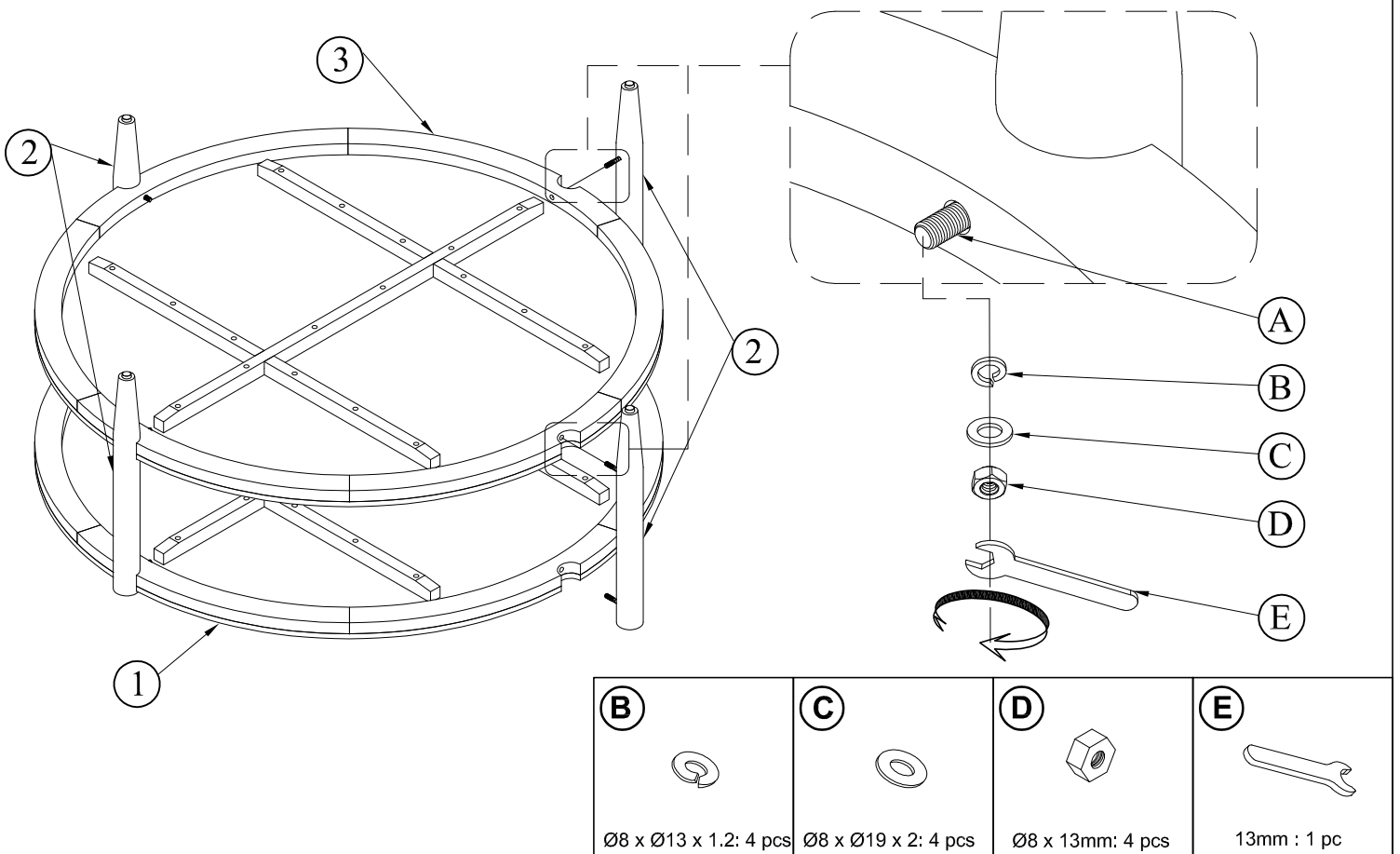
STEP 3

Connect the same legs with the shelf (3) by using the second thread bolt at the bottom of leg. Secure each leg to the table top using the corresponding hardware. See image below

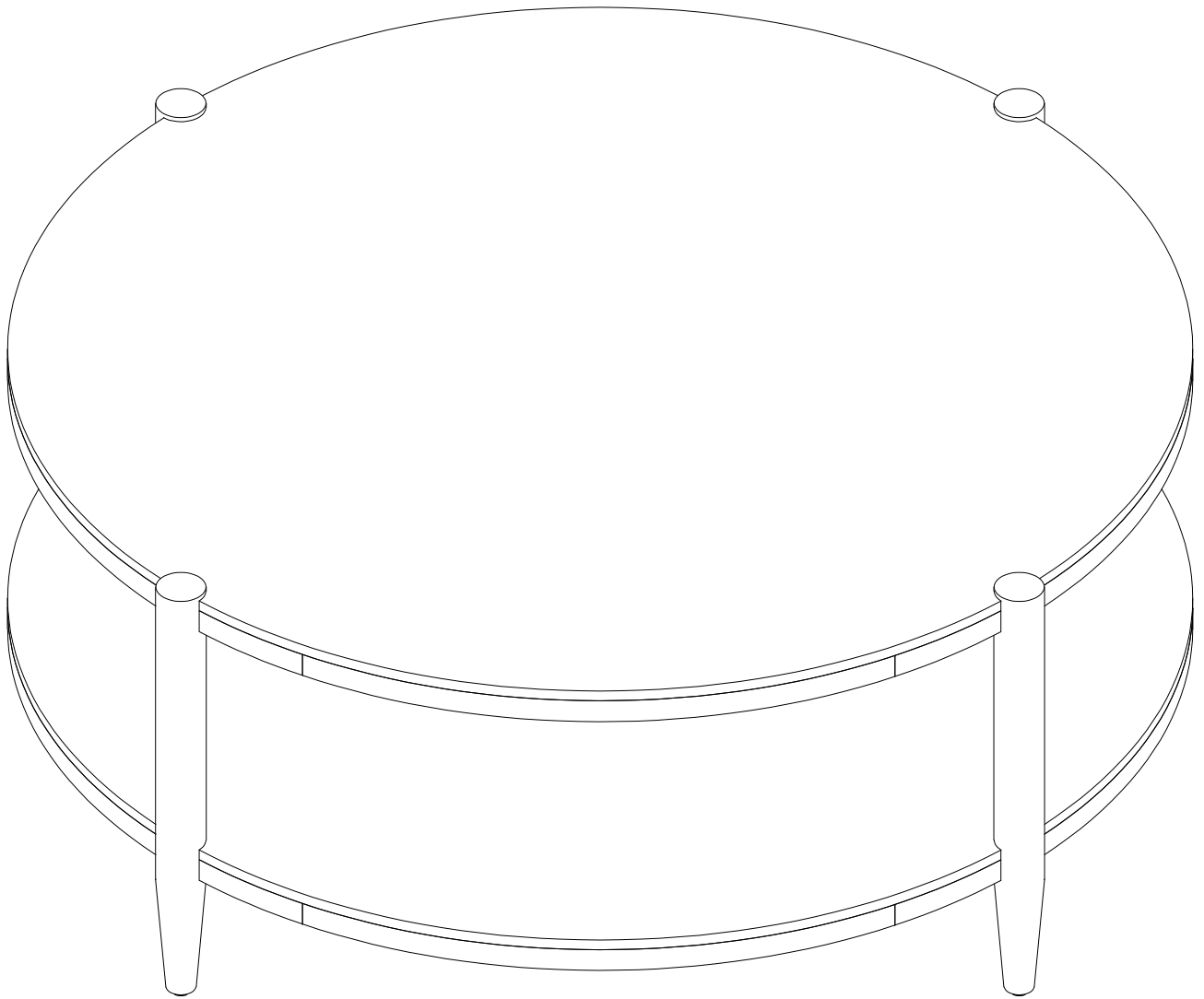


STEP 4

Assemble the remaining two legs to the table top and shelf by connecting the thread bolts and securing each leg with the corresponding hardware. (Same as two previous steps)



ASSEMBLY COMPLETED



"Carefully reposition the Coffee Table Upright with the help of Two or more adults"