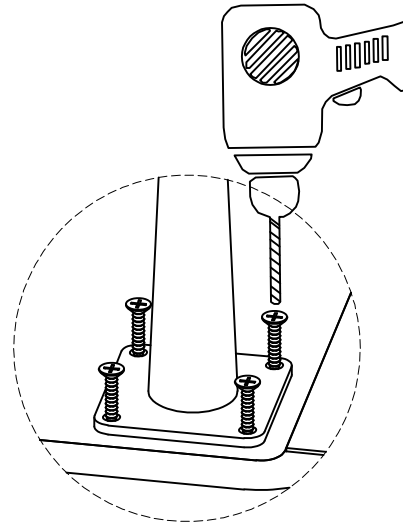
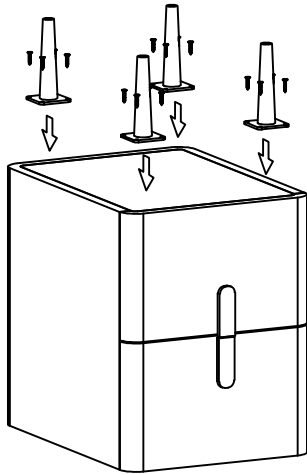
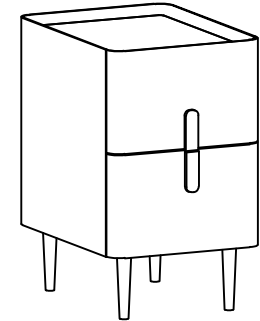


1. Put the nightstand upside down, put the cabinet legs in the right place on the bottom plate, put the self-tapping screws in the small holes of the cabinet legs steel pieces, and screw the self-tapping screws into the bottom plate with an electric drill. (The nightstand base plate without holes, needs to be marked with a marker to punch holes.)



Installation instruction

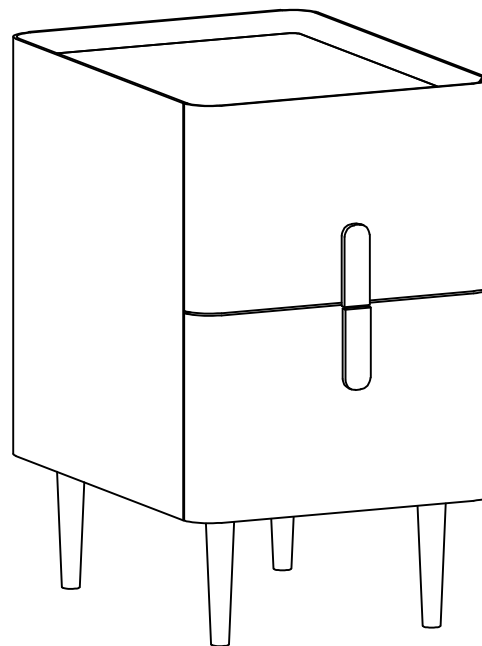


BS-15FCH Installation



The number of people needed for installation: 2

- ① Please read the manual carefully before installing this product. And strictly follow the installation process
- ② Please take good care of this manual for your next installation

2. The installation is complete



Parts list

Serial number	Shape	Name	Quantity
A		Self-tapping screw (M4*16)	16
B		Cabinet Legs	4