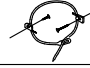


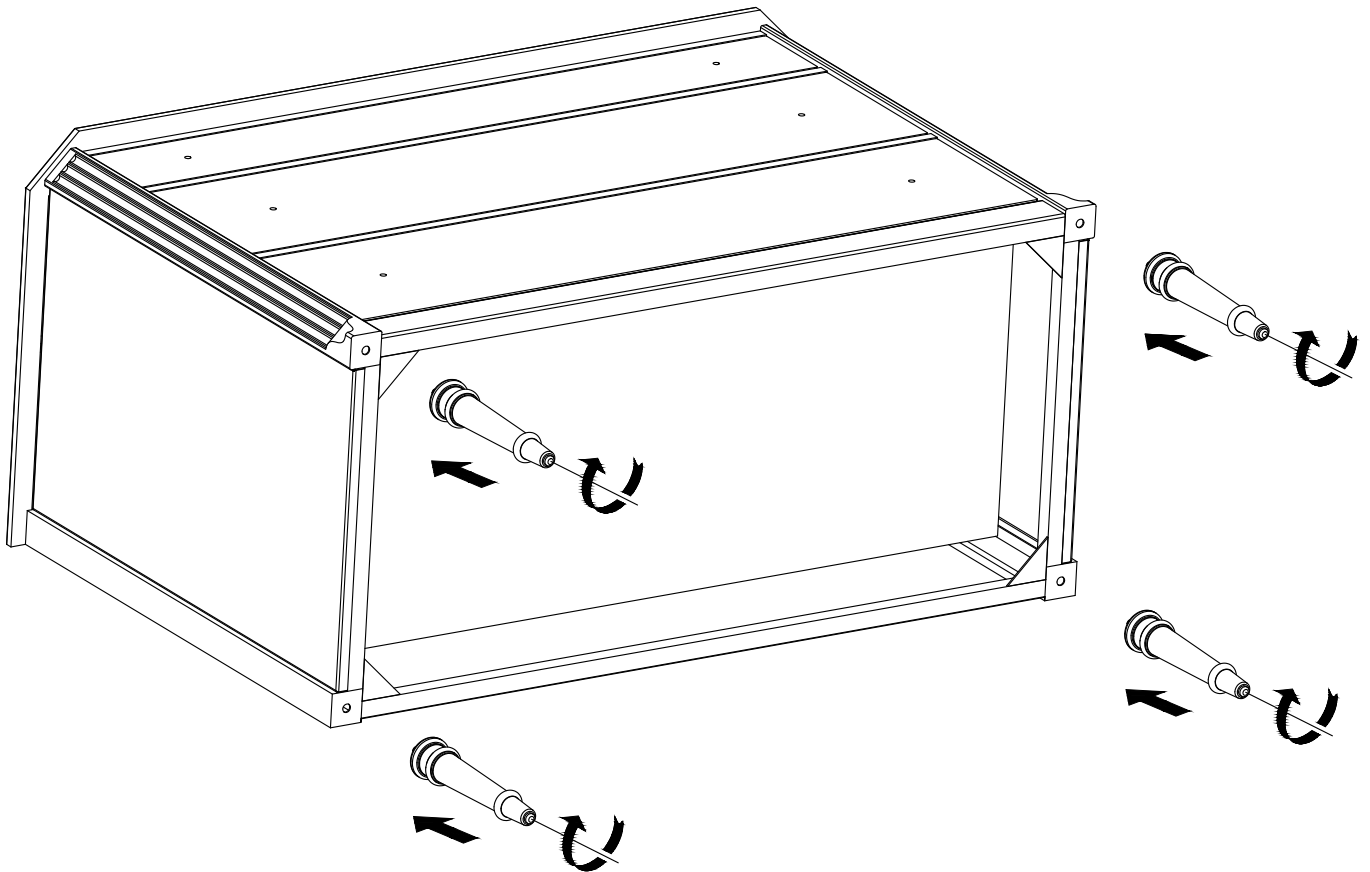
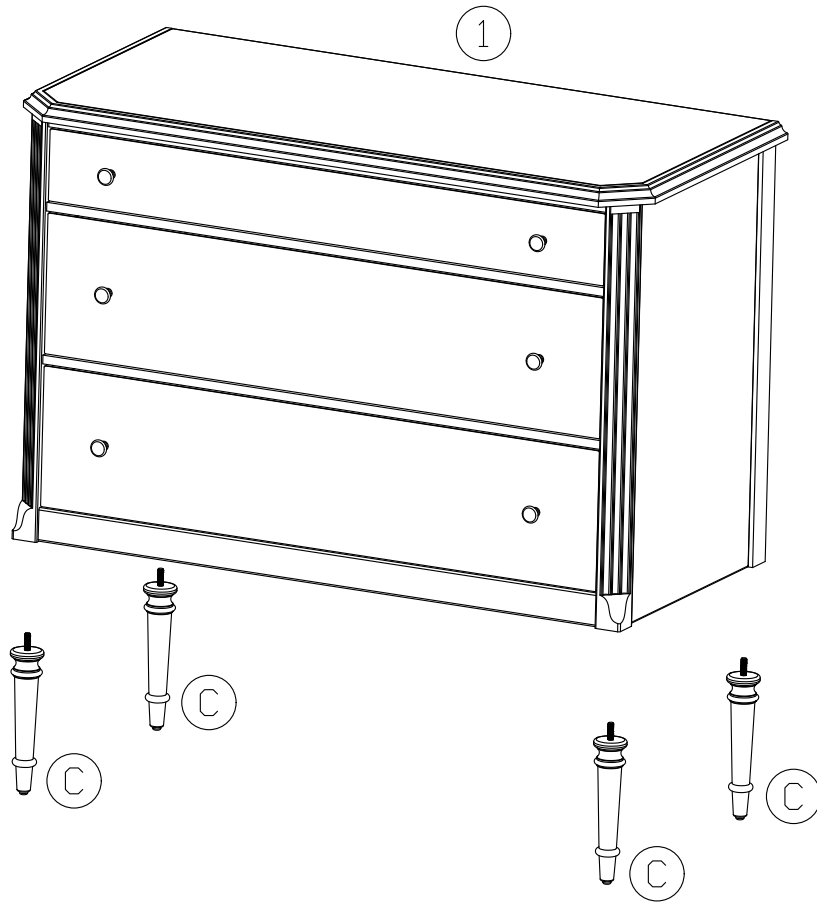


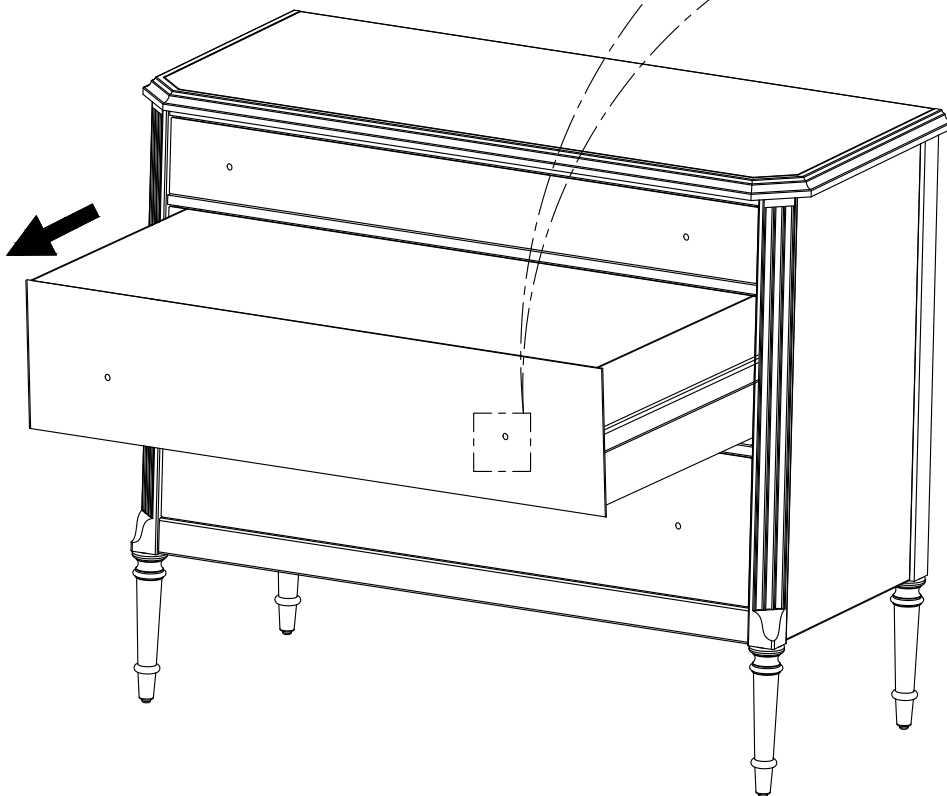
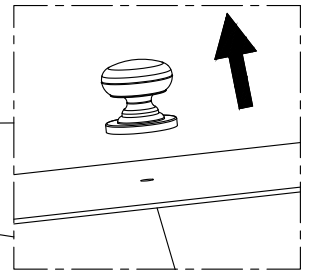
ASSEMBLY INSTRUCTION FOR 3 DRAWER DRESSER

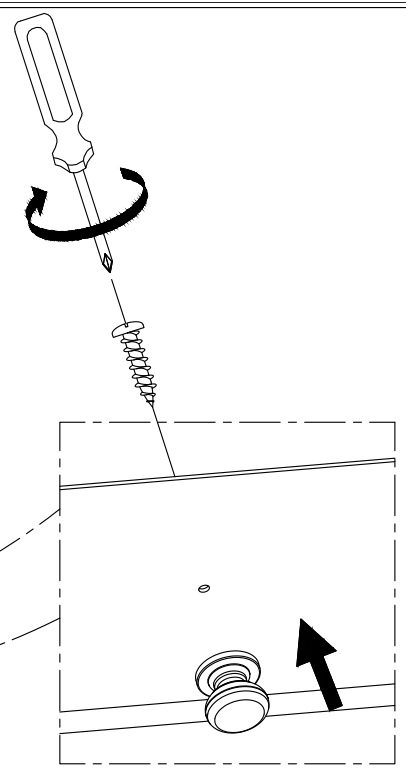
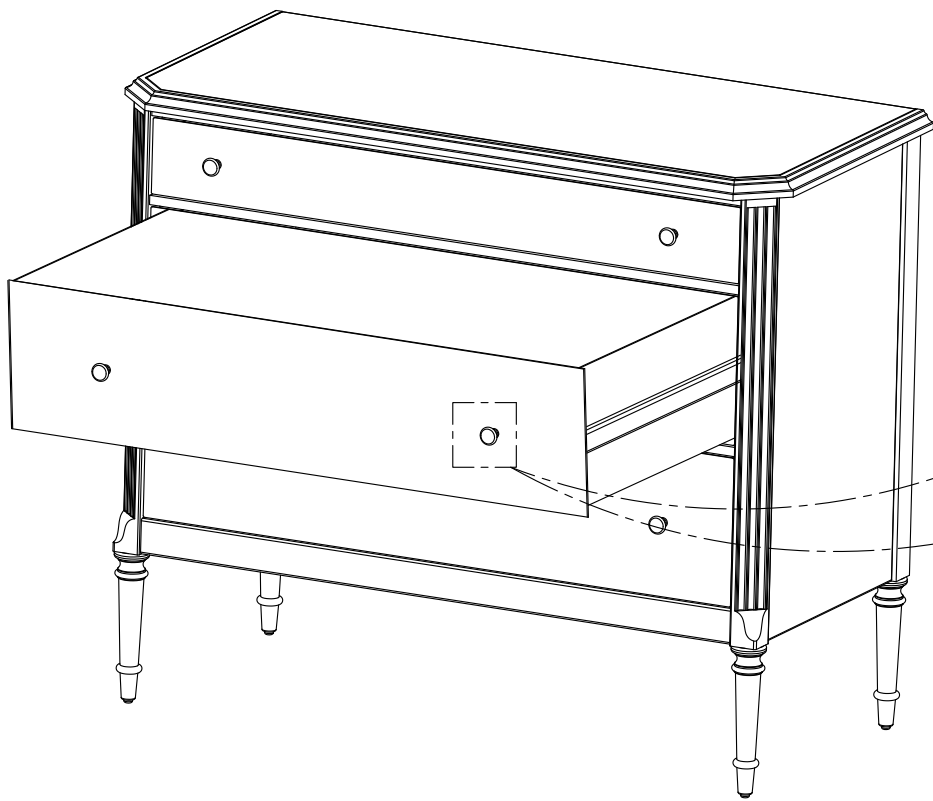
A		Tipping Hardware	1 SET
B		Screwdrivers (Not included)	1 PC
C		Legs	4 PCS



COMPONENTS







Tipping Hardware

