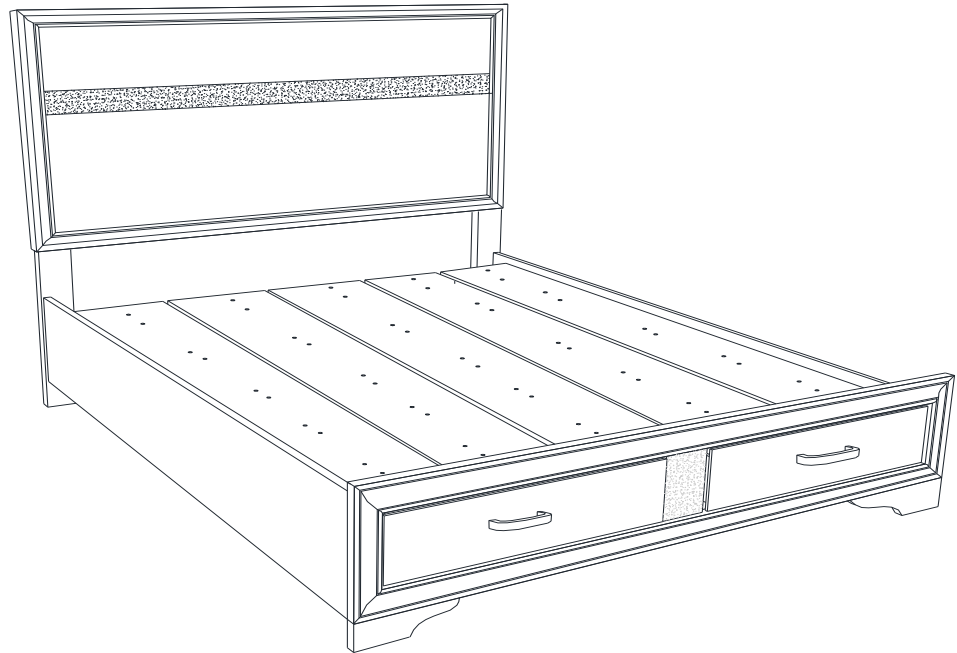


# ASSEMBLY INSTRUCTIONS



## ASSEMBLY INSTRUCTIONS

### ASSEMBLY TIPS:

1. Remove hardware from box and sort by size.
2. Please check to see that all hardware and parts are present prior to start of assembly.
3. Please follow attached instructions in the same sequence as numbered to assure fast & easy assembly.



### WARNING!

1. Don't attempt to repair or modify parts that are broken or defective. Please contact the store immediately.
2. This product is for home use only and not intended for commercial establishments.



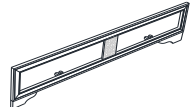
ASSEMBLY TIME

20 MINUTES

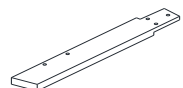
## PARTS IDENTIFICATION

### **B1 ( BOX 1)**


A HEADBOARD PANEL  1PC

B FOOTBOARD  1PC

C RIGHT HEADBOARD LEG  1PC


D LEFT HEADBOARD LEG  1PC

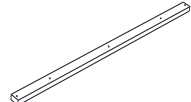
### **B2 ( BOX 2)**

E BED RAIL  2PCS

F CONCEAL PANEL  5PCS

G BED SLAT  5PCS

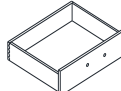
H BED SLAT SUPPORT WITH LEVELER  5PCS

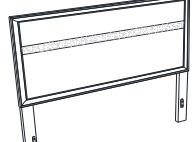
I DRAWER BOTTOM TRESTLE BAR  1PC

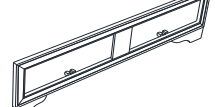
J DRAWER SUPPORT RAIL  2PCS

K DRAWER SUPPORT LEG WITH LEVELER  1PC

### **B3 ( BOX 3)**

L DRAWER BOX  2PCS

HB 205111Q(B1) FROM BOX 1 HEADBOARD COMPLETE  1PC

B 205111Q(B1) FROM BOX 1 FOOTBOARD  1PC

# ASSEMBLY INSTRUCTIONS

## ASSEMBLY TIPS:

1. Remove hardware from box and sort by size.
2. Please check to see that all hardware and parts are present prior to start of assembly.
3. Please follow attached instructions in the same sequence as numbered to assure fast & easy assembly.







## WARNING!









1. Don't attempt to repair or modify parts that are broken or defective. Please contact the store immediately.
2. This product is for home use only and not intended for commercial establishments.

## HARDWARE IDENTIFICATION

### Z-B1 (BOX 1) - HARDWARE PACK IS LOCATED IN 205111Q (B1)

1	<b>BOLT</b> (M6 x 30mm - BLK)		6PCS	3	<b>FLAT WASHER</b> (1/4"ID x 13mm - BLK)		6PCS
2	<b>LOCK WASHER</b> (1/4" - BLK)		6PCS	4	<b>ALLEN WRENCH</b> (M4 x 60mm - BLK)		1PC

### Z-B2 (BOX 2) - HARDWARE PACK IS LOCATED IN 205111Q (B2)

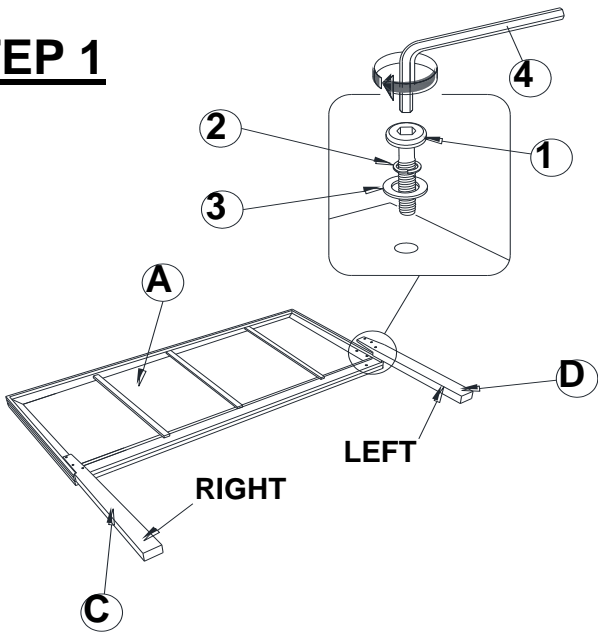
5	<b>FLAT HEAD SCREW</b> (M4 x 32mm - RBW)		14PCS	9	<b>LOCK WASHER</b> (1/4" - BLK)		2PCS
6	<b>PAN HEAD SCREW</b> (M3.5 x 20mm - BLK)		25PCS	10	<b>FLAT WASHER</b> (1/4"ID x 13mm - BLK)		2PCS
7	<b>SHORT BOLT</b> (M6 x 35mm - BLK)		2PCS	11	<b>SMALL ALLEN WRENCH</b> (M4 x 60mm - BLK)		1PC
8	<b>LONG BOLT</b> (M6 x 50mm - BLK)		6PCS	12	<b>BIG ALLEN WRENCH</b> (M5 x 68mm - BLK)		1PC

## NOTE:

Phillips head screw driver is required in the assembly process; however, manufacturer does not provide this item.

# ASSEMBLY INSTRUCTIONS

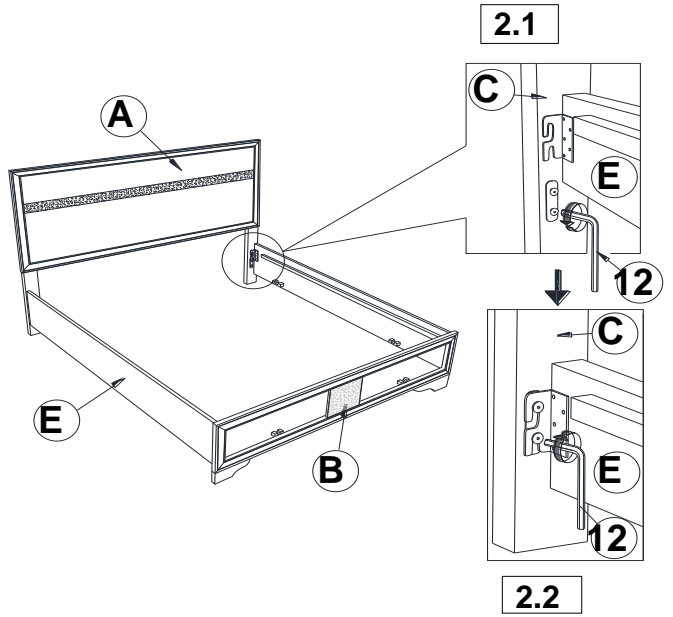
## STEP 1



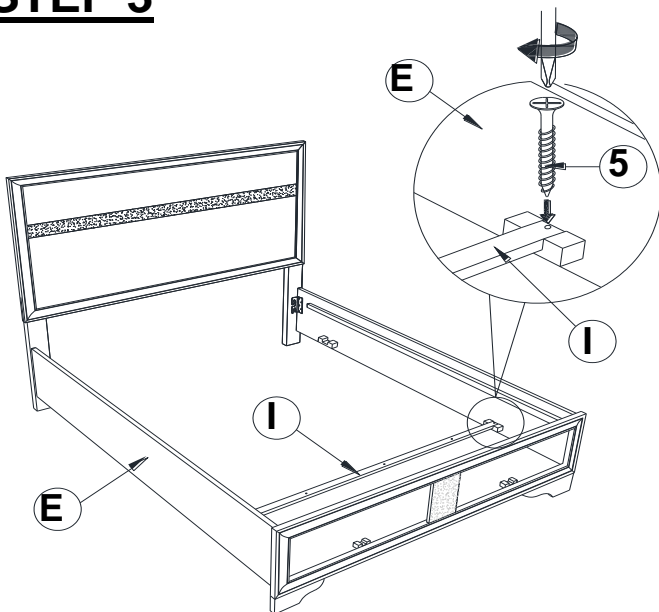
**\*\*BACK VIEW\*\***

Note : Please take note of the marking sticker (L&R) on the leg.

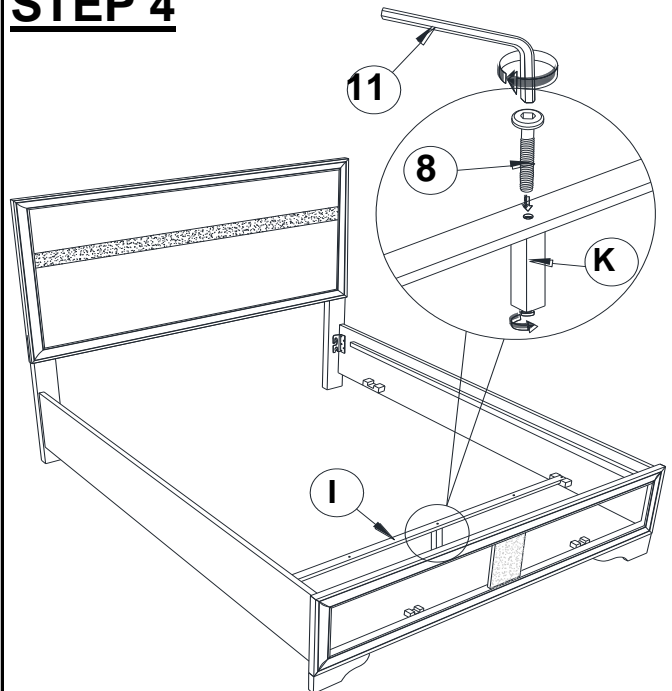
## STEP 2



## STEP 3

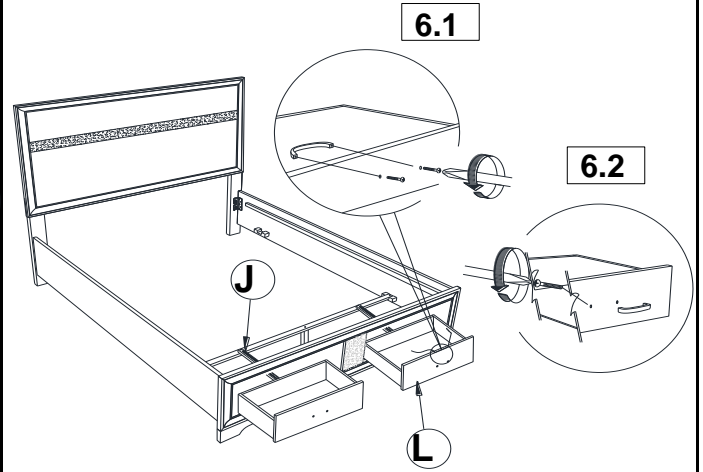
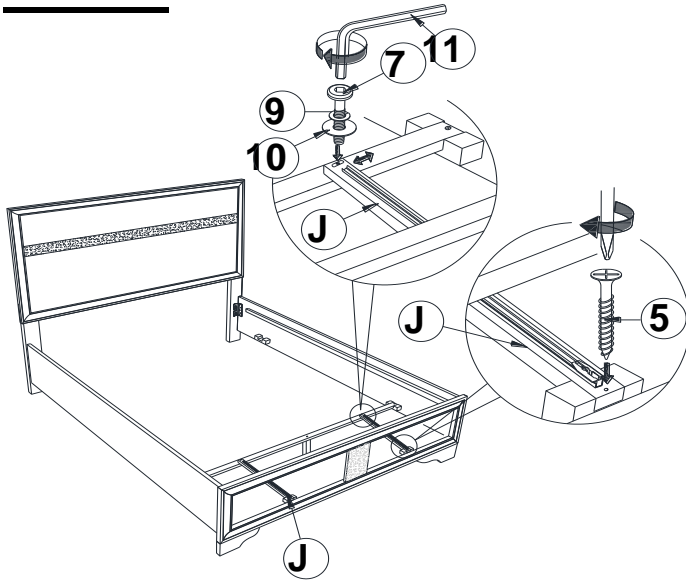


## STEP 4

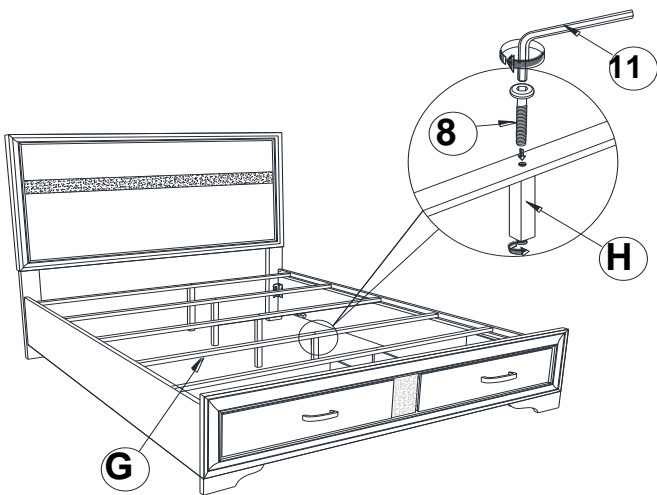


# ASSEMBLY INSTRUCTION

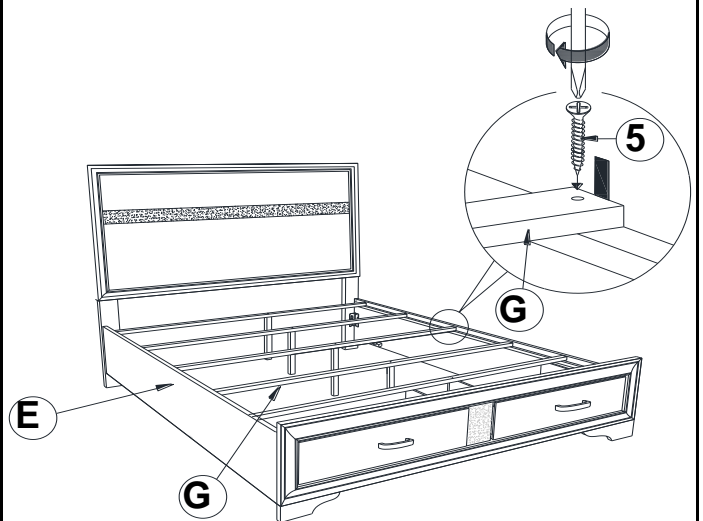
## STEP 6



## STEP 7

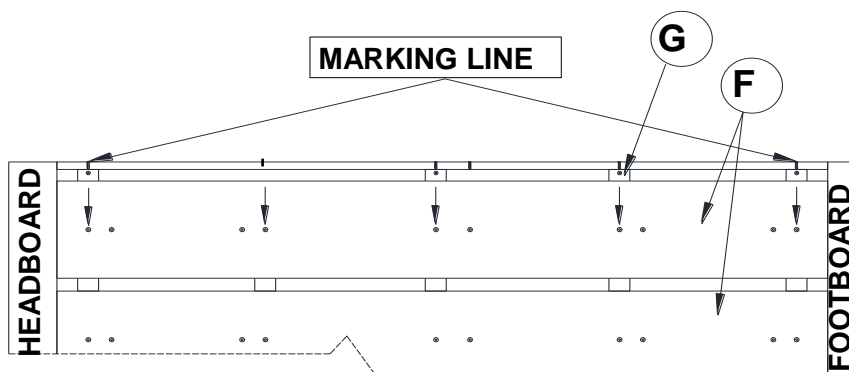


## STEP 8

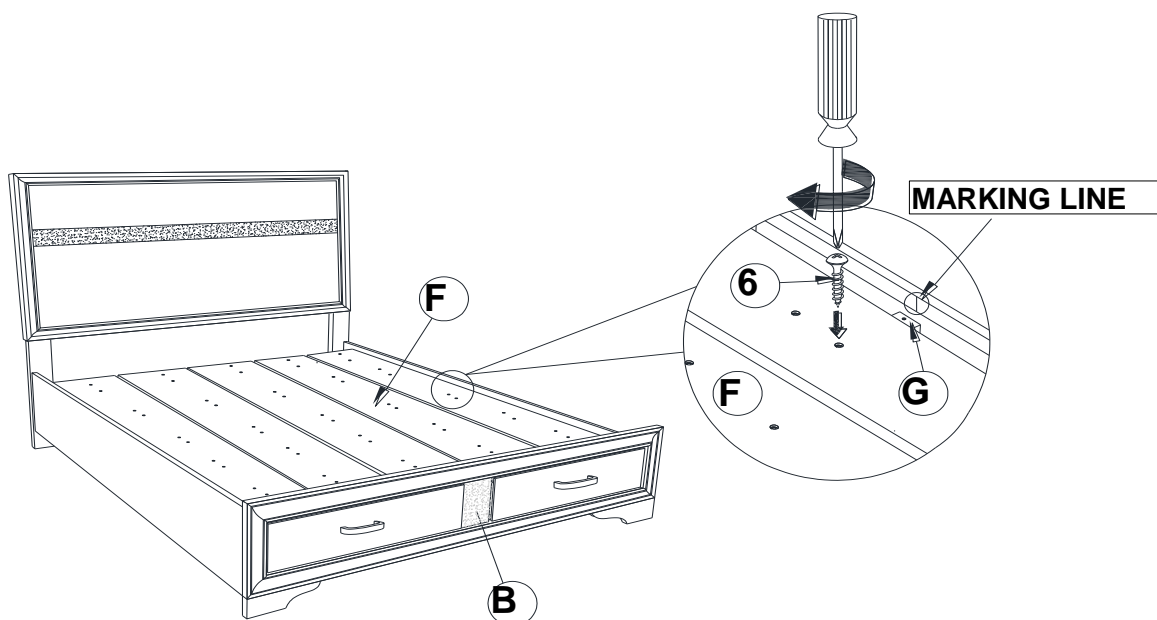


# ASSEMBLY INSTRUCTIONS

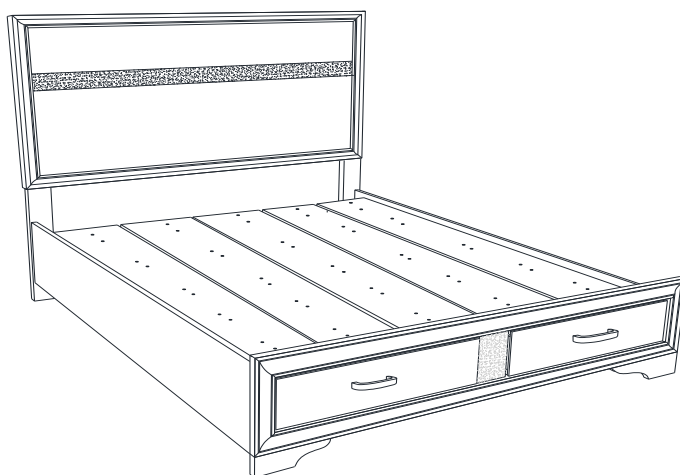
## STEP 9



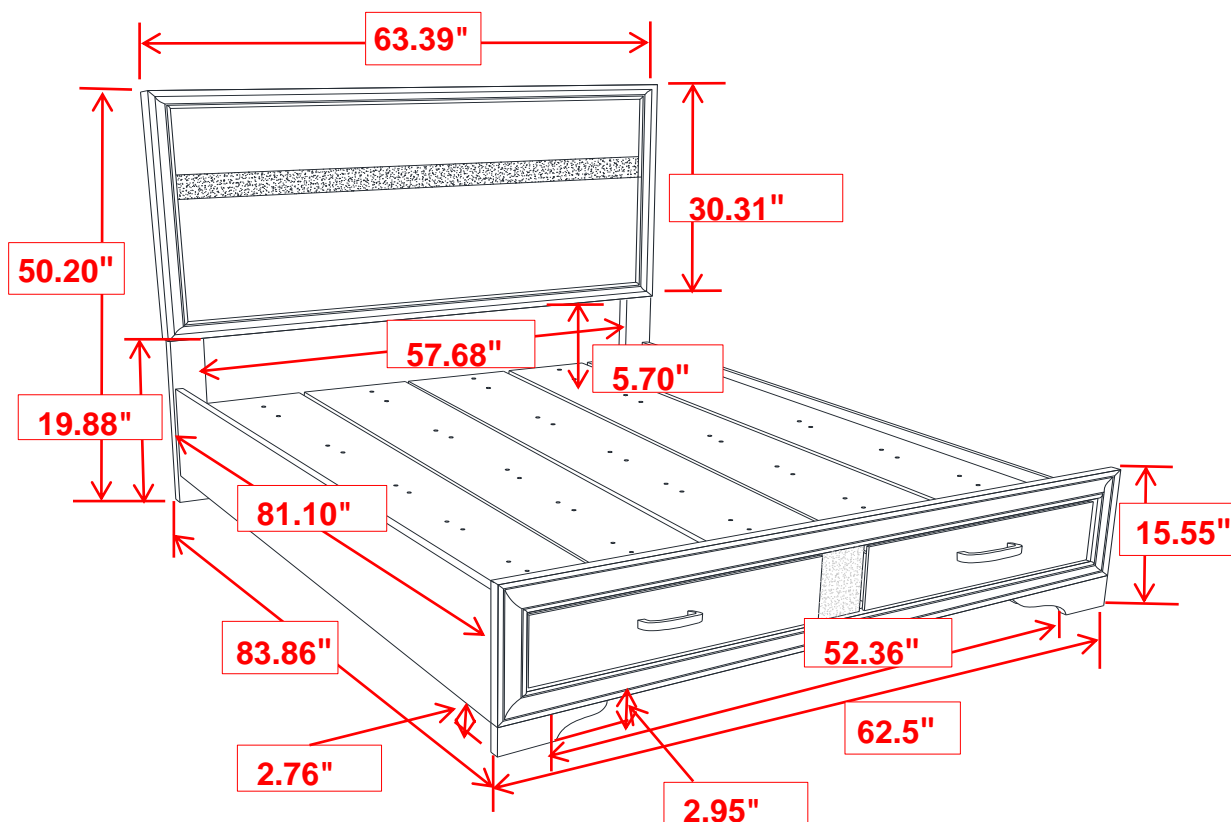
TIGHTEN THE PANHEAD SCREW (6) BY FOLLOW THE ARROW AS SHOWN



## STEP 10 COMPLETE



**INNER SIZE: 60.8" x 81"**  
**INNER SIZE OF DRAWER : 3.94"x14.96"x23.23"**



**Note :** Dimension tolerance  $\pm 5\%$