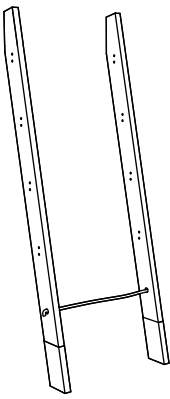

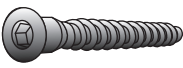



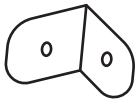
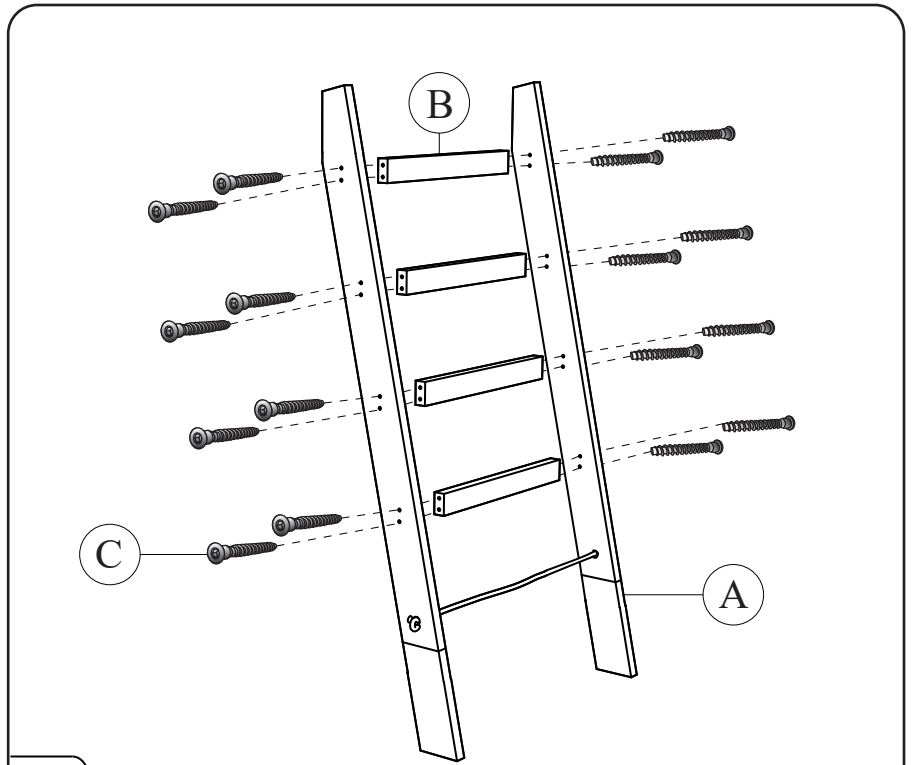
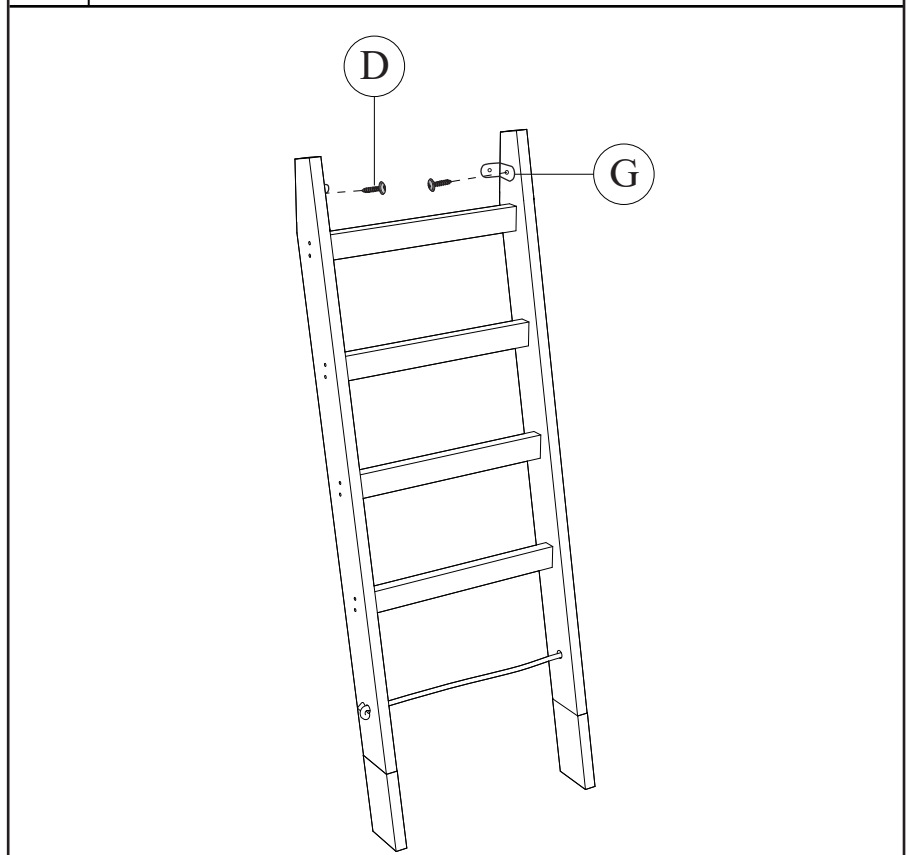


*Vintage Reclaimed Style Solid Wood Blanket Ladder / Towel Holder
Wall Rack w/ Rustic Galvanized Metal Legs & Rope Decor*

No.	Part	Pcs
A		1
B		4
C	 S5 x 38	16
D	 S4 x 18	2
E		2
F	 S4 x 30	2
G		2

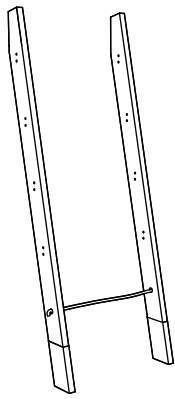

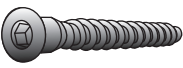



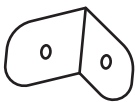


1 If you wish to secure it onto the wall, please continue to Step 2.



2 Leaning this ladder against the wall.

**Vintage Reclaimed Style Solid Wood Blanket Ladder / Towel Holder
Wall Rack w/ Rustic Galvanized Metal Legs & Rope Decor**

No.	Part	Pcs
A		1
B		4
C	 S5 x 38	16
D	 S4 x 18	2
E		2
F	 S4 x 30	2
G		2

