

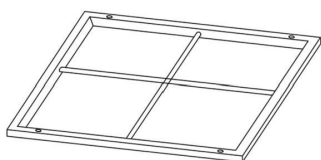
OUTDOOR CONVERSATION SET

INSTRUCTION MANUAL

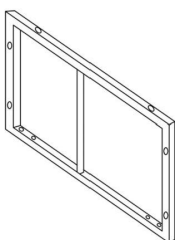
BEFORE YOU START

1. Our Patio Furniture may come in **multiple boxes**. Please wait until all package arrive. Email us if tracking needed at (Patiofurniture-service@gmail.com)
2. Our conversion set is pre-assembled ready-to-use. The only part require assembly is the middle table, unassembled to protect the glass during transportation
3. Please DO NOT fix screws tightly until all screws and holes have been connected successfully. Thread the screws a little bit first, leave them loose until ALL screws are in, and then tighen.
4. Please DO NOT discard packing boxes before all parts are assembled successfully.
5. DO NOT touch the glass (if have) with bare hands if the glass is broken during shipping.
6. Please email us (Patiofurniture-service@gmail.com) with PICTURES of parts and SKU# info on box marks if there is any trouble with assembly or missing or damaged parts.
7. To enhance lifespan of patio furniture, please cover the set and put cushions indoor during rainy or snowy days, or long term no use

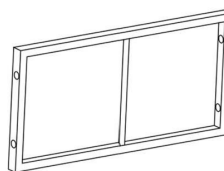
Table Assembly



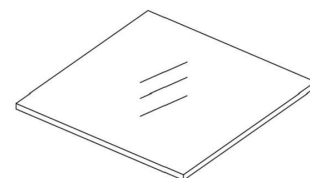
L: Coffee Table Top
X1



J: Side Leg w/Feet
X2



K: Side Panel X2



J: Glass X1



a
Washer
20pcs



b
M6*35MM
12pcs



c
M6*40MM
8pcs



d
M6
8pcs



f
Straight
4pcs

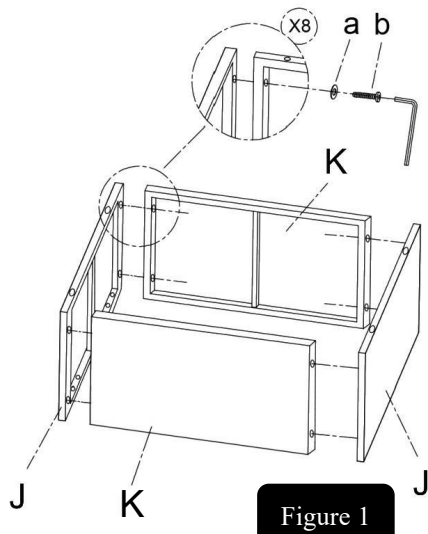


Allen key
1pcs



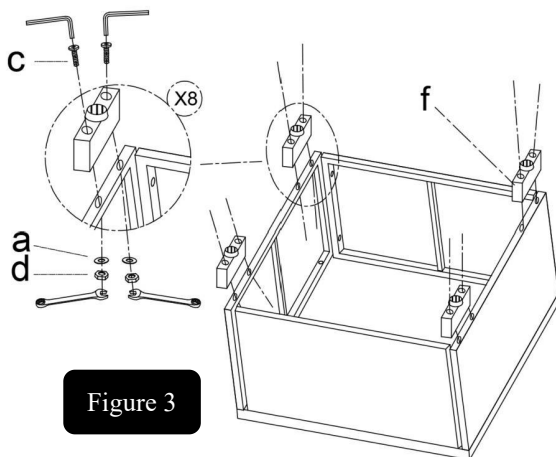
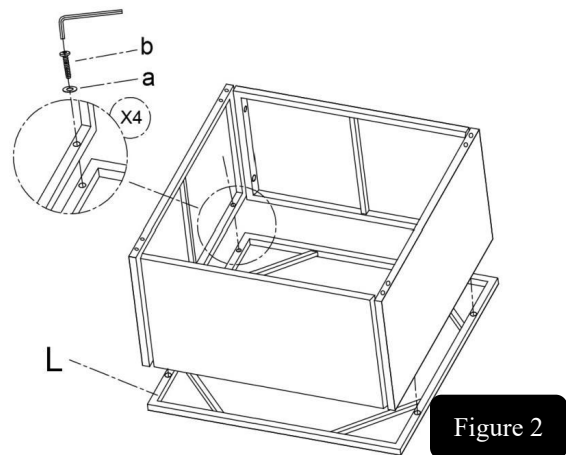
wrench
1pcs

Table Assembly



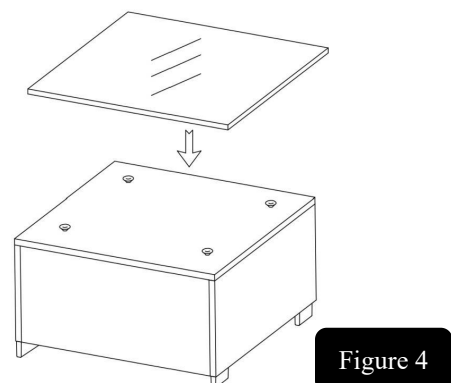
- According to Figure 1, assemble the four surfaces
- Use an allen key to connect the "K" and "J" panels. Use 8x "a" and 8x "b" as shown in the figure. Replicate the step for all four corners

- As shown in Figure 2, install the tabletop to form a complete table
- Use an allen key to connect the "L" panel to the assembled J & K panels in the order "a" and "b" shown in the figure. Replicate step for all four corners (use 4x "a" and 4x "b")



- Then install the table legs at the bottom
- According to Figure 3, first, Place "f" at the corresponding position of the table leg, then use a spanner to fix "a" and "d" to the bottom of the rattan strip. Use an allen key to insert and tighten "c" into the holes.
- Replicate the steps for all 4 corners. (use 8x "a", 8x "d" and 8x "c")

- Put the glass at top



Install Legs For 2 Chairs

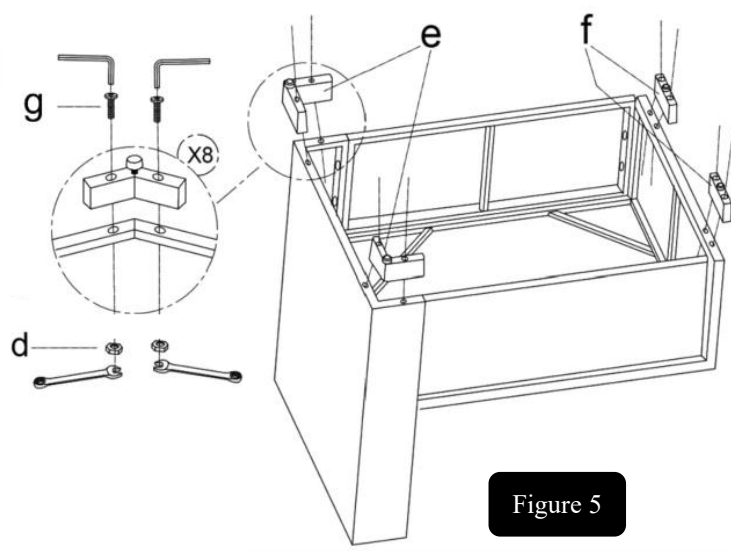
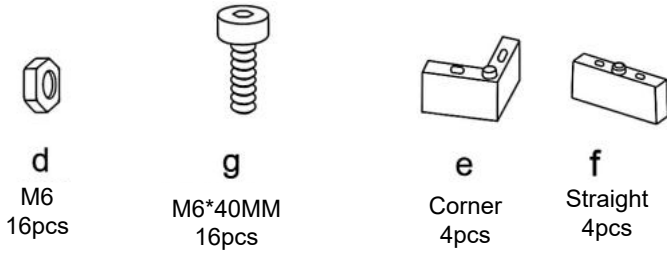


Figure 5

- According to Figure 5, install the table legs at the bottom
- Place "e" and "f" in the corresponding positions, then use spanner to fix "d" in the bottom of the rattan strip. Use an allen key to insert and tighten "g" into the holes
- There are 4 positions in total per chair. Replicate the step for 2nd chair

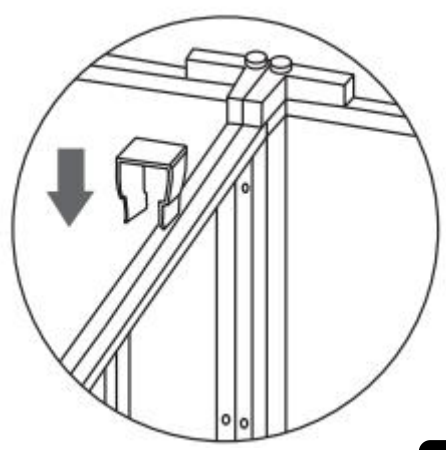


Figure 6

Optional Step:

- We provide 2 Clips. This is used to combine 2 chairs together when needed.
- Each clip can combine 2 chairs at one side