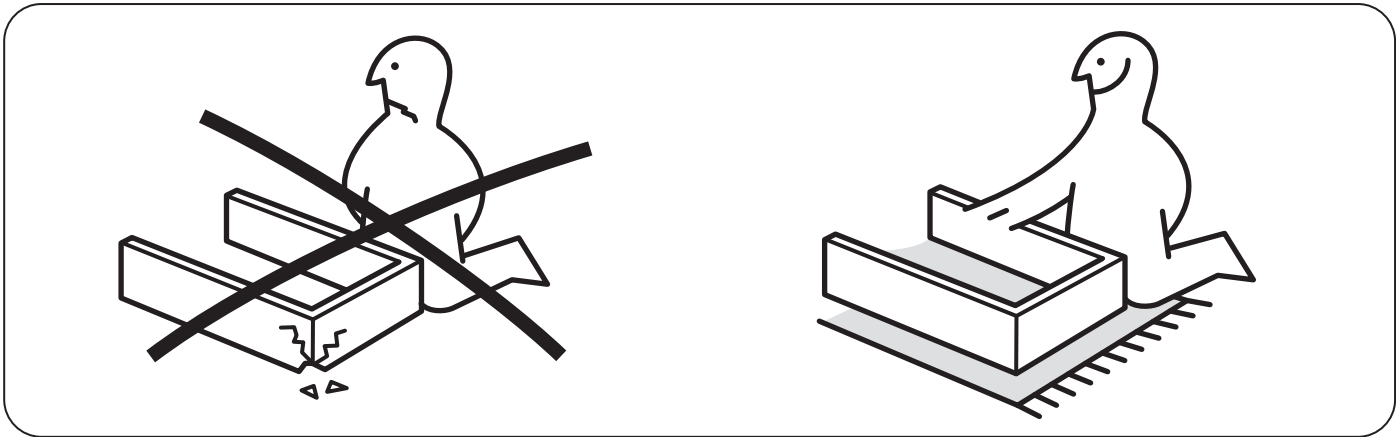
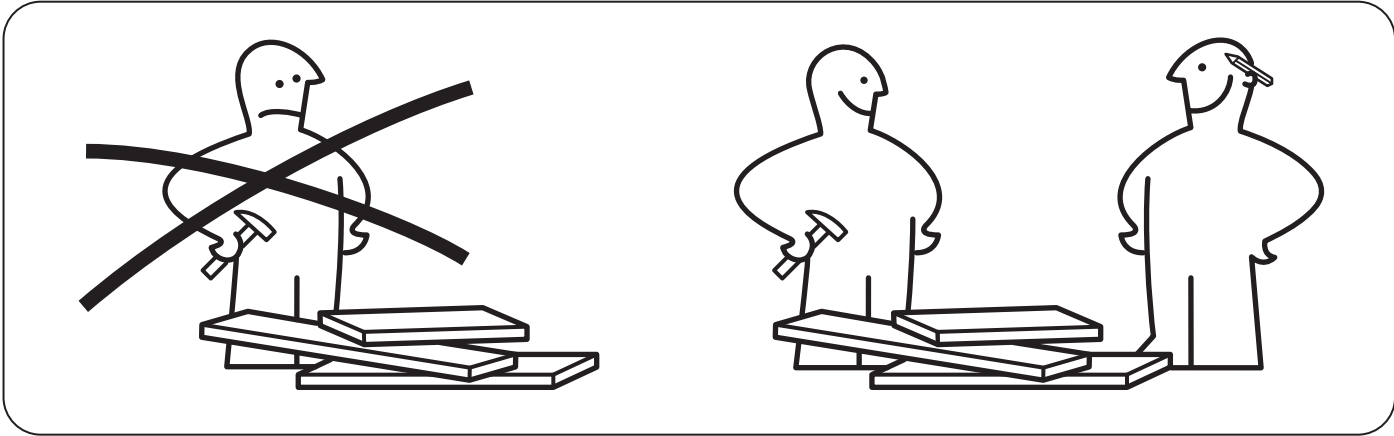
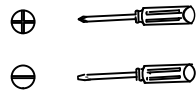


Thanks for purchasing one of our products,
please carefully read the assembly instructions
before installation(Attention:Do not tighten
the screws before all screws are in place).

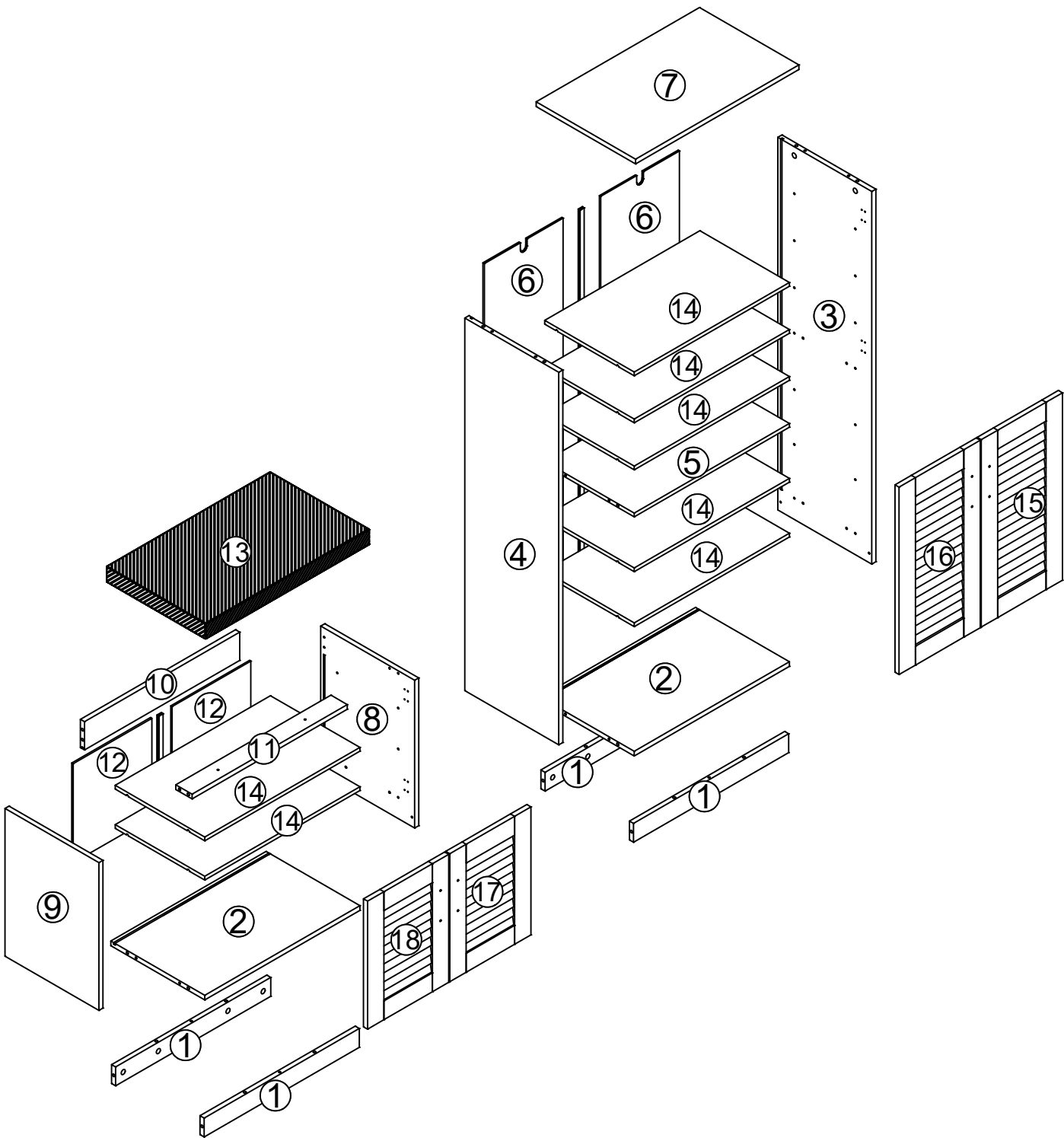


(Tools not provided)
Flat Blade Screwdriver
Phillips Head Screwdriver
Wooden Hammer


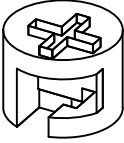




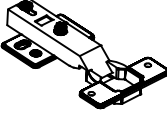


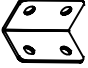









To Assemble the Unit
Wooden Hammer

PAGE1
Exploded View

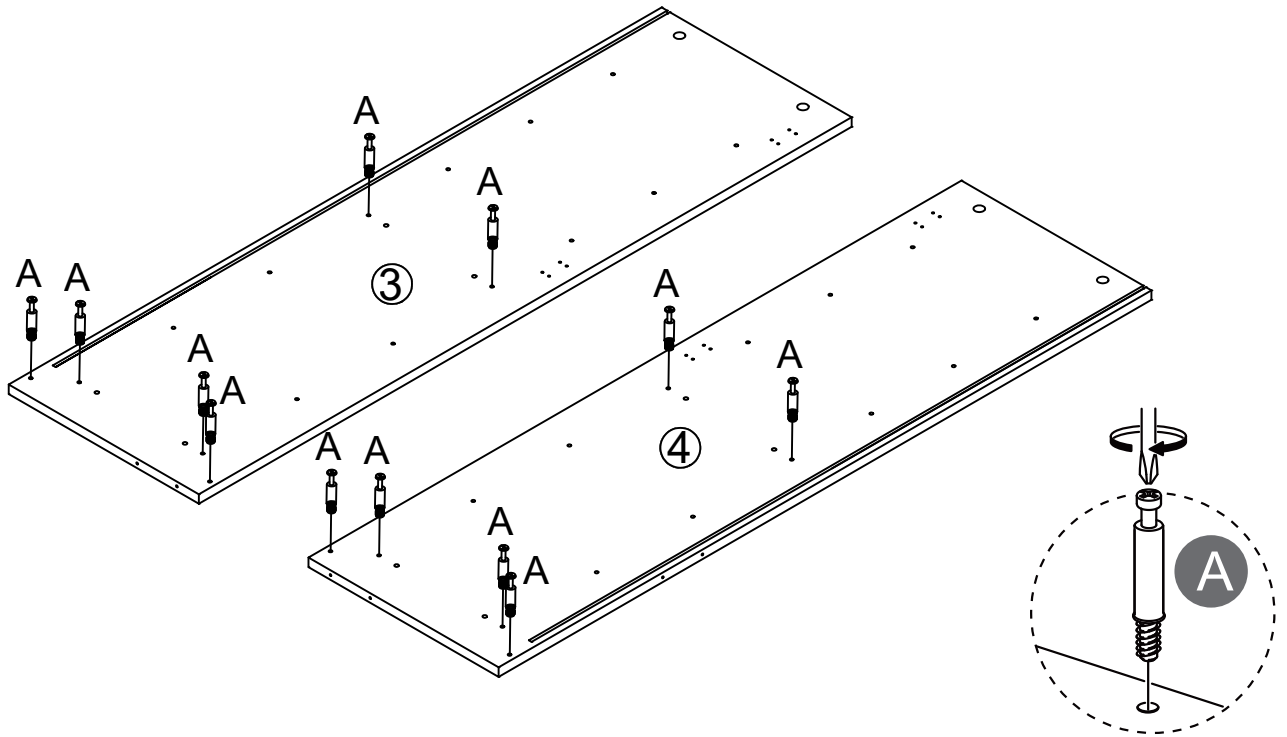


PAGE 2
will require these parts

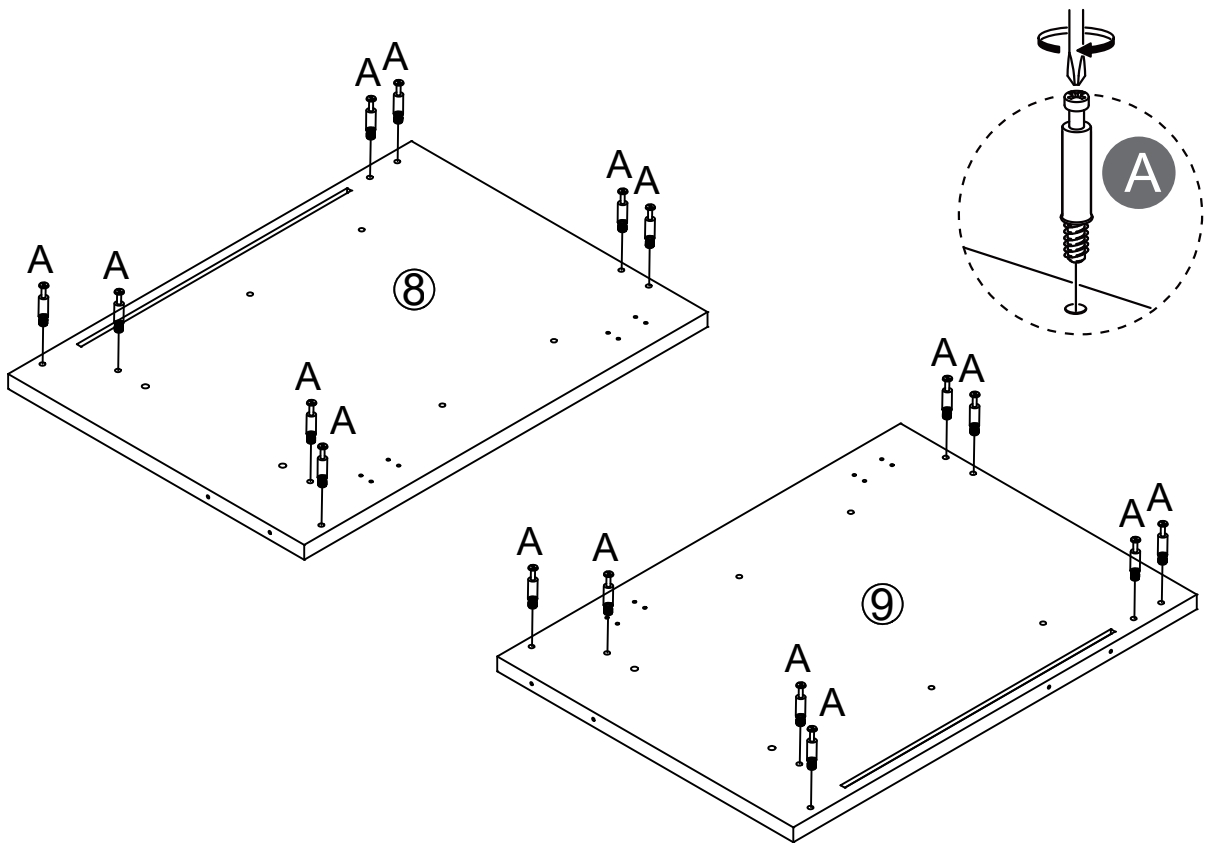
<p>A</p>  <p>40+2PCS</p>	<p>B</p>  <p>40+2PCS</p>	<p>C</p>  <p>M6X30MM</p> <p>12+2PCS</p>	<p>D</p>  <p>M3.5X14M</p> <p>66+2PCS</p>
<p>E</p>  <p>4PCS</p>	<p>F</p>  <p>8+1PCS</p>	<p>G</p>  <p>8PCS</p>	<p>H</p>  <p>28PCS</p>
<p>I</p>  <p>2PCS</p>	<p>J</p>  <p>2PCS</p>	<p>K</p>  <p>1PC</p>	<p>L</p>  <p>1PC</p>
<p>M</p>  <p>M3.5X30M</p> <p>2PCS</p>	<p>N</p>  <p>4+1PCS</p>	<p>O</p>  <p>2PCS</p>	<p>P</p>  <p>2PCS</p>
<p>Q</p>  <p>M3.5X25M</p> <p>2PCS</p>			

will require these parts

STEP 1



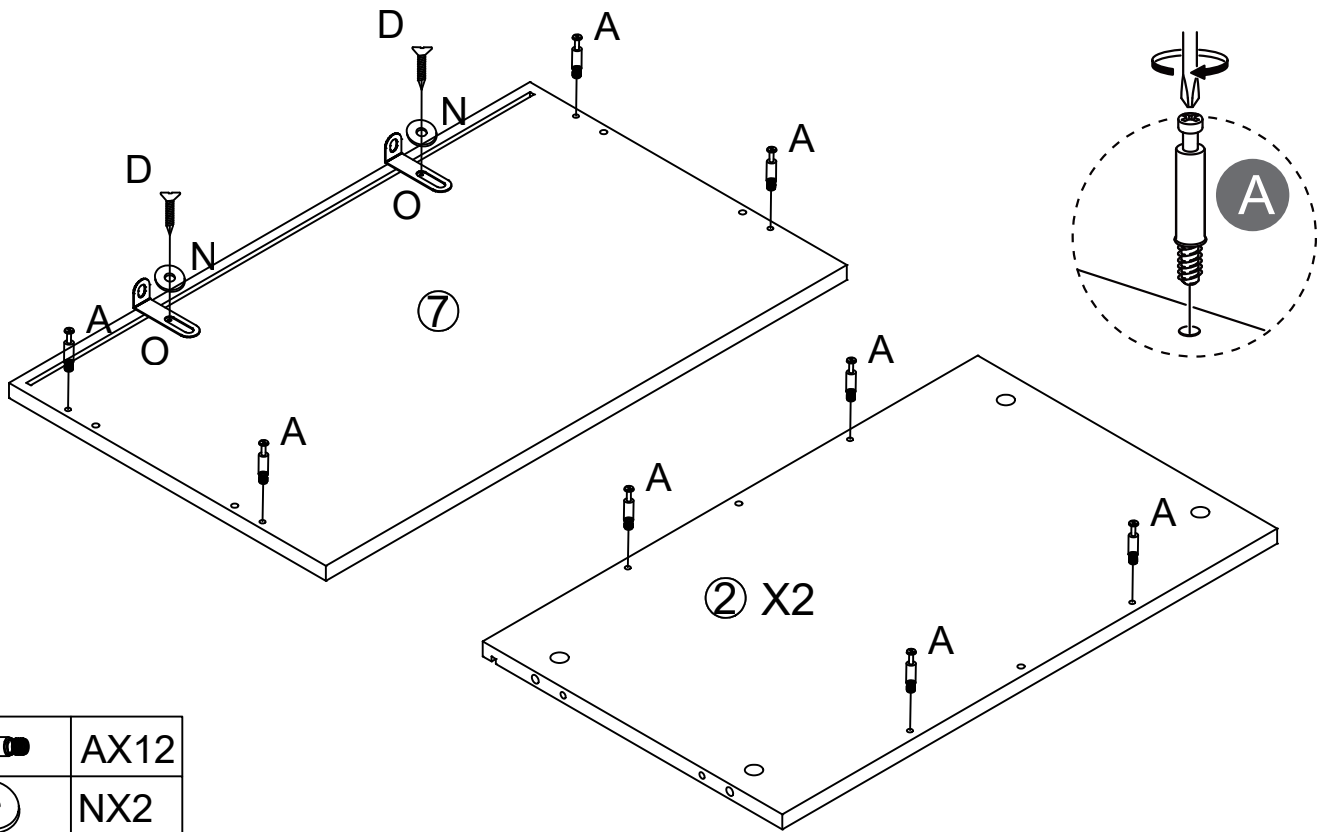
AX12

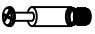





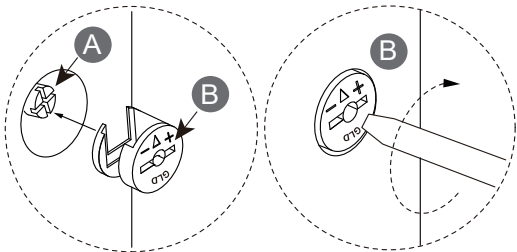
AX16

will require these parts

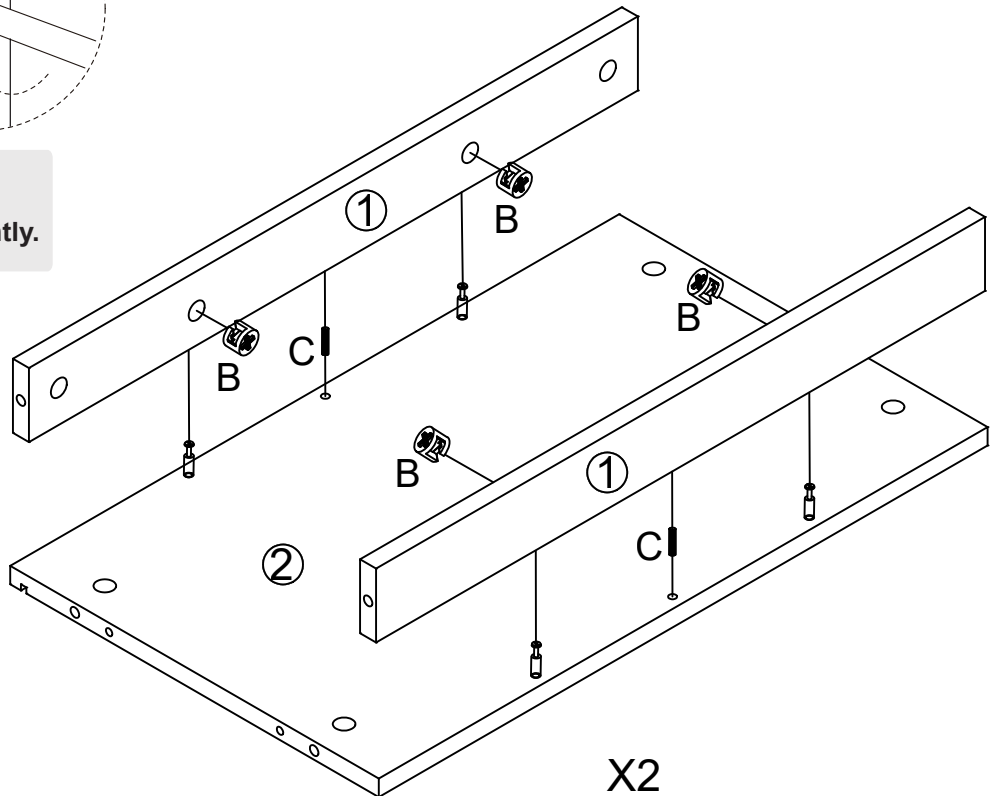
STEP2



	AX12
	NX2
	OX2
	DX2



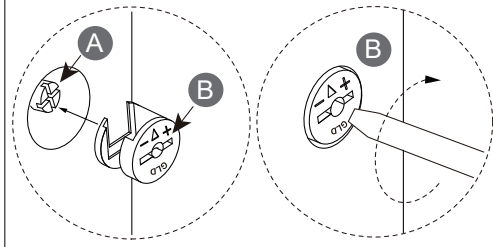
Attention:
Put (B) into the hole and turn (B) clockwise to lock (A) tightly.



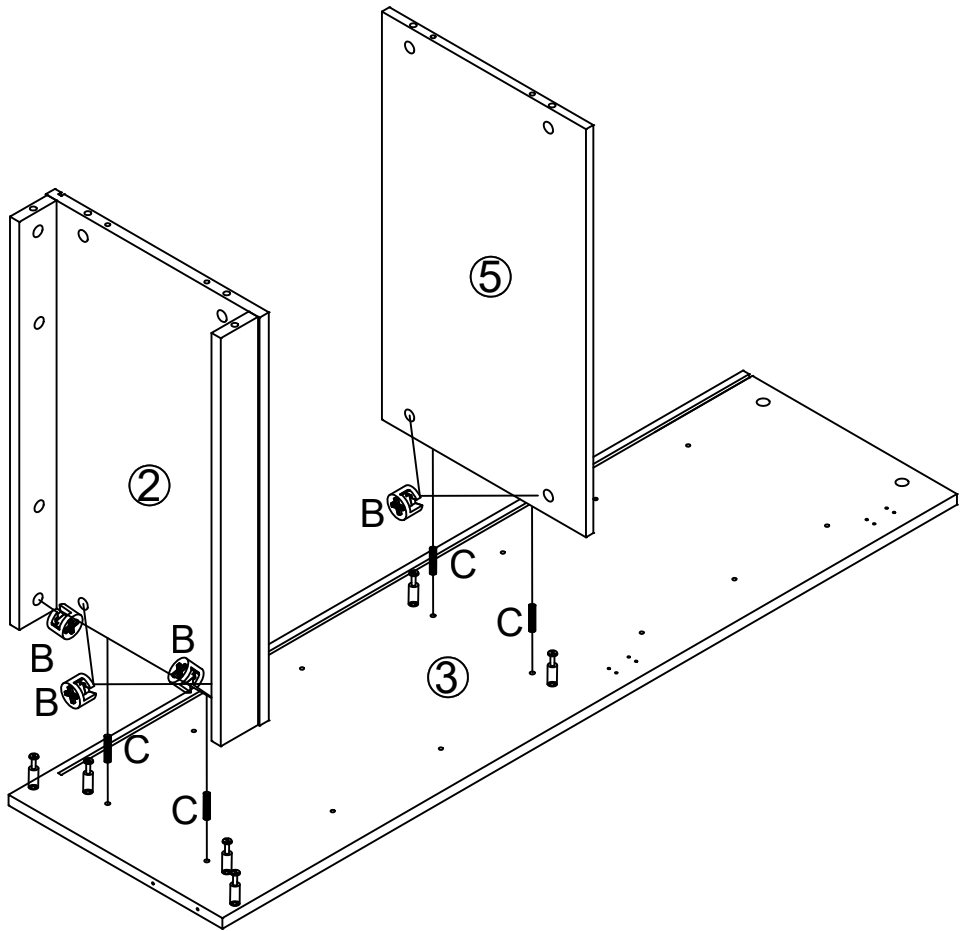
	BX8
	CX4



will require these parts

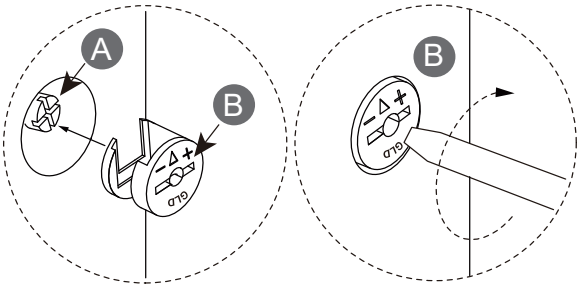
STEP 3



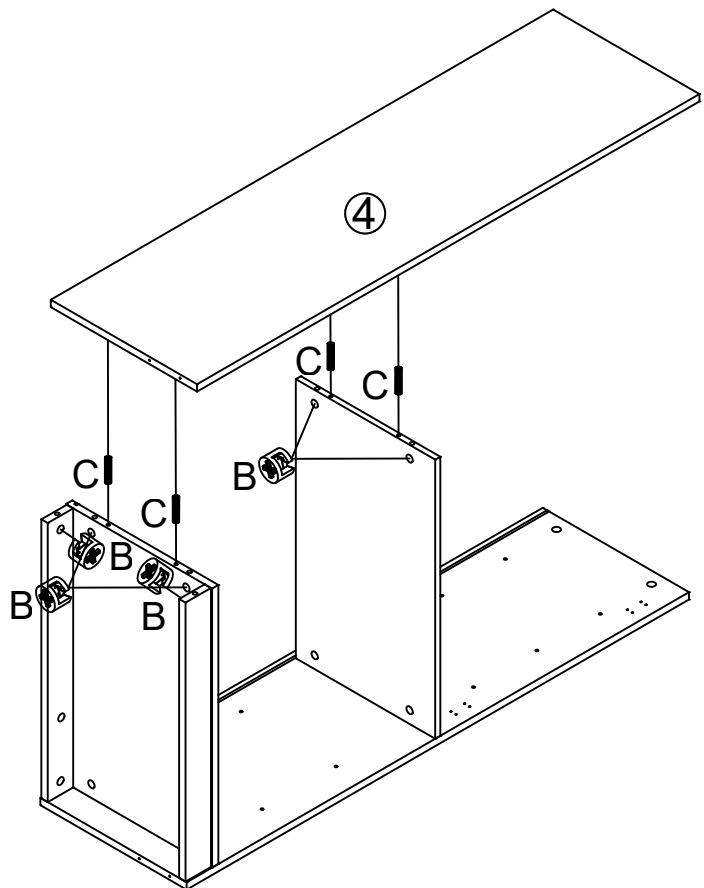
Attention:
Put **(B)** into the hole and turn **(B)** clockwise to lock **(A)** tightly.



	BX6
	CX4



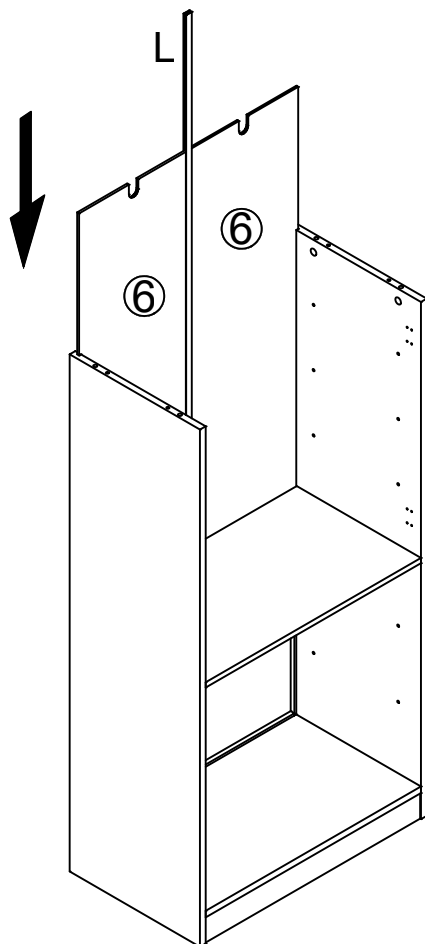
Attention:
Put **(B)** into the hole and turn **(B)** clockwise to lock **(A)** tightly.

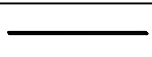


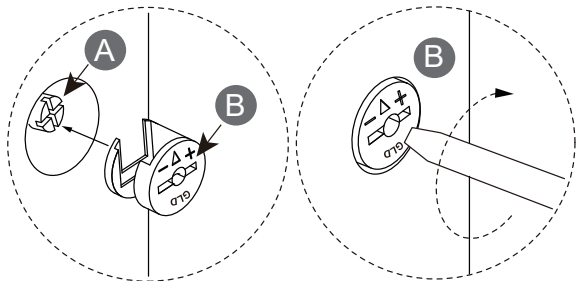
	BX6
	CX4

will require these parts

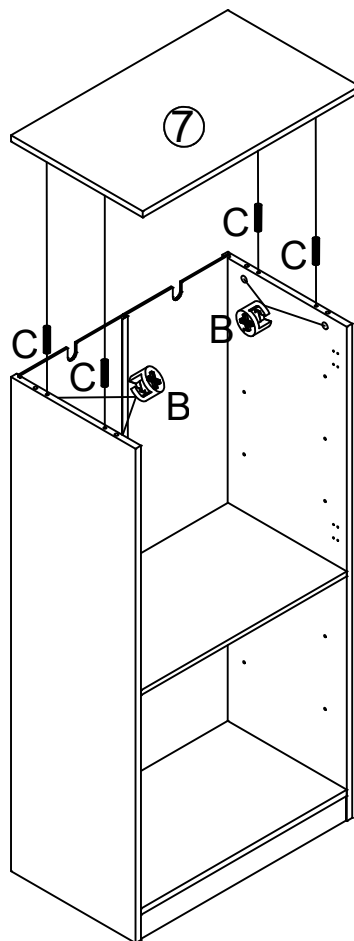
STEP 4



	LX1
------------------------------------------------------------------------------------	-----



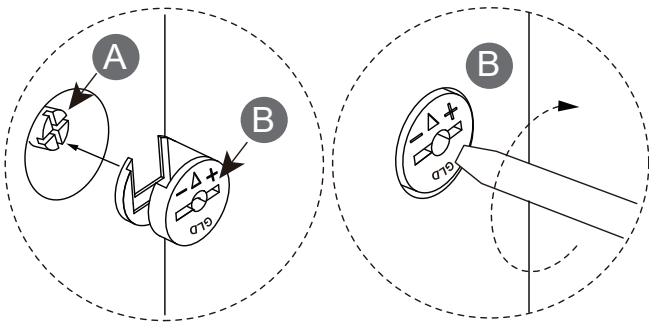
Attention:
Put (B) into the hole and turn (B) clockwise to lock (A) tightly.



	BX6
	CX4

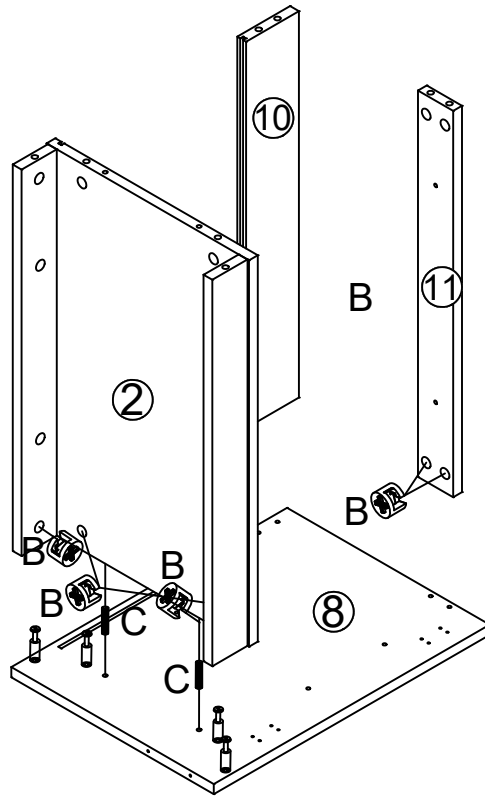
will require these parts

STEP5

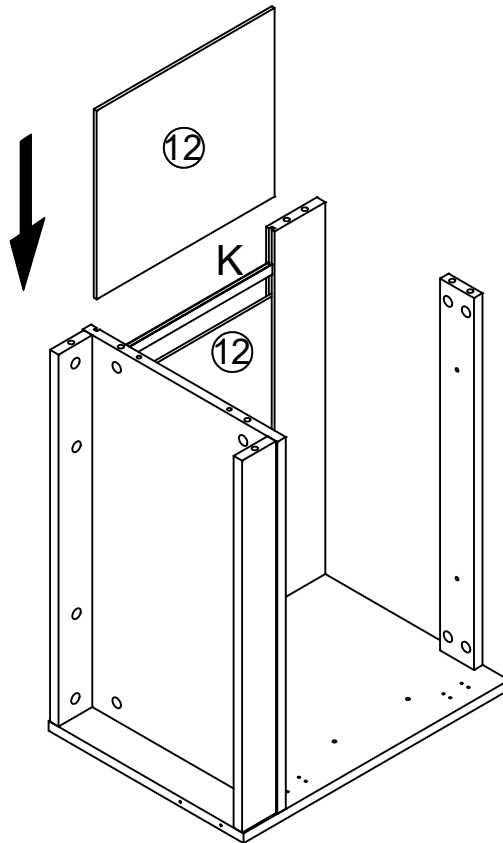



Attention:

Put **(B)** into the hole and turn **(B)** clockwise to lock **(A)** tightly.



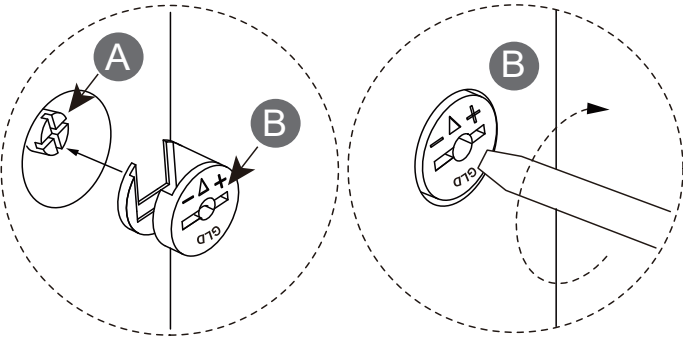
	BX8
	CX2



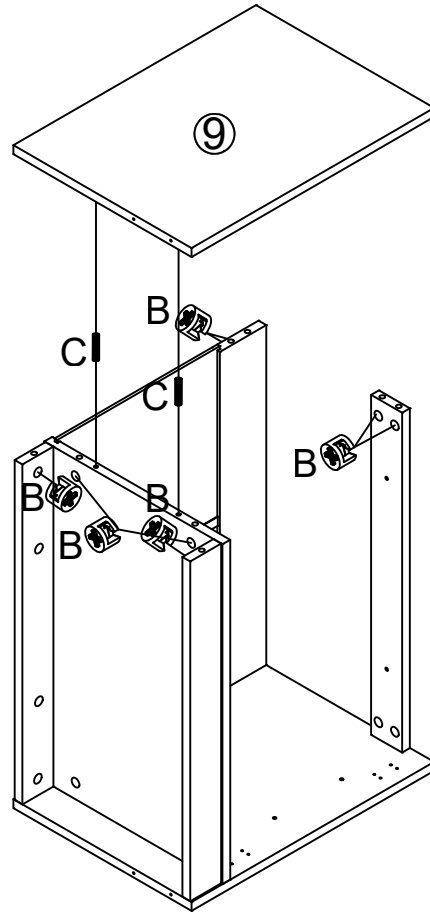
	KX1
-------------------------------------------------------------------------------------	-----

will require these parts

STEP 6

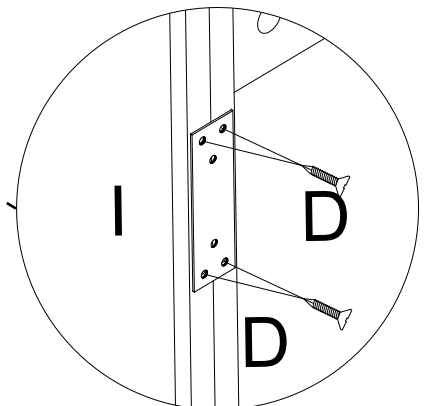
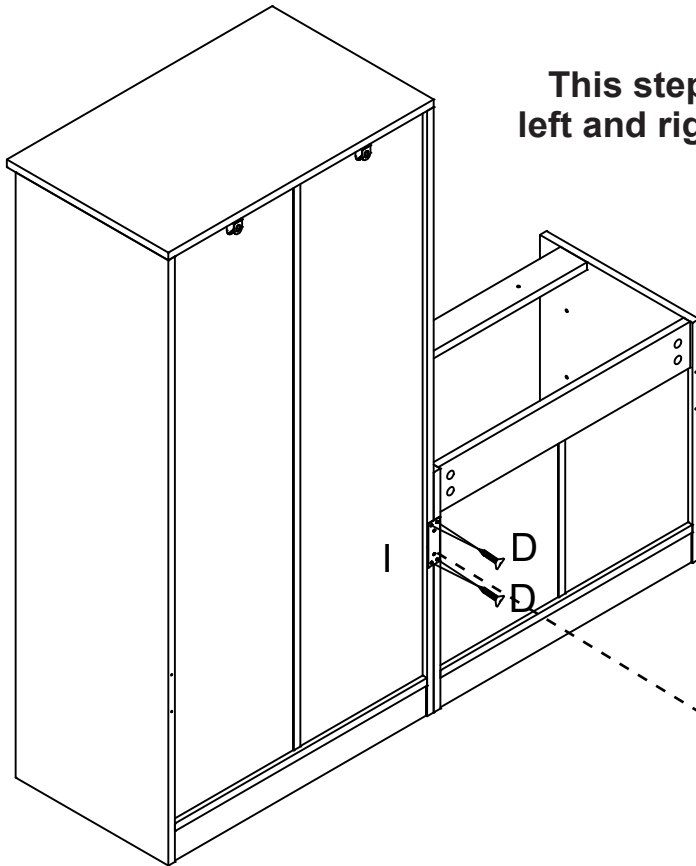




Attention:
Put **(B)** into the hole and turn **(B)** clockwise to lock **(A)** tightly.



	BX8
	CX2

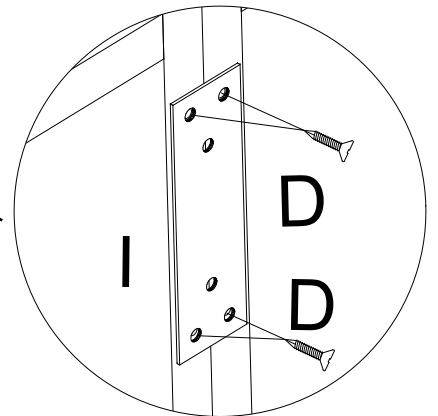
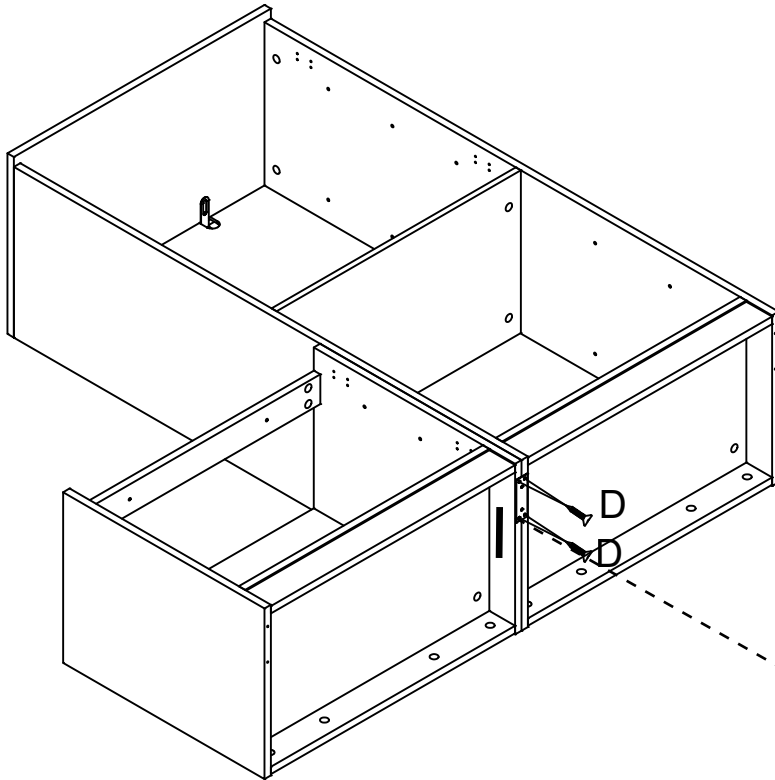
This step can be interchanged left and right as needed





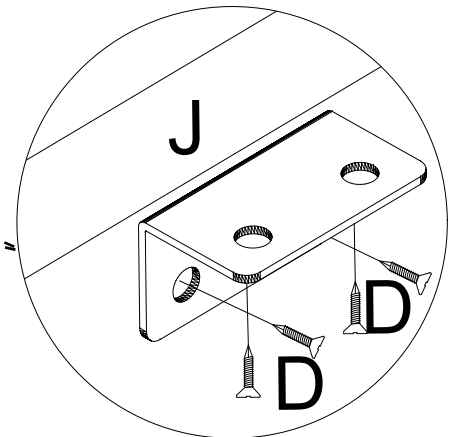
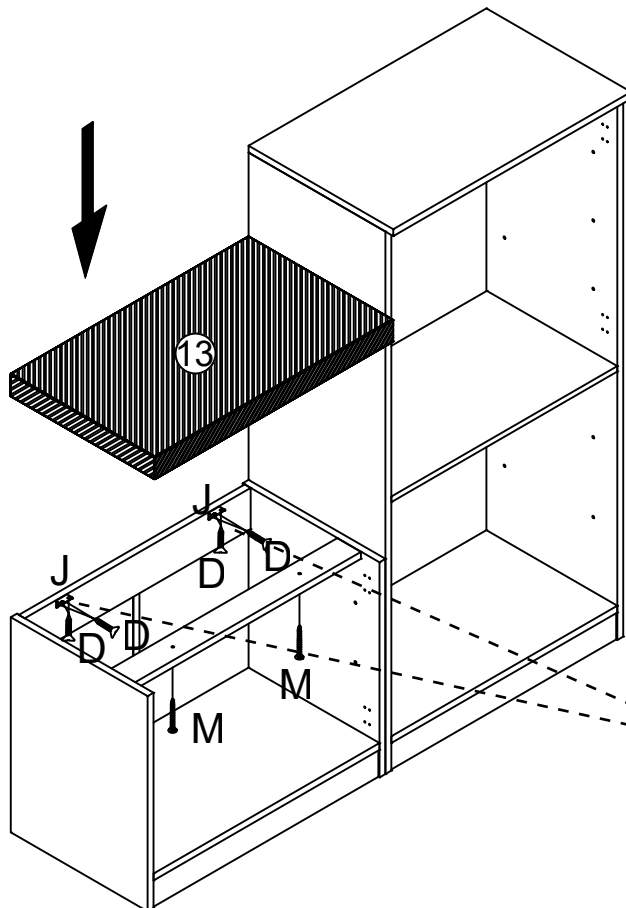
	DX4
	IX1




will require these parts

STEP 7



	DX4
	IX1

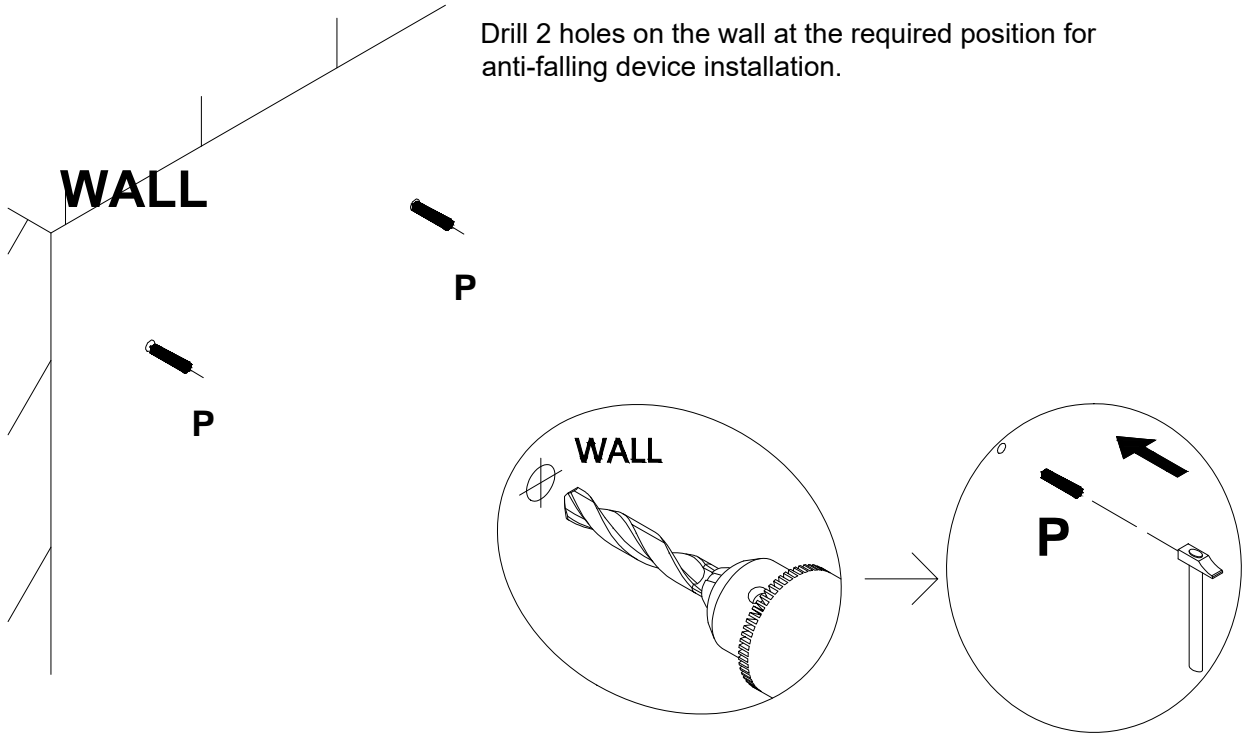


	DX4
	JX2
	MX2

STEP 8

will require these parts

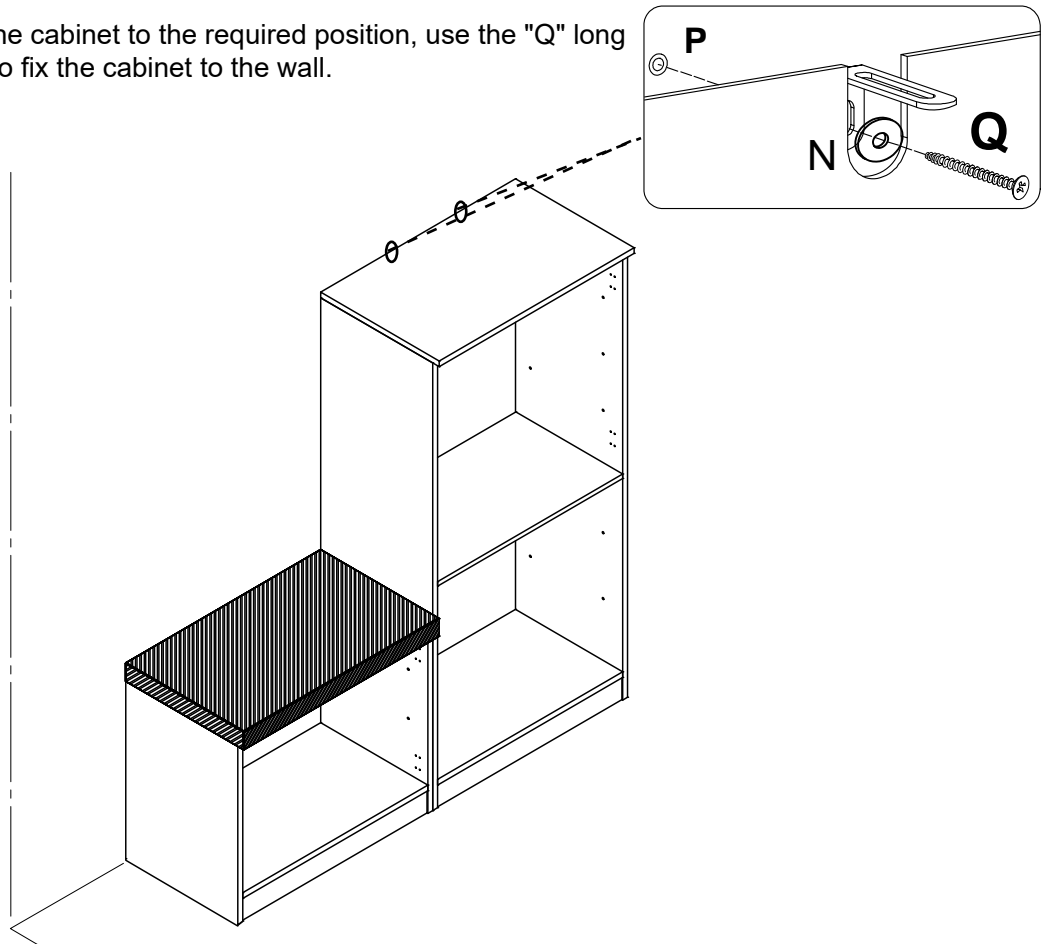
Drill 2 holes on the wall at the required position for anti-falling device installation.


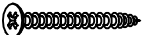


	Ux 2
------------------------------------------------------------------------------------	------

Move the cabinet to the required position, use the "Q" long screw to fix the cabinet to the wall.

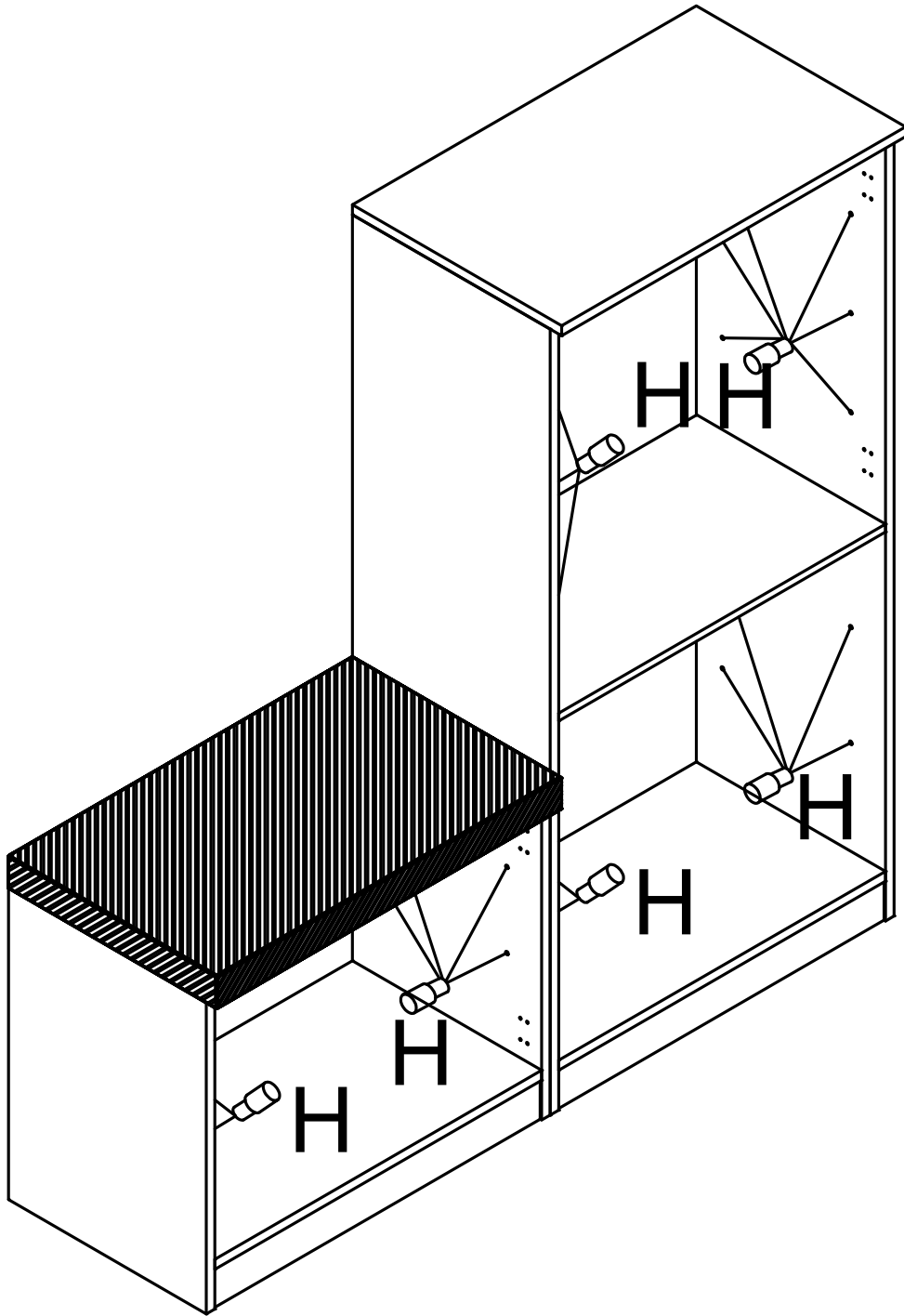
WALL



	NX2
	QX2

will require these parts

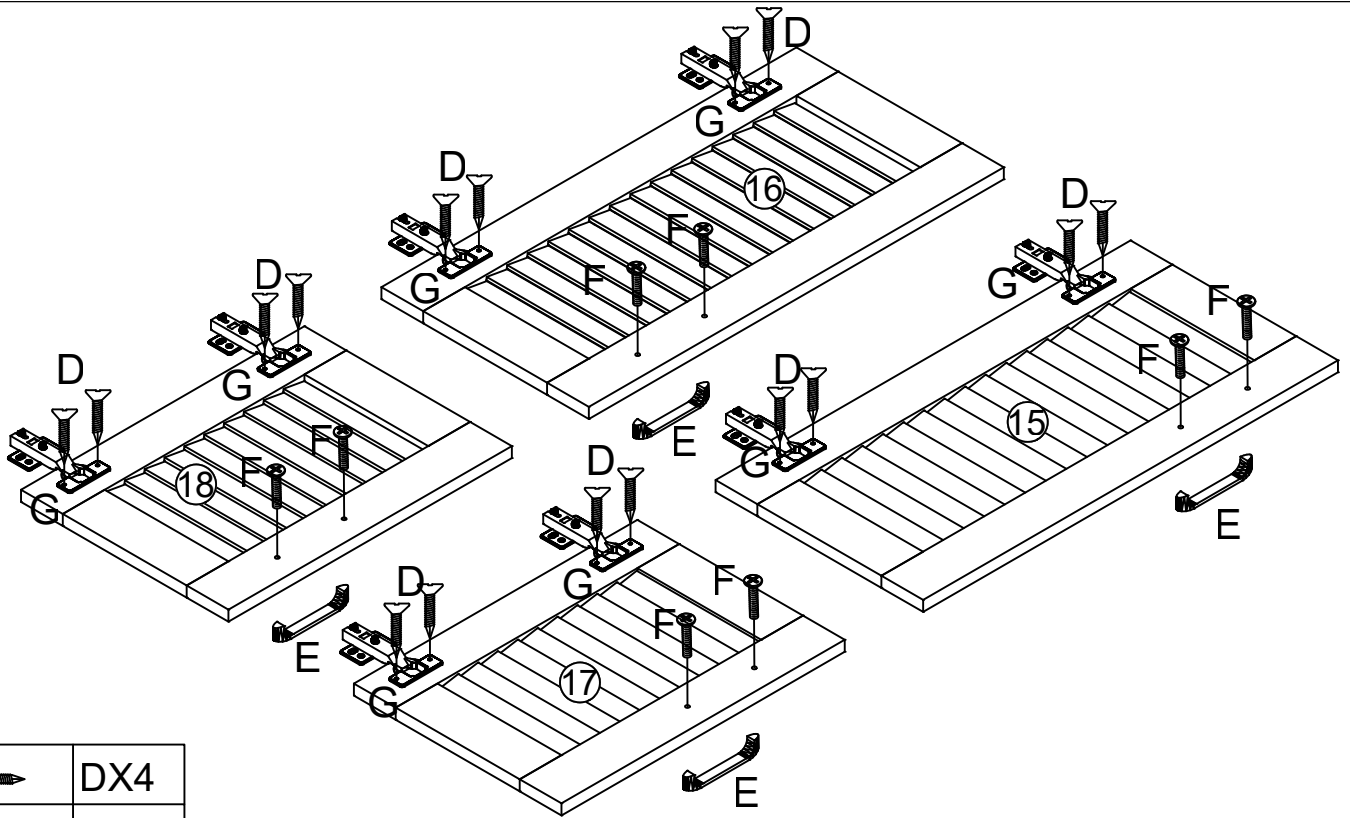
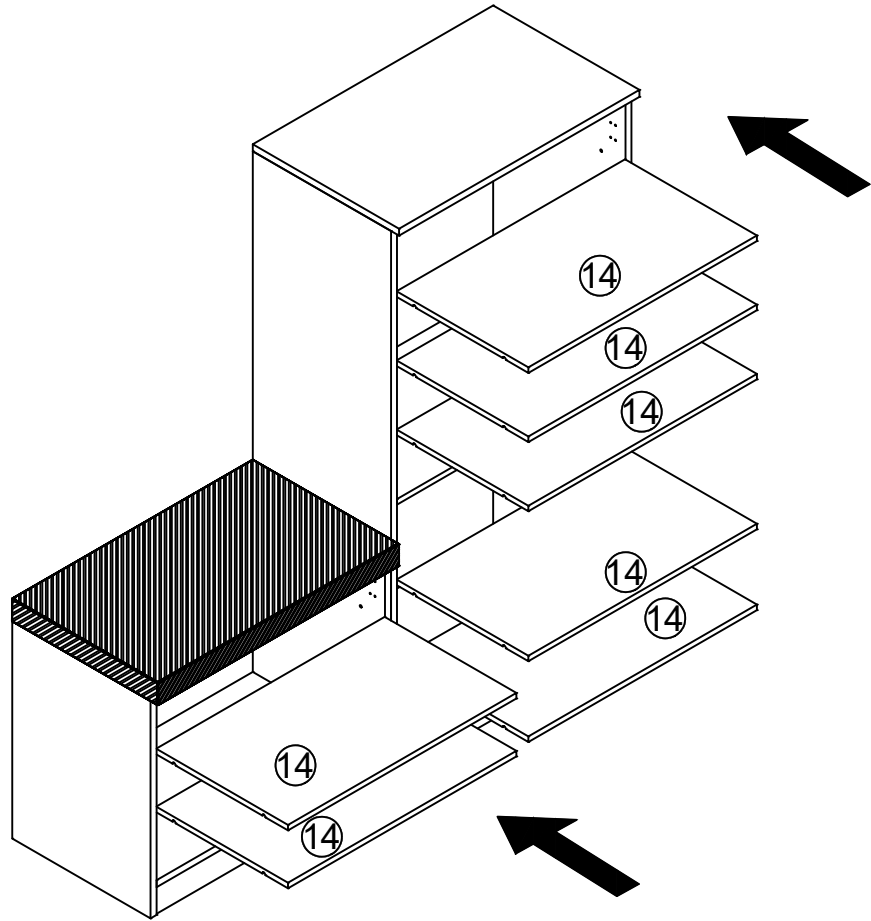
STEP9







HX28

will require these parts

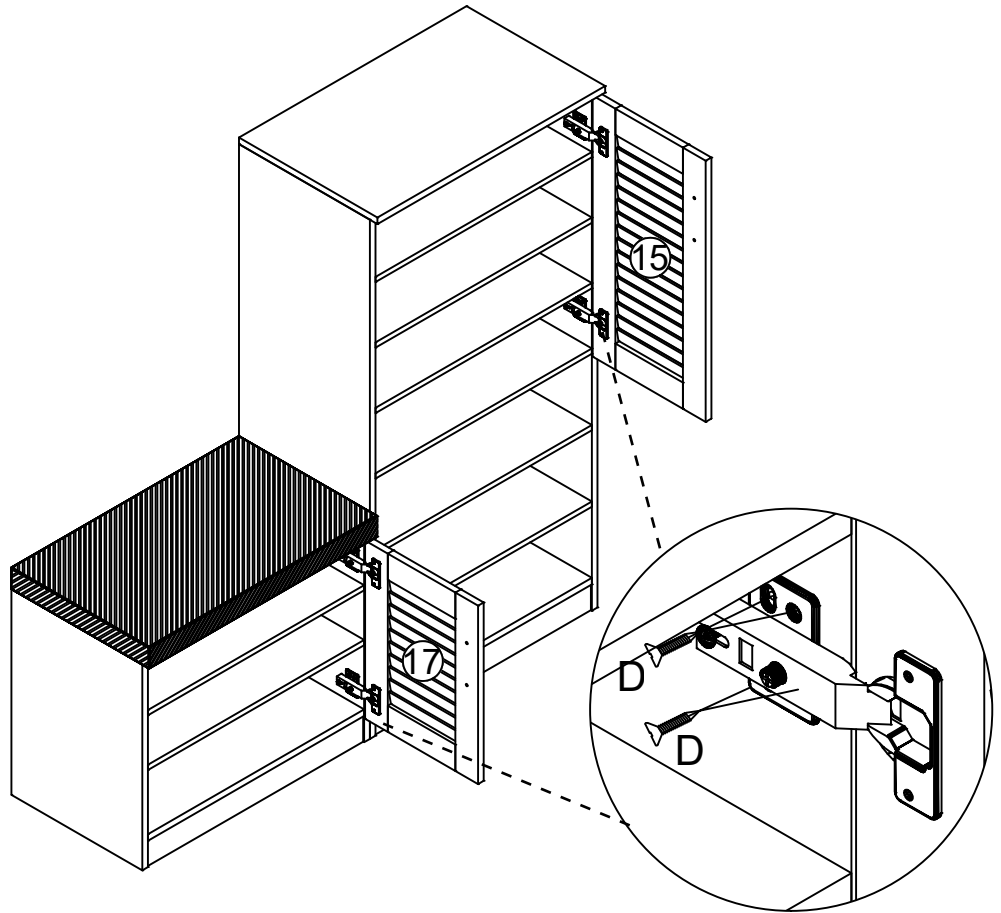
STEP 10



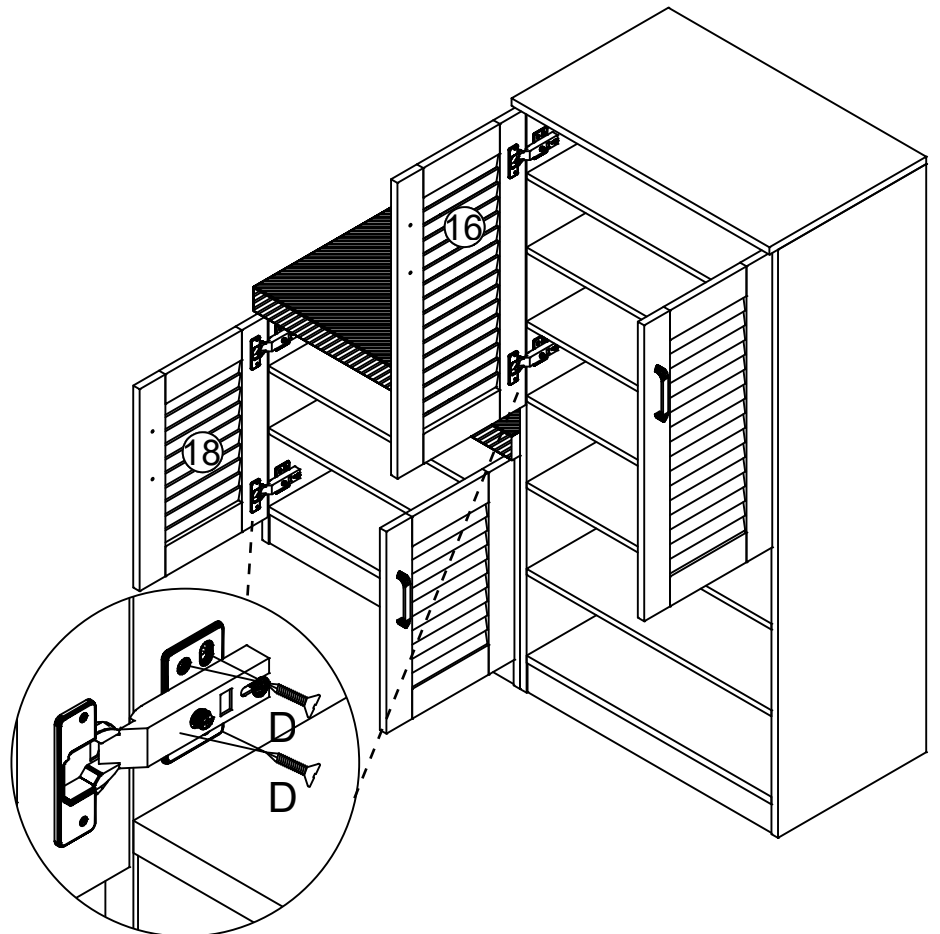
	DX4
	EX4
	FX8
	GX8

will require these parts

STEP 11



DX16

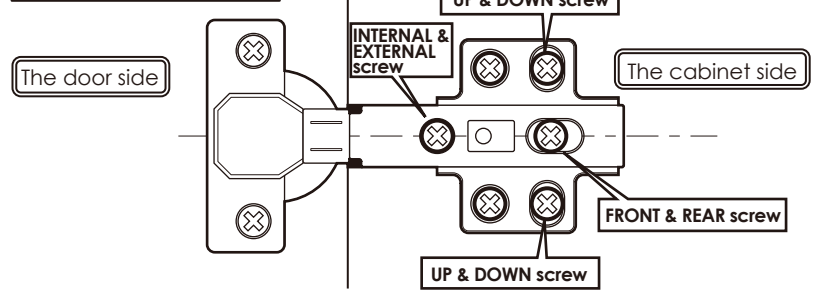


DX16

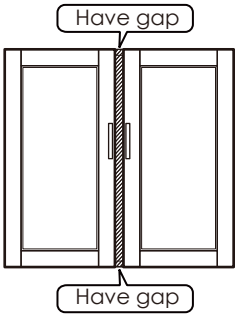
The ways to adjust the door

- Before adjusting the hinge, please check whether the cabinet is skewed.
- If the skew can not be repaired, please remove the anti-tipping device first, then adjust the cabinet to vertical position.
- Please adjust the hinge with the door open.
- Please operate it with more than 2 people, one person holds the door and the other one adjusts the screw.

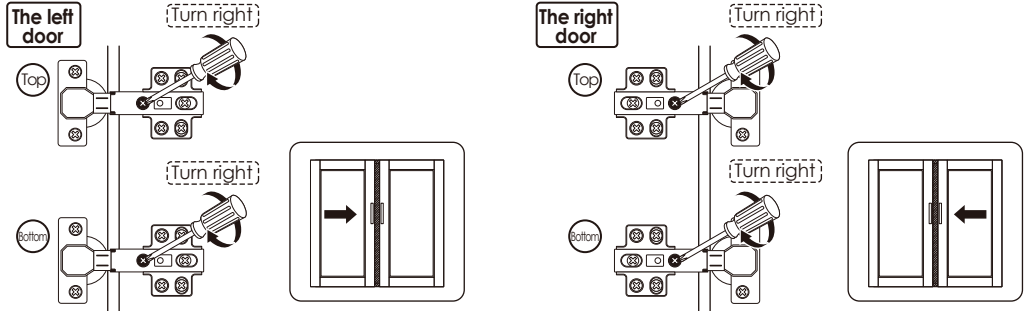
Components Name



Obvious gaps between doors or Doors don't look closed



- 1 Turn "internal & external screw" to the right can make the door approach inside. Please adjust the doors little by little.



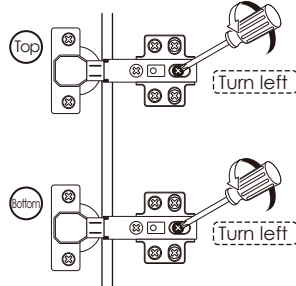
※ If the 2 doors are overlap, please turn the "internal & external screw" to the left.

When door is crooked



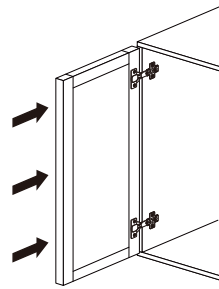
Please take the following steps to adjust first.

- 1 Rotate the "front and rear screws" to the left

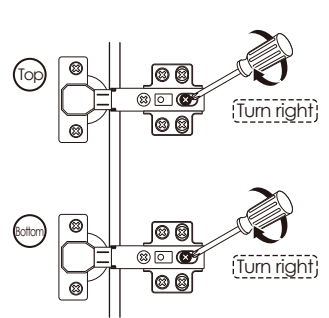


※ After adjusting the "front and rear screw", the door still does not change, please turn the "internal & external screw" to the right slightly.

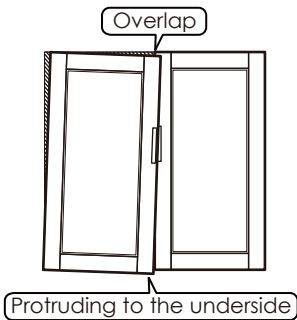
- 2 Push the door to the cabinet



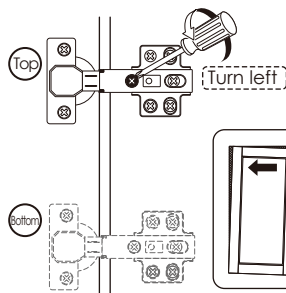
- 3 Rotate the "front and rear screws" to the right



When door is leaning



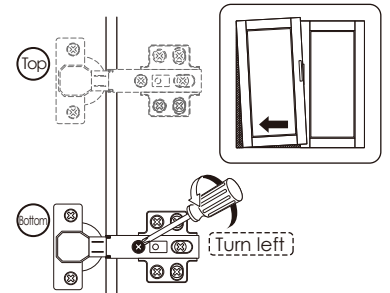
- 1 Turn "internal & external screw" to the left can make the top of the door tilted outward.



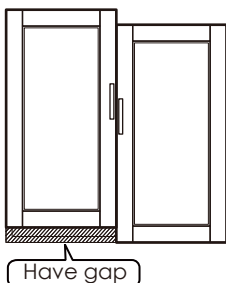
Protruding to the upside



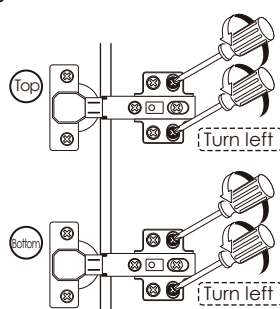
- 1 Turn "internal & external screw" to the left can make the bottom of the door tilted outward.



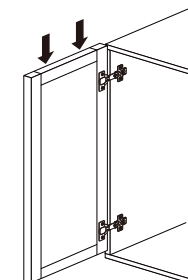
When the door is higher on top



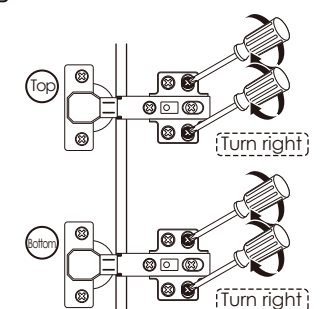
- 1 Turn "up & down screw" to the left



- 2 Lower the door's height so that 2 doors are of the same height.



- 3 Turn "up & down screw" to the right



※ If the door is lower on bottom, please lift up the left door slightly on step 2