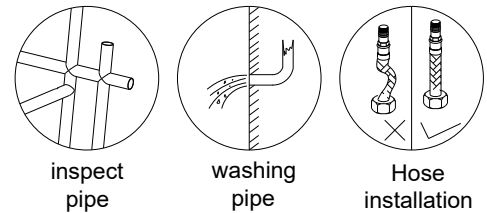
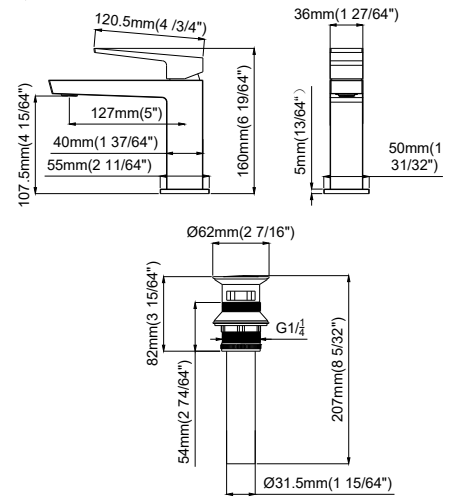


Dimensional Drawing



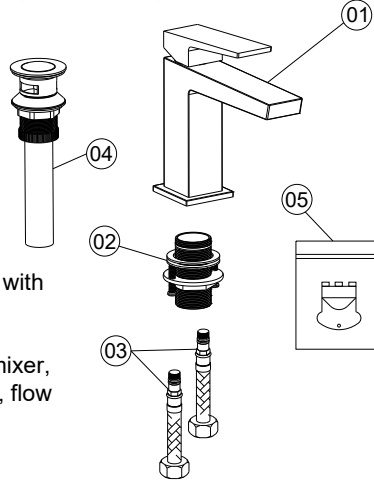
Product Description

(1) specification:

1. After you open the package, Please check the physical object and the corresponding accessories;
2. The picture is only for reference, please make the object as the standard;
3. Accessories are subject to change without affecting use, No further notice;
4. Thank you for choosing our products.

(2) The list of products is as follows: Please refer to the figure on the right

05	Spare parts	1	S.S	
04	Sewer assembly	1	S.S	
03	Hot/cold inlet pipe	2	S.S	
02	Fixed suit	1	Fe	
01	Faucet Body	1	Cu	included joint ring
NO	Name	qty	material	remark



Installation Notes

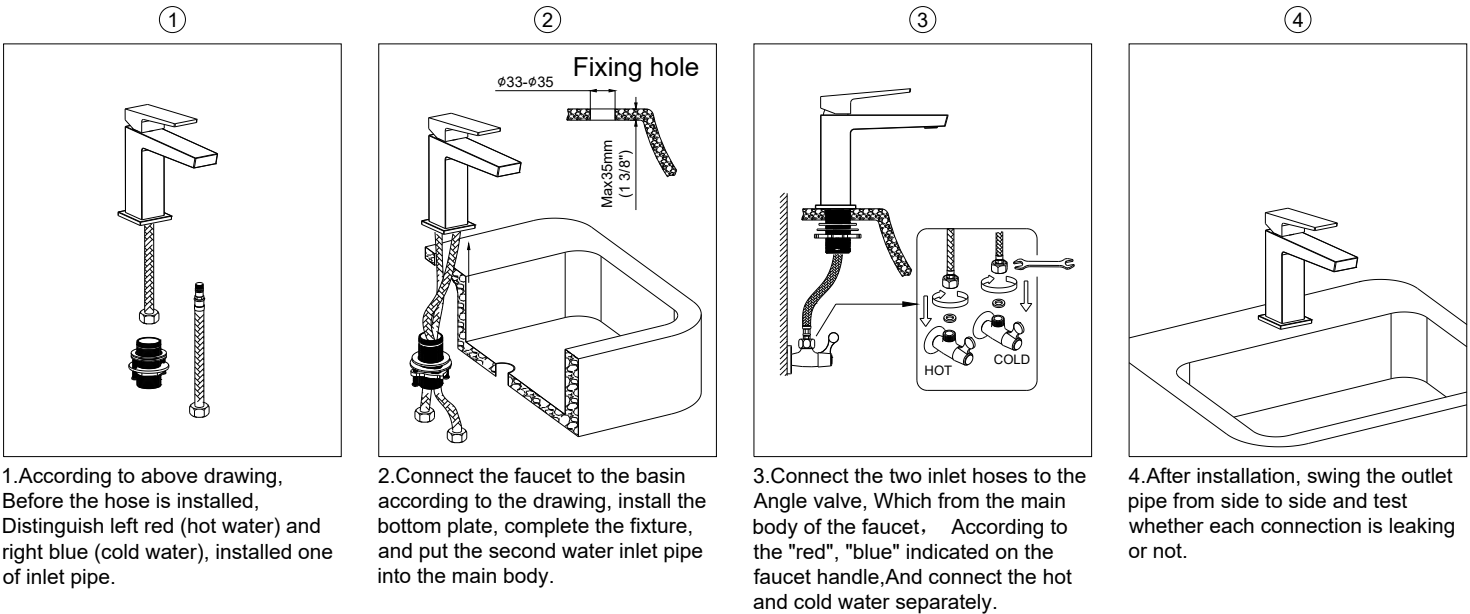
(1) Important tips

- 1.1 Pressure: under the pressure 0.1 ± 0.01 Mpa, Spout with attachment for Basin mixer, Sink & kitchen mixer, flow rate ≤ 0.1 L/S
- 1.2 Pressure: under the pressure $0.3 + 0.02$ Mpa, shower mixer, flow rate ≥ 0.33 L/S, basin mixer, bidet, sink & headshower, flow rate ≥ 0.15 L/S
2. Recommended water inlet temperature $4^{\circ} - 80^{\circ}$.

(2) Notes

1. Be sure to remove impurities and sludge from pre-buried pipes before installing faucets.
2. After installing the faucet, please check the joints whether are tightly connected and the pipe is leaking or not.
3. When using, pay attention to water hose should not be in torsion to avoid hose rupture.

(3) Installation Steps

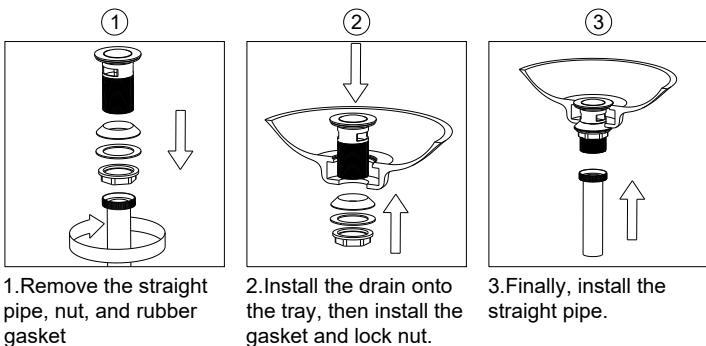


1. According to above drawing, Before the hose is installed, Distinguish left red (hot water) and right blue (cold water), installed one of inlet pipe.

2. Connect the faucet to the basin according to the drawing, install the bottom plate, complete the fixture, and put the second water inlet pipe into the main body.

3. Connect the two inlet hoses to the Angle valve, Which from the main body of the faucet. According to the "red", "blue" indicated on the faucet handle, And connect the hot and cold water separately.

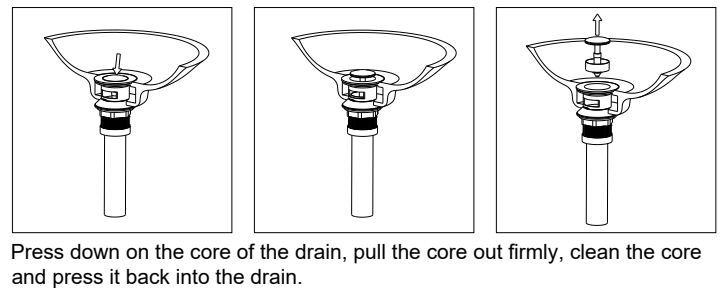
4. After installation, swing the outlet pipe from side to side and test whether each connection is leaking or not.



1. Remove the straight pipe, nut, and rubber gasket

2. Install the drain onto the tray, then install the gasket and lock nut.

3. Finally, install the straight pipe.

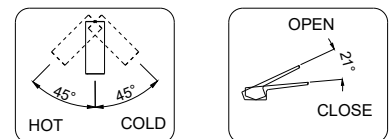


Press down on the core of the drain, pull the core out firmly, clean the core and press it back into the drain.

Maintenance

(1) To keep the surface of the faucet bright and clean, please clean the faucet regularly.

1. Clean with water frequently with Soft cotton cloth, colorless glass cleaner, do not have grind action.
2. Do not use acidic detergents, which can erode surface coatings.
3. Do not use cleaning powder or polishing powder containing coarse particles of detergent or nylon brush, in order to avoid wearing out products.
4. Under normal water pressure, When the water yield is reduced, Please clean the inlet and outlet water with a small brush after soaking with vinegar as shown.



spout working picture



picture I