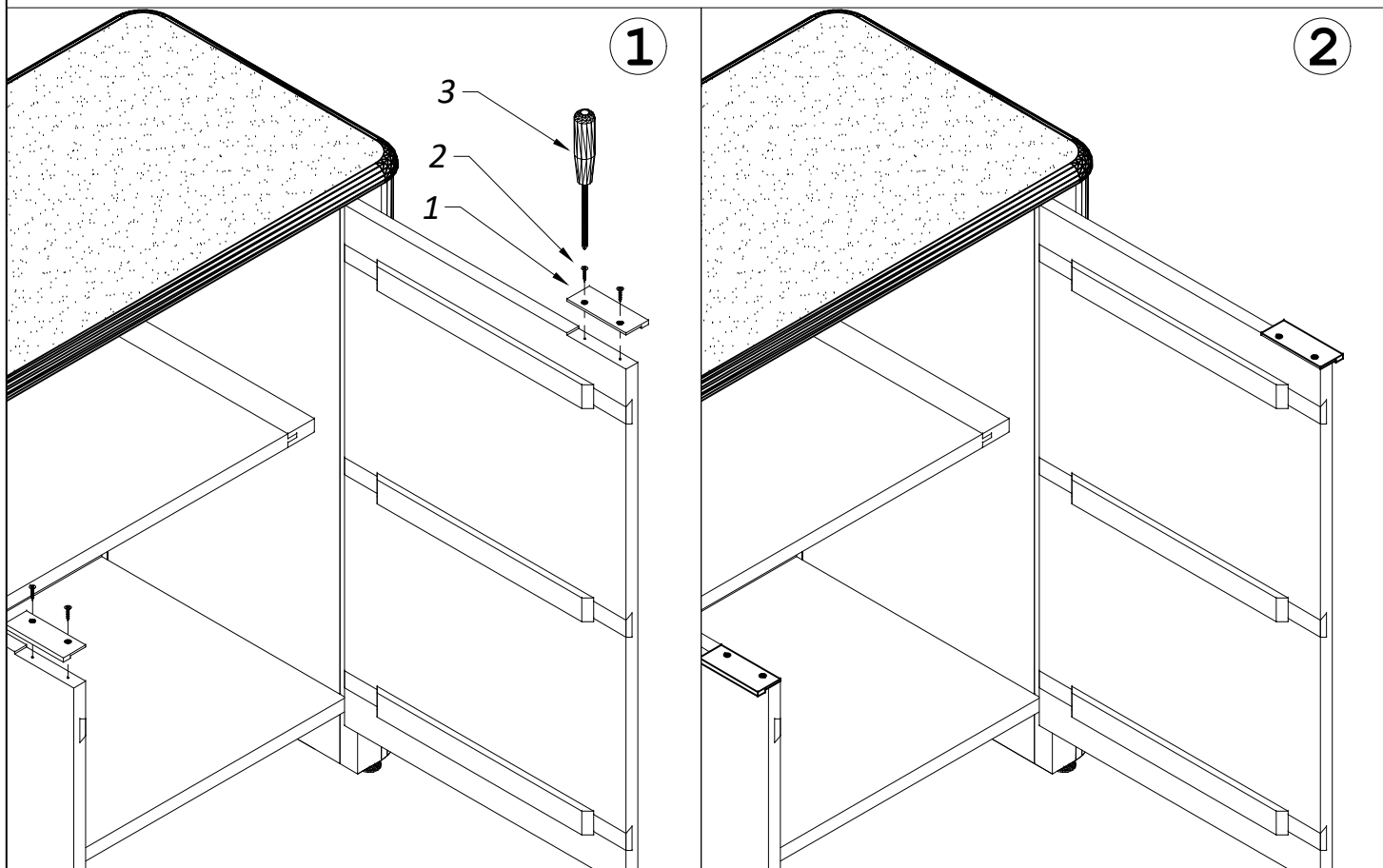


TATUM SMALL CABINET DOOR PULL ASSEMBLY INSTRUCTIONS



PARTS LIST

#	DESCRIPTION
1	HANDLE
2	PHILLIPS SCREW 8x1
TOOL REQUIRED	
#	DESCRIPTION
3	PHILLIPS SCREW DRIVER NOT INCLUDED

NOTE:
HANDLES ARE INTO
THE HARDWARE BAG.

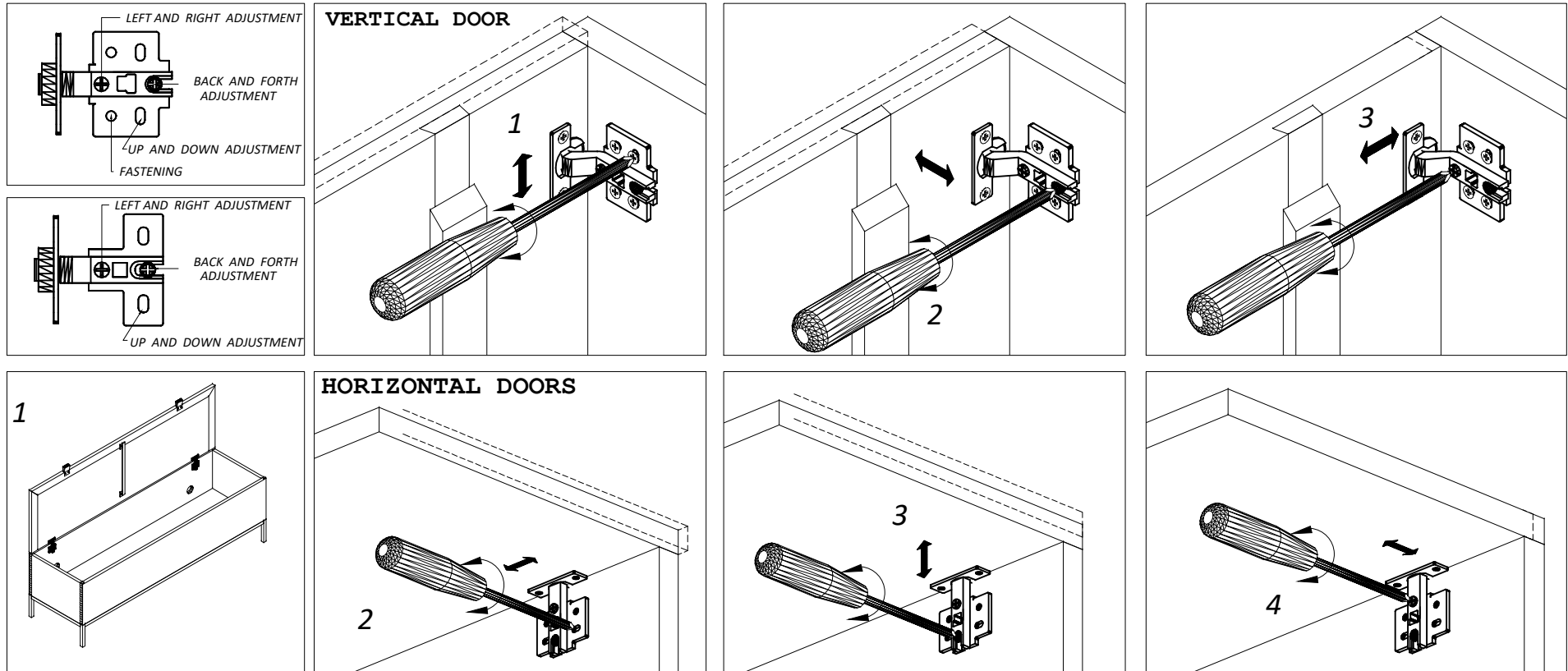
Adjusting Hinges

Your furniture has been expertly crafted and pre-adjusted by professionals. However, slight shifts can occur during transportation. If you notice that the doors are not perfectly aligned or the furniture wobbles, a quick adjustment can help ensure stability and a seamless look.

ADJUST THE HINGES (IF NECESSARY)

NOTE: OBSERVE WHICH TYPE OF HINGE MATCHES THE DIAGRAM FOR ADJUSTMENT.

- 1. Up and Down Adjustment:** To move the cabinet door higher or lower.
- 2. Left and Right Adjustment:** To shift the cabinet door sideways for alignment.
- 3. Back and Forth Adjustment:** To move the cabinet door closer to or farther from the cabinet frame.



TIPS FOR ADJUSTMENT:

These "adjustments" are not preset and will need to be checked to meet the desired look.

- * We recommend the use of a #2 Phillips Screwdriver.
- * Adjust in small steps and check your progress frequently.
- * Use a measuring tape to ensure the gaps between the top and bottom of the door are even.
- * Avoid forcing the door closed if it does not align properly, as this may damage the door.
- * If the alignment is still off, make further adjustment as needed.

By following these steps, you can achieve a balanced door alignment.

Adjusting Floor Levelers

Your furniture has been expertly crafted and pre-adjusted by professionals. However, slight shifts can occur during transportation. If you notice that the doors are not perfectly aligned or the furniture wobbles, a quick adjustment can help ensure stability and a seamless look.

Step 1: Adjust the Floor Levelers

- **Check for Stability**- Place the furniture in its final position on a level surface. If it wobbles or doesn't sit evenly, the floor levelers need adjusting.
- **Locate the Levelers**- These are small adjustable feet found at the bottom corners of your furniture.
- **Adjust as Needed**- Using your hand or a wrench, turn the levelers clockwise to raise or counterclockwise to lower the furniture. Make small adjustments and check stability after each turn.

