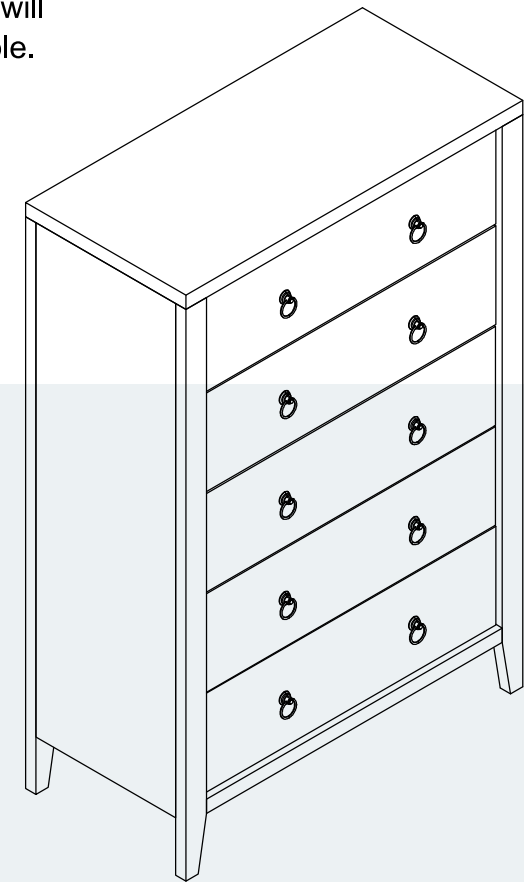


Bedroom Cabinet

Assembly Instruction - Please keep properly for future reference.

If you find any missing boxes, damaged parts, or accessory shortages, please contact the customer service team of your purchasing channel immediately. We will resolve the issue as quickly as possible.



SKU:
BJ11Z9-1C2A0
BJ11Z9-1C2B0

V1.0

EN

CONTACT US

• **Email:** service@grandtunnel.com

In order to receive assistance more quickly, please provide

THE FOLLOWING INFORMATION:

- Order number
- Purchase platform
- Purchase date
- Detailed description of the issue along with photos (if applicable)

Important – Please read these instructions carefully before starting the installation.

| Bedroom Cabinet

Before Assembly



Thank you for choosing our product!

To ensure a smooth installation process, please read this guide carefully to familiarize yourself with the required tools, materials, and installation steps. Follow the relevant sections to avoid any damage caused by improper installation, and make sure to review all operation and safety guidelines for correct installation procedures.

Packaging Notice:

If you find any missing boxes, damaged parts, or accessory shortages, please contact the customer service team of your purchasing channel immediately. We will resolve the issue as quickly as possible.

Safety and Care Advice



Important :

Please read these instructions fully before starting assembly.

- Check you have all the components and tools listed on the following pages.
- Remove all fittings from the plastic bags and separate them into their groups.
- Keep children and animals away from the work area, small parts could choke if swallowed.
- Make sure you have enough space to layout the parts before starting.
- During assembly do not stand or put weight on the product, this could cause damage.
- Assemble the item as close to its final position (in the same room) as possible.
- Assemble on a soft level surface to avoid damaging the unit or your floor.
- Parts of the assembly will be easier with 2 people.



- To reduce the likelihood of damaging your product please ensure that your power drill is set on a low torque setting.

Care and maintenance

- Only clean using a damp cloth and mild detergent, do not use bleach or abrasive cleaners.
- From time to time check that there are no loose screws on this unit.
- This product should not be discarded with household waste. Take to your local authority waste disposal center.

Handy Hints

- Assemble all parts and bolts loosely during assembly, only once the product is complete should you fully tighten the bolts.
- Regularly check and ensure that all bolts and fittings are tightened properly.

Warning

In order to help prevent overturning, please follow these instructions.

- Use the anti tip strap or wall fixing method provided (if applicable).
- Do not allow children to climb or hang on the furniture.
- Do not open more than one drawer at a time.
- Do not place heavy items in the top drawers.
- Do not place heavy items on top of the furniture, unless the furniture has been designed for this purpose.
- Please note that only the anti tip strap is provided. You will need to provide wall plugs and screws applicable for your wall type.

Customer Service Guide



Thank you for choosing our product! We are committed to providing you with excellent service. If you find any missing parts, damaged packaging, or product damage after receiving all packages, please follow the steps below to quickly contact our customer service team. We will do our best to resolve your issue.

1. Missing Parts

Verify Parts:

1. Refer to the “Parts List” in the manual to verify the name, specifications, and quantity of the missing parts.
2. Take a clear photo of the parts list and mark the missing parts with detailed information, e.g., “Missing 5 pieces of M6×30mm screws.”

Contact Us:

By Email:

Send an email to service@grandtunnel.com, with the subject line “Missing Parts Issue.” Include the following in the email:

- A description of the missing parts and a photo of the parts list.
- Order details (order number, purchase platform, purchase date).

2. Product or Packaging Damage

If it affects normal use:

Steps:

1. Take clear photos or videos showing the damaged parts and the extent of the damage (multi-angle shots are recommended).
2. Email the photos/videos along with order details to service@grandtunnel.com, with the subject line “Product Damage Issue.”

Resolution:

After verification, we will arrange for a replacement part, product exchange, or refund as quickly as possible.

If it does not affect normal use:

Steps:

1. Contact our customer service team (by email: service@grandtunnel.com).
2. Provide a description of the damage and include relevant photos or videos.

Resolution:

We will provide repair guidance or an appropriate compensation plan based on the specific situation.

Contact Us:

Customer Service Email: service@grandtunnel.com

Helpful Tips

To process your issue efficiently, please prepare the following information:

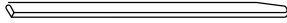
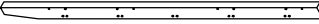
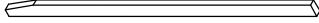

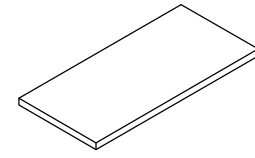
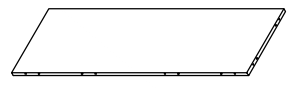
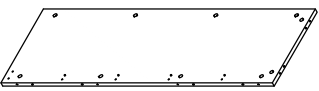
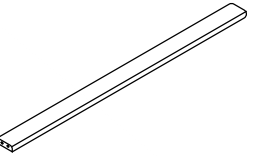
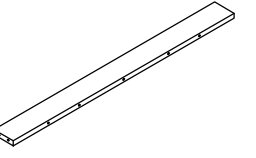
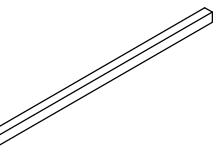

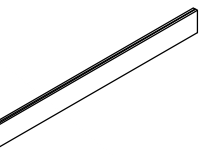
- Order details (order number, purchase platform, purchase date).
- Clear photos or videos.
- We are committed to providing quick and professional solutions, no matter the size of the issue, to ensure your satisfaction.

Thank you for your trust and support!
We hope you enjoy using our product!

Parts List



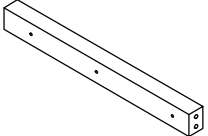
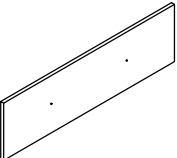
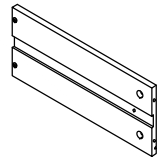
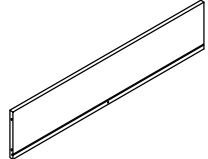
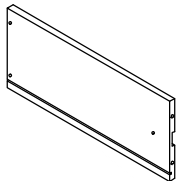
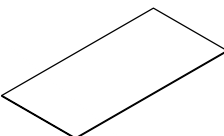
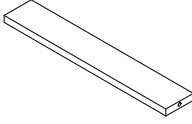
Please check you have all the panels listed below.

		
1 1205x50x25mm x1	2 1205x50x25mm x1	3 1205x50x25mm x1
		
4 1205x50x25mm x1	5 825x390x30mm x1	6 1084x340x15mm x1
		
7 1084x340x15mm x1	8 791x60x15mm x4	9 791x70x15mm x1
		
10 722x30x25mm x1	11 730x1023x3mm x1	12 723x70x15mm x1

Parts List



Please check you have all the panels listed below.

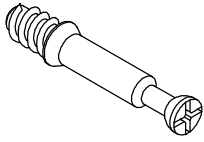
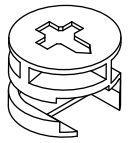
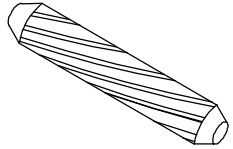
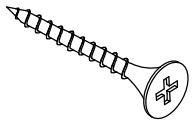

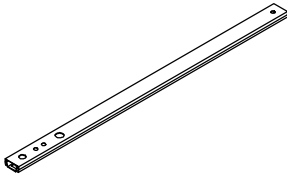
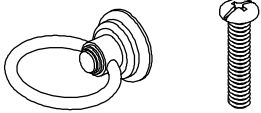
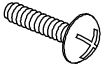

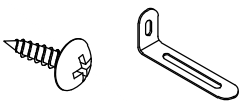

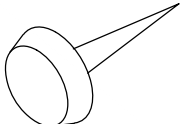
		
13 340x35x25mm x10	14 715x205x15mm x5	15 340x145x12mm x5
		
16 684x145x12mm x5	17 340x145x12mm x5	18 691x335x3mm x5
		
19 328x55x12mm x5		

Parts List - Fittings

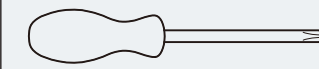


Please check you have all the fittings listed below.

Note: The quantities below are the correct amount to complete the assembly. In some cases more fittings may be supplied are required.

		
A x64	B x64	C \varnothing 6x30mm x70
		
D \varnothing 4x35mm x25	E \varnothing 3x12mm x30	F x10
		
G \varnothing 4x16mm x10	H \varnothing 4x10mm x10	J \varnothing 3x14mm x8
		
K \varnothing 4x12mm x2	L \varnothing 4x40mm x2	M x4

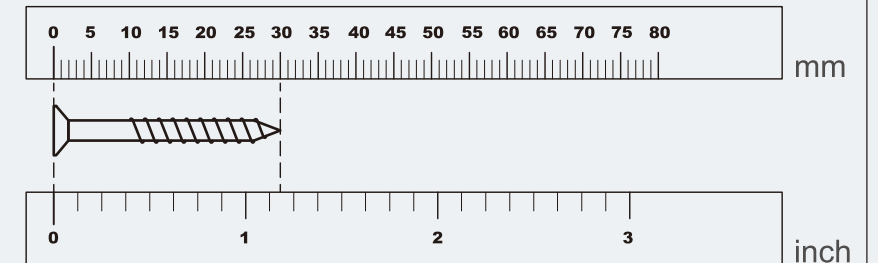
Tools required



Phillips screwdriver
(medium & large)

Ruler

Use this ruler to help correctly identify the screws



The screws length is measured from the head to the point (30mm screw shown).



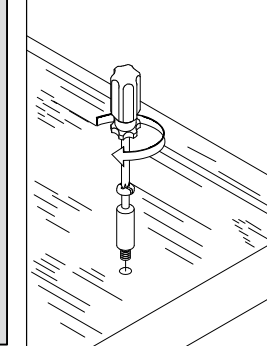
Using Camlocks

Step 1

Connect the male camlock as directed in the assembly instructions using a screwdriver.

1

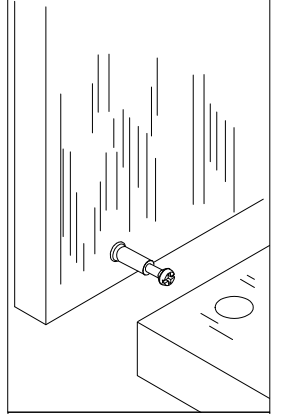
DO NOT OVER TIGHTEN.
NE PAS SERRER EXCESSIVEMENT.



Step 2

Push the male camlock into the entry hole.

2

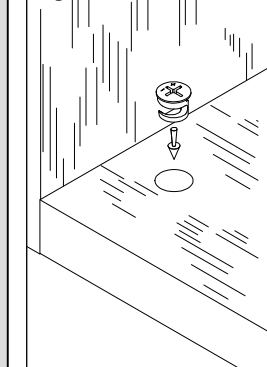


Step 3

Insert the female camlock as shown in the instruction.

Note: ensure that the arrow on the top of the camlock points towards the entry hole for the male camlock.

3



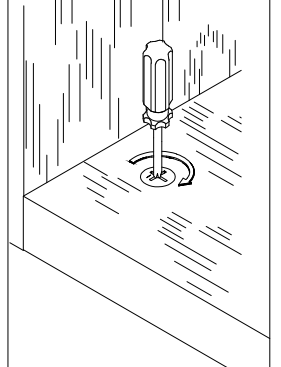
Step 4

Turn the female camlock clockwise with a screwdriver.

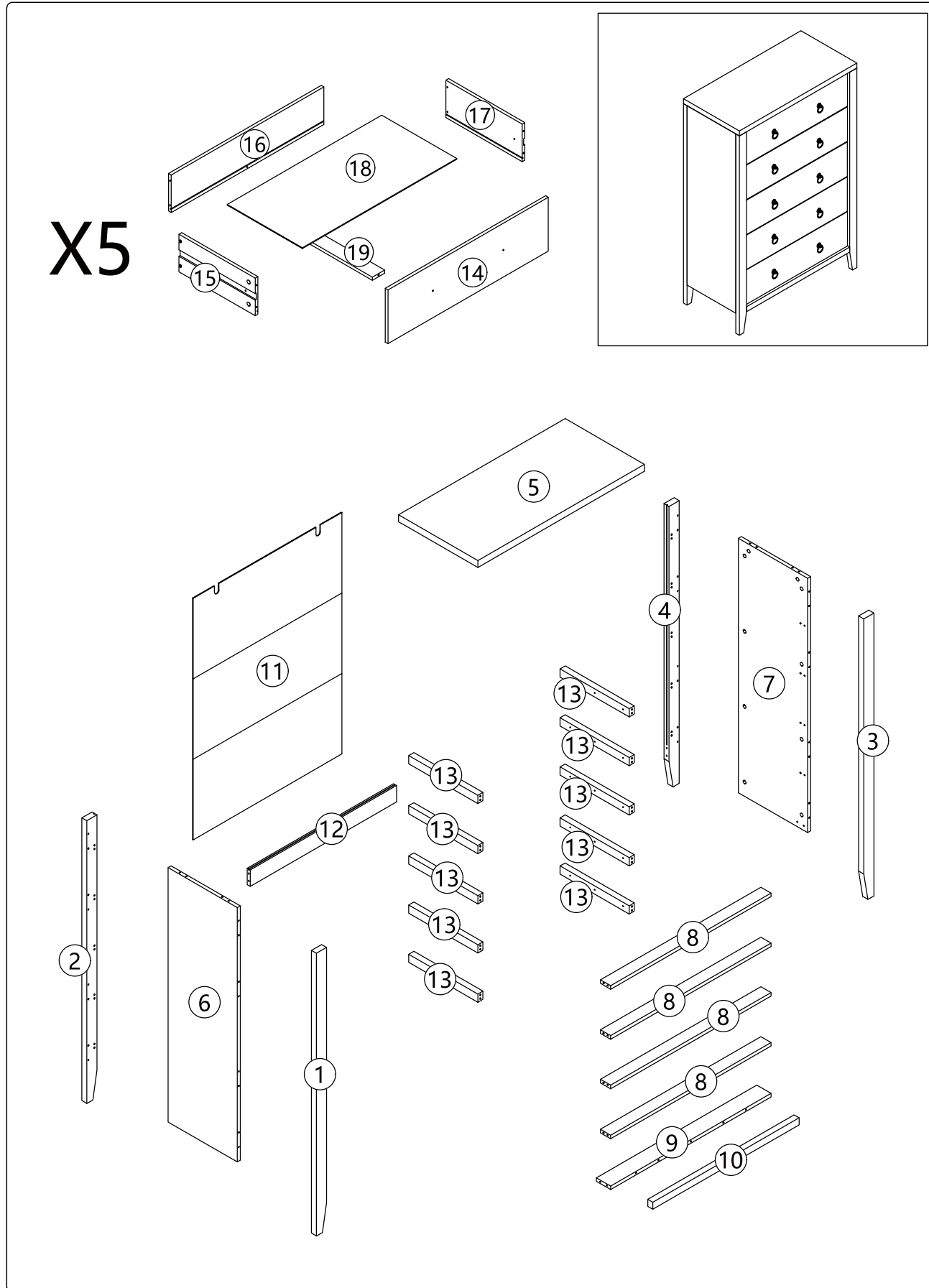
You should feel a click when the camlock is locked in place.

The joint is now secure.

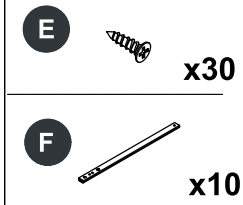
4



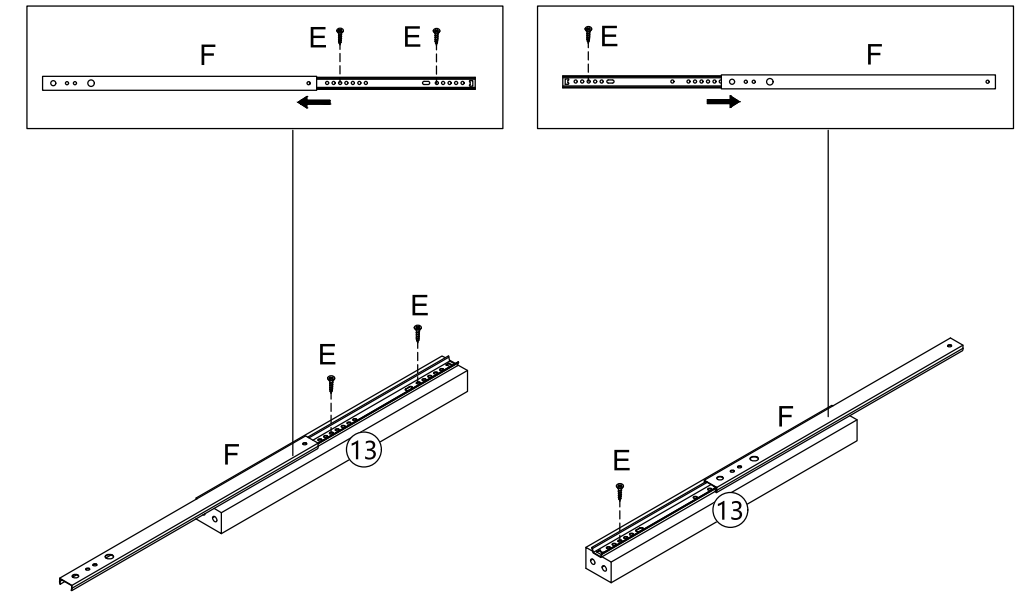
Assembly Instructions



Step 1



X10

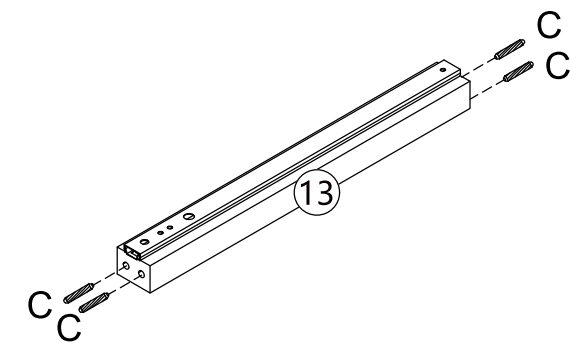


Place rail (F) onto part (#13) and secure it with screws (E).
Repeat this procedure for a total of 10 sets.

Step 2

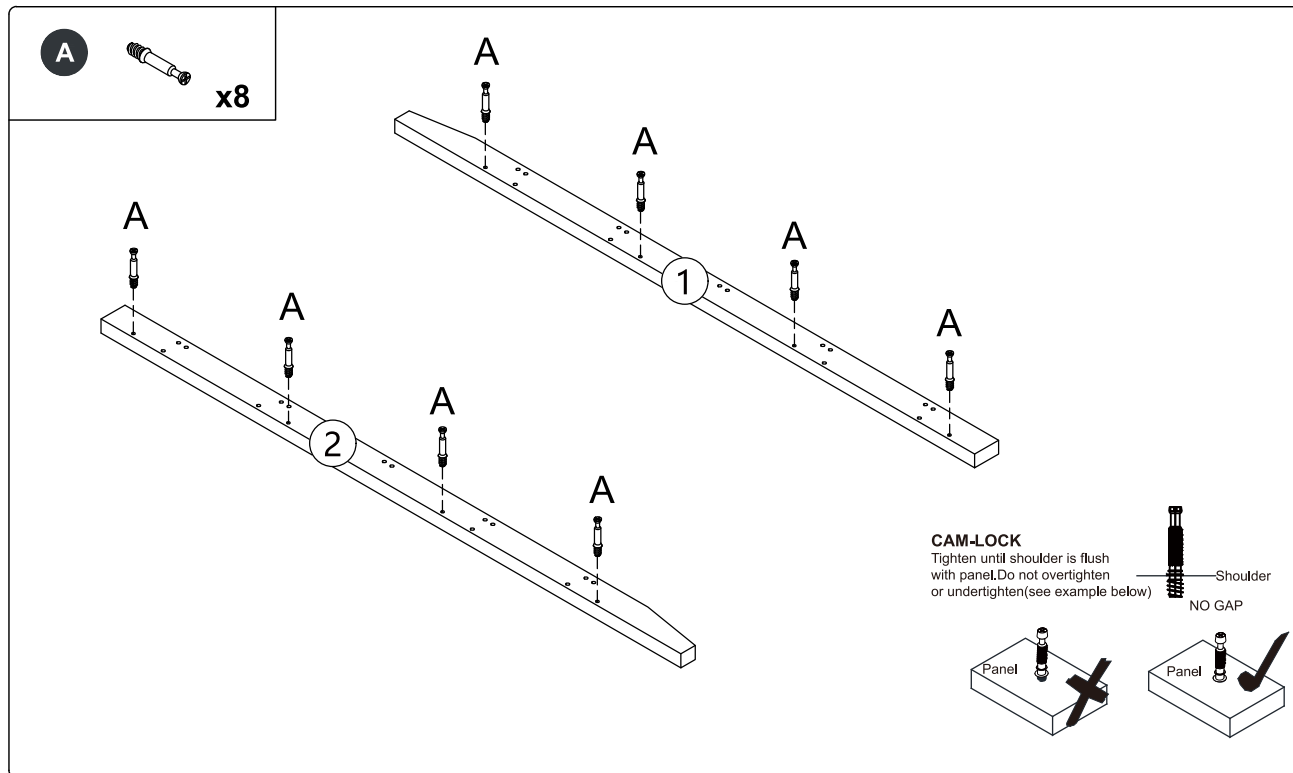


X10



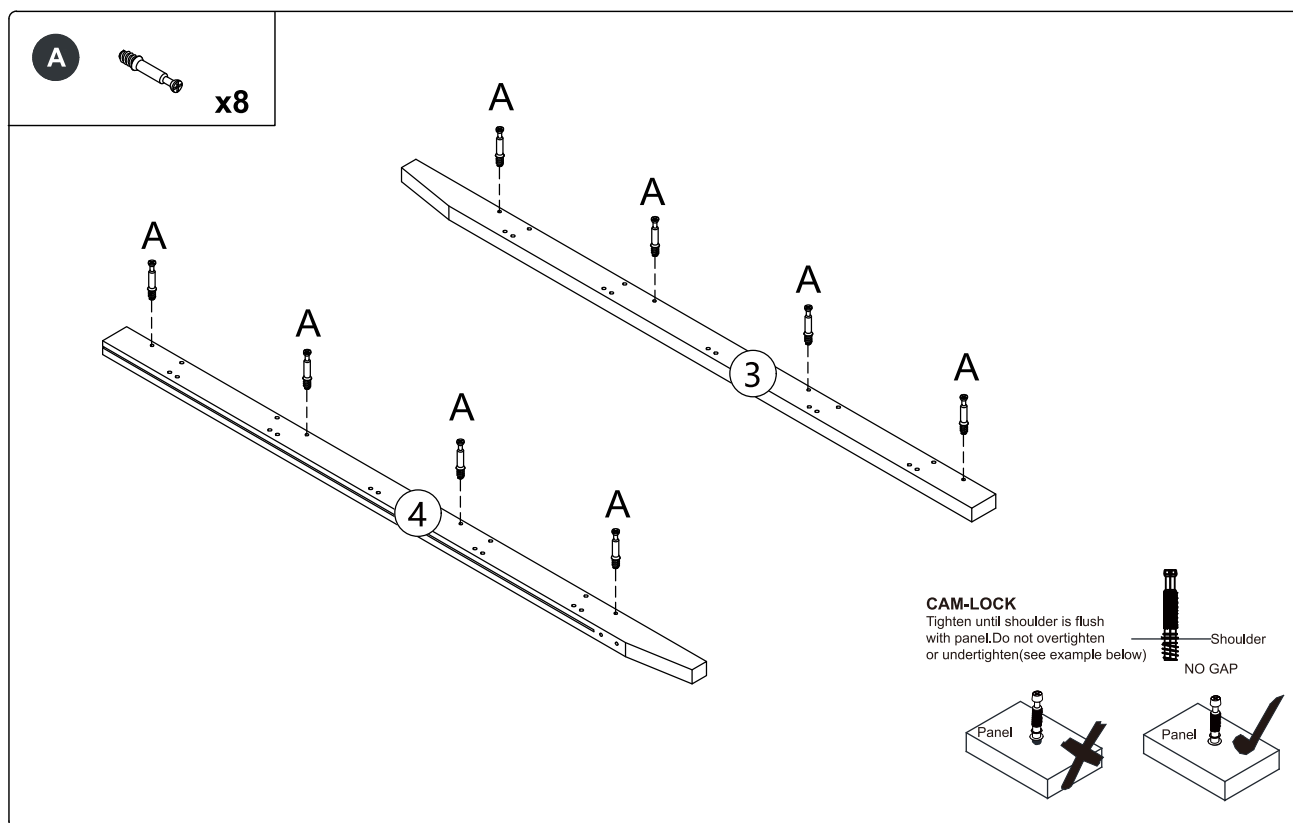
Insert dowels (C) into the holes at both ends of part (#13).
Repeat this procedure for a total of 10 sets.

Step 3



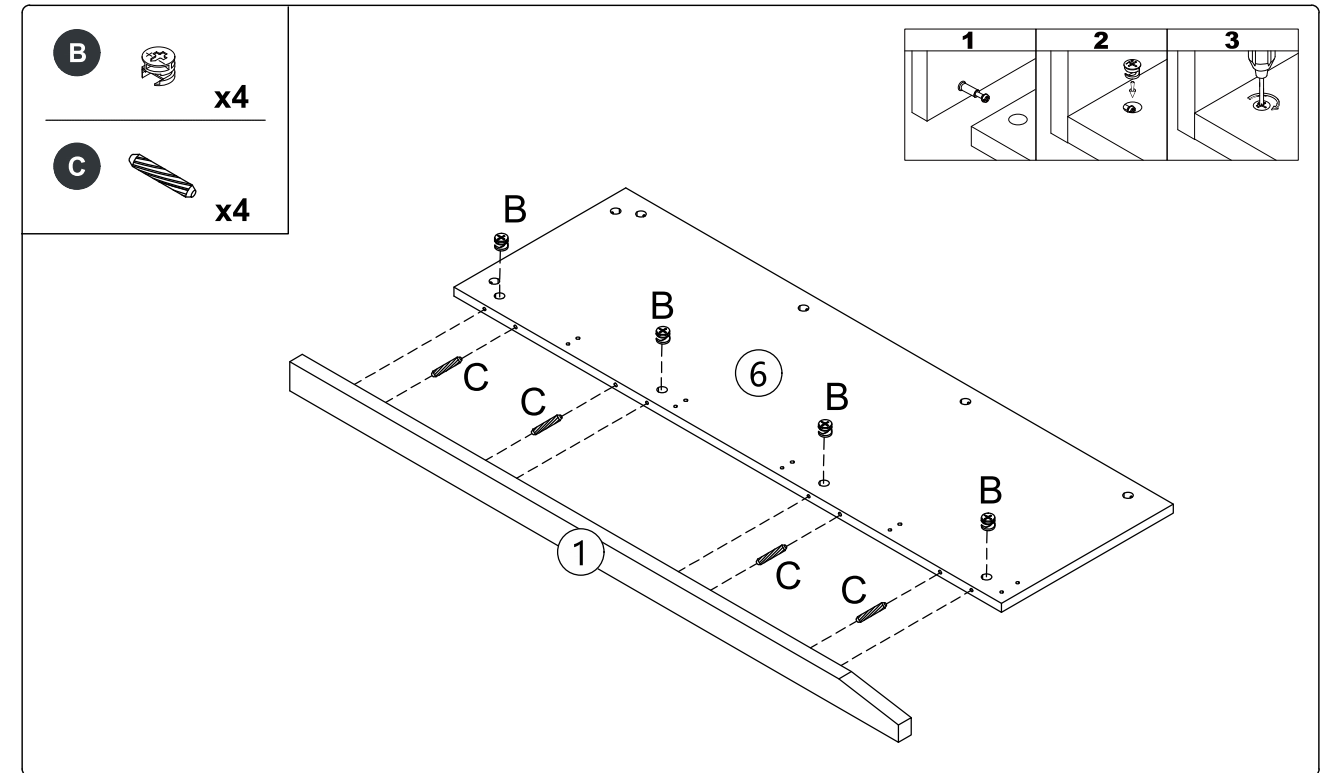
Screw hardware (A) into the holes of parts (#1) and (#2).

Step 4



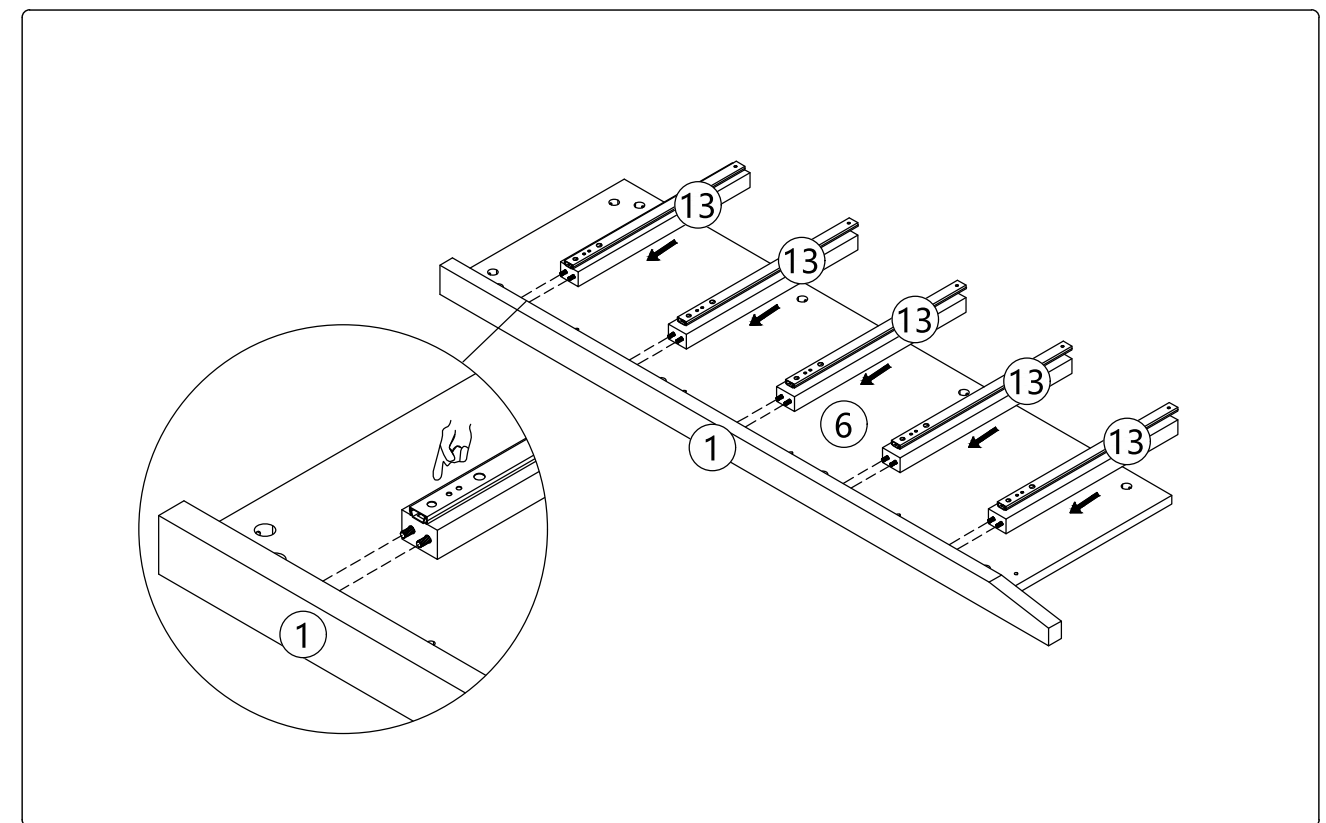
Screw hardware (A) into the holes of parts (#3) and (#4).

Step 5



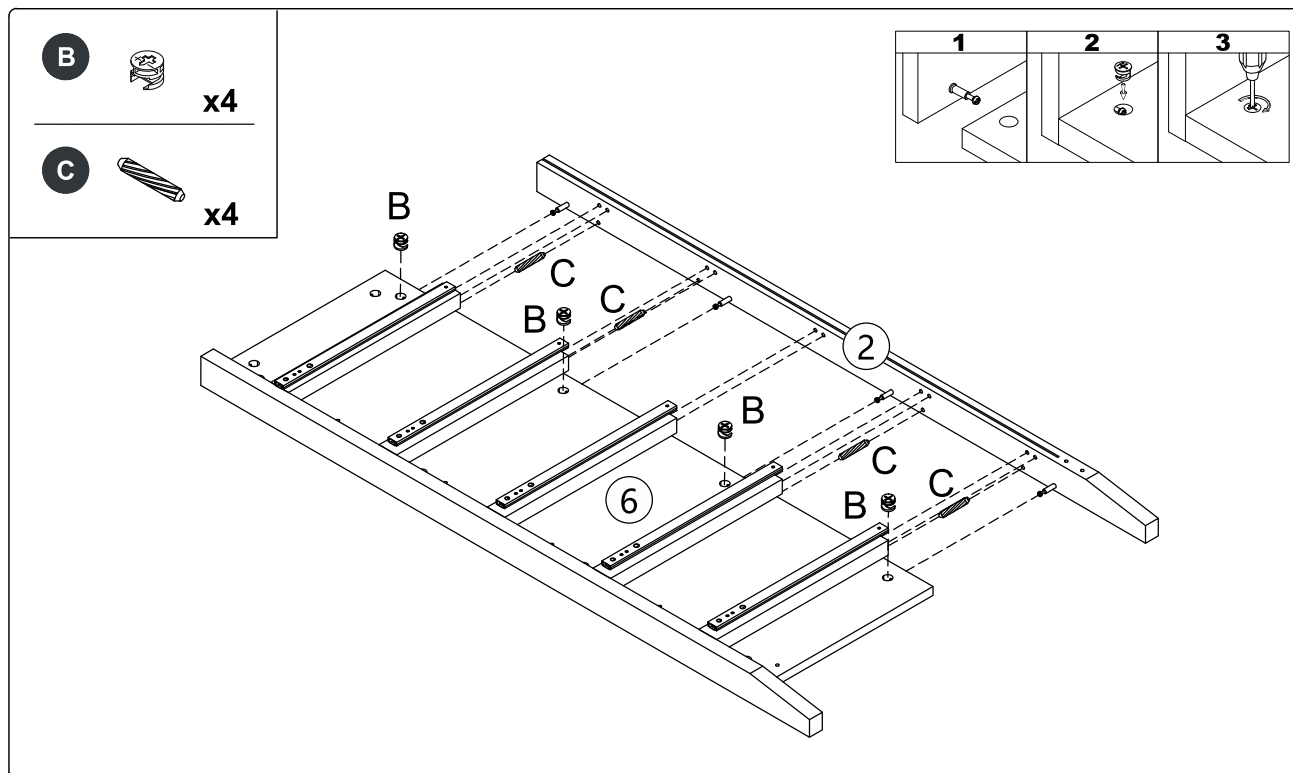
Connect parts (#1) and (#6) using dowels (C), then secure them with hardware (B).

Step 6



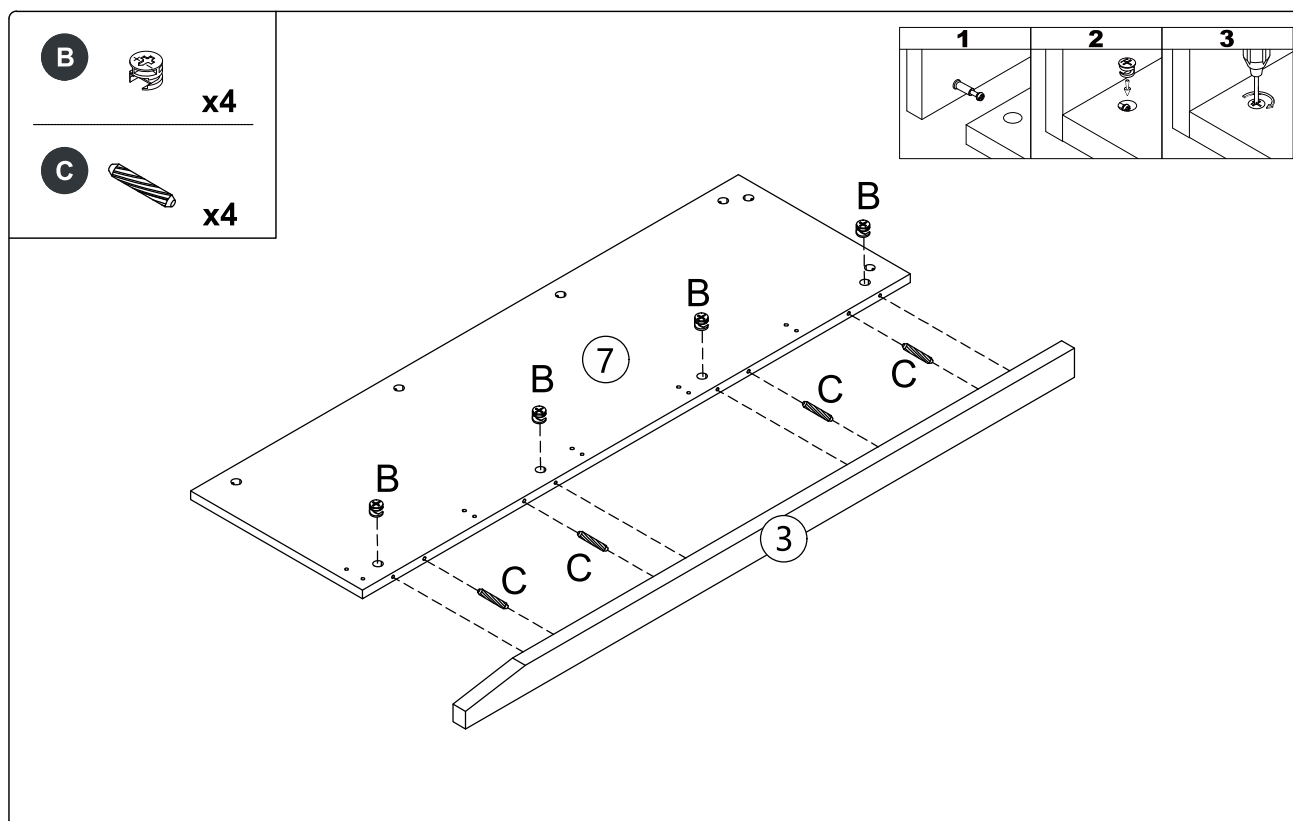
On part (#6), connect parts (#1) and (#13) following the arrow direction. Ensure that the side with more rail holes faces part (#1).

Step 7



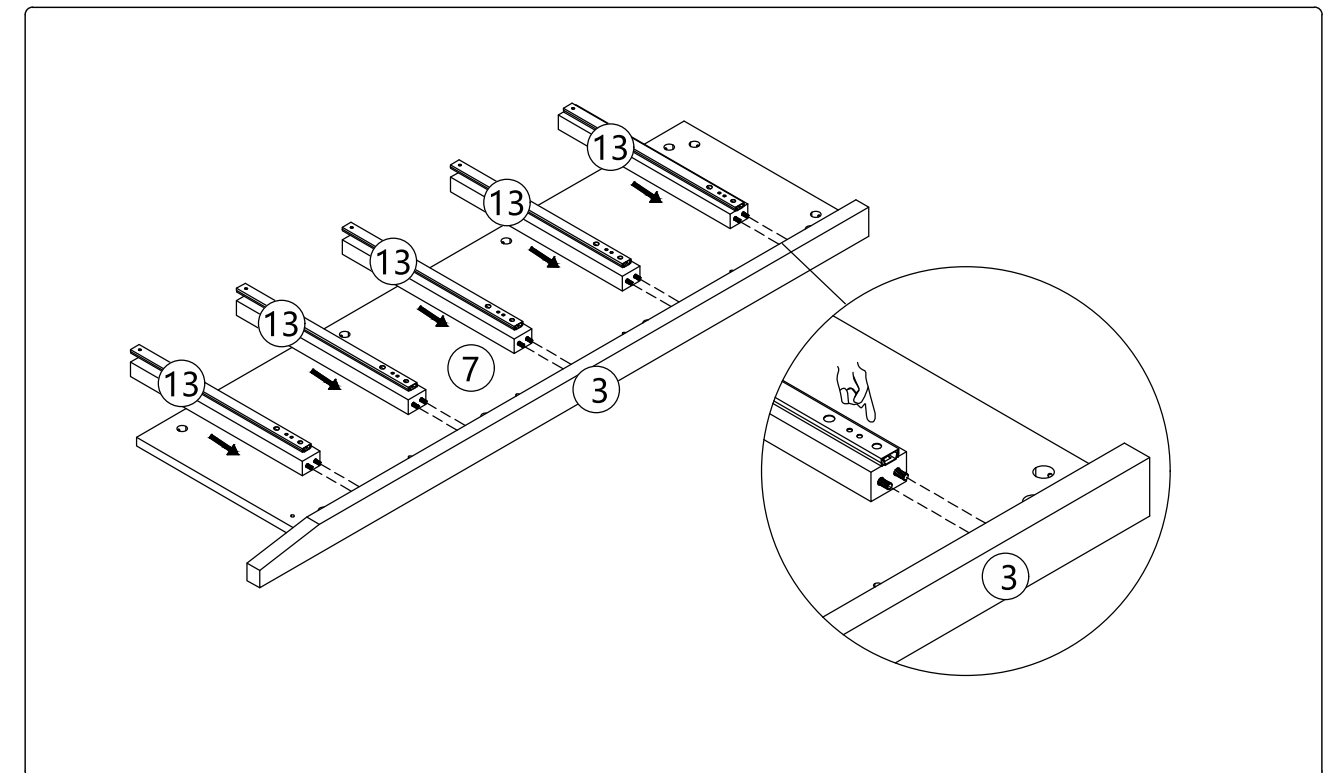
Connect parts (#2) and (#6) using dowels (C), then secure with hardware (B).

Step 8



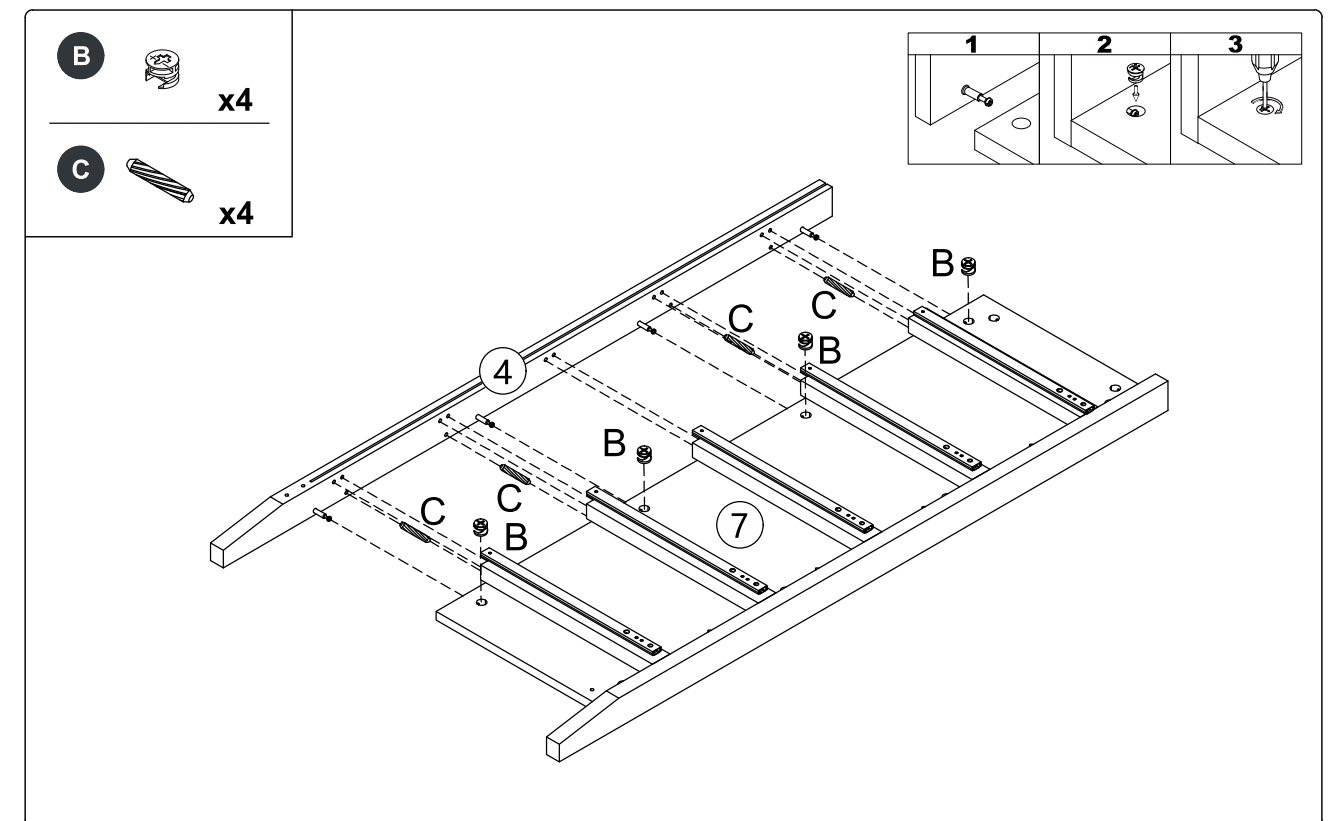
Connect parts (#3) and (#7) using dowels (C), then secure with hardware (B).

Step 9



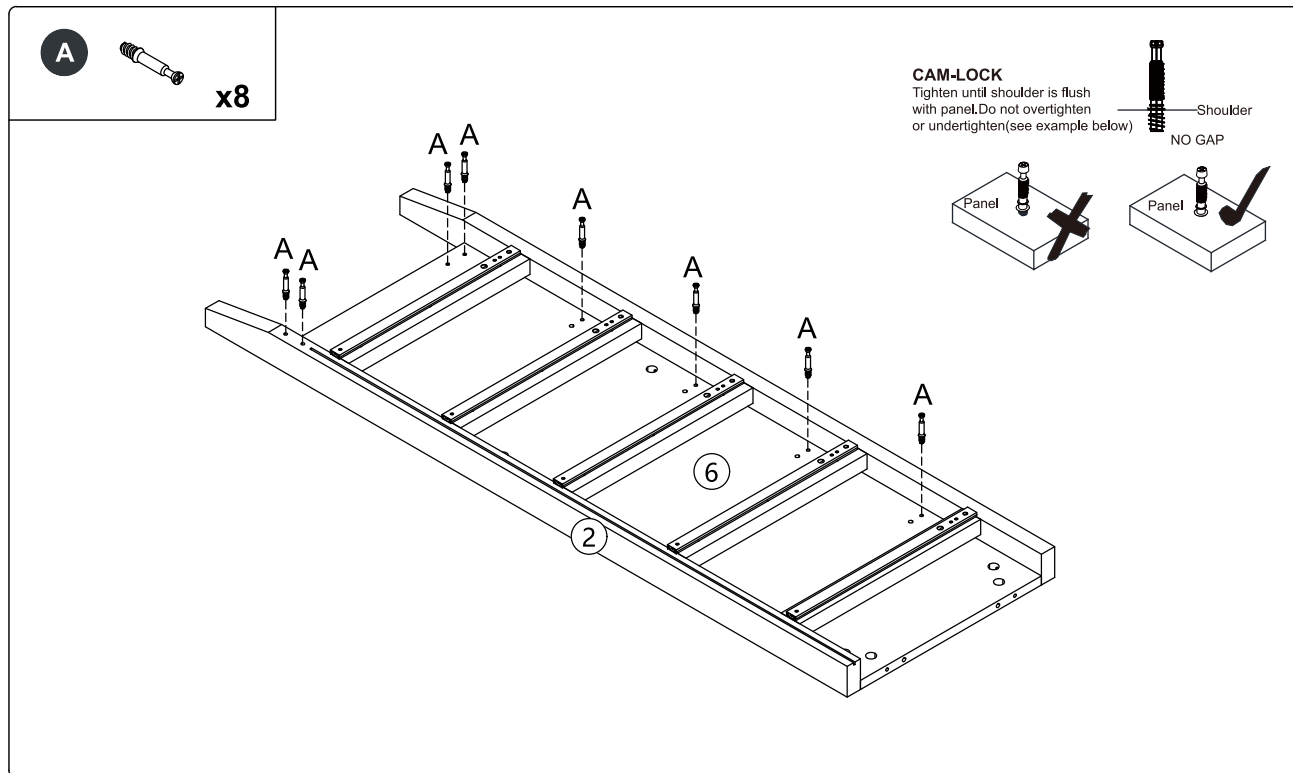
On part (#7), connect parts (#3) and (#13) following the arrow direction. Ensure that the side with more rail holes faces part (#3).

Step 10



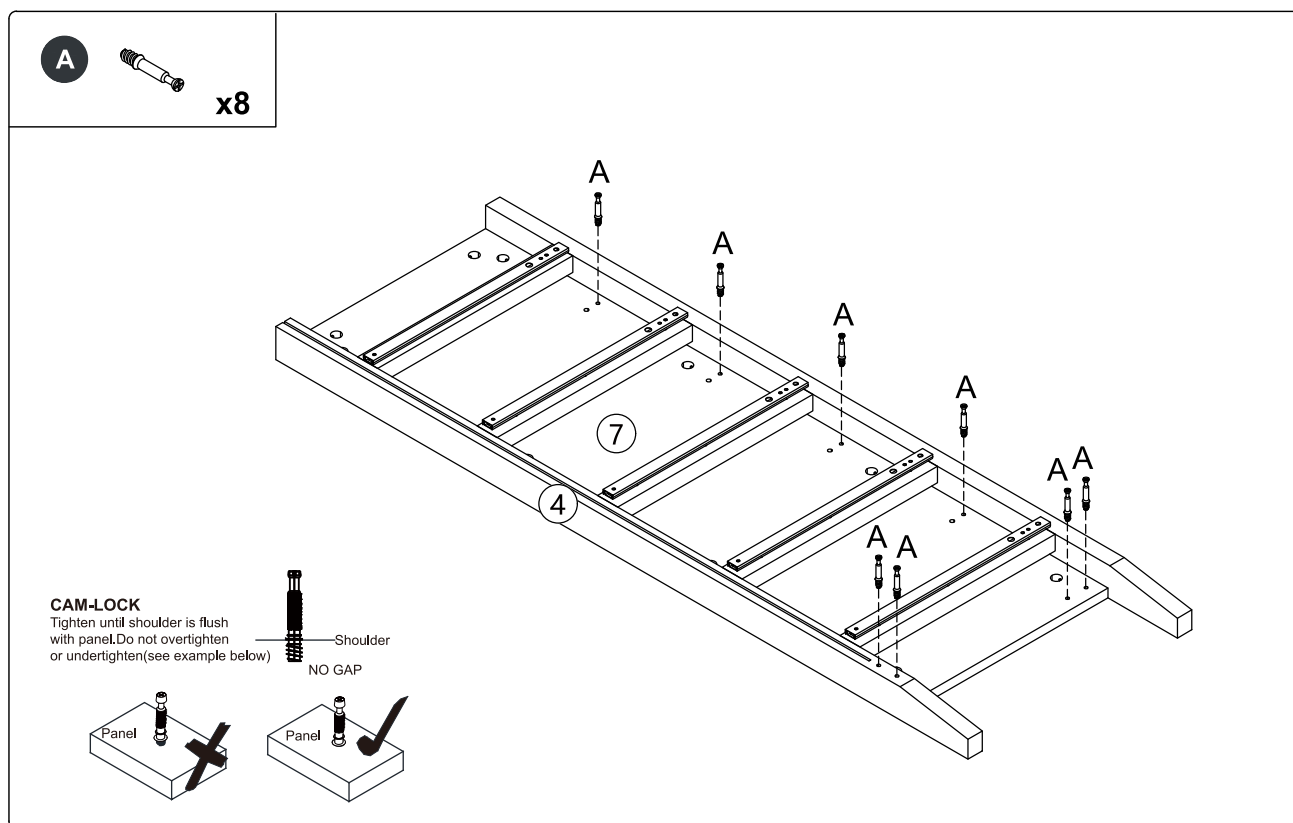
Connect parts (#4) and (#7) using dowels (C), then secure with hardware (B).

Step 11



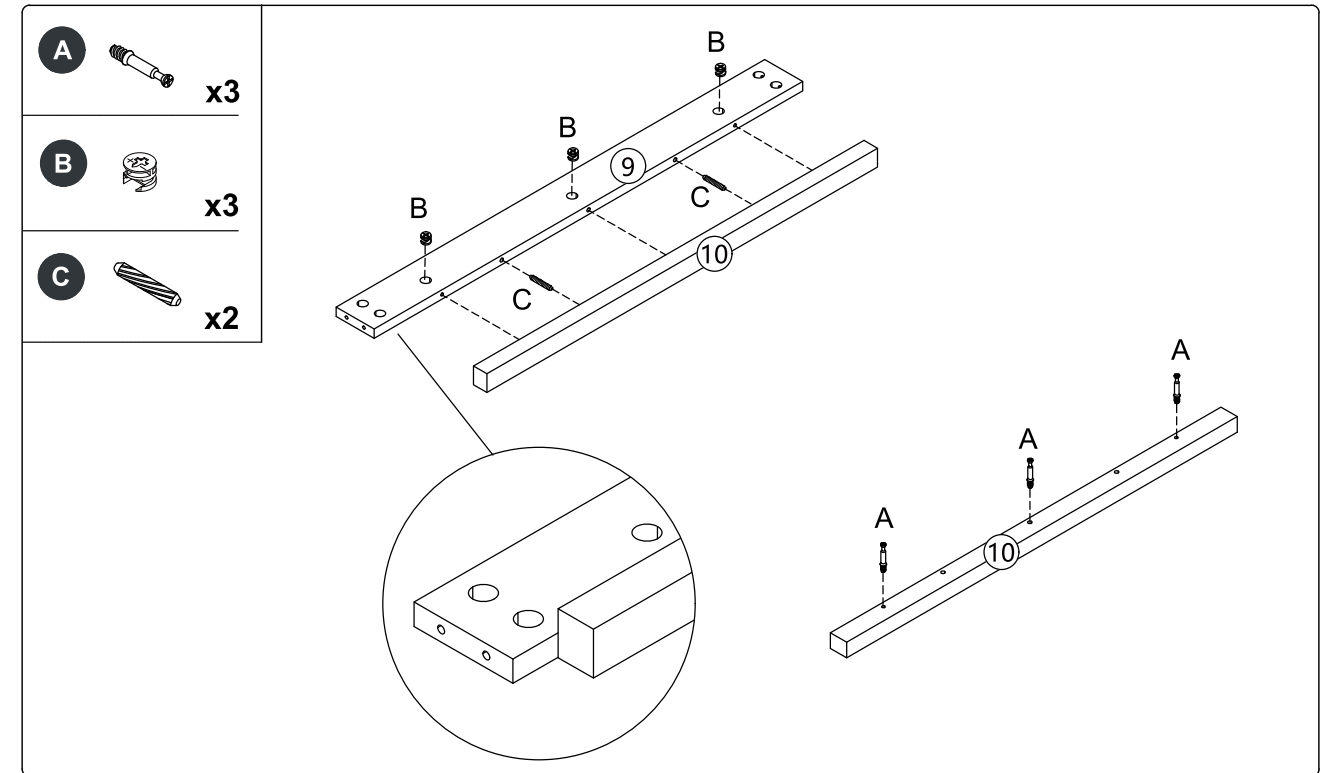
Screw hardware (A) into the holes of parts (#2) and (#6).

Step 12



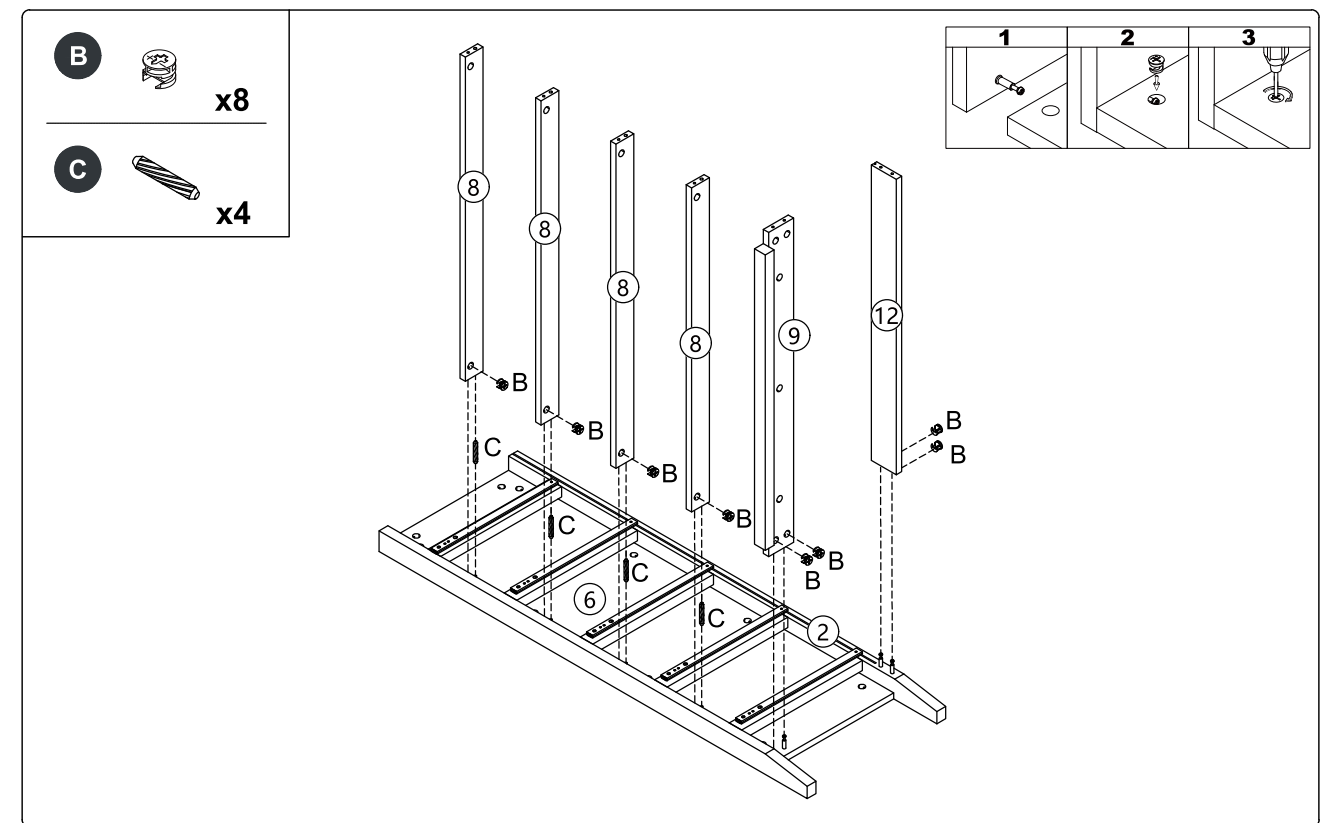
Screw hardware (A) into the holes of parts (#4) and (#7).

Step 13





Screw hardware (A) into the holes of part (#10).
Insert dowels (C) to connect part (#10) to part (#9), then secure with hardware (B).

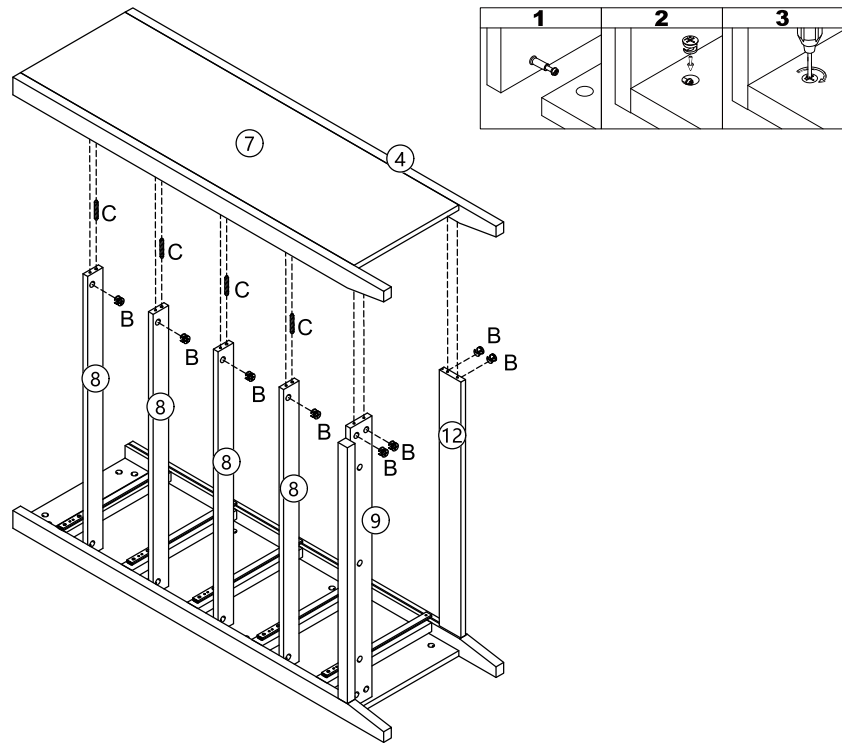
Step 14



Insert dowels (C) into part (#8). Connect parts (#8), (#9), and (#12) to parts (#2) and (#6).
Secure all connections with hardware (B).


Step 15

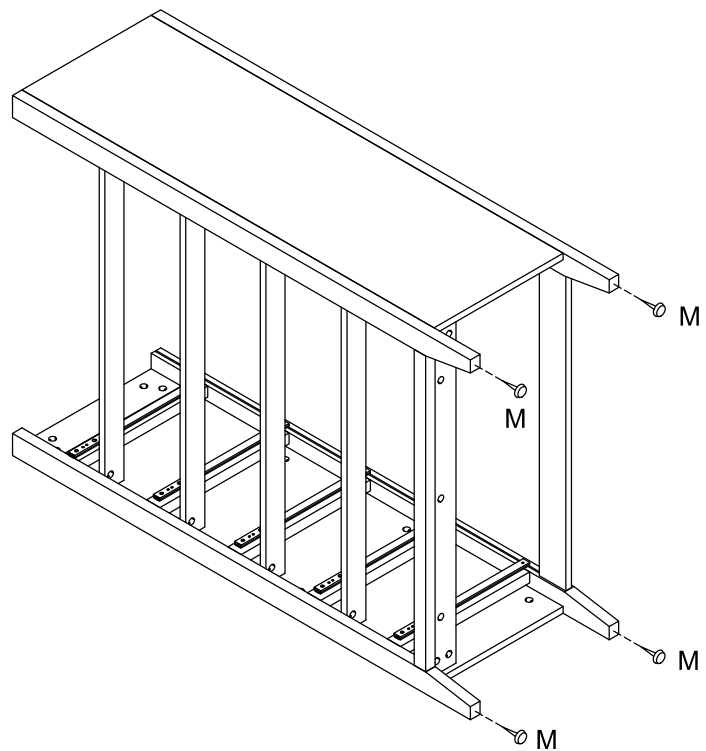
- B**  x8
- C**  x4



Insert dowels (C) into part (#8). Connect parts (#8), (#9), and (#12) to parts (#4) and (#7). Secure all connections with hardware (B).

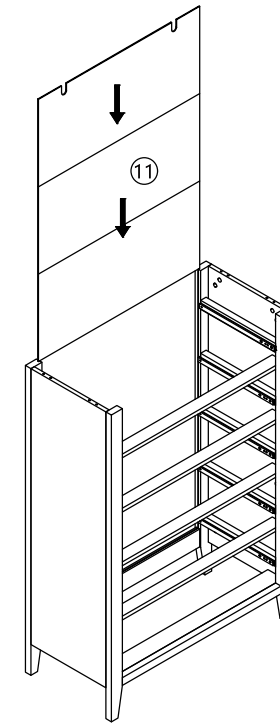
Step 16

- M**  x4





Tap foot pegs (M) into the bottoms of all four legs.

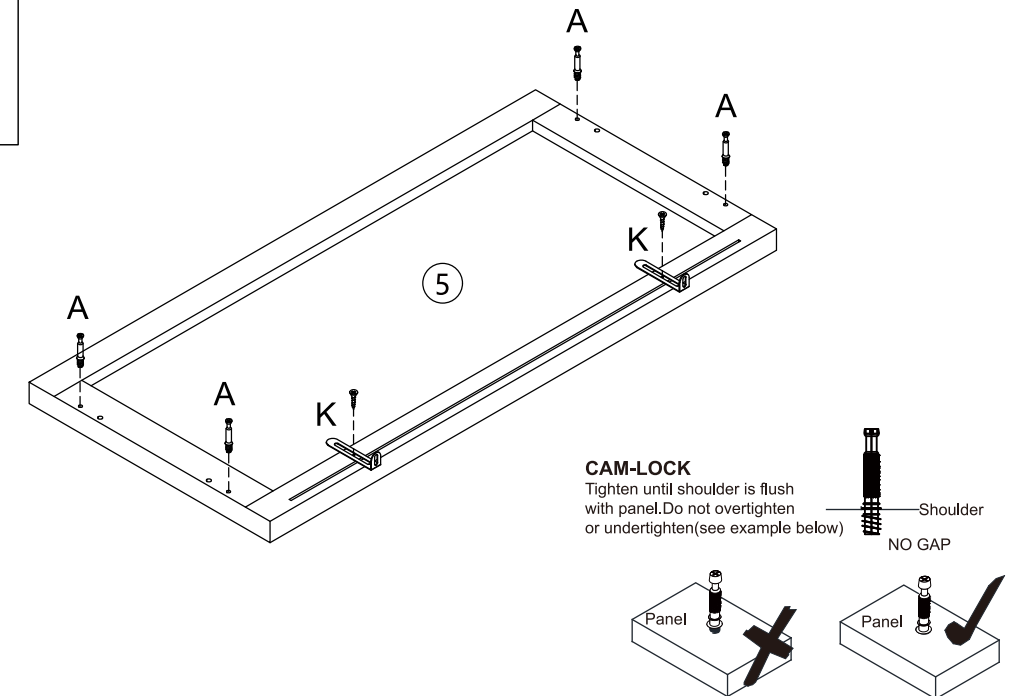
Step 17



Insert part (#11).

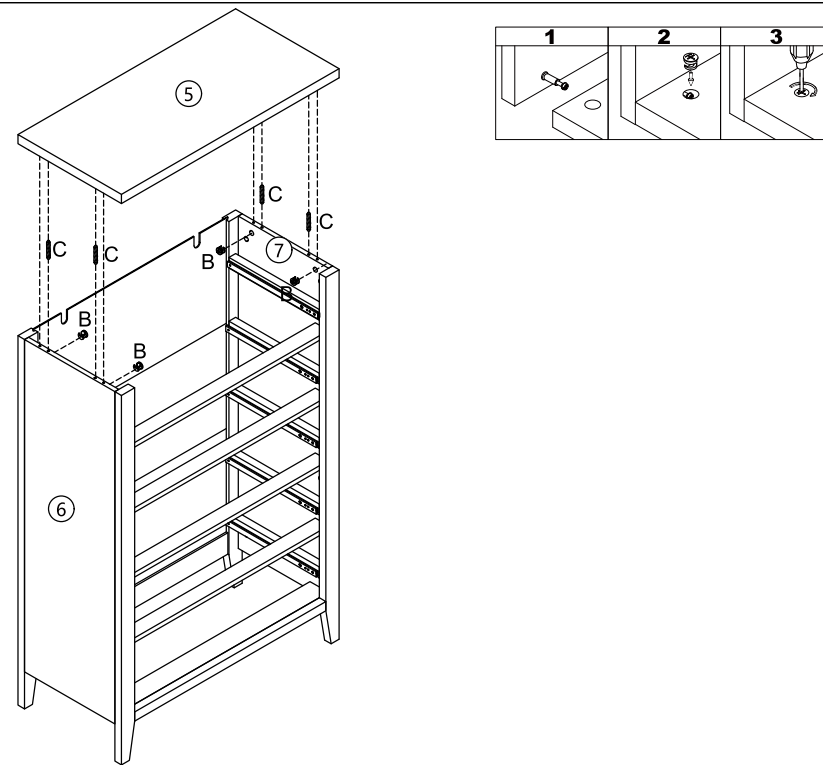
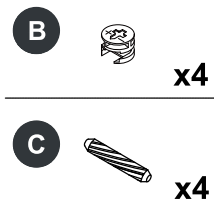
Step 18

- A**  x4
- K**  x2



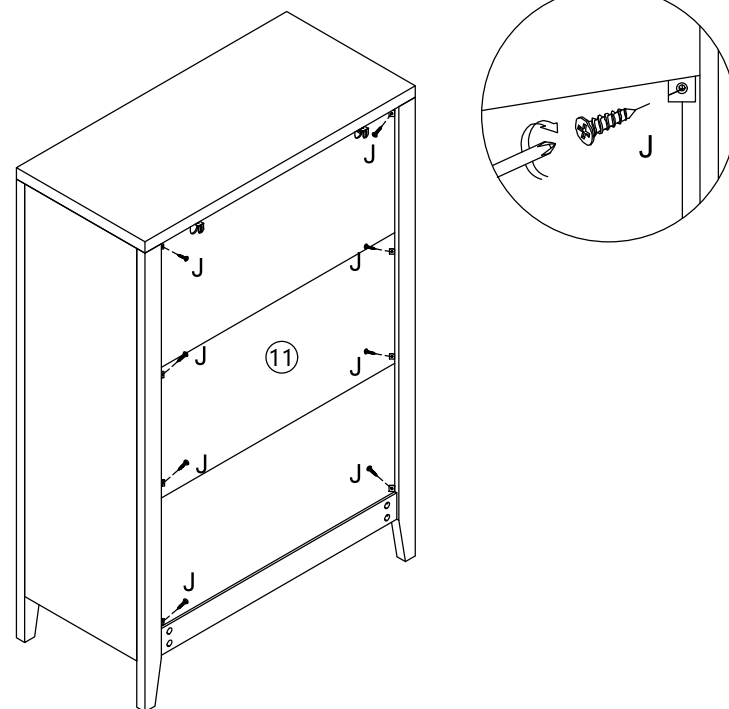
Screw hardware (A) into the holes of part (#5). Use screws (K) to install the anti-tipping metal plate (L).

Step 19



Insert dowels (C) into parts (#6), (#7), and (#5).
Connect all parts together and secure with hardware (B).

Step 20

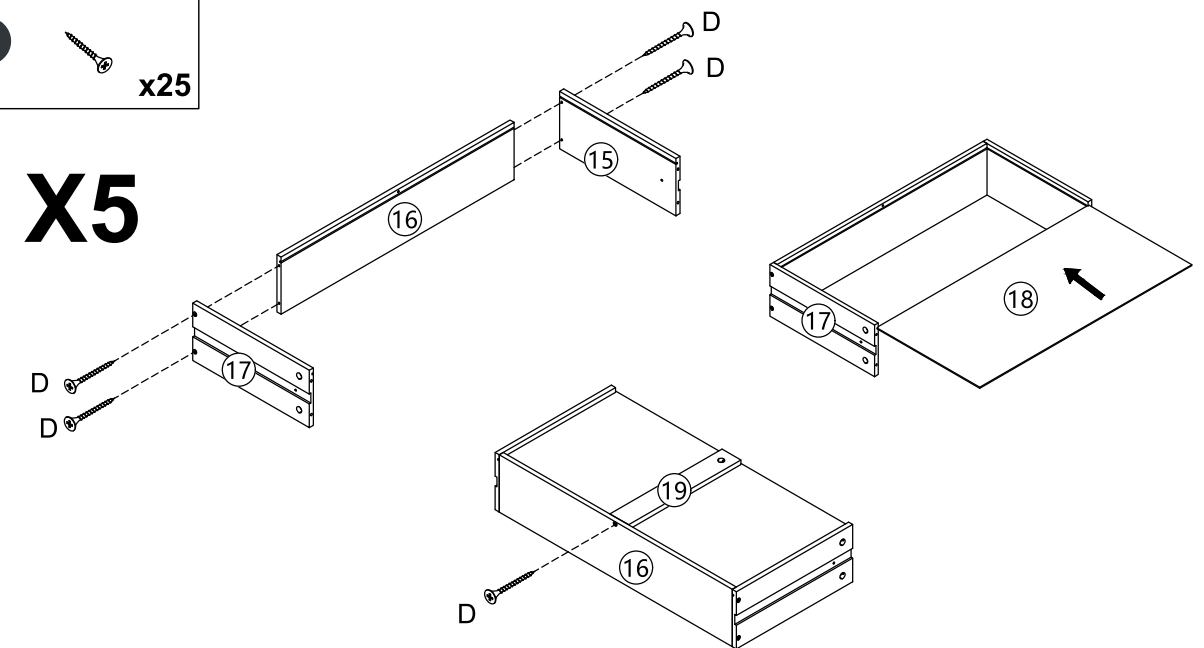


Use screws (J) to secure the white clips to part (#11), fixing the back panel in place.

Step 21

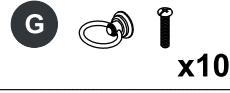


X5

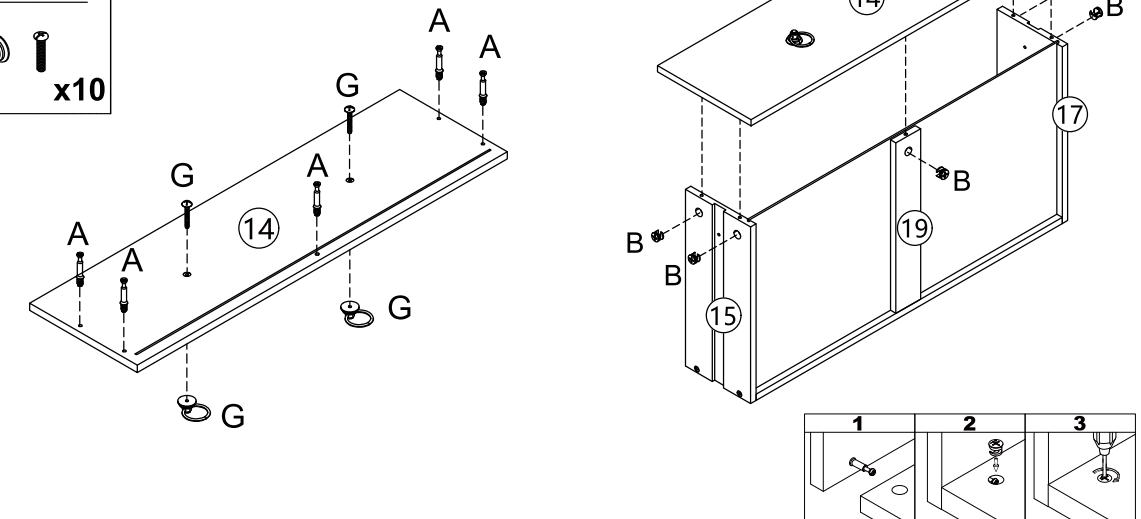


1. Use screws (D) to connect parts (#15), (#16), and (#17), then secure them.
2. Insert part (#18).
3. Use screws (D) to connect parts (#16) and (#19), then secure them.
4. Repeat this entire step for a total of five sets.

Step 22

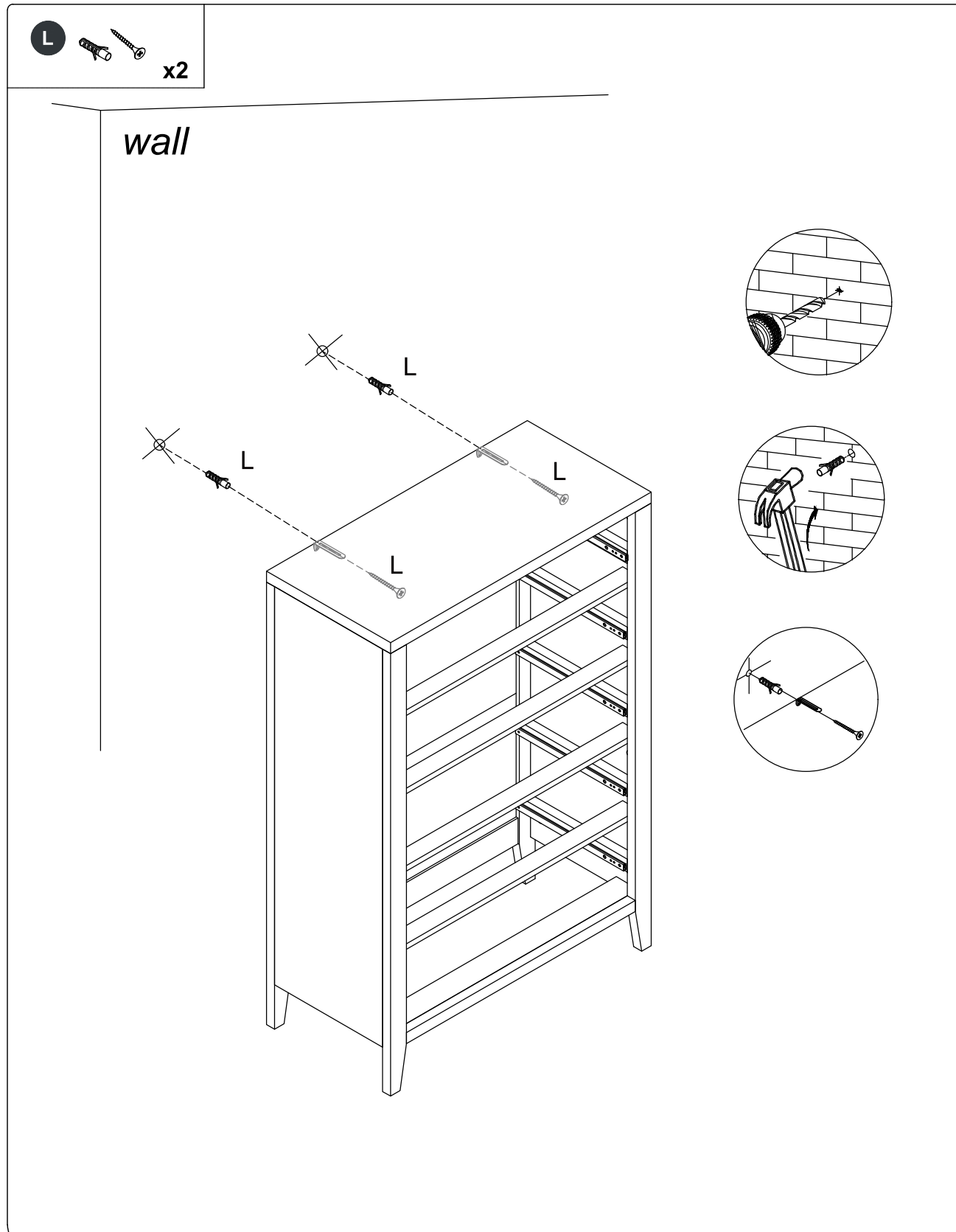


X5



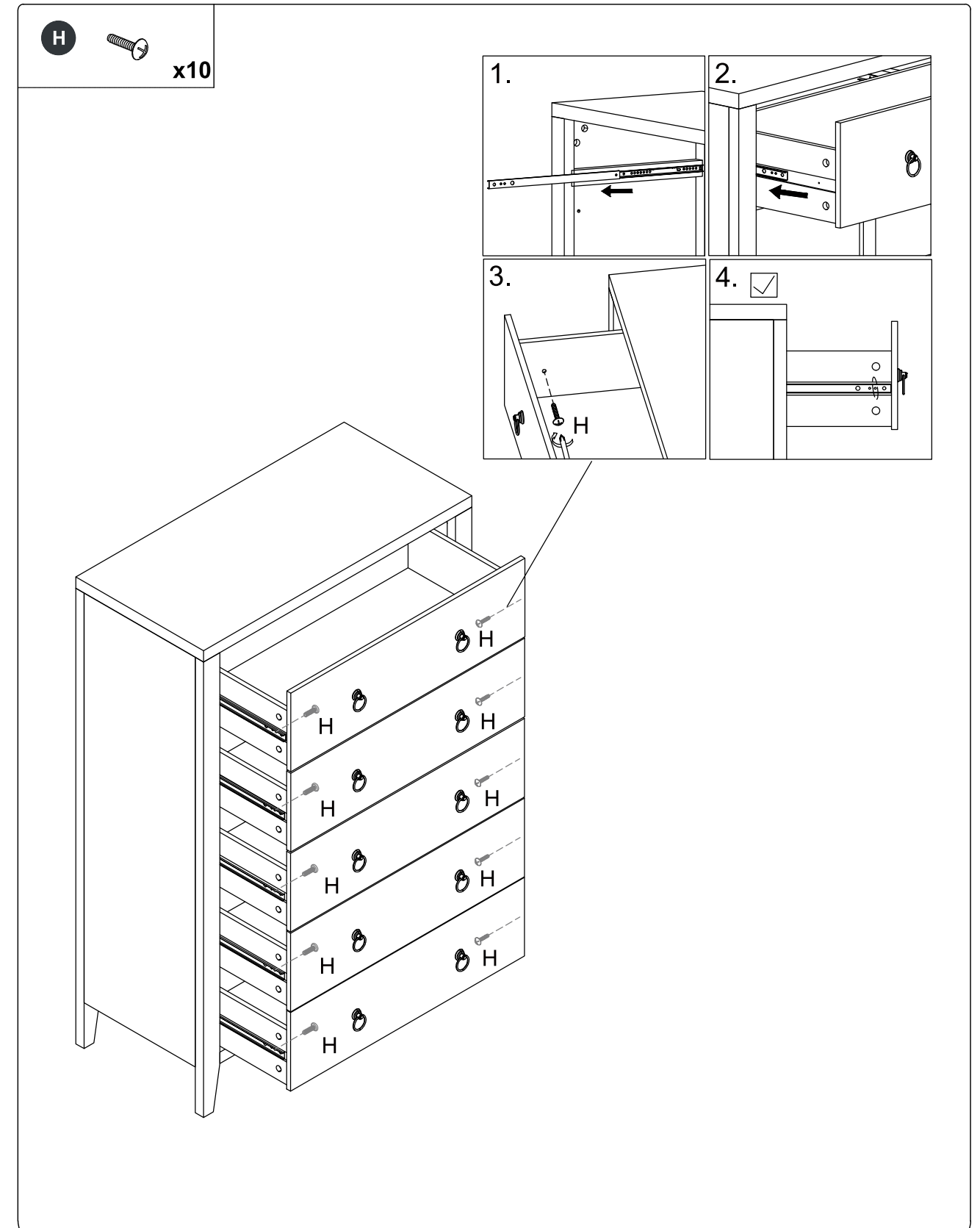
1. Screw hardware (A) into the holes of part (#14).
2. Install the handle using screws (G) in the center hole.
3. Connect parts (#14), (#15), (#17), and (#19), then secure with hardware (B).
4. Repeat this entire step for a total of five sets.

Step 23



1. Drill holes in the wall.
2. Insert expansion plugs into the wall.
3. Use screws (L) to secure the cabinet firmly to the wall.

Step 24



1. Pull out the drawer rail. Slide the groove on the side of the drawer into the drawer rail.
2. Use screws (H) to secure the rail from the inside of the drawer outward.
3. Rail holes are counted from right to left—use the second hole.

Step 25



Assembly is complete