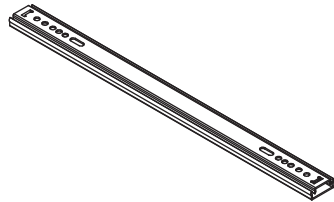
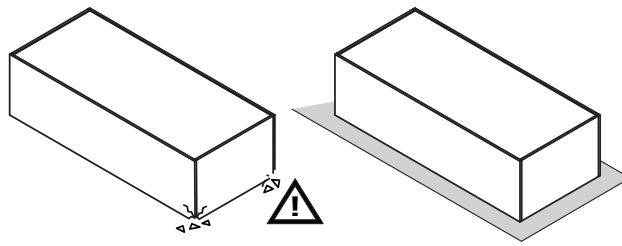
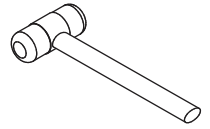
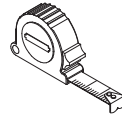
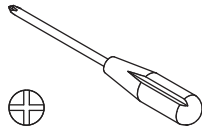
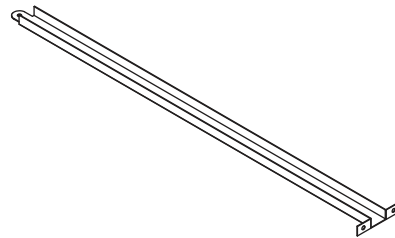




1,5h



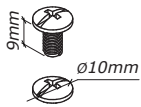
**A34**  
x6



**W420**  
x3



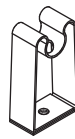
**H54**  
x12



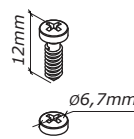
**V38**  
x6



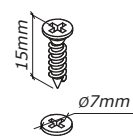
**T98**  
x6



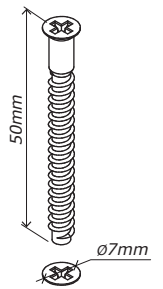
**H89**  
x4



**V98**  
x13



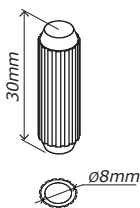
**V5**  
x26



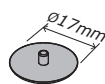
**V130**  
x12



**T67**  
x4



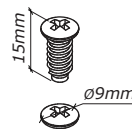
**H1**  
x4



**G136**  
x6



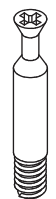
**R56**  
x2



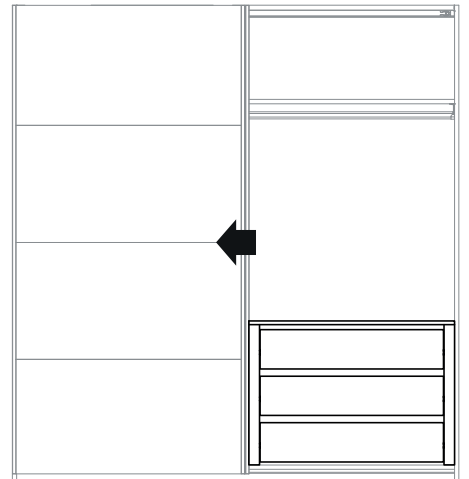
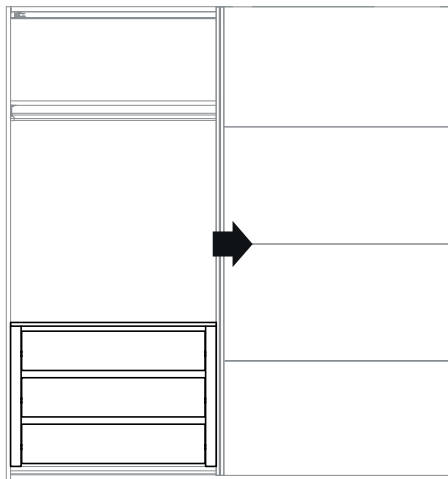
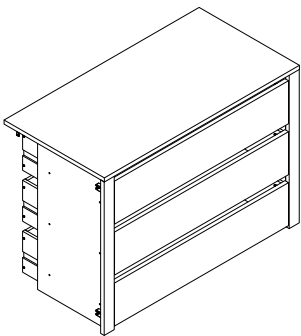
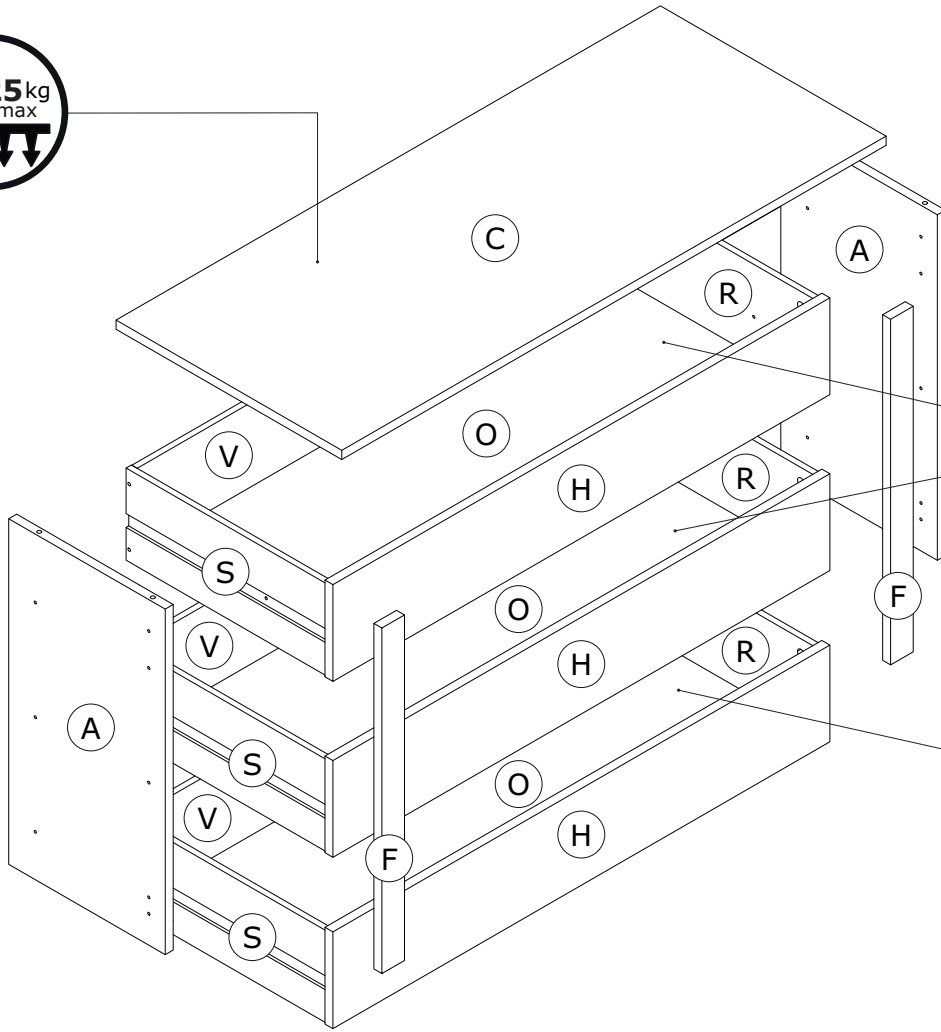
**V10**  
x2

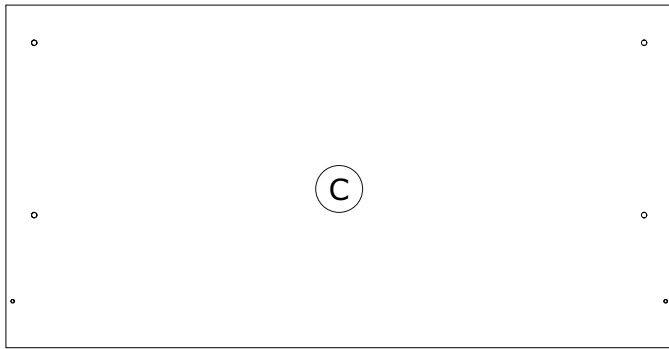


**H2**  
x12

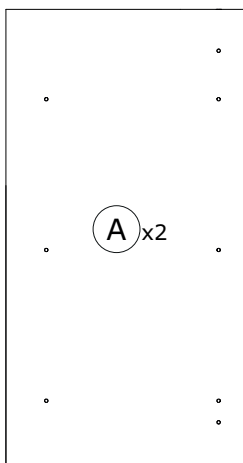


**T28**  
x6

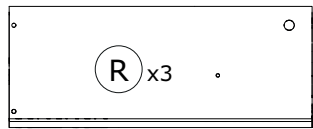




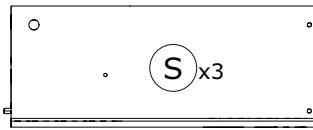
1228x509x18mm



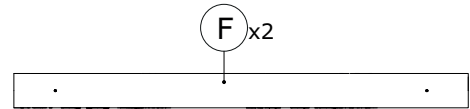
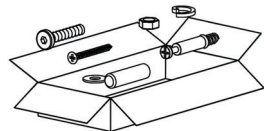
675x353x18mm



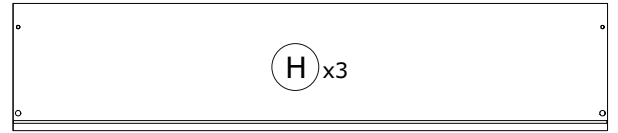
450x180x12mm



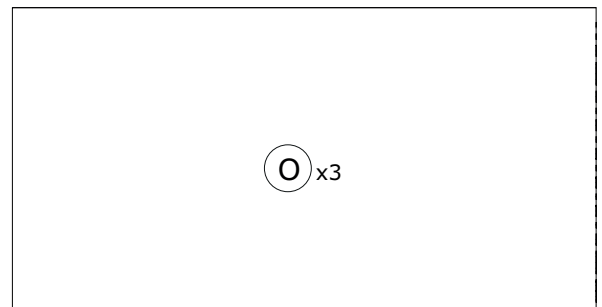
450x180x12mm



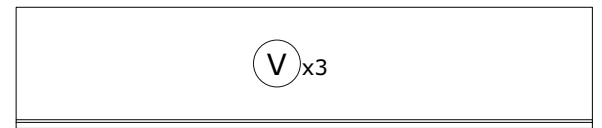
675x51x18mm



1121x189x18mm

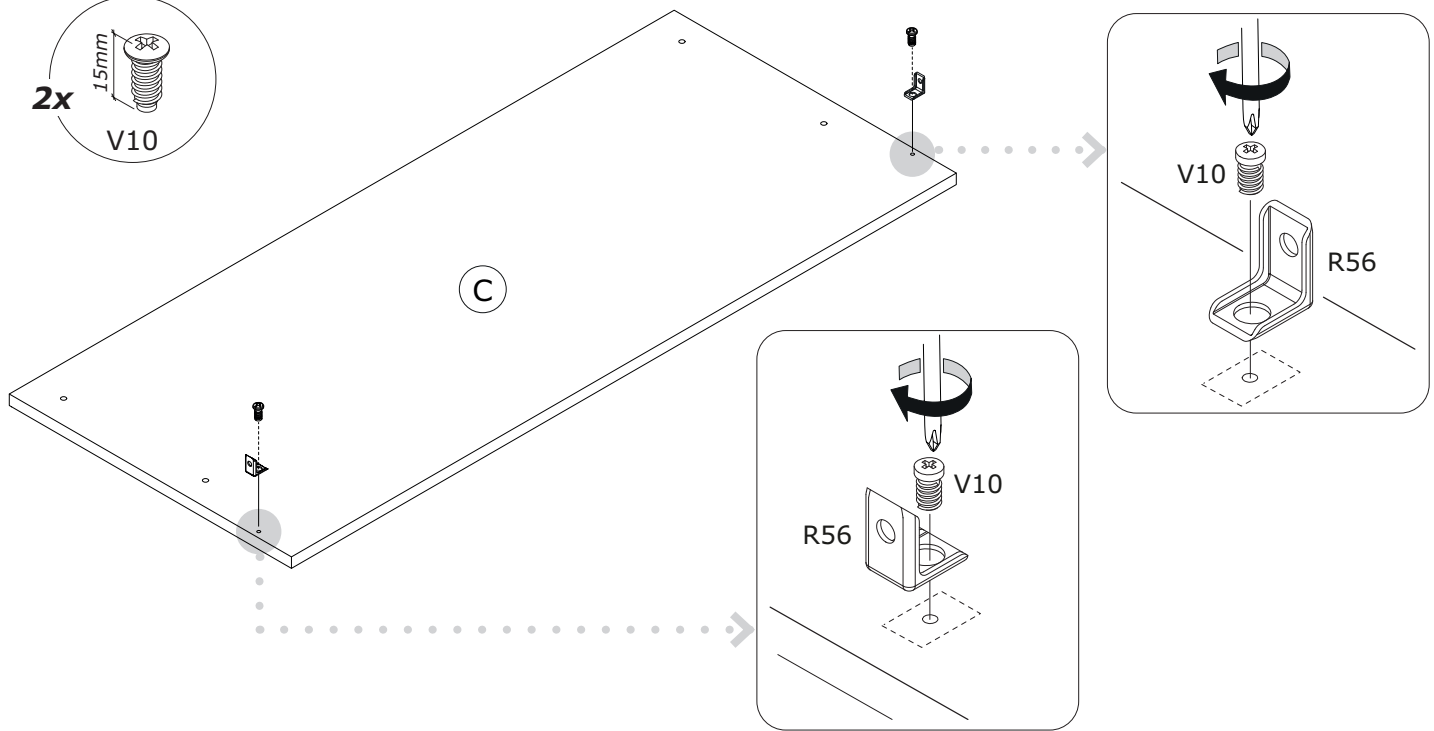
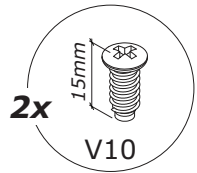
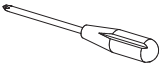


1105x450x2mm

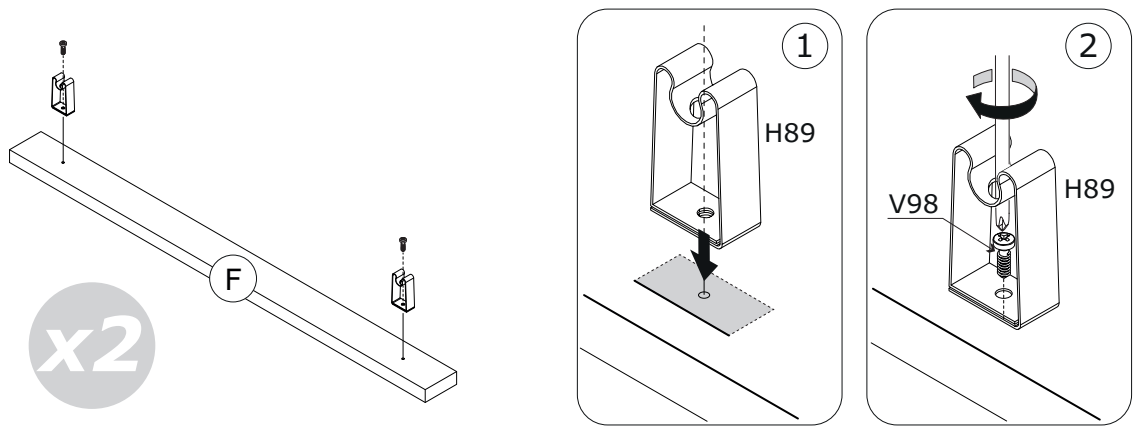
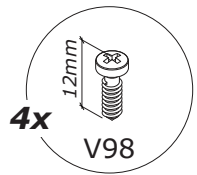
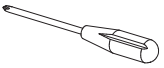


1094x180x12mm

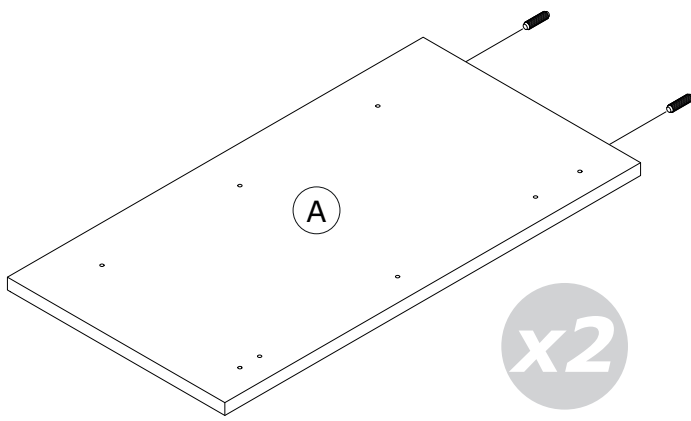
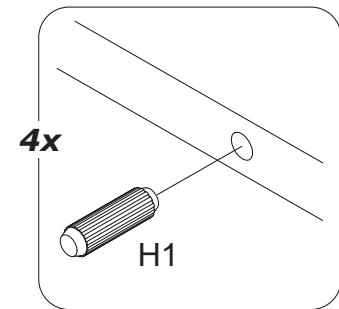
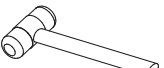
1



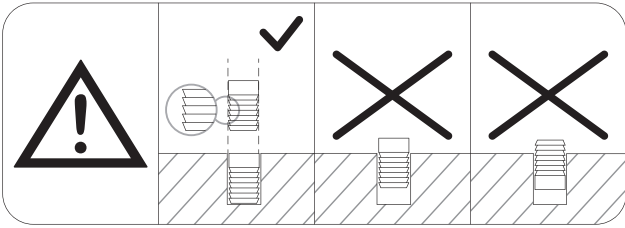
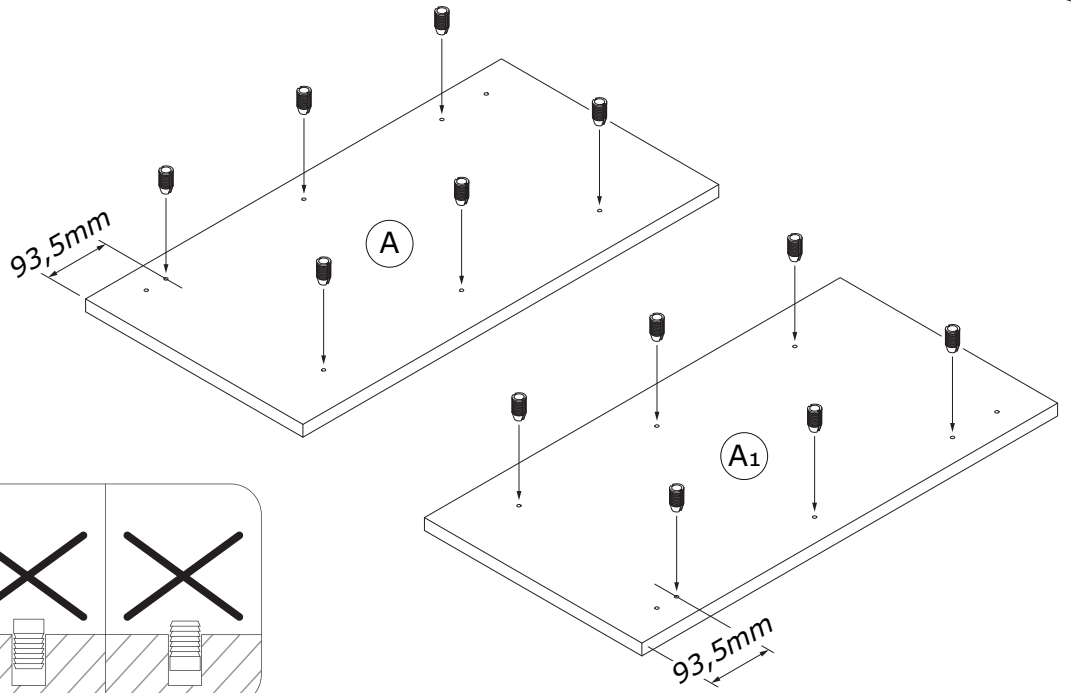
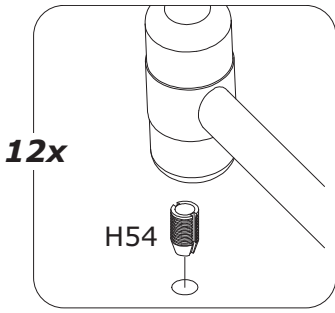
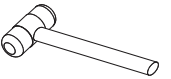
2



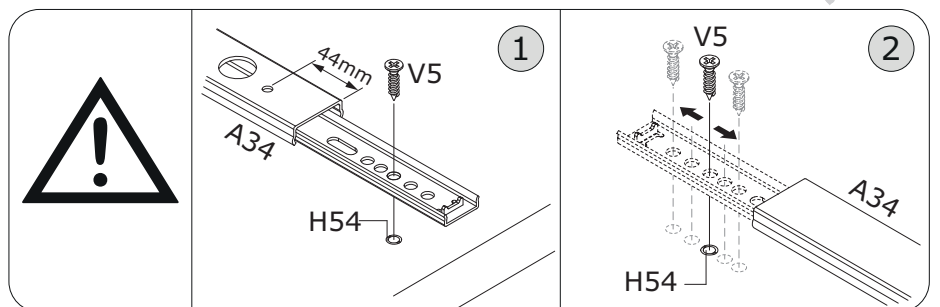
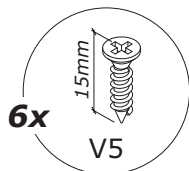
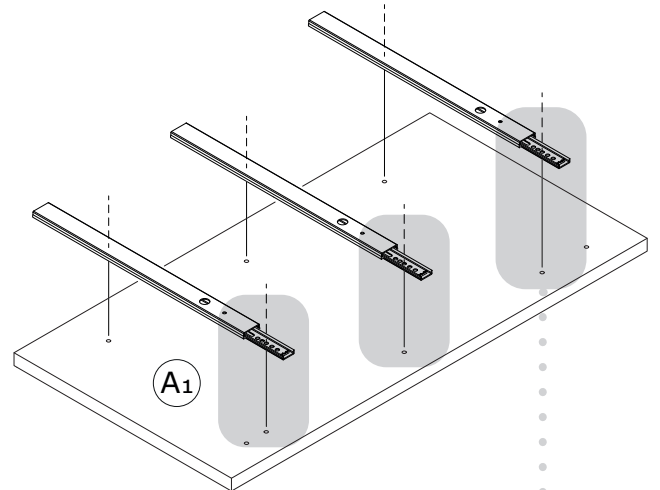
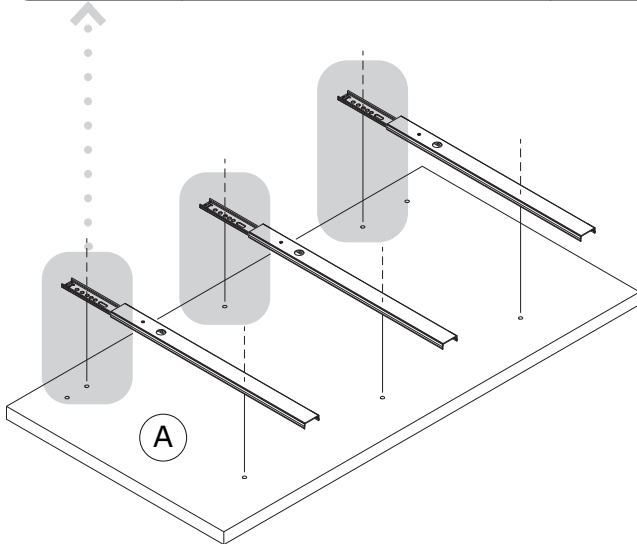
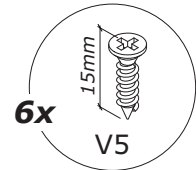
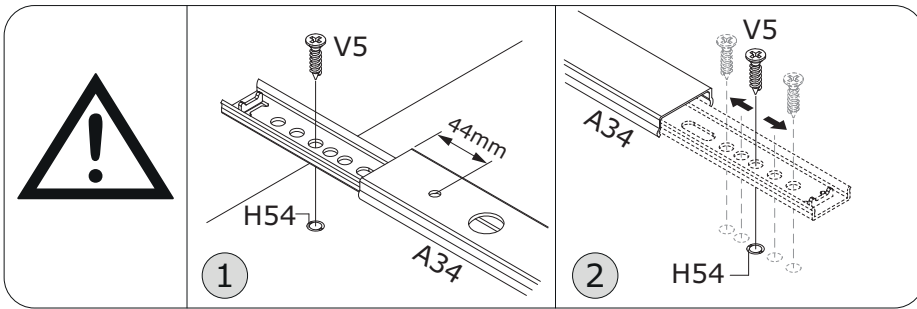
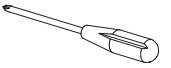
3

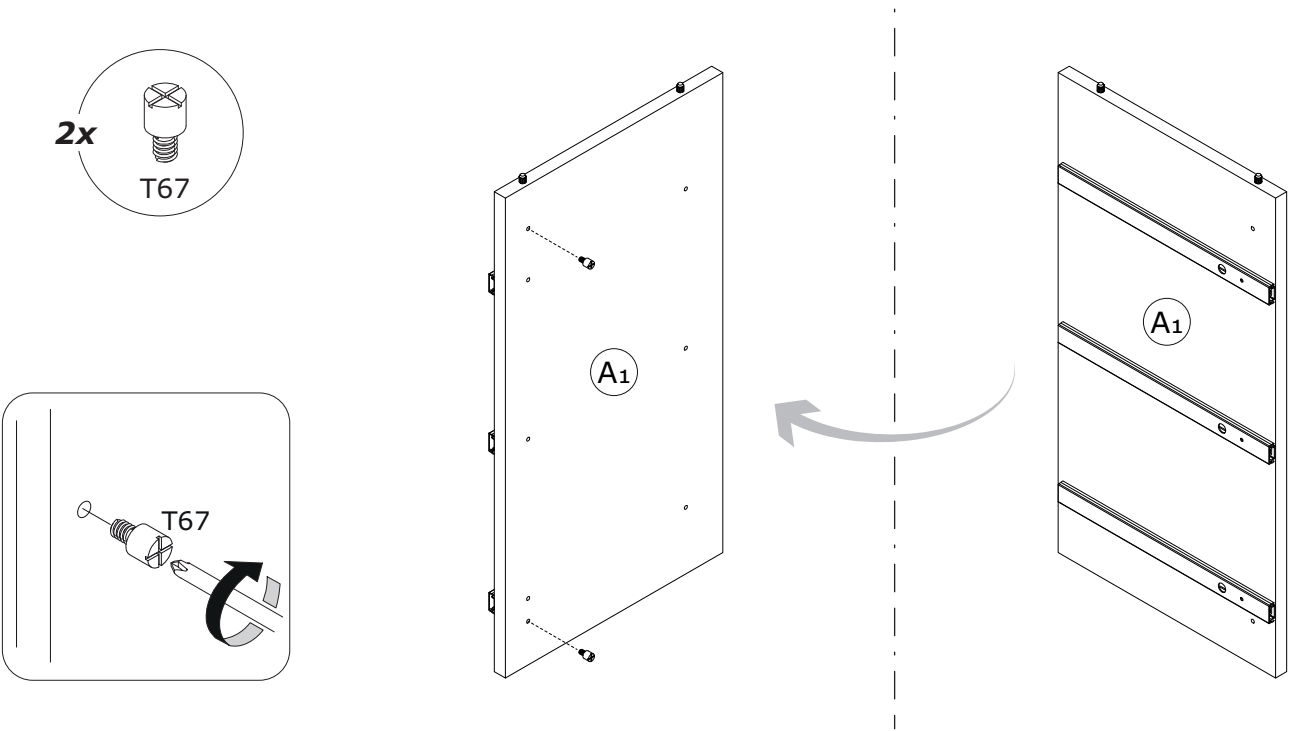
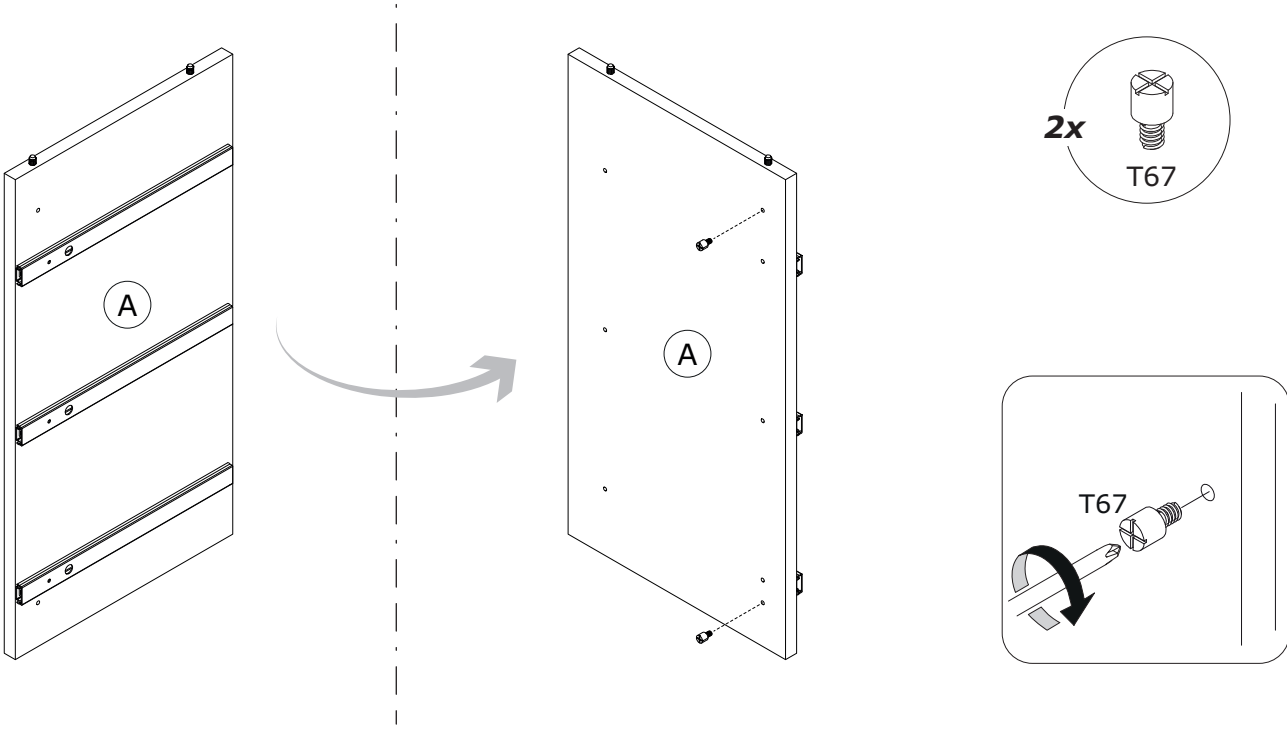
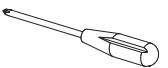


4

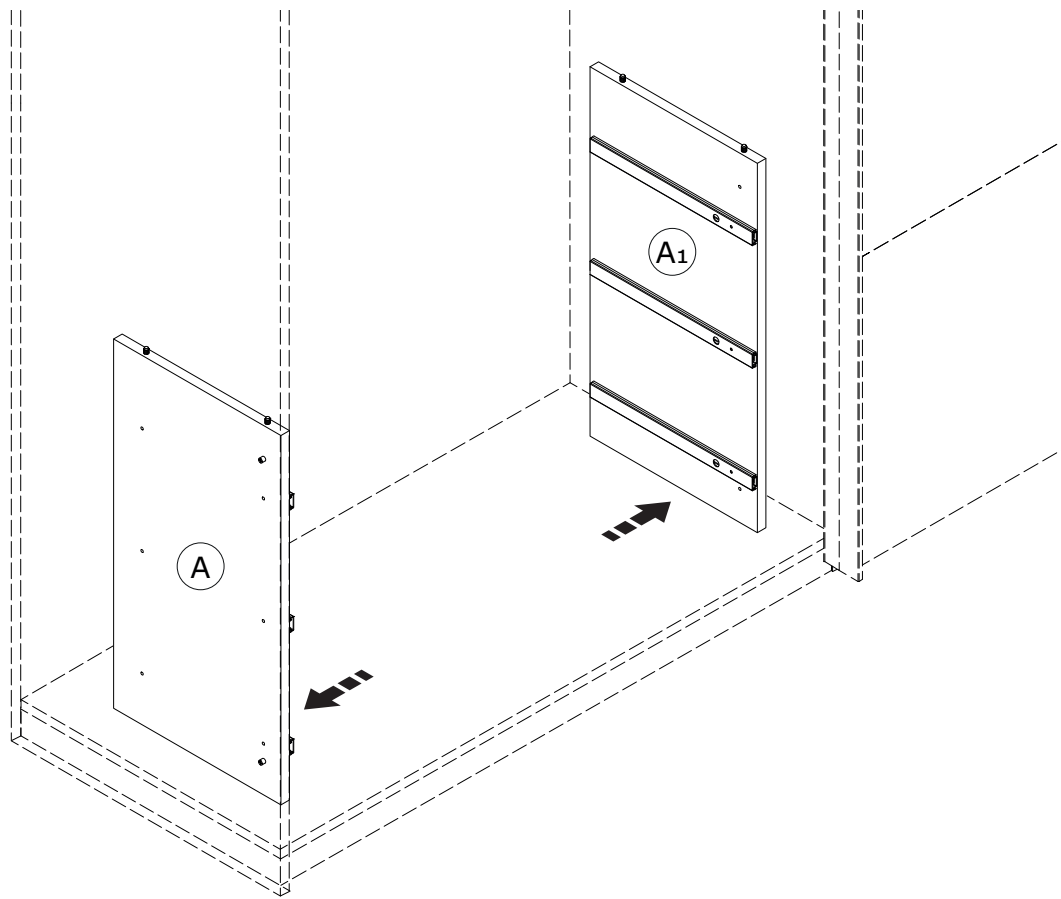


5

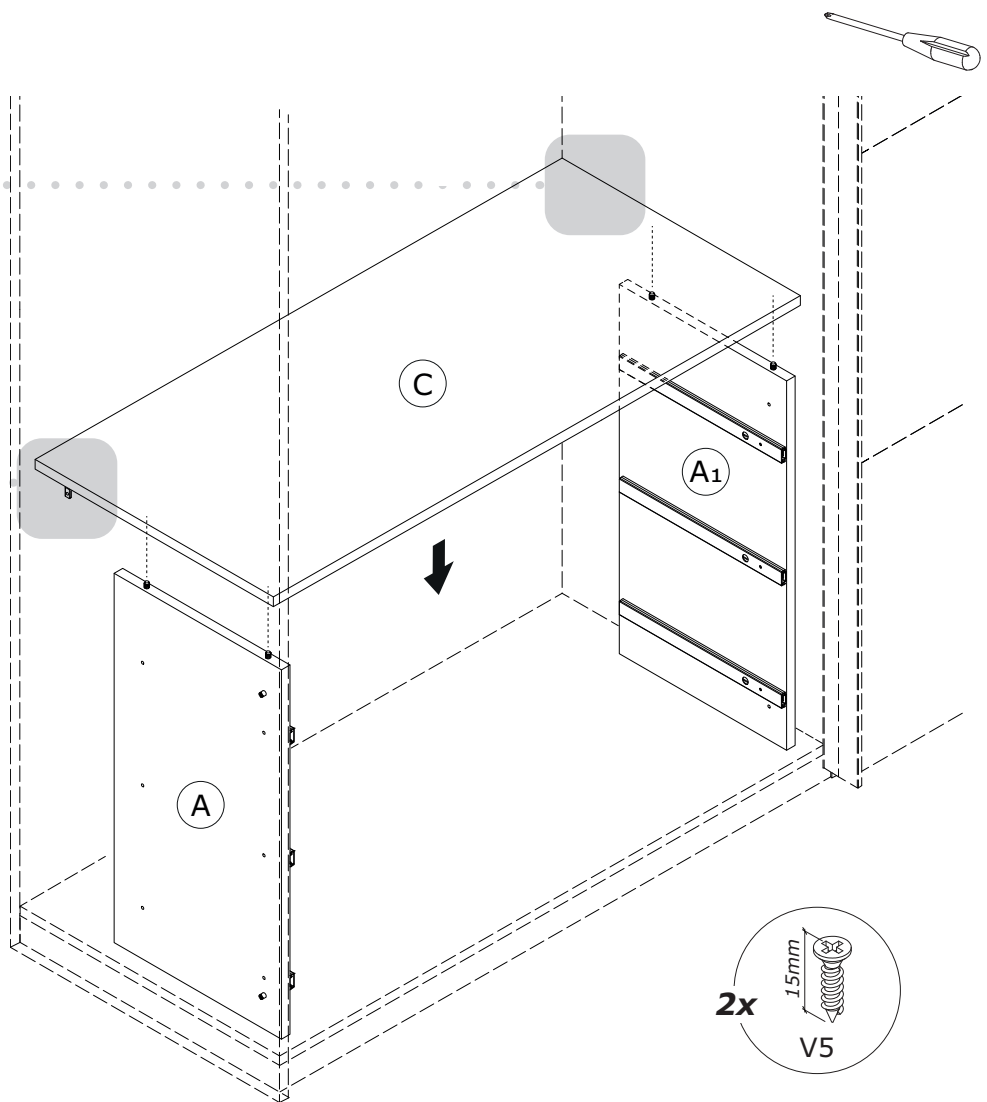
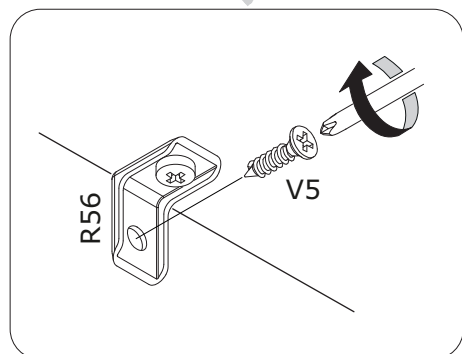
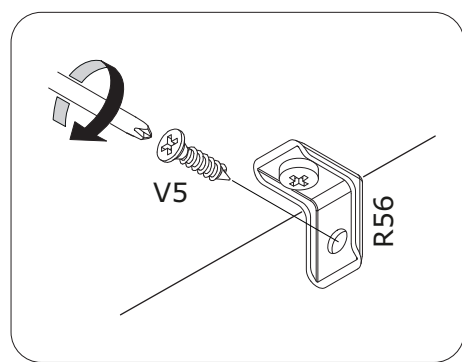




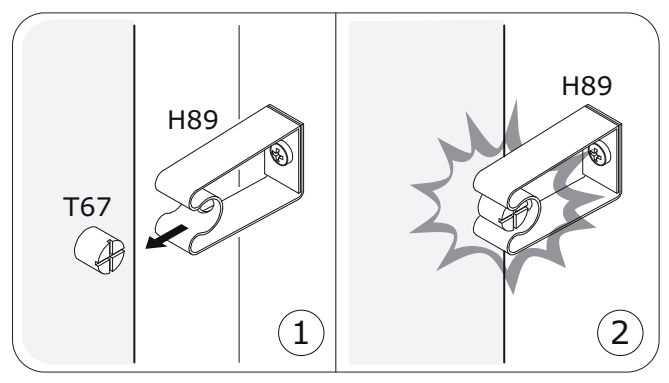
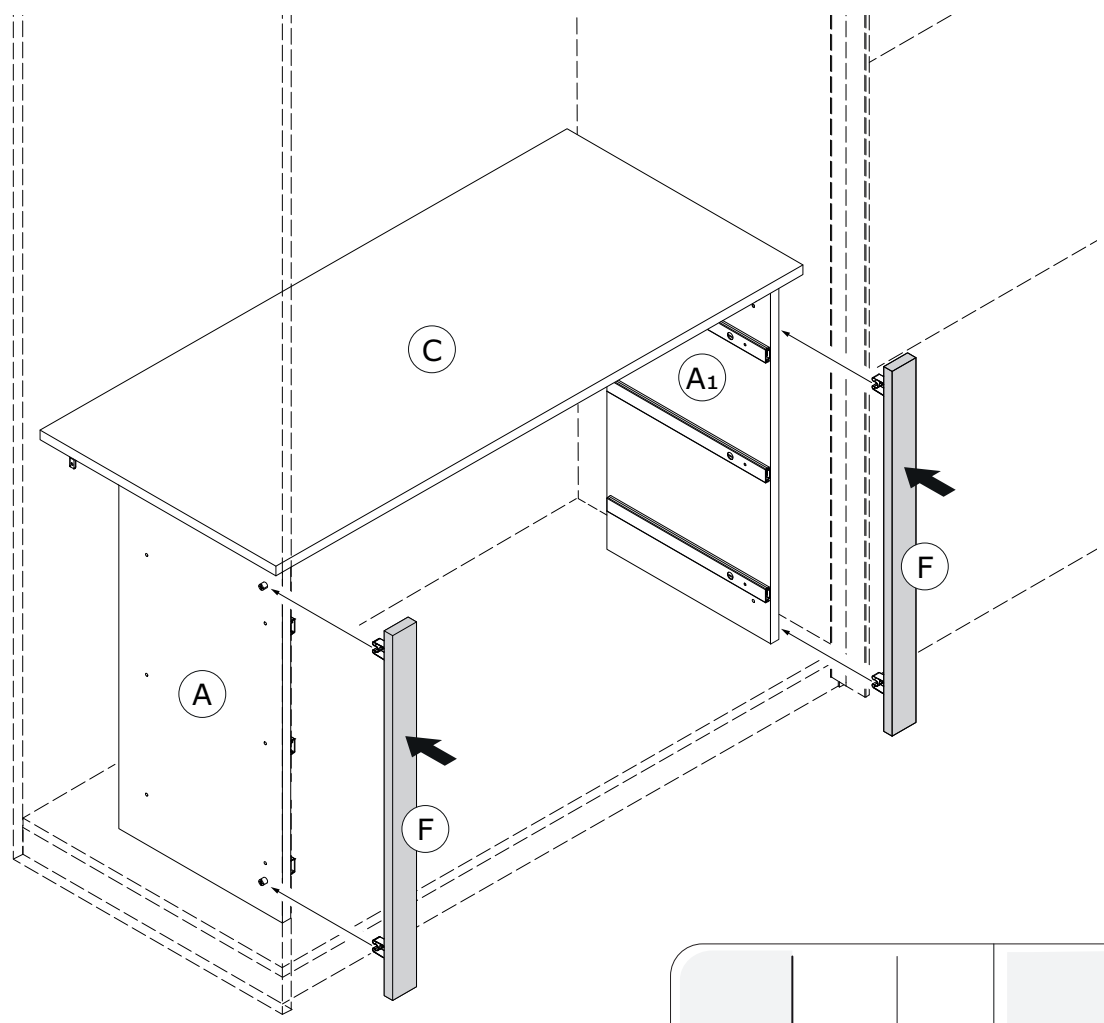
7



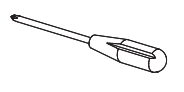
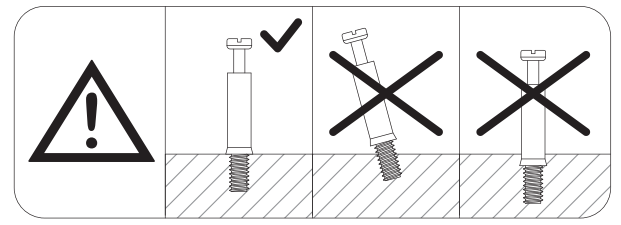
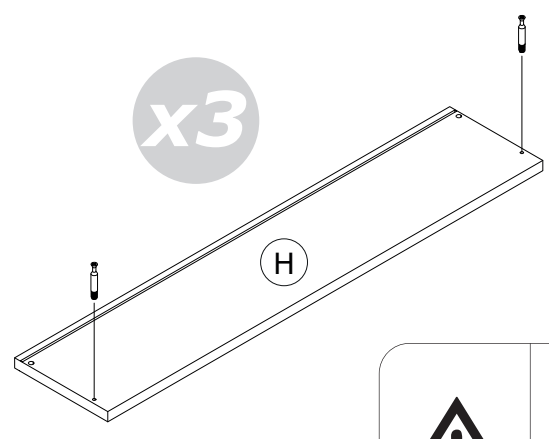
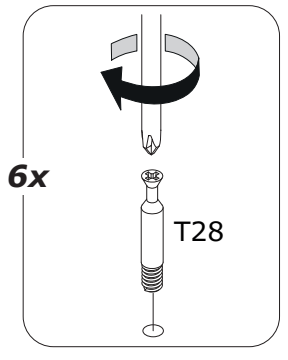
8

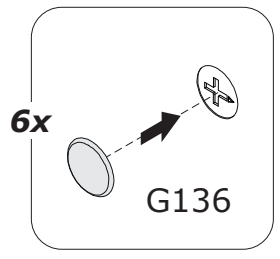
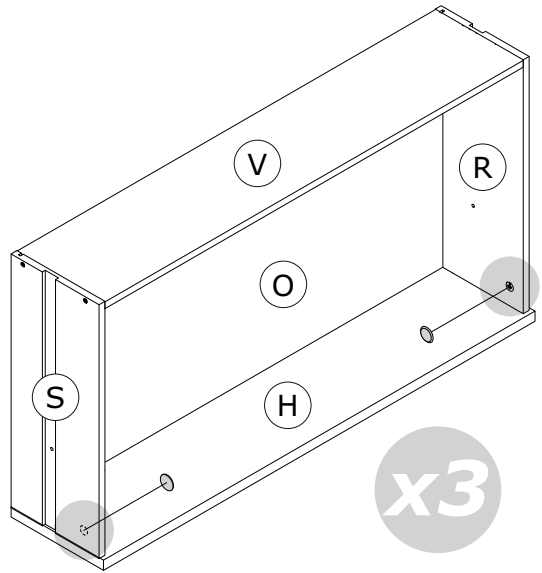
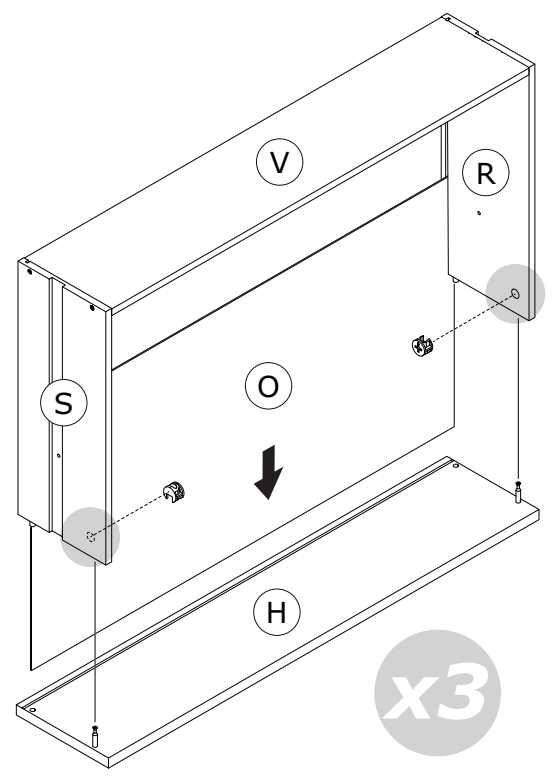
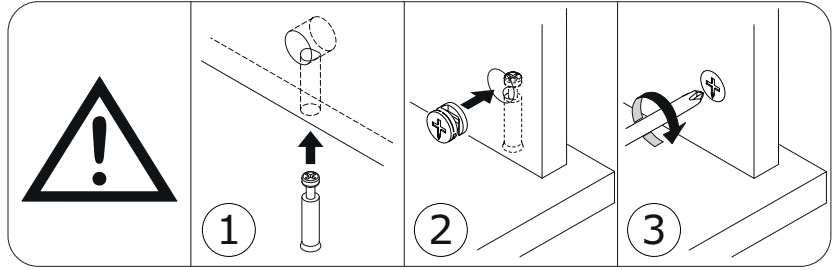
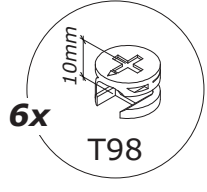
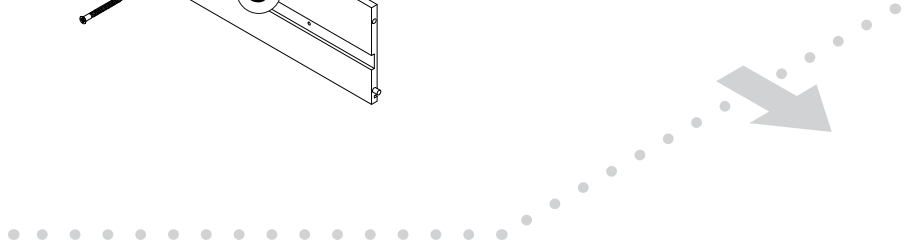
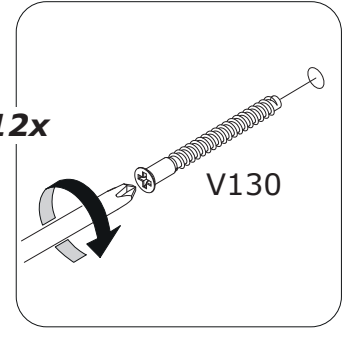
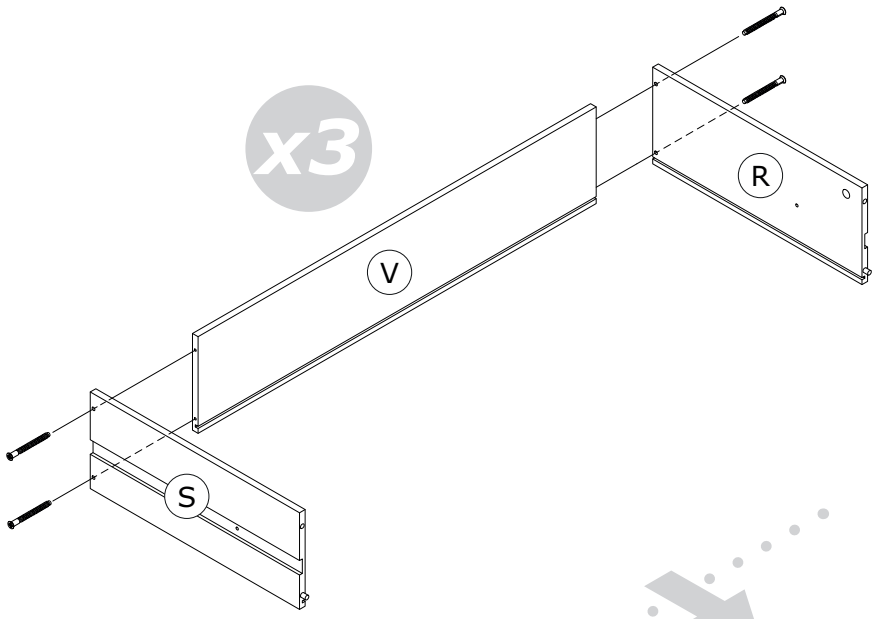
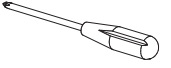


9

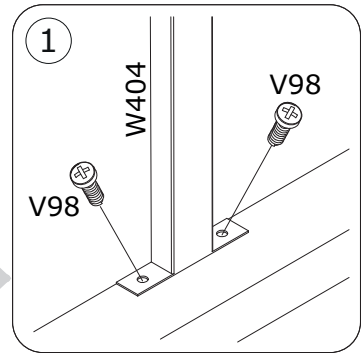
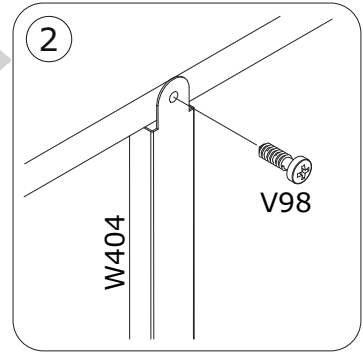
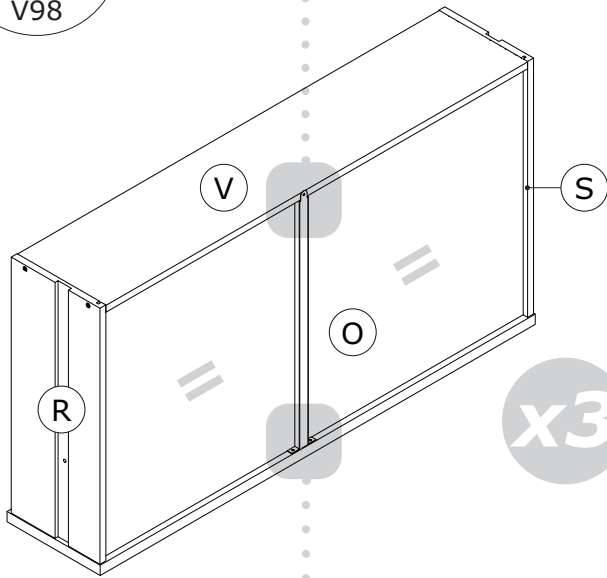
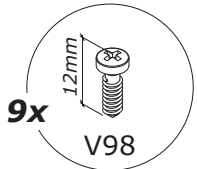
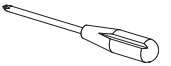


10





12



13

