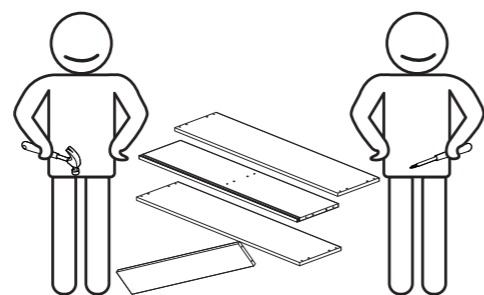
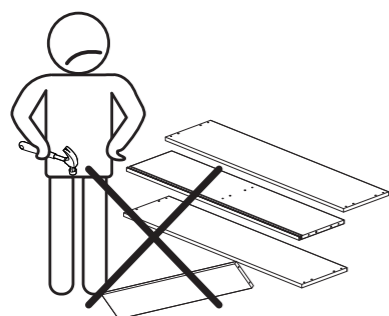




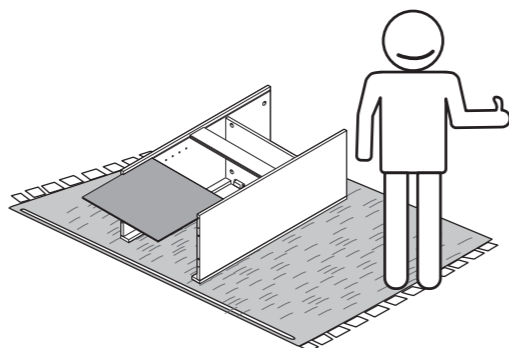
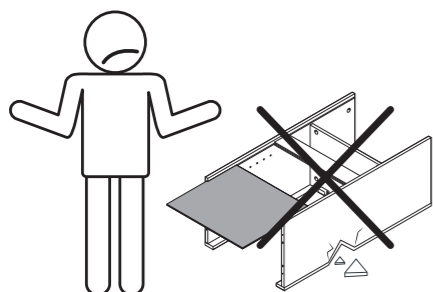
WARNING

Children have died from furniture tipover. To reduce the risk of furniture tipover:

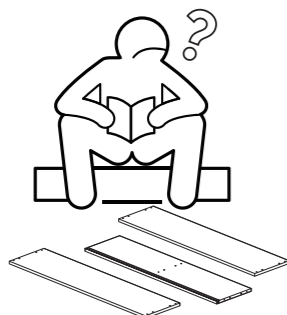
- ALWAYS install tipover restraint provided.
- NEVER put a TV on this product.
- NEVER allow children to stand, climb or hang on drawers, doors, or shelves.
- NEVER open more than one drawer at a time.
- Place heaviest items in the lowest drawer.



We recommend at least 2 people for the assembly.

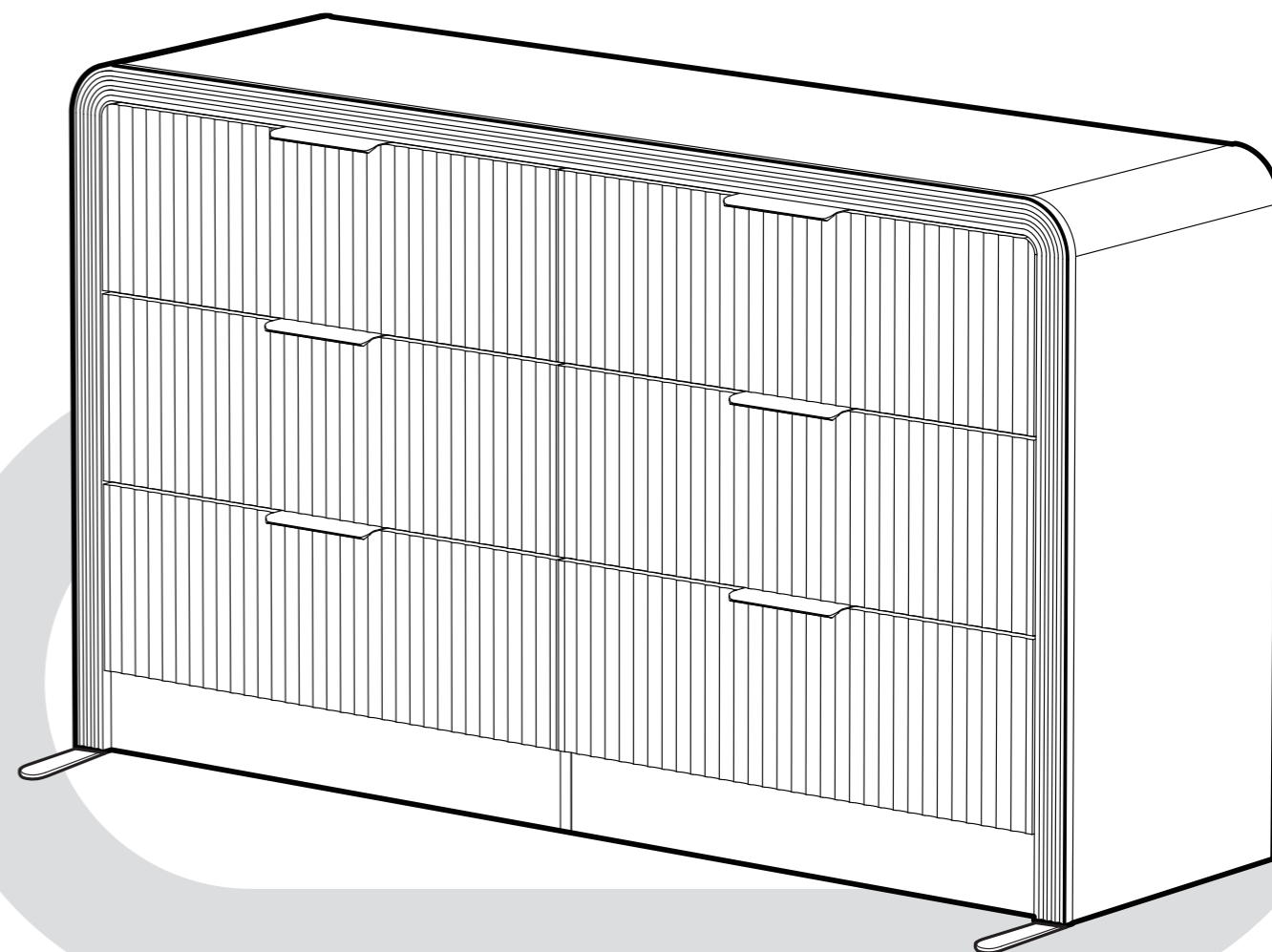


To prevent any damage during assembly, place a mat under the pieces.



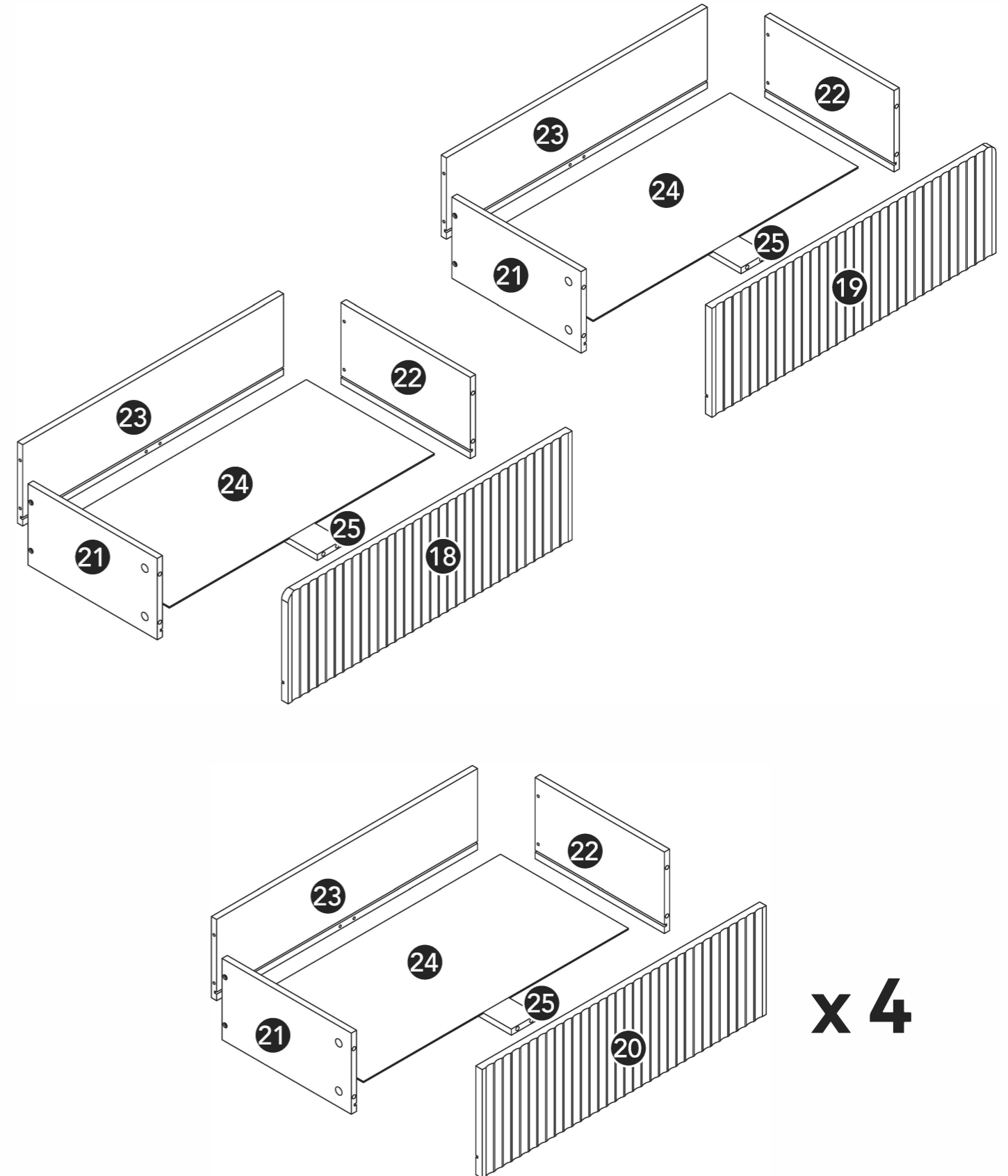
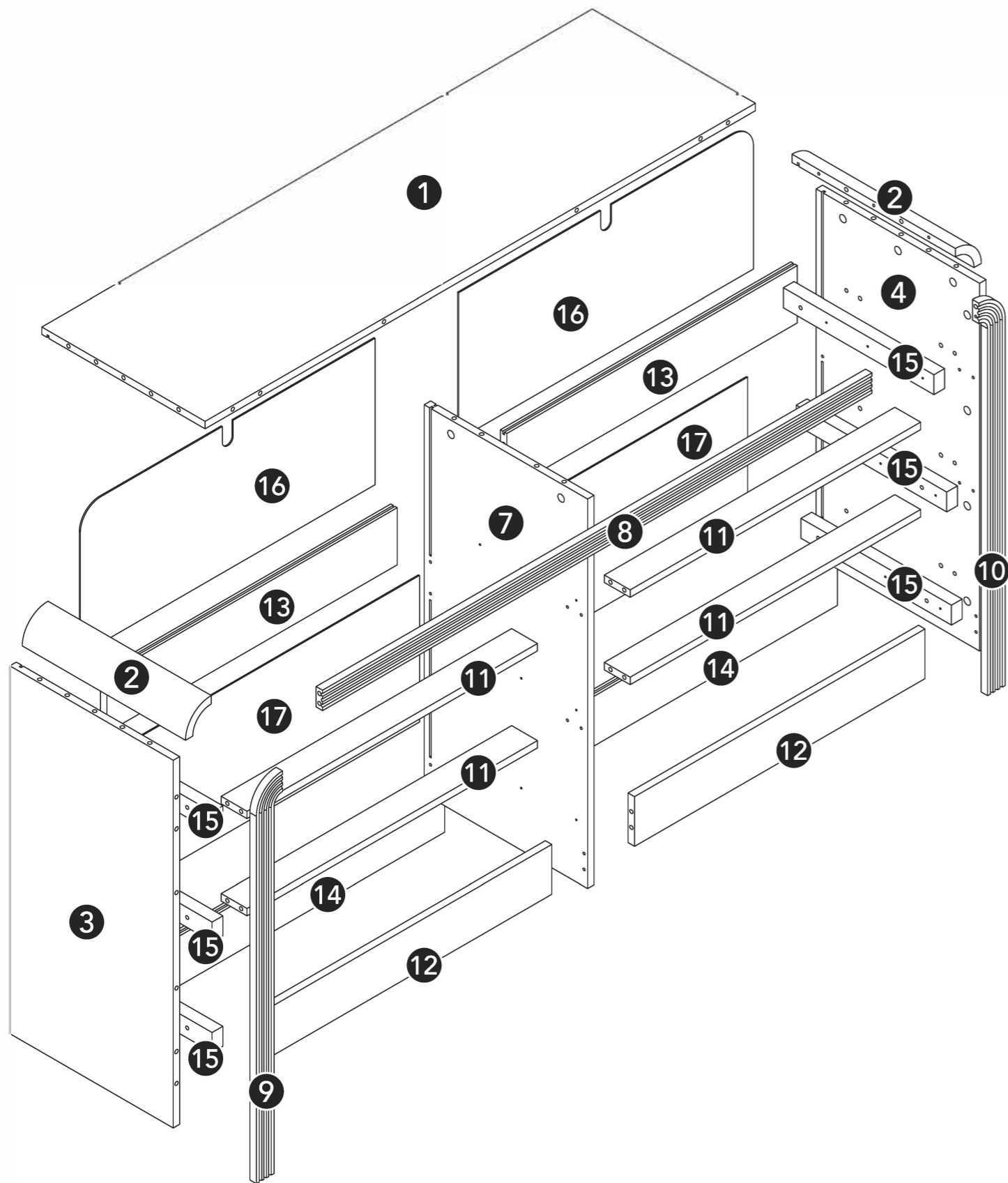
Any questions concerning assembly, contact us

ASSEMBLY INSTRUCTIONS



PARTS DIAGRAM

Check if all parts and hardware are included. Contact us if there is any part missing or damaged.

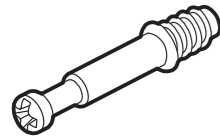


HARDWARES

SPARE PARTS



The spare parts are the additional parts provided in case of missing or damaged ones. Keep the spare parts and tools for future use.



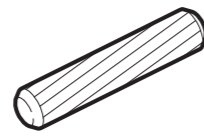
M6x35mm

A x 104



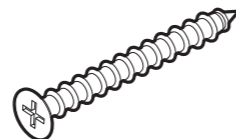
M15x10mm

B x 104



Ø8x30mm

C x 30



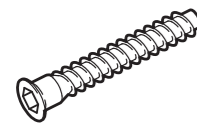
M4x35mm

D x 44



M3x12mm

E x 84

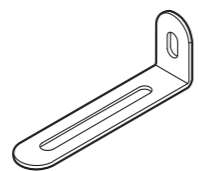


M7x30mm

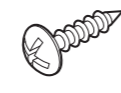
F x 12



G x 16

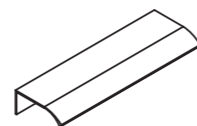


H x 2

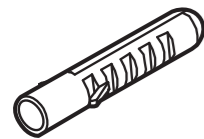


M4x12mm

I x 2



J x 6

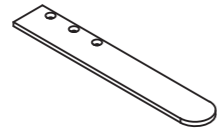


K x 2

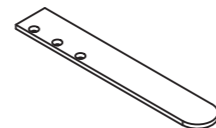


Ø20mm

L x 104



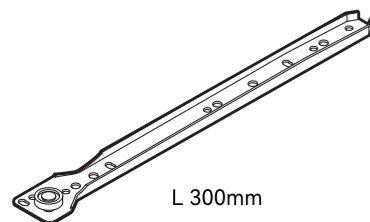
M x 1



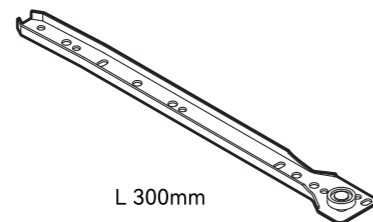
N x 1



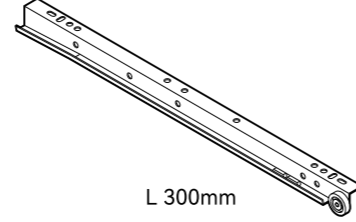
O x 1



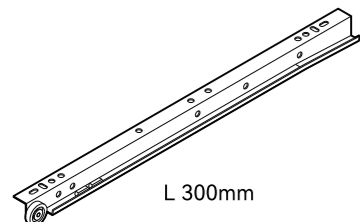
L 300mm
CL x 6



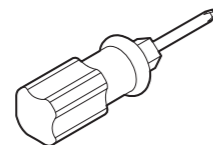
L 300mm
CR x 6



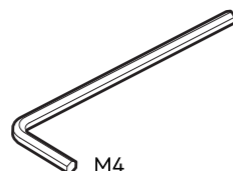
L 300mm
DL x 6



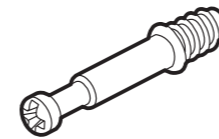
L 300mm
DR x 6



x 1



M4
x 1



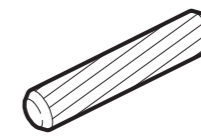
M6x35mm

A x 3



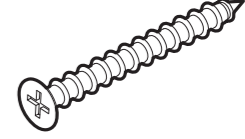
M15x10mm

B x 3



Ø8x30mm

C x 3



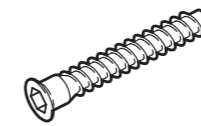
M4x35mm

D x 3



M3x12mm

E x 3



M7x30mm

F x 2



G x 3




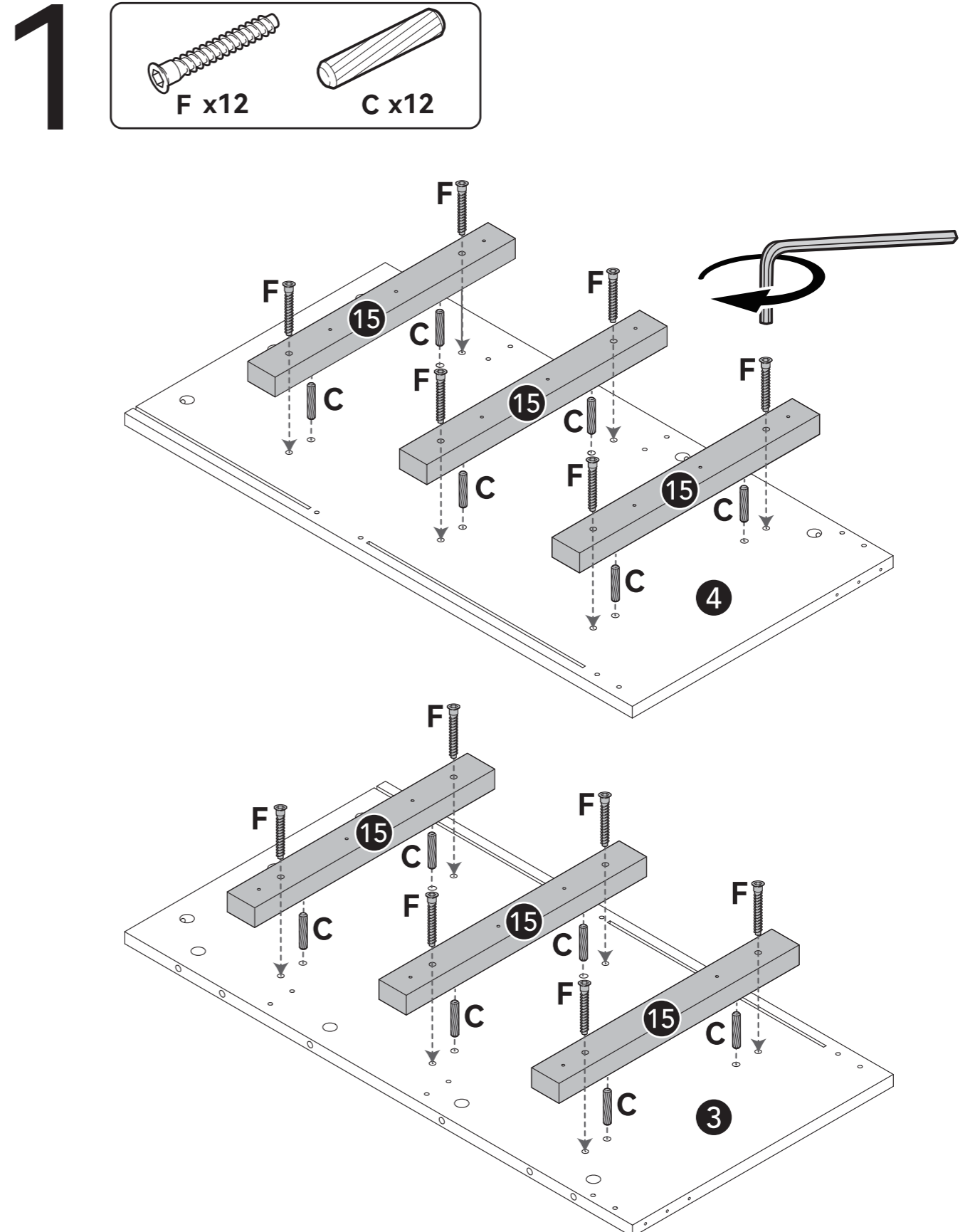
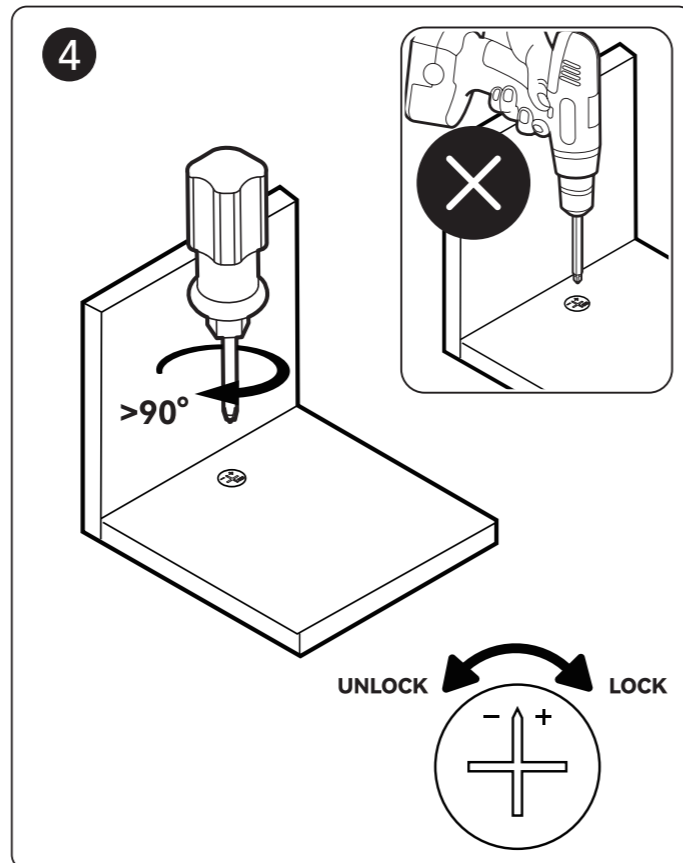
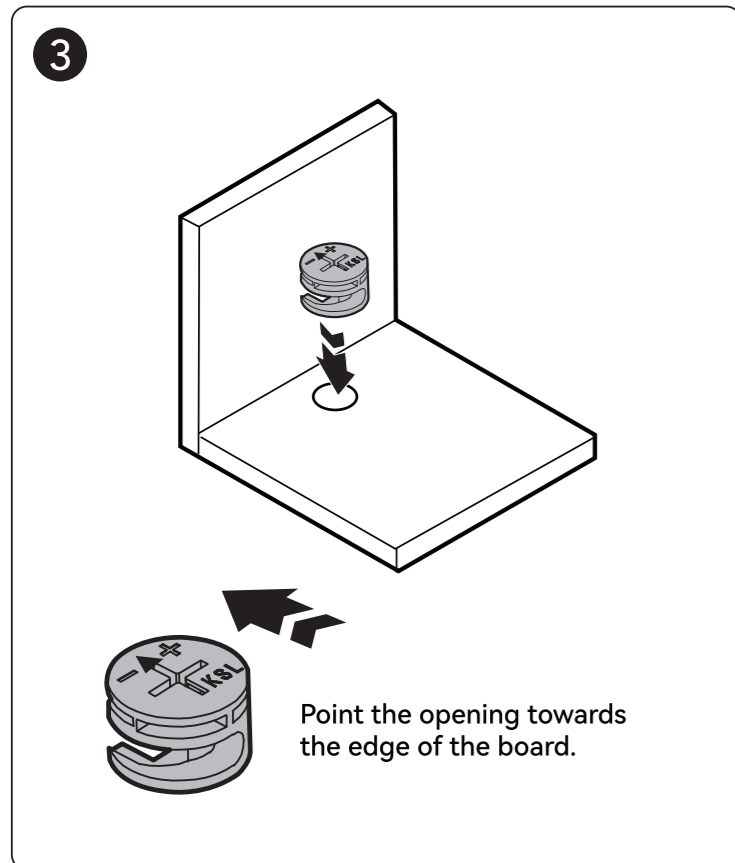
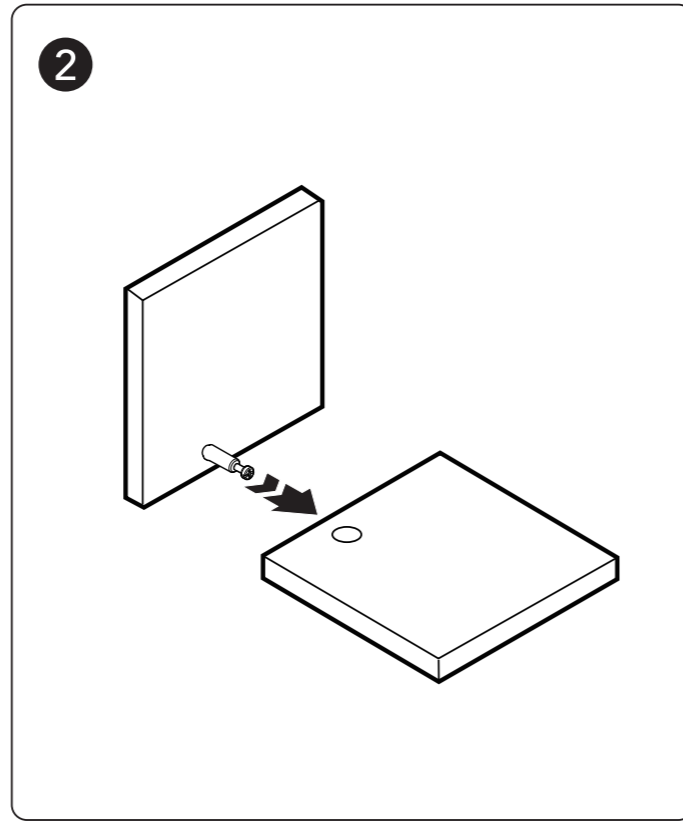
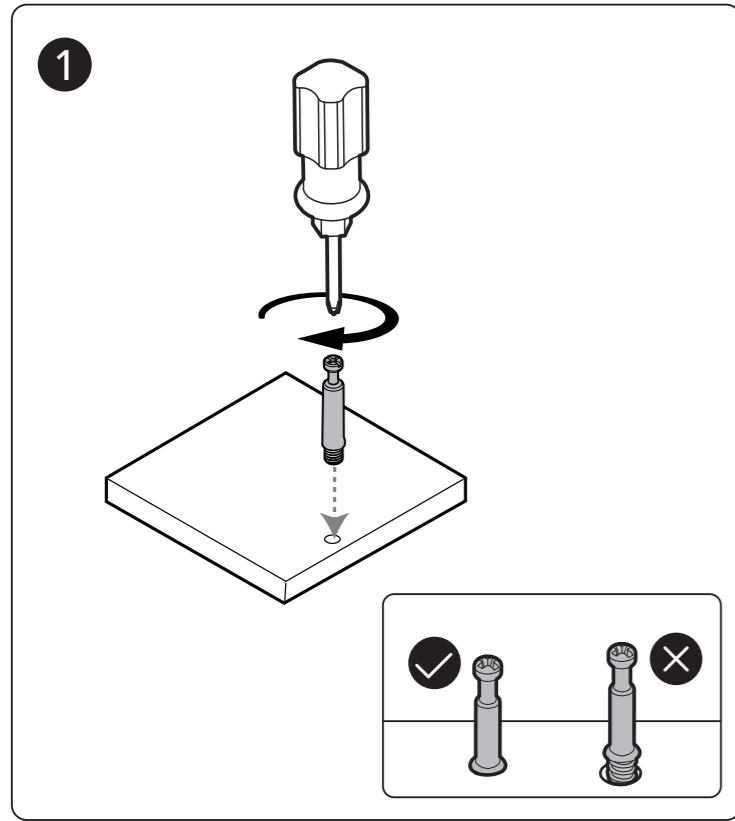
Ø20mm

L x 3

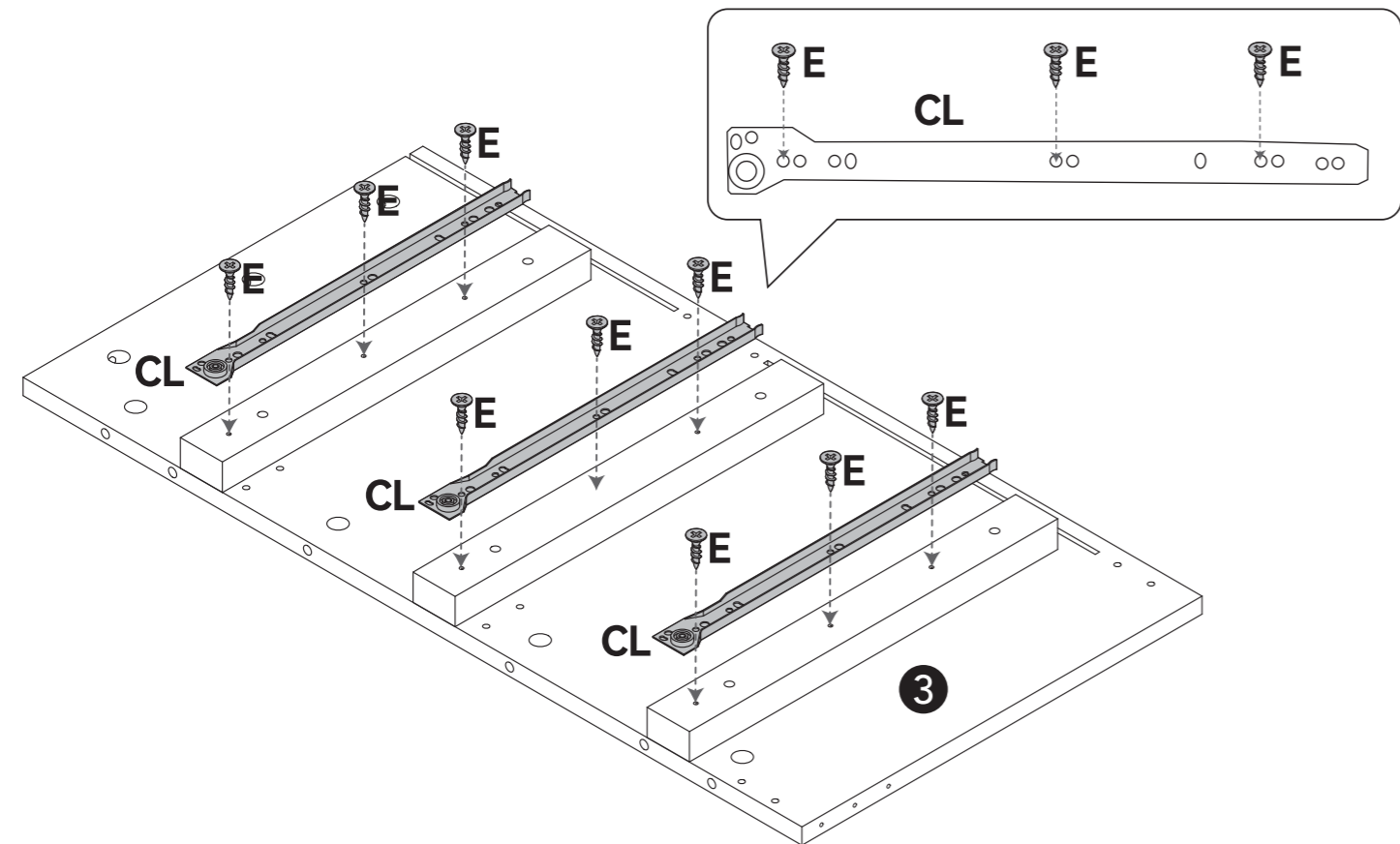
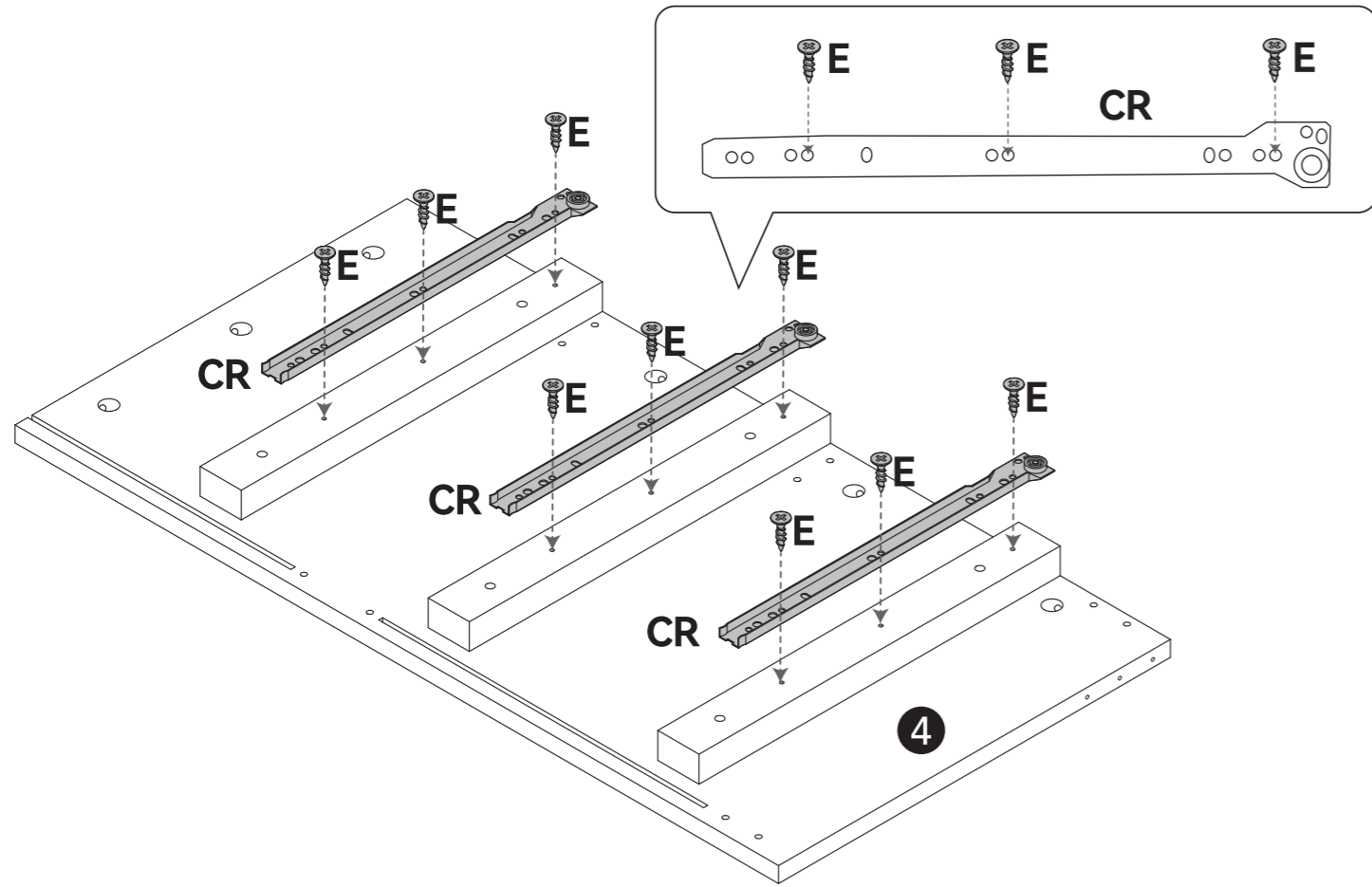
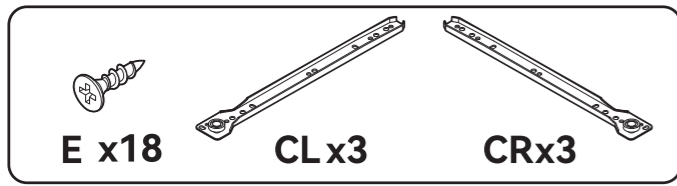
CAM LOCK FASTEN SYSTEM

ASSEMBLY

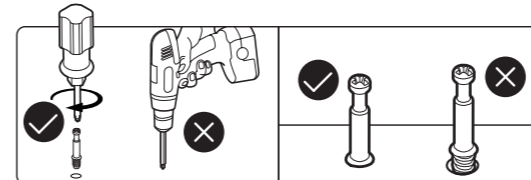
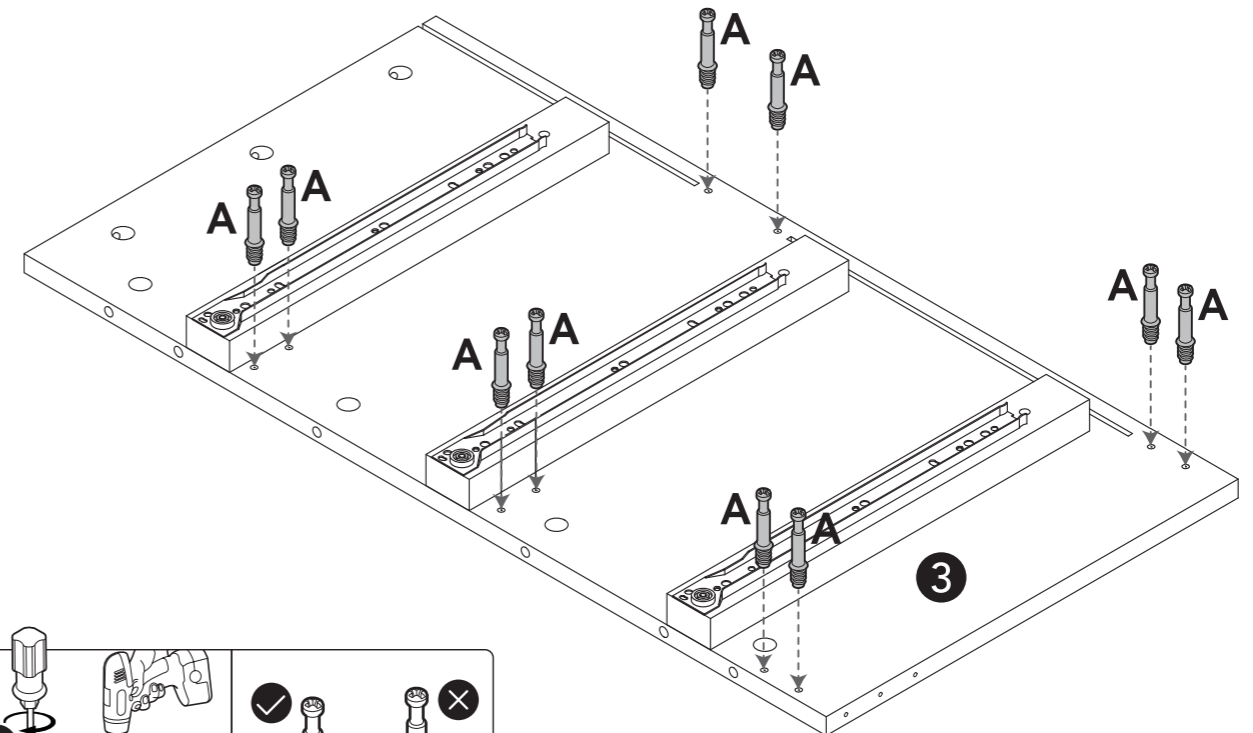
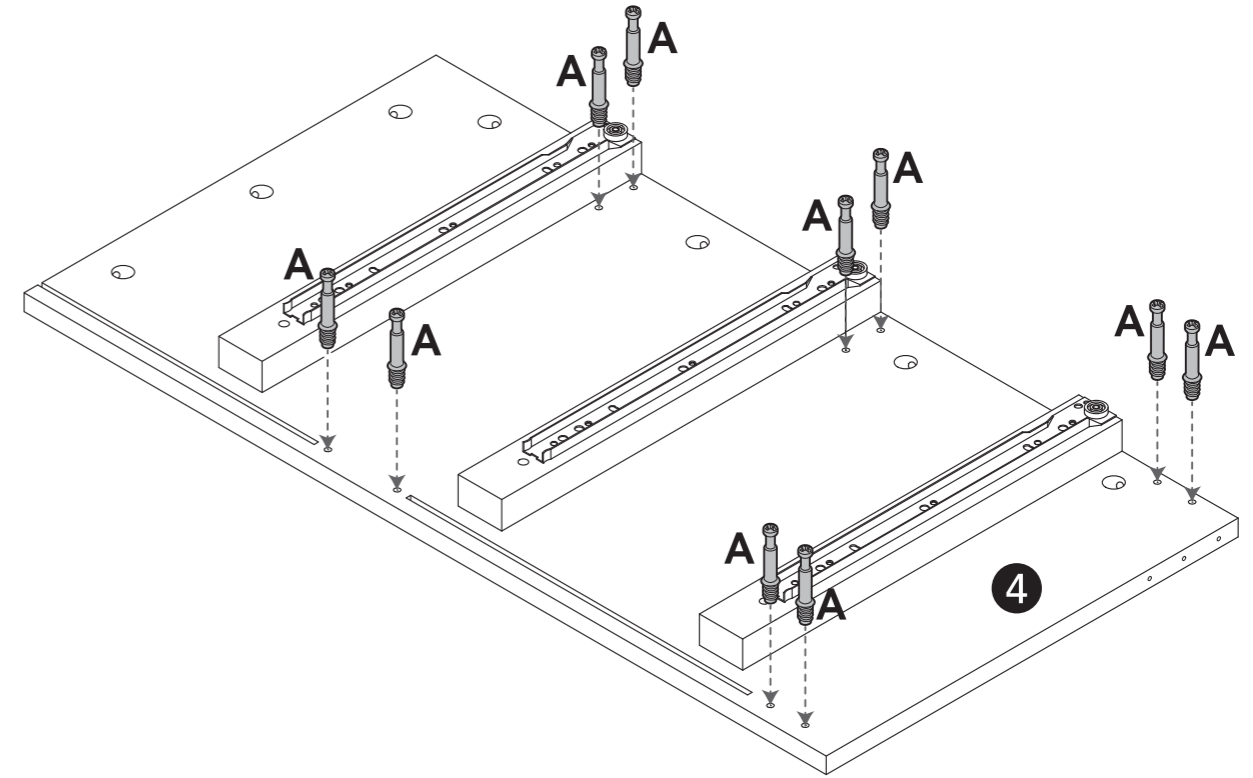
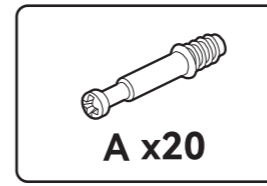
 Insert the cam bolt into the hole, then insert the cam lock and tighten.



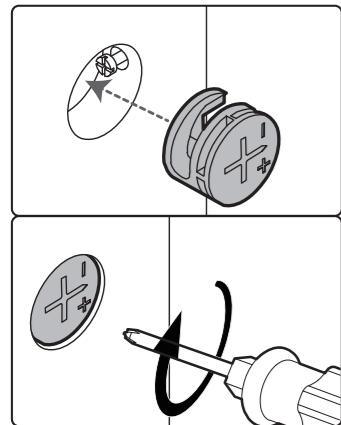
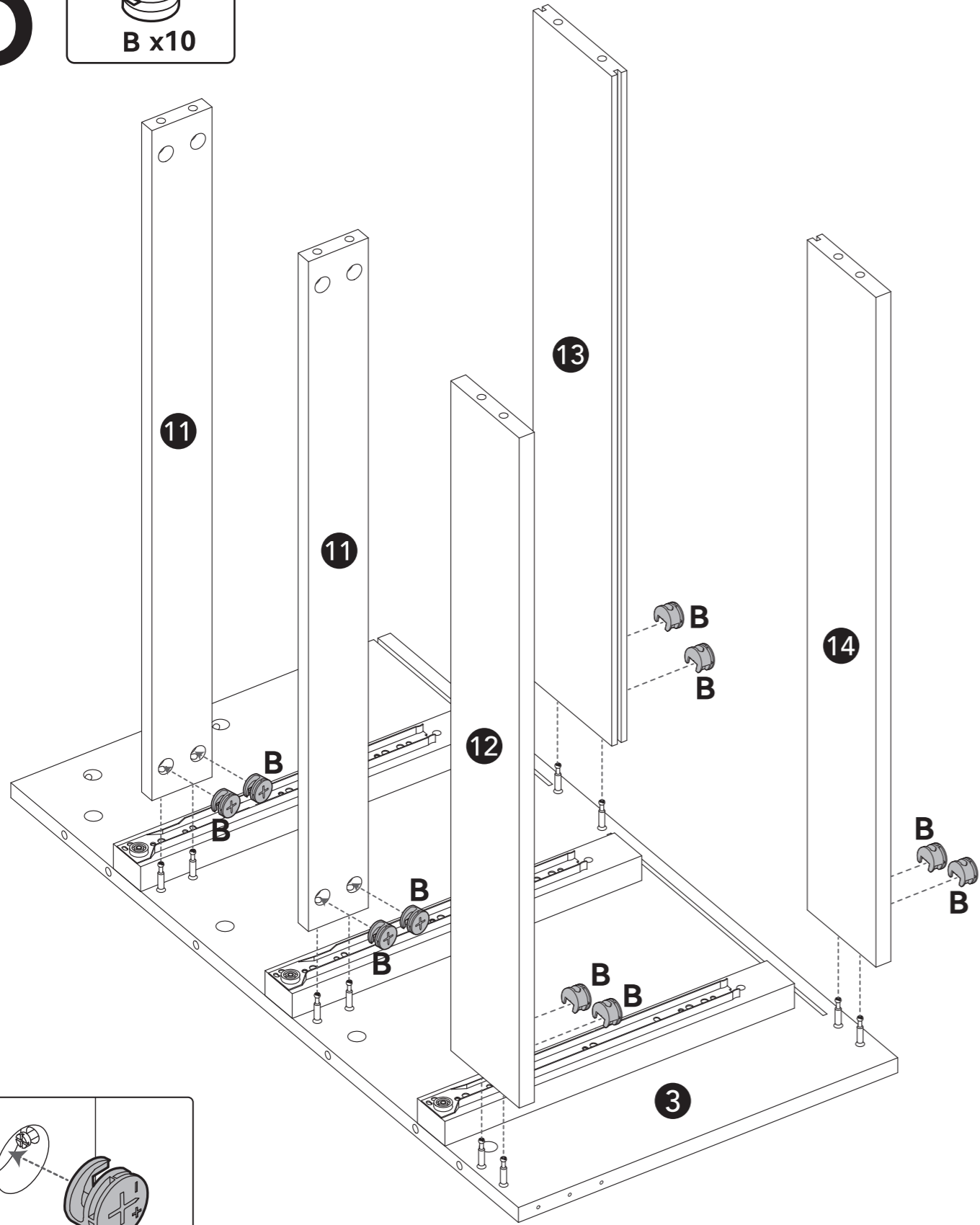
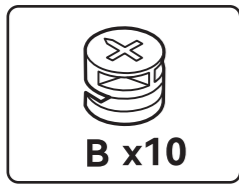
2



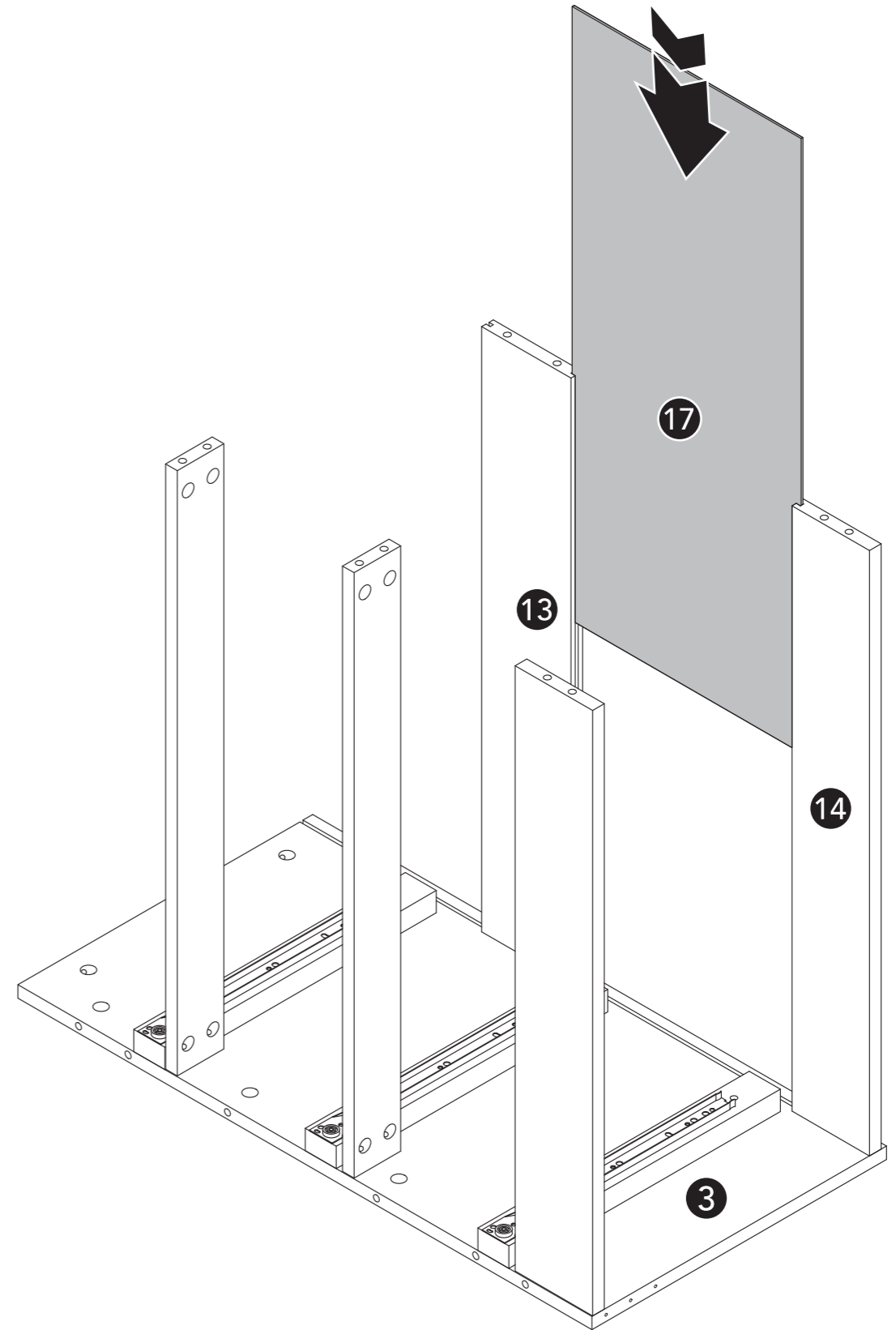
3



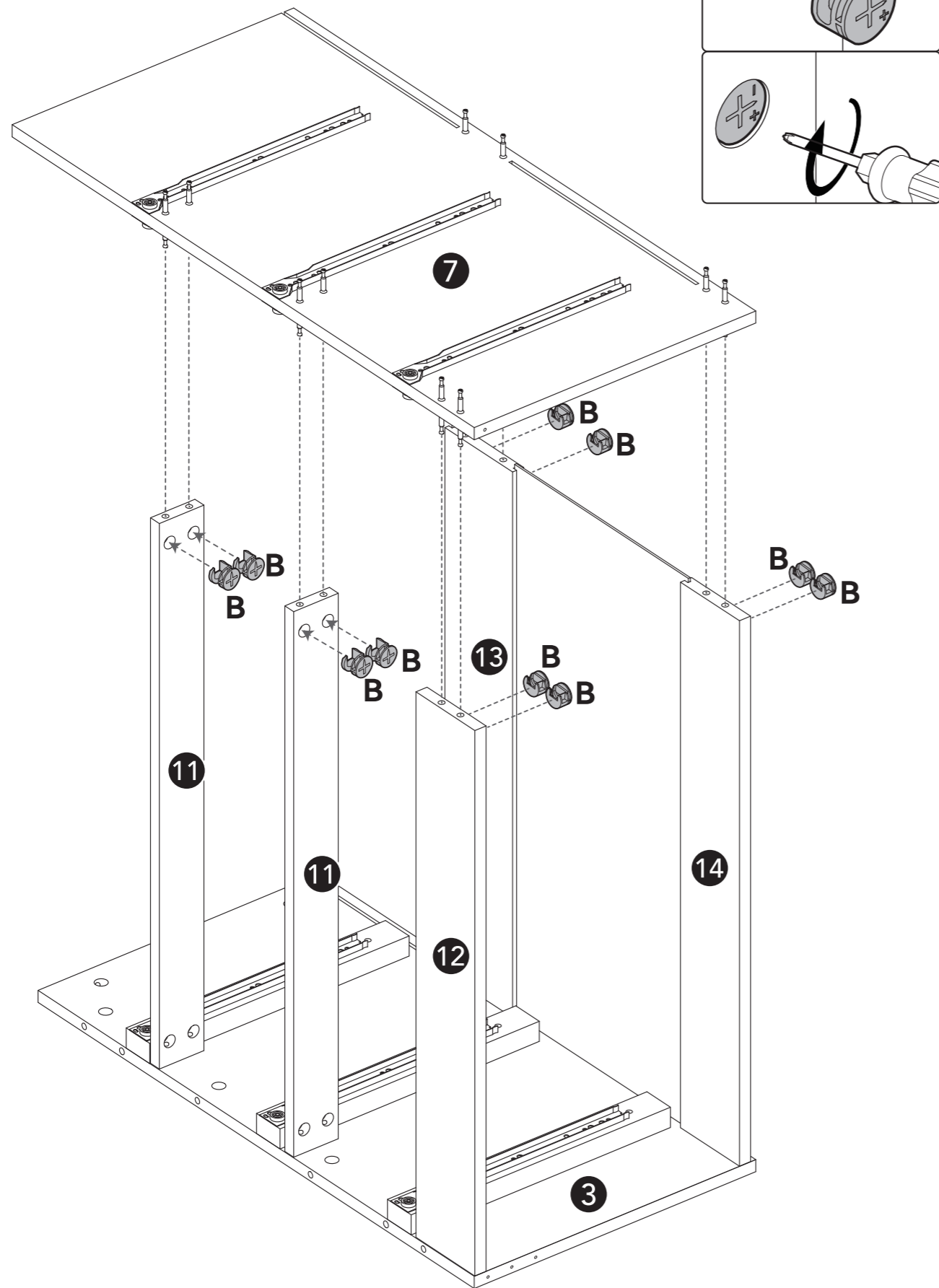
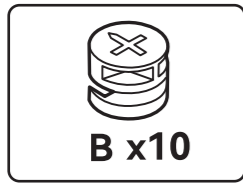
6



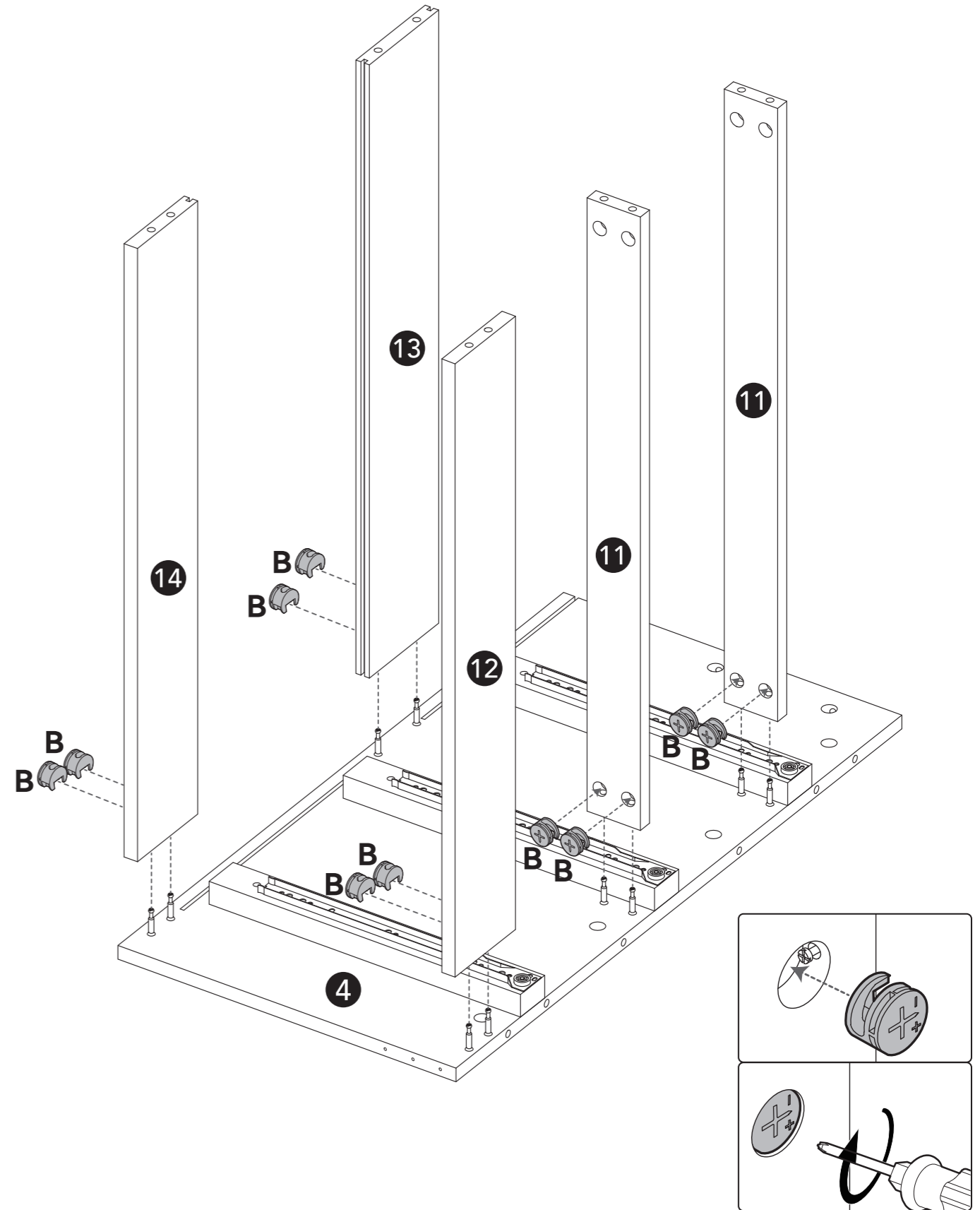
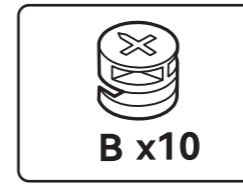
7



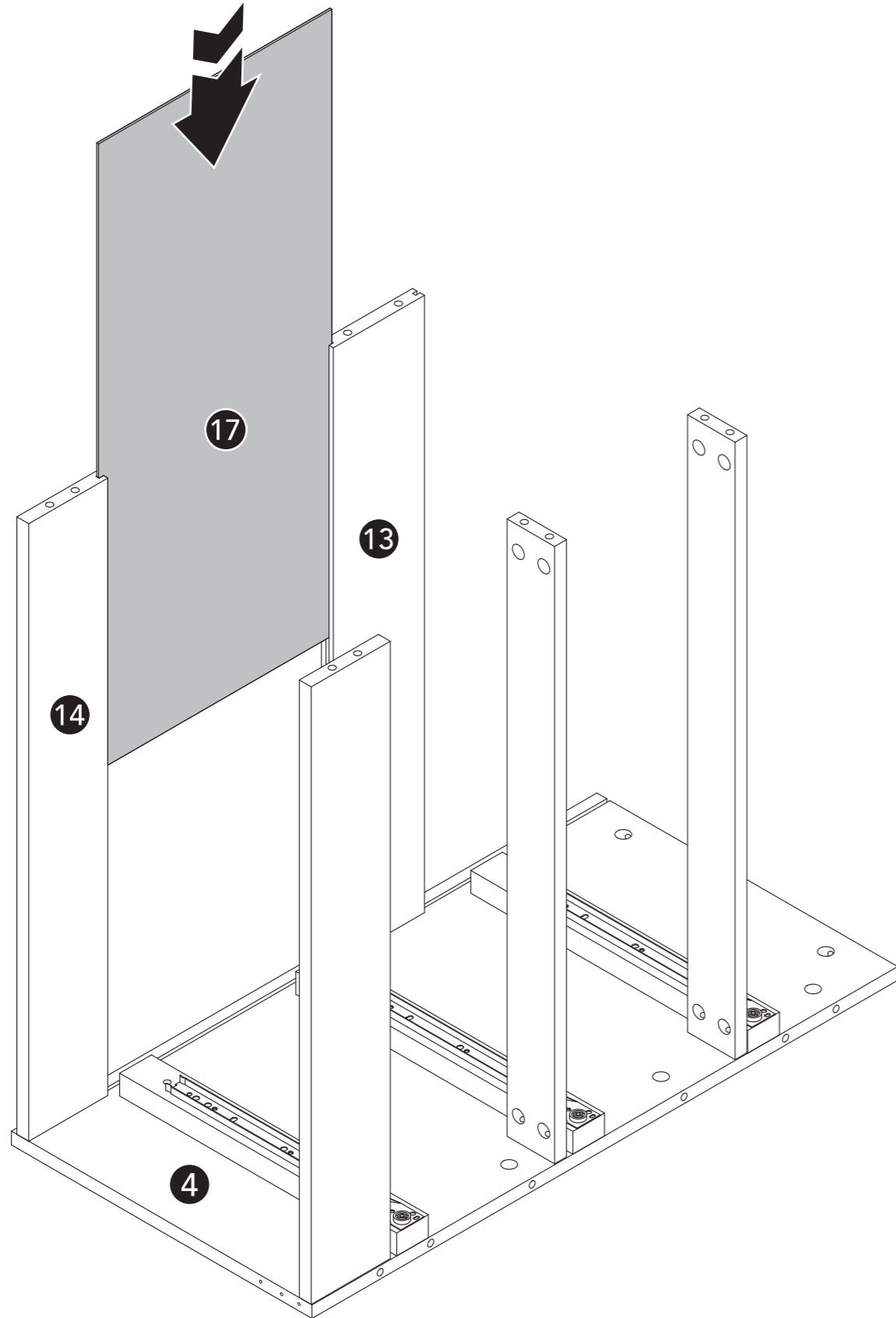
8



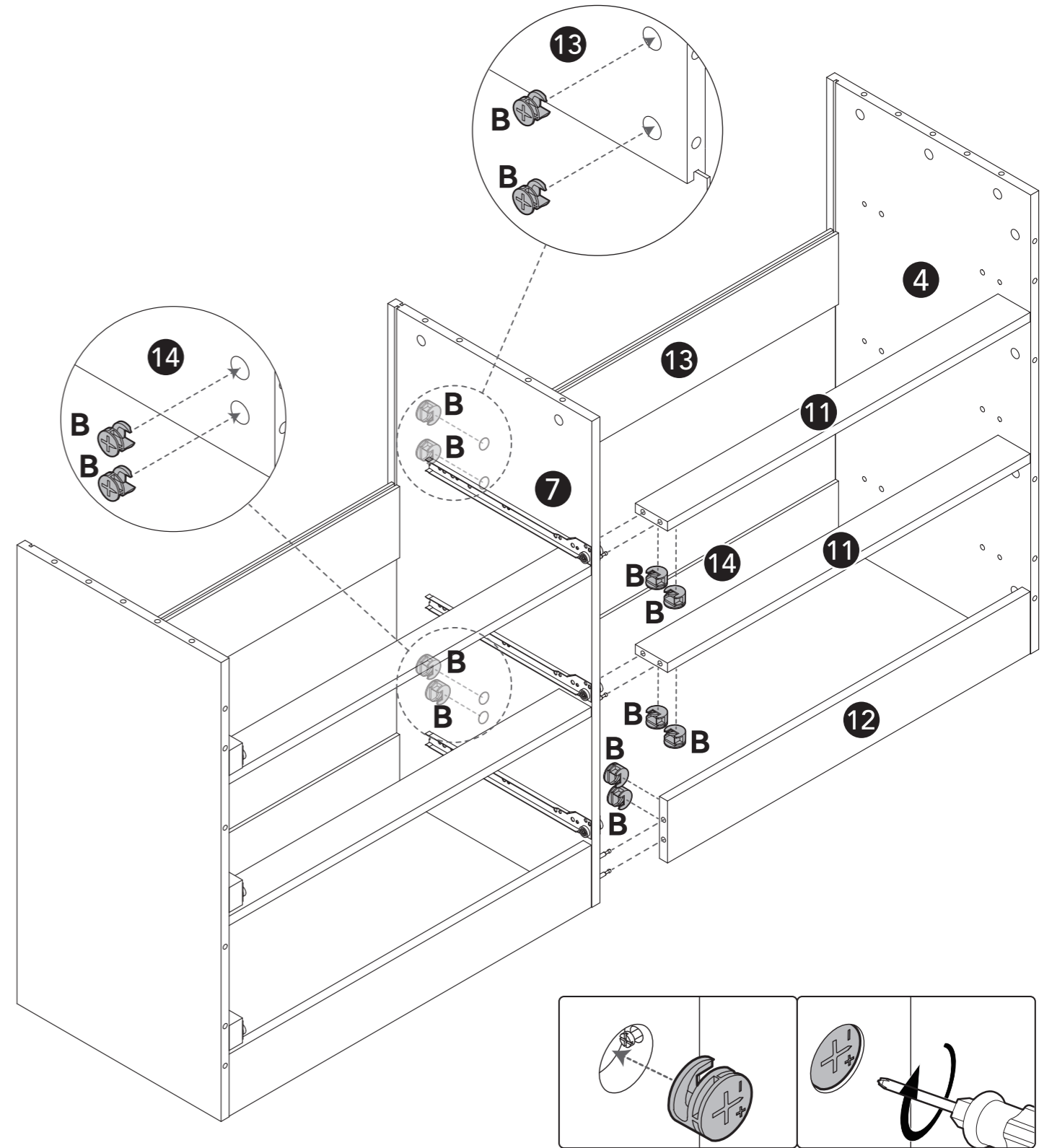
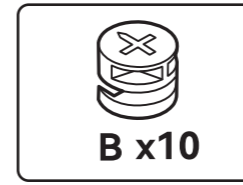
9



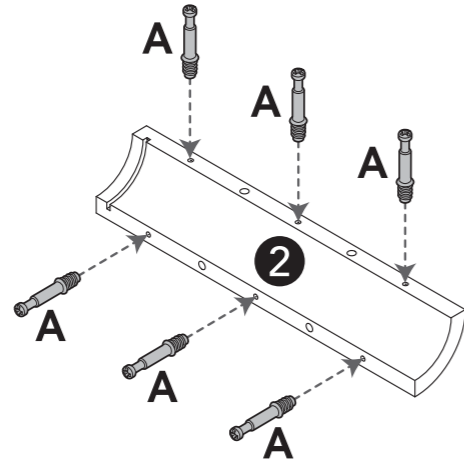
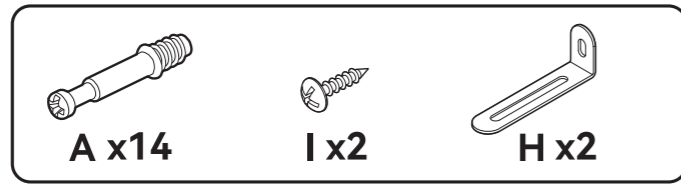
10



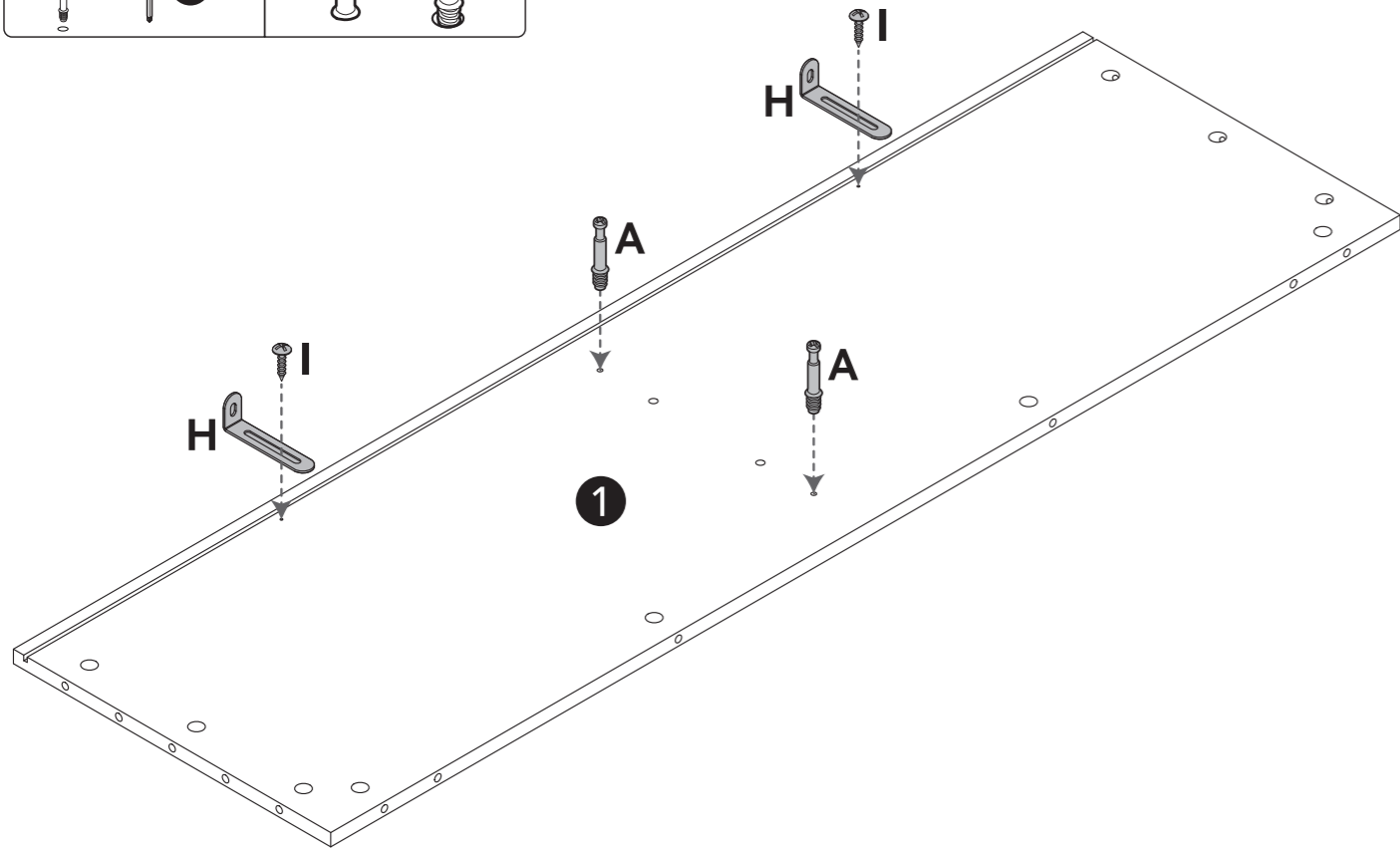
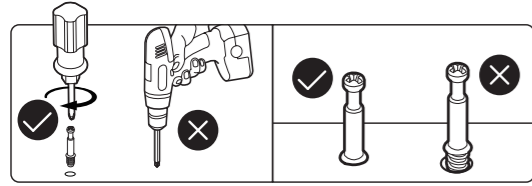
11



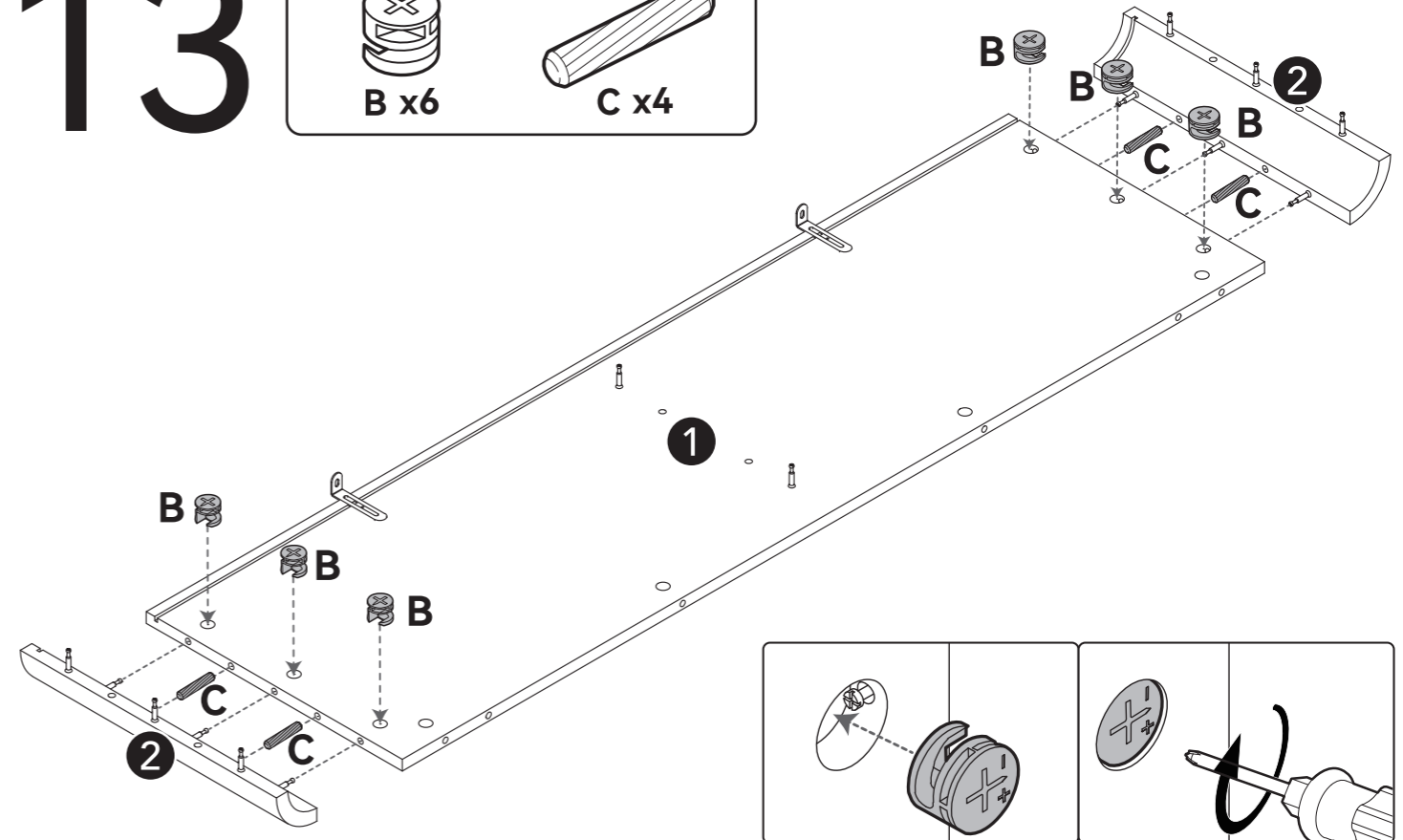
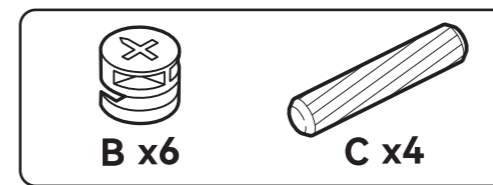
12



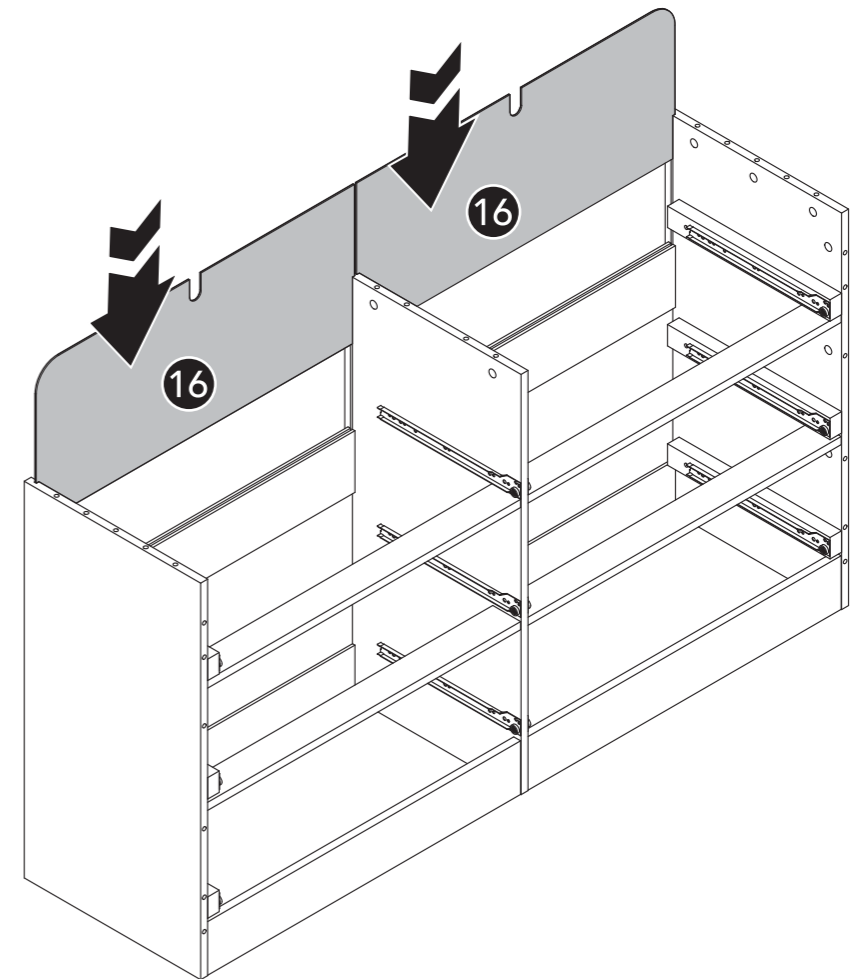
x 2



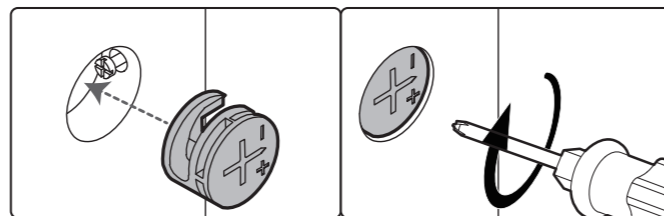
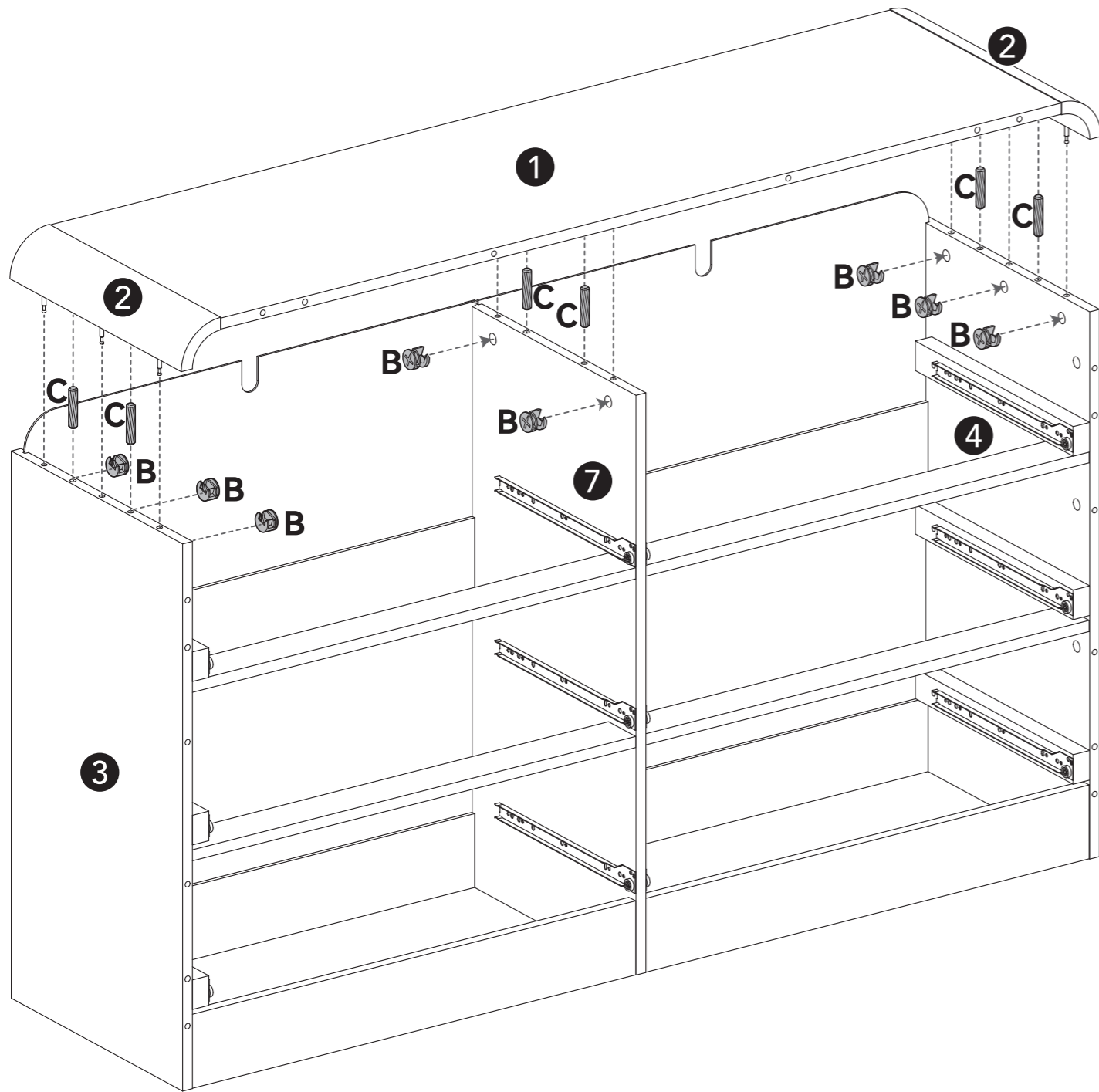
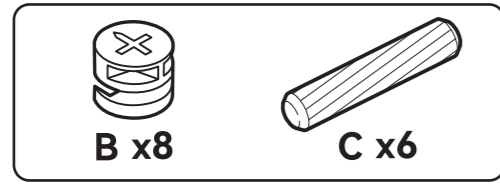
13



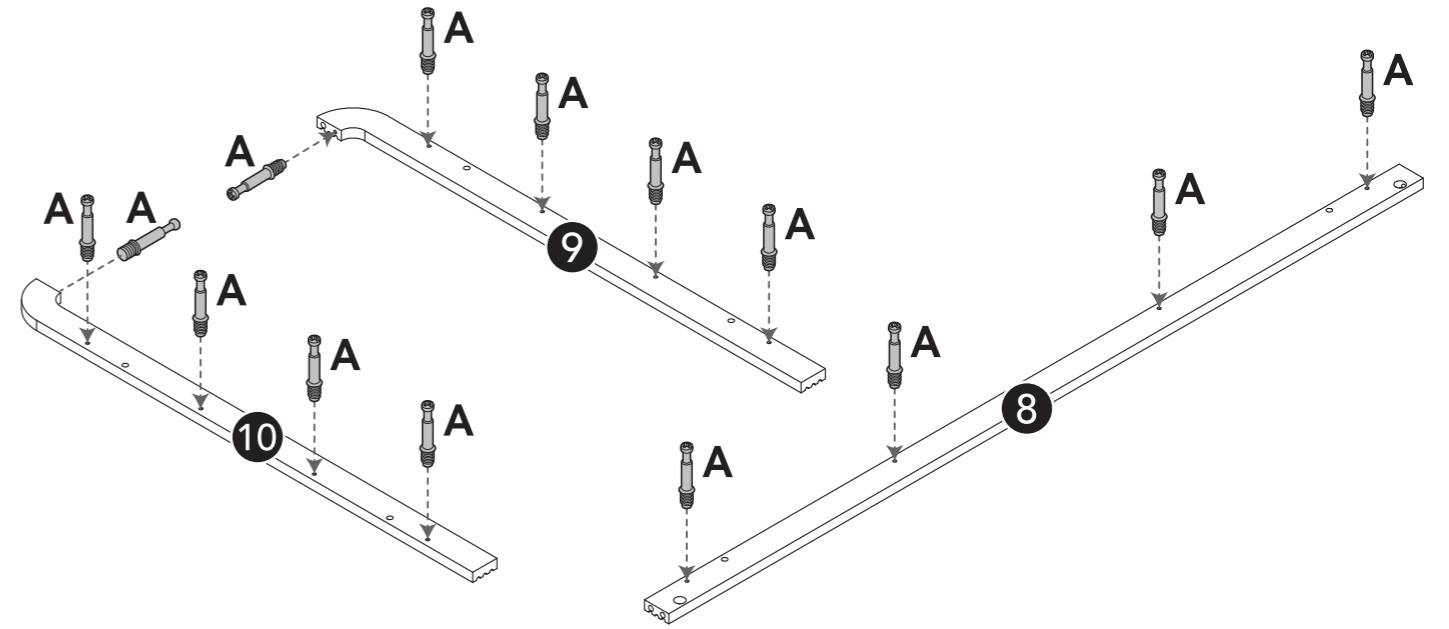
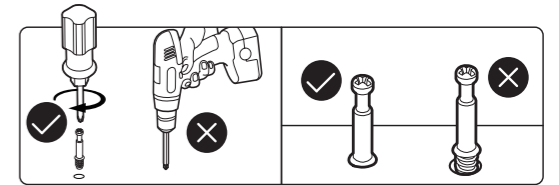
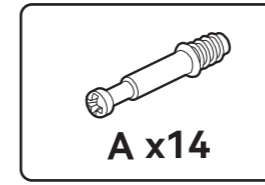
14



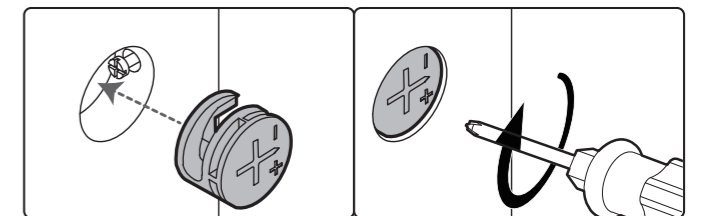
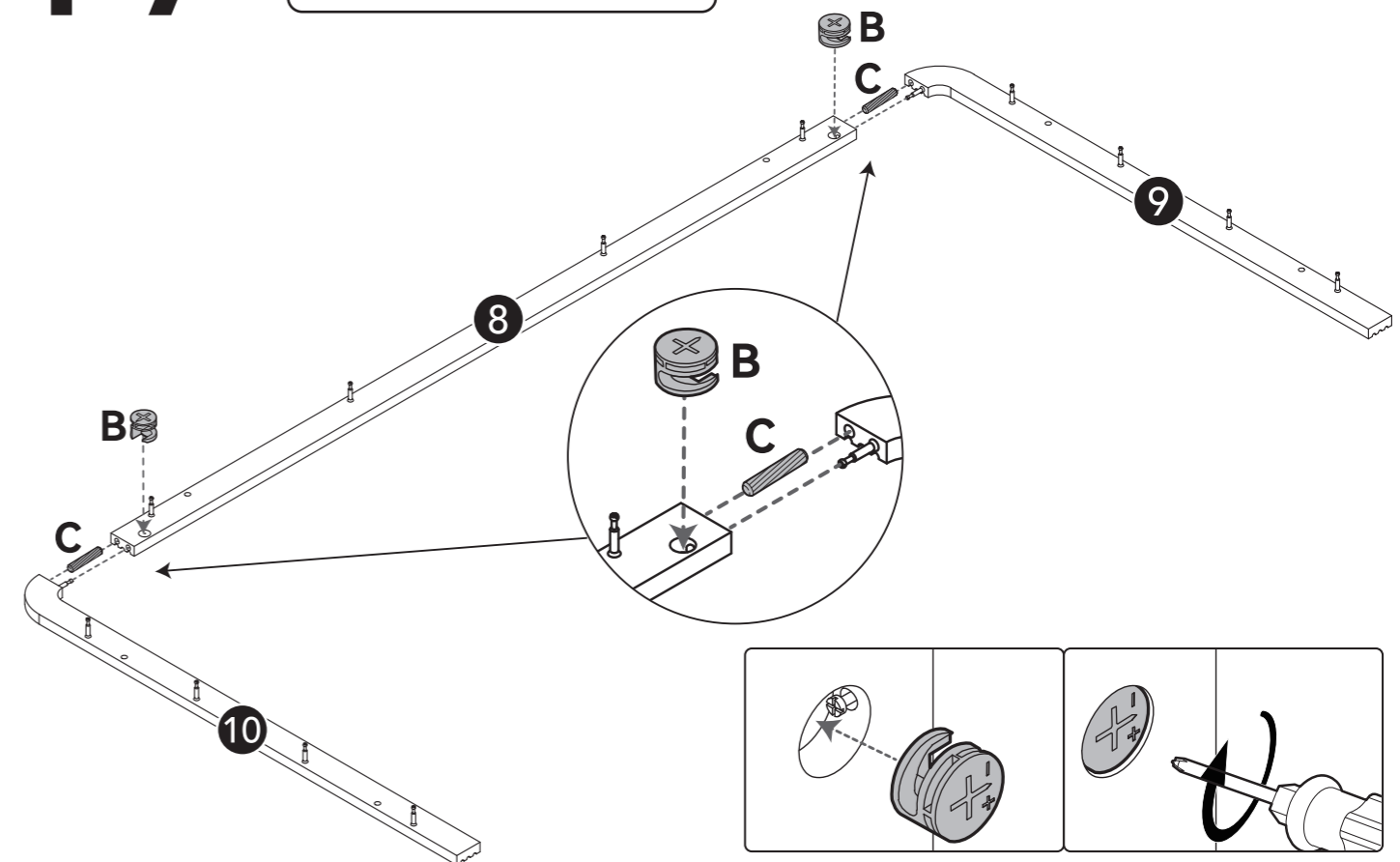
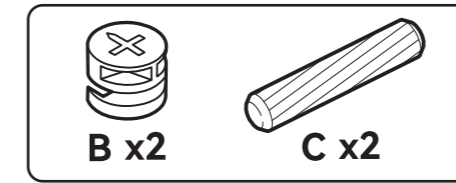
15



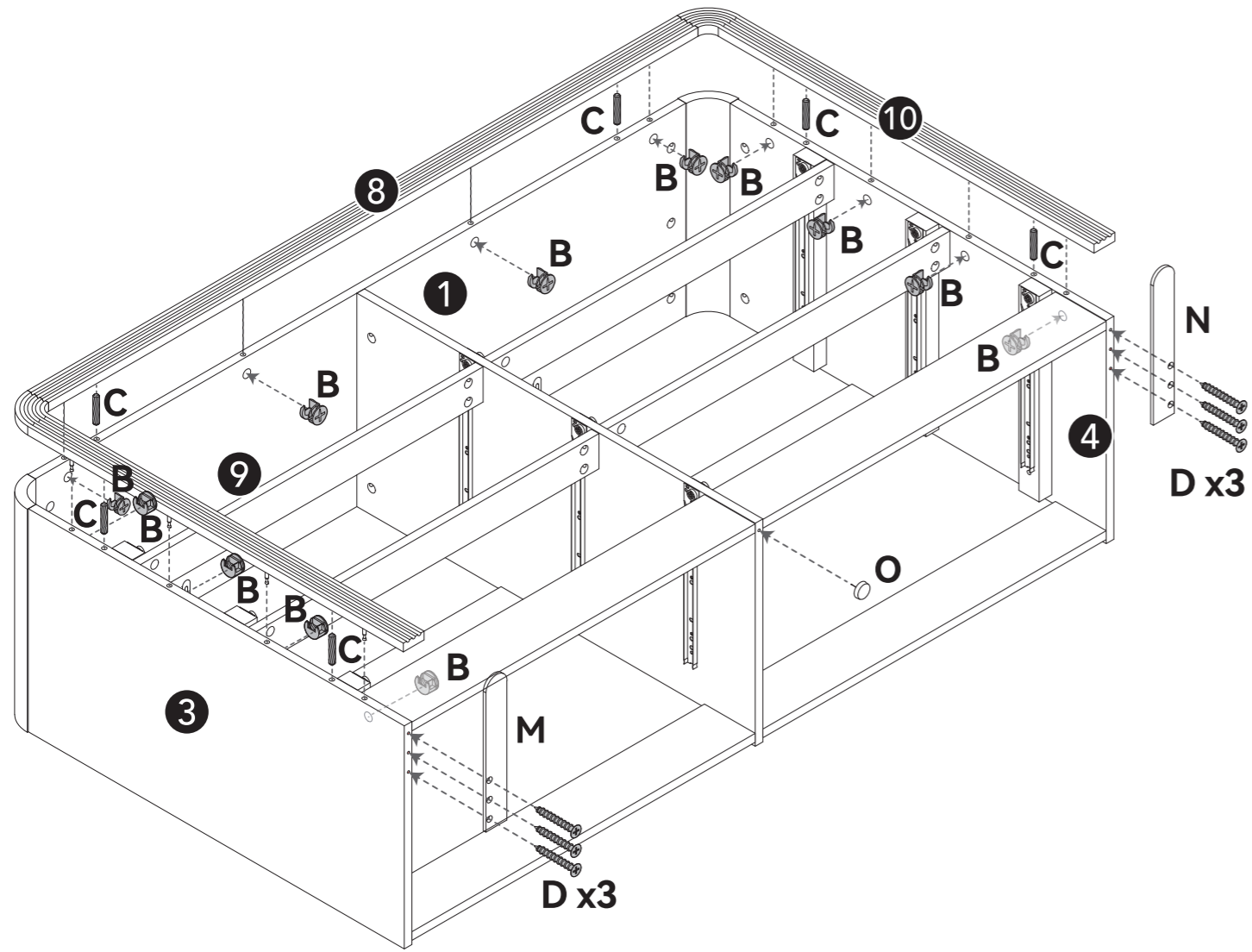
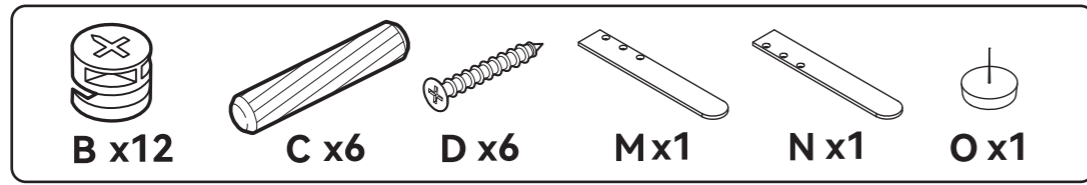
16



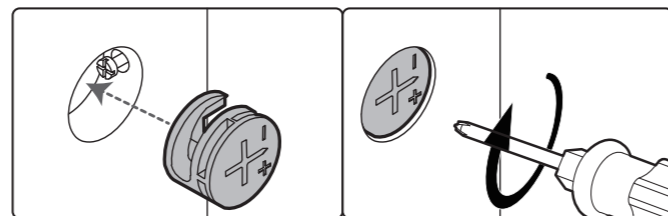
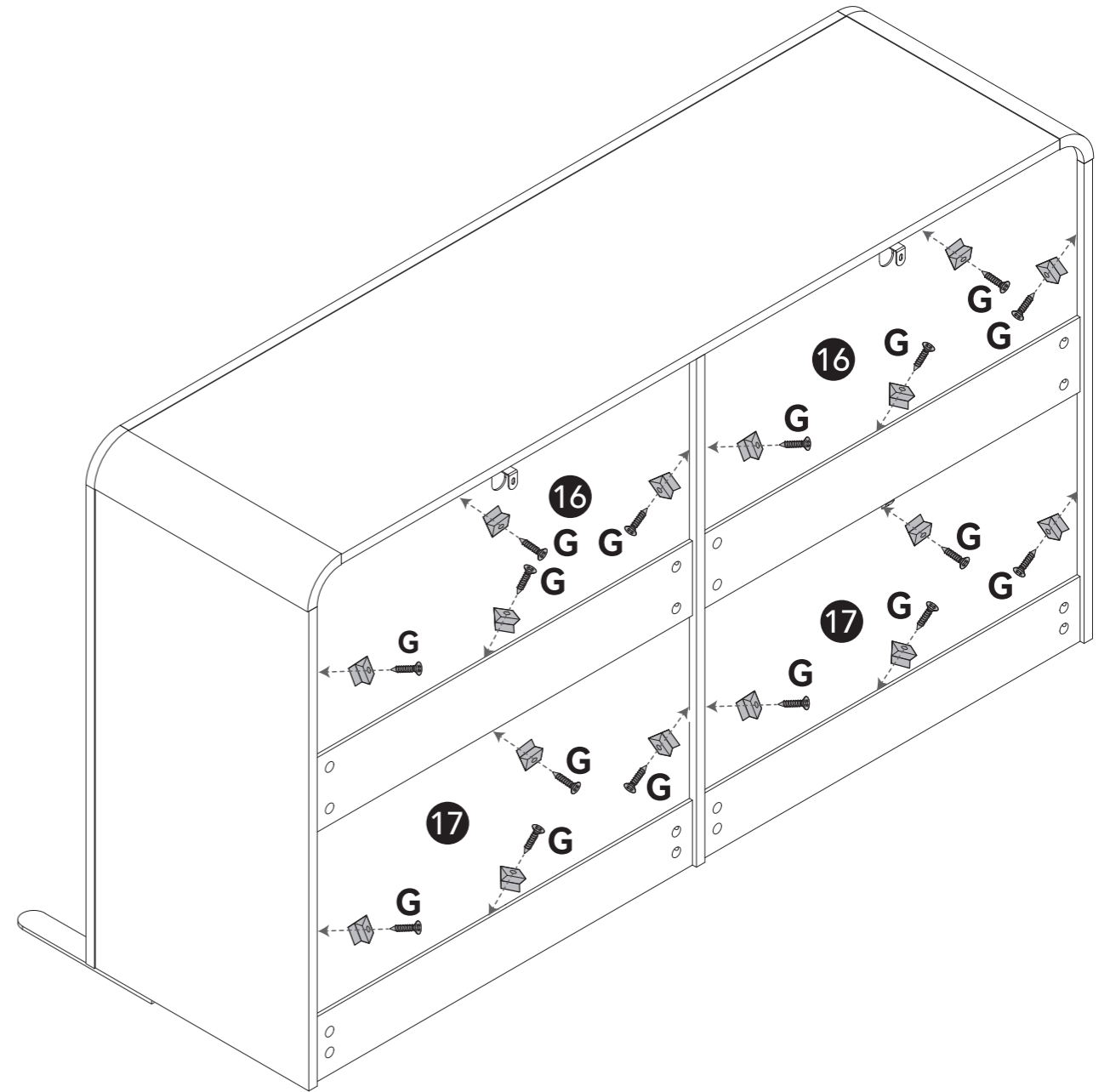
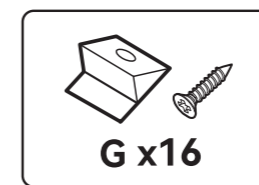
17



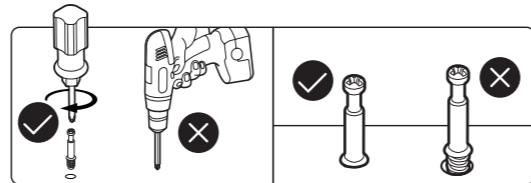
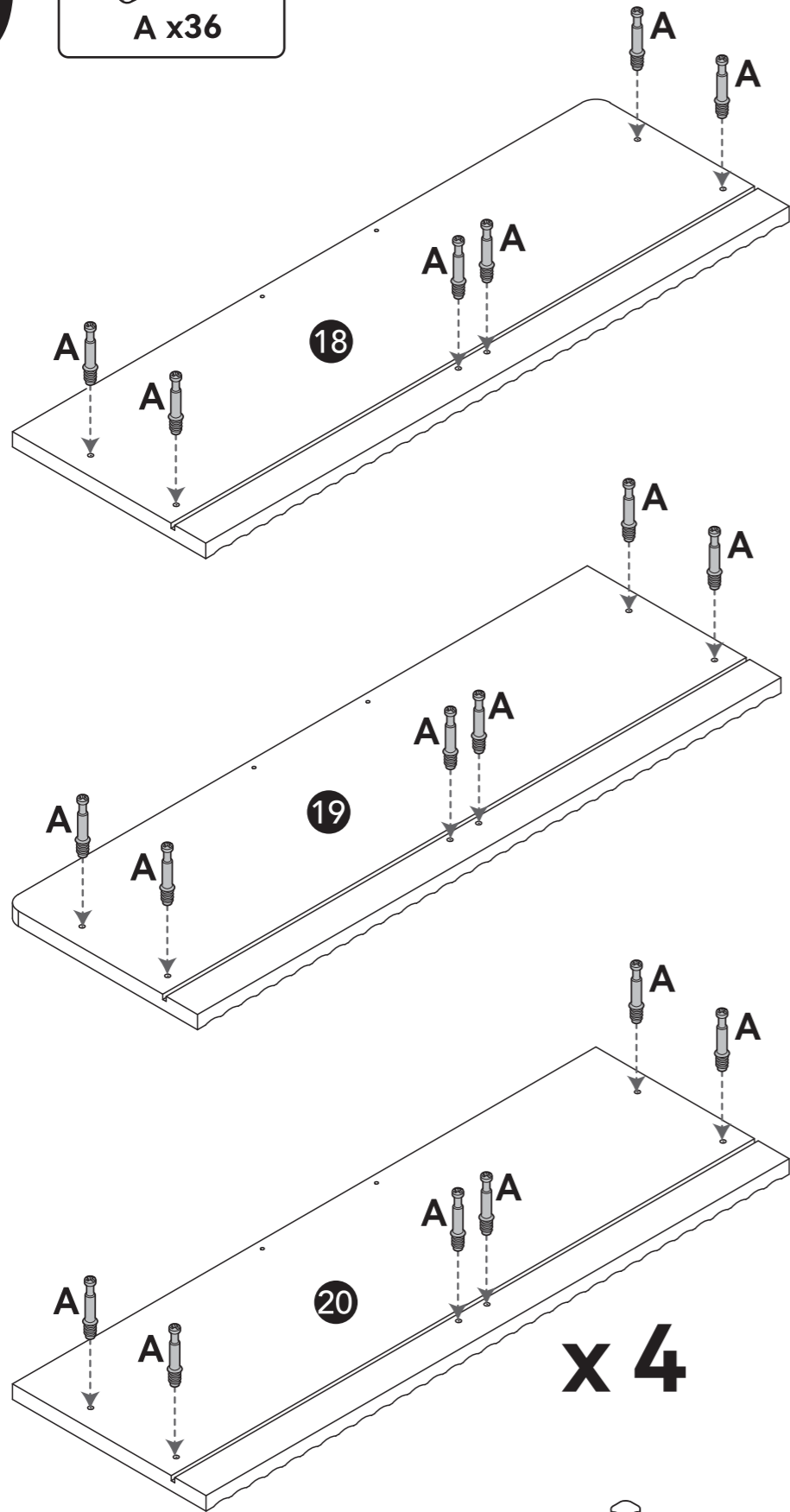
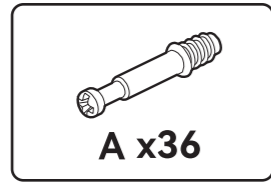
18



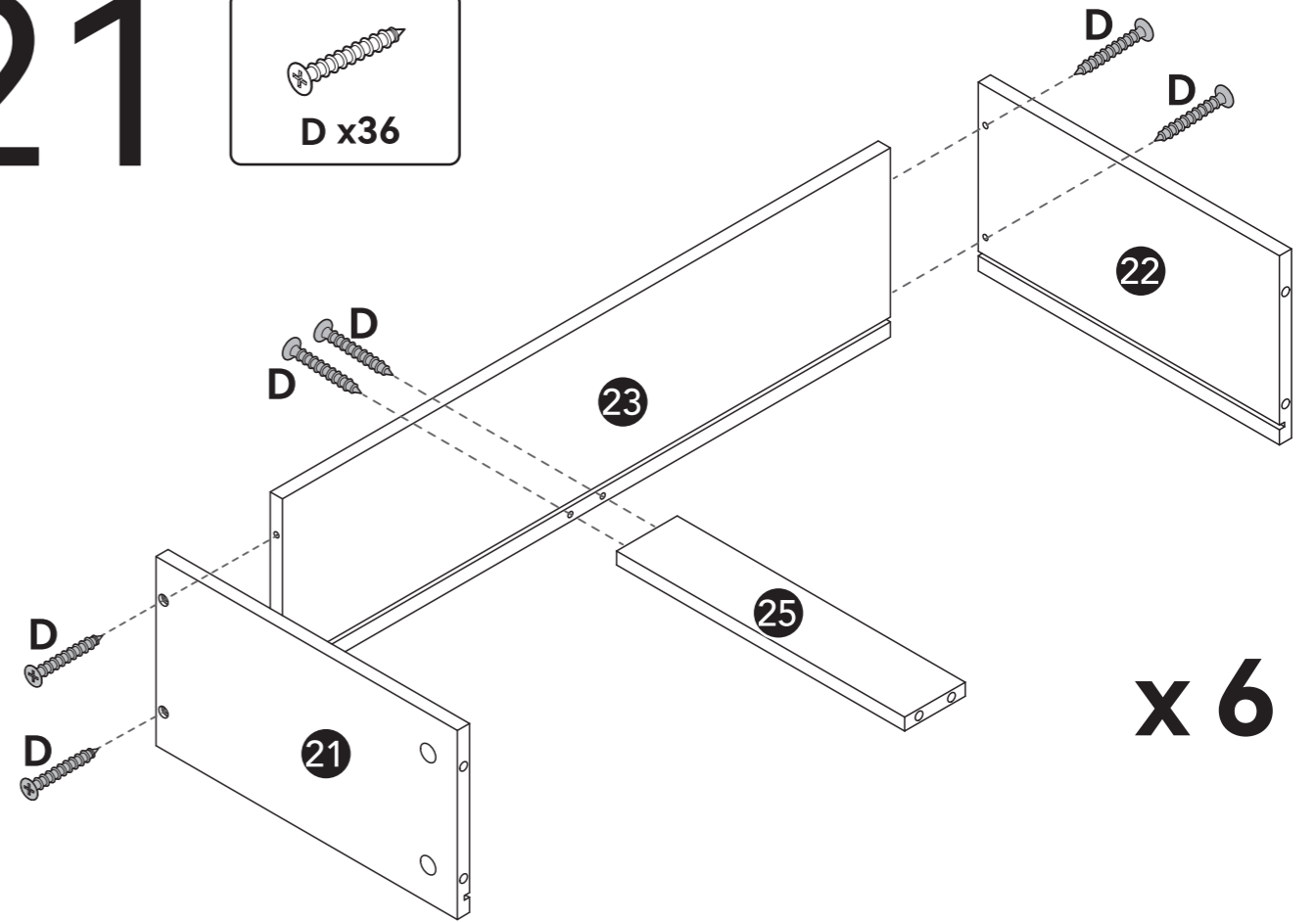
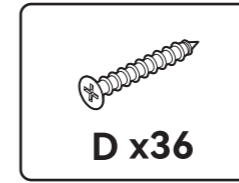
19



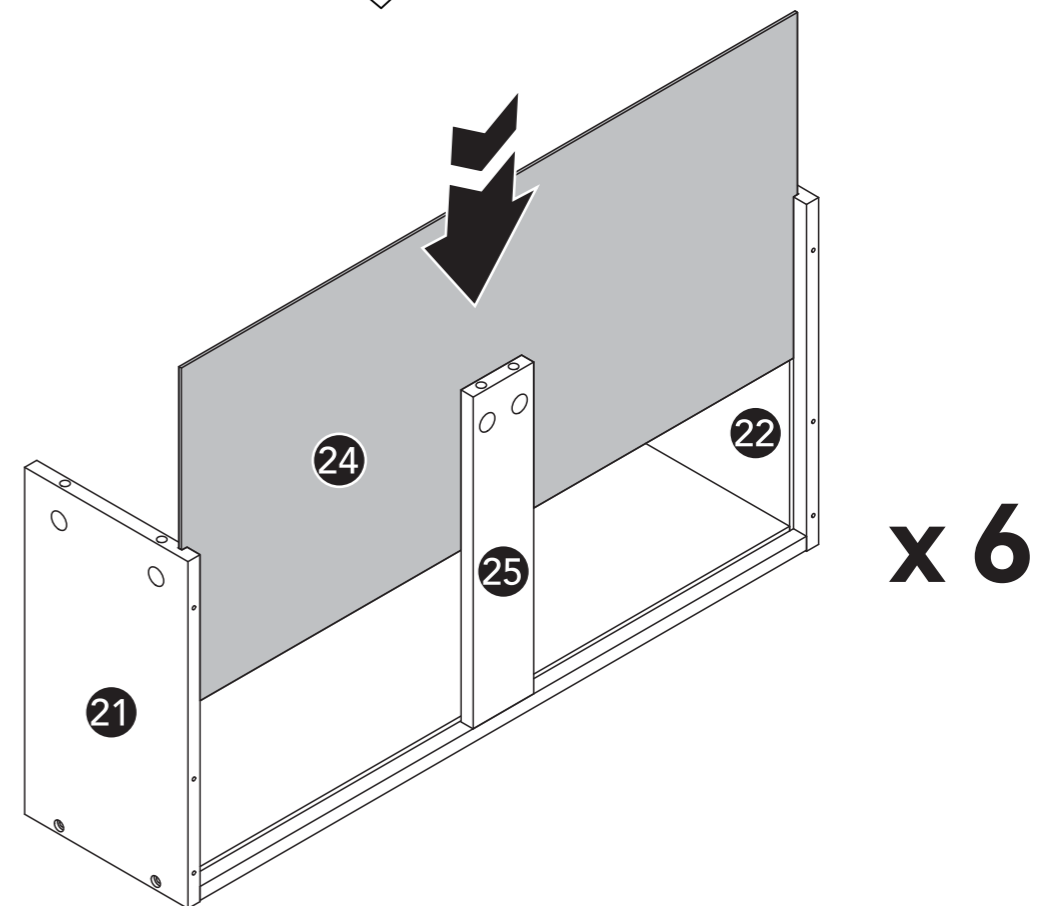
20



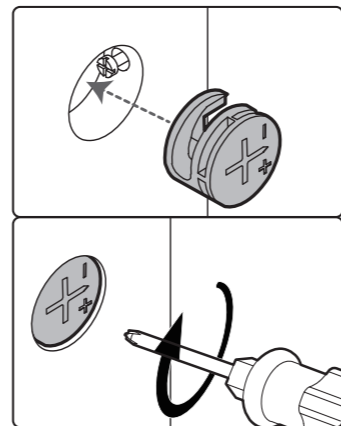
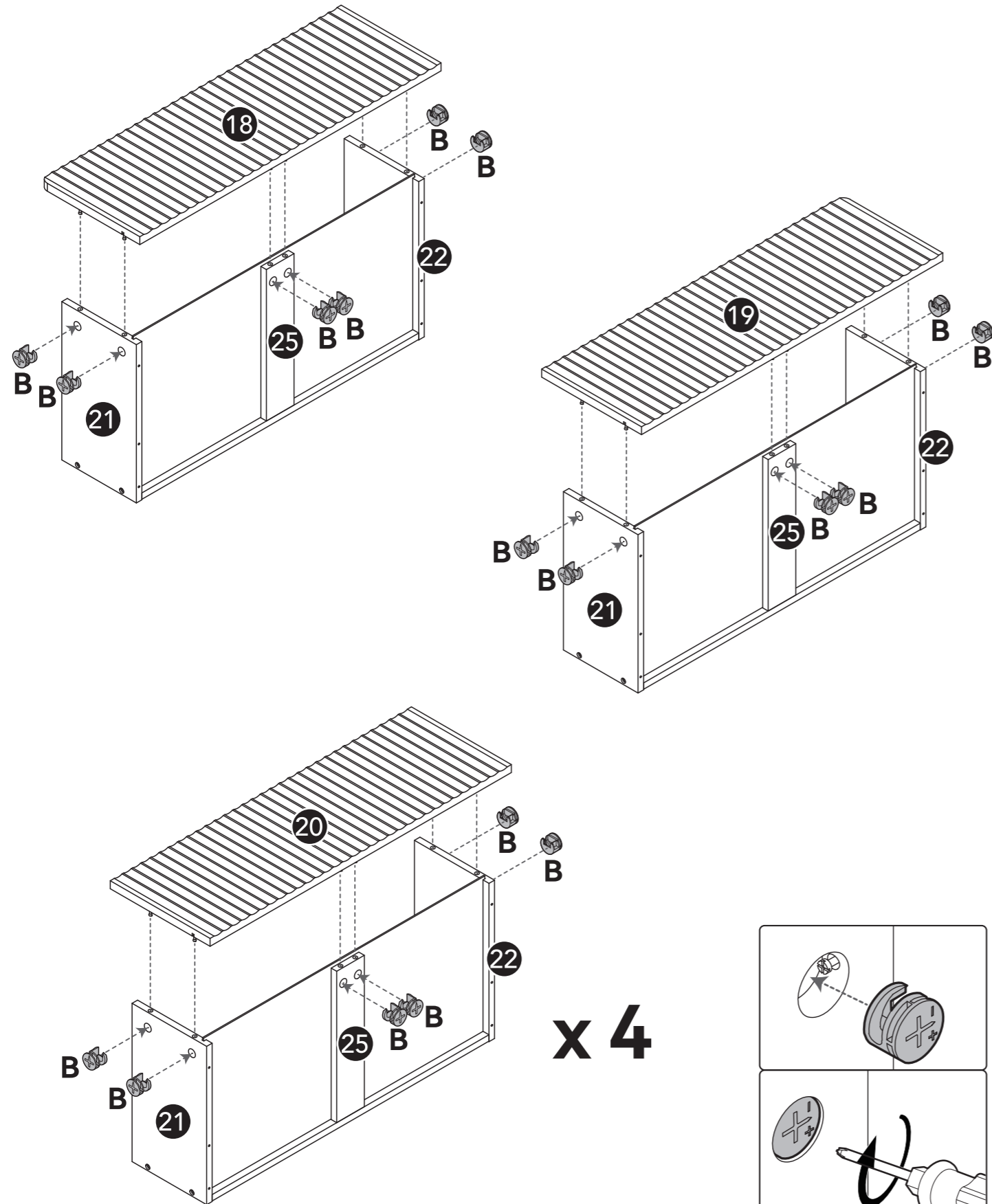
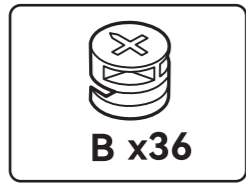
21



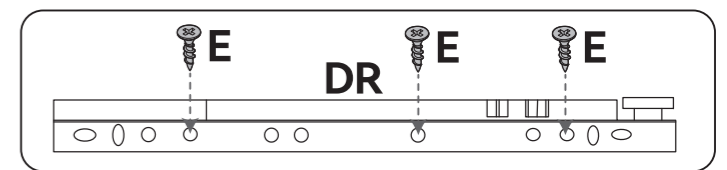
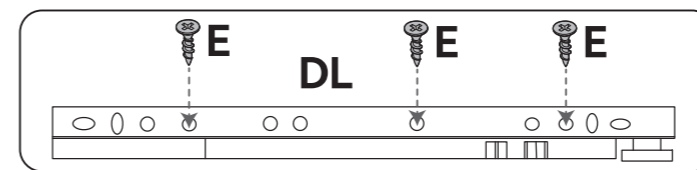
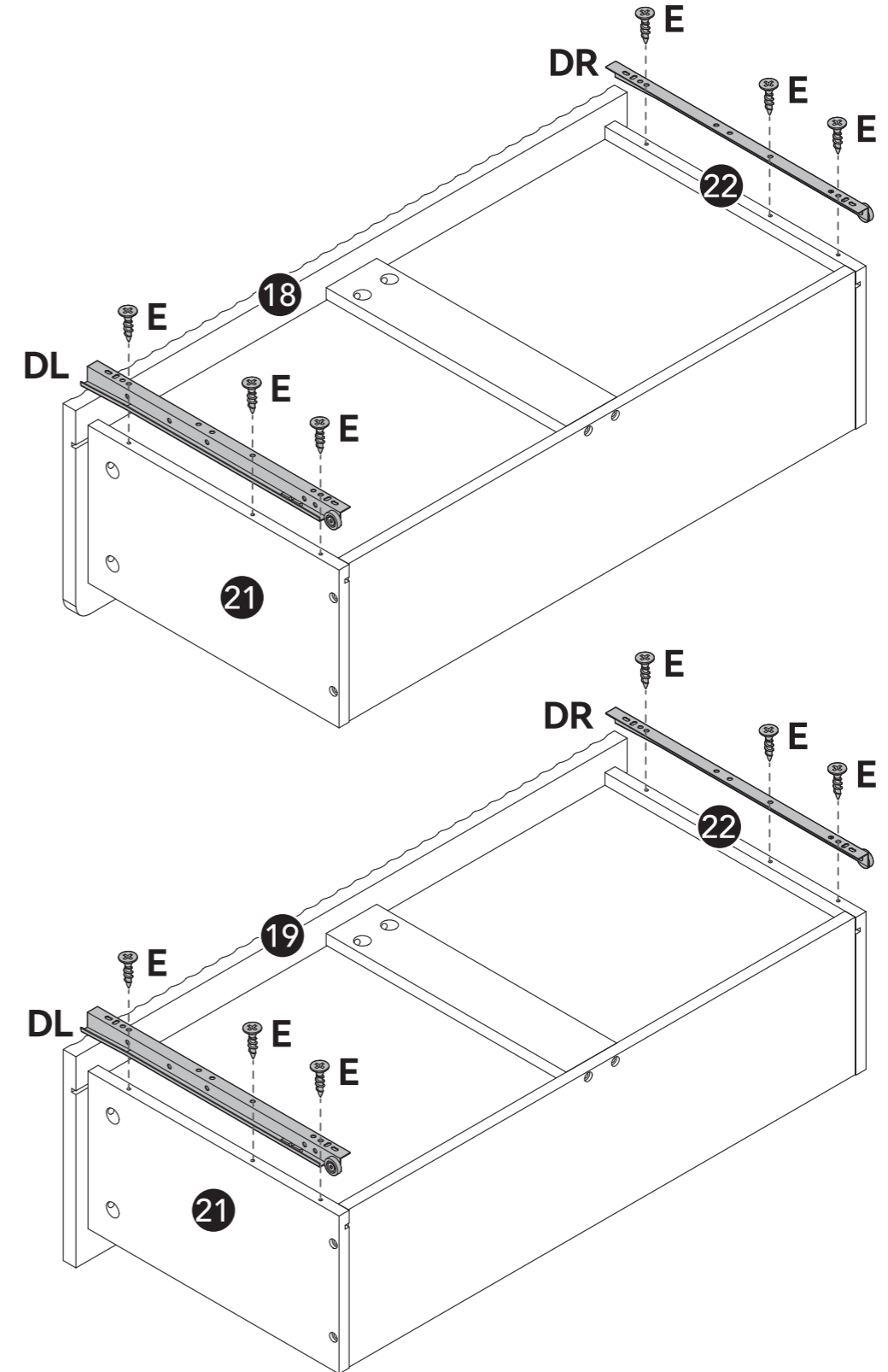
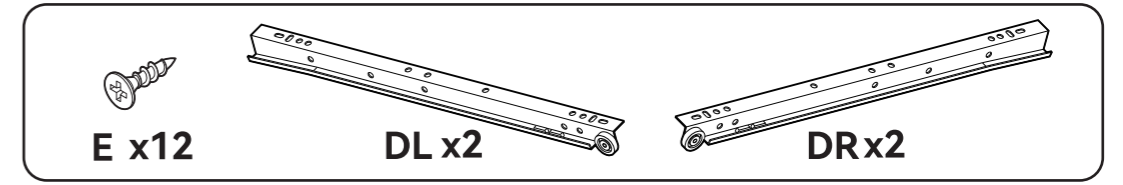
22



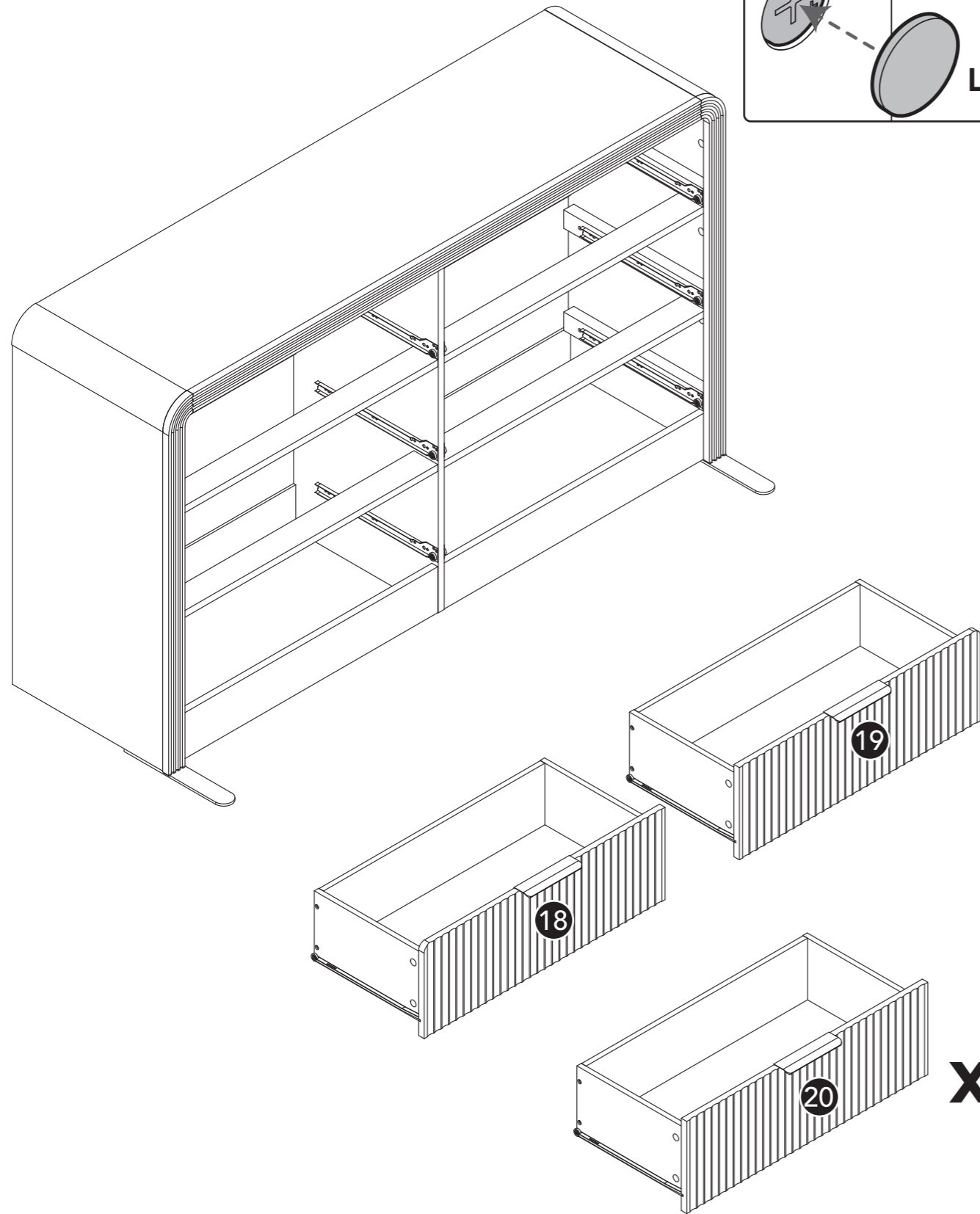
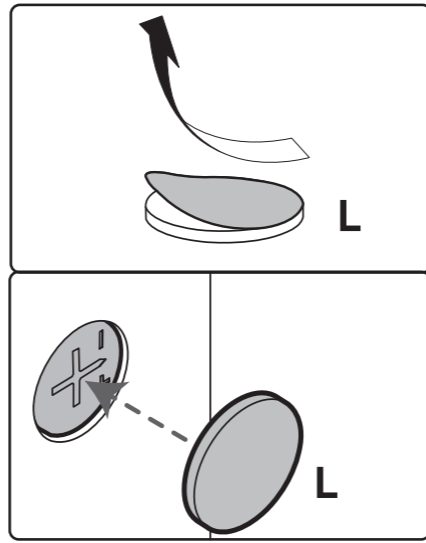
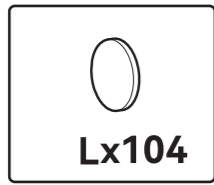
23



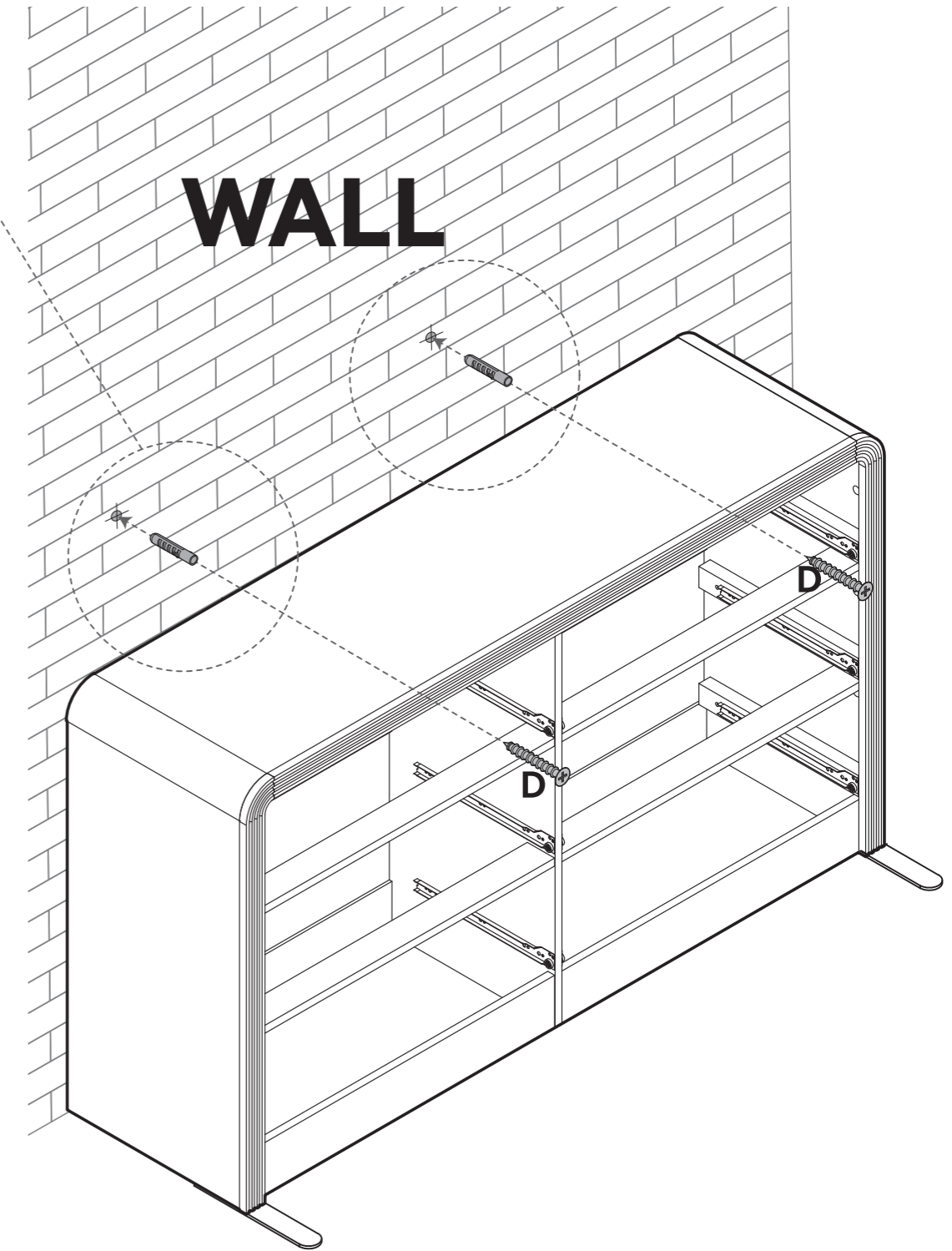
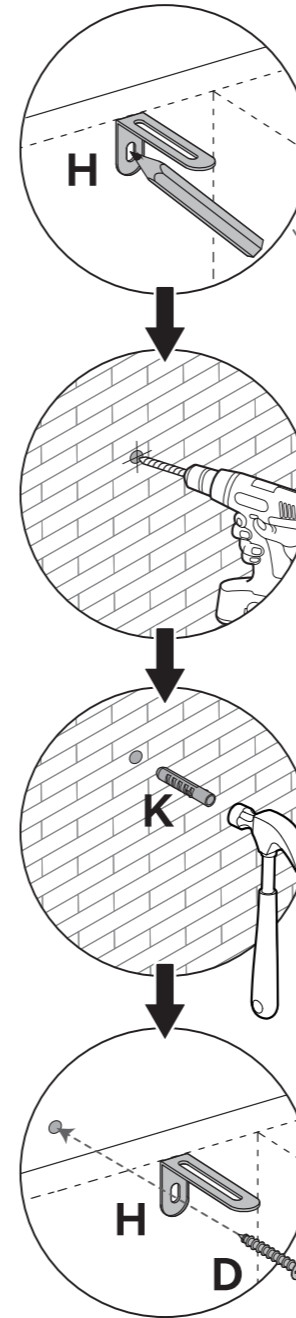
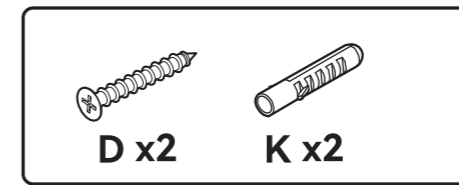
24



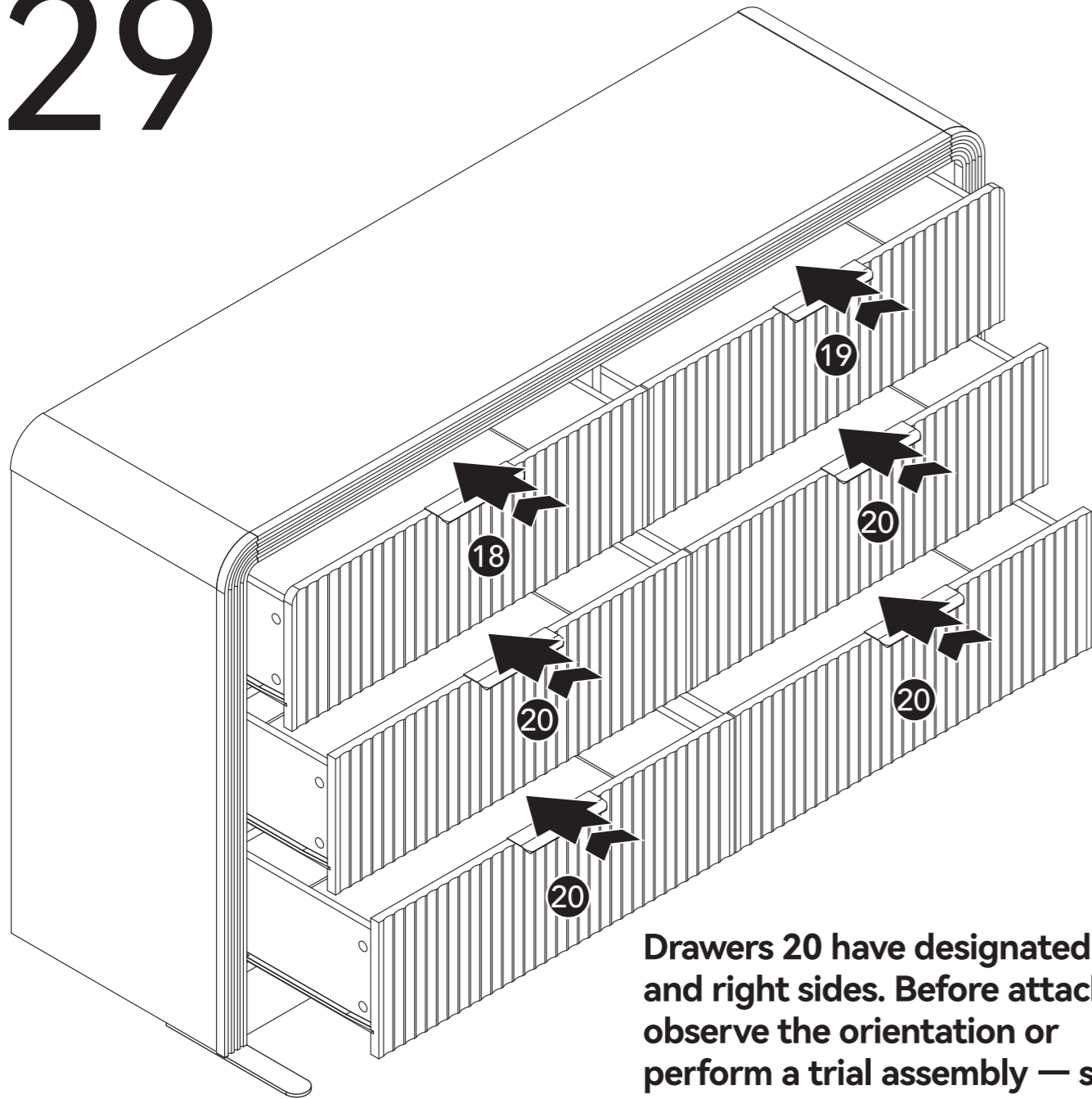
27



28



29



Drawers 20 have designated left and right sides. Before attaching, observe the orientation or perform a trial assembly — swap sides if needed.

