

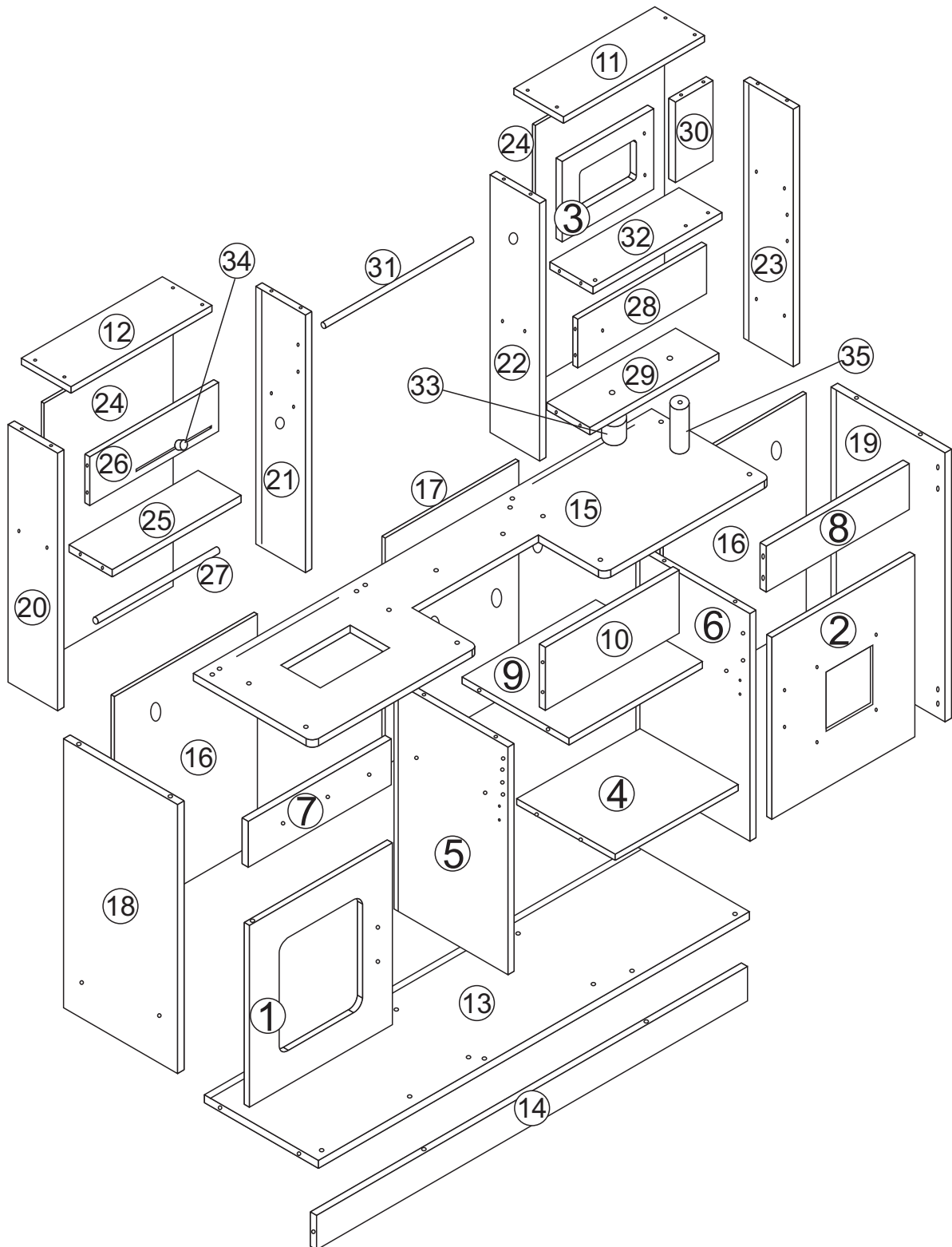
JOYLDIAS KID PLAY KITCHEN

User Manual

Please Note:

ADULT ASSEMBLY REQUIRED.

- Keep these instructions for future reference.
- Prior to assembly, this package contains small parts. Keep away from children until assembled.
- To prevent serious injury, children must not use the equipment until properly installed.
- Adult supervision required. Do not leave children unattended.





Before You Start

Please read all instructions carefully and keep it for future reference.

General Security Warning







Caution: Children should use this product under the parental supervision.

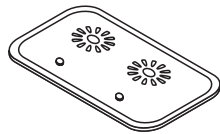
Danger: Keep all small parts and packaging materials for this product away from babies and children, otherwise they may pose a choking hazard.

Danger: Lack of attachment may cause a risk of tipping.



WARNING:
CHOKING HAZARD
- Smallparts
Not for children under 3 years.

-  Assembled only by adults
-  Remove all packaging, separate and count all parts and hardware.
-  Read through each step carefully and follow the proper order.
-  We recommend that, where possible, all items are assembled near the area in which they will be placed in use, to avoid moving the product unnecessarily once assembled.
-  Ensure a secure surface during installation, and always place the product on a flat, steady and stable surface.
-  The instruction sheet must be retained since it contains important information.

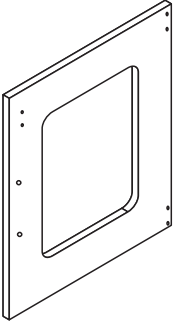
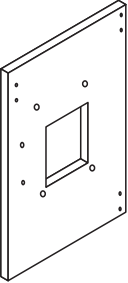
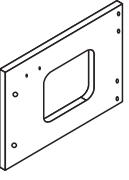
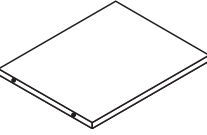
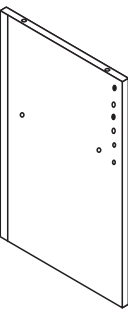
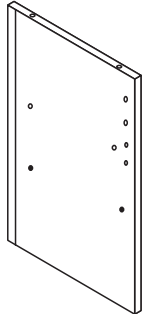
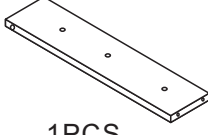
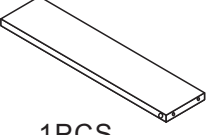
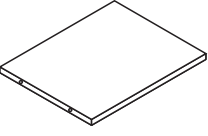
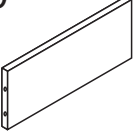
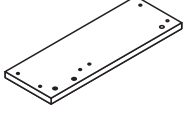
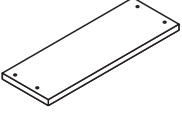
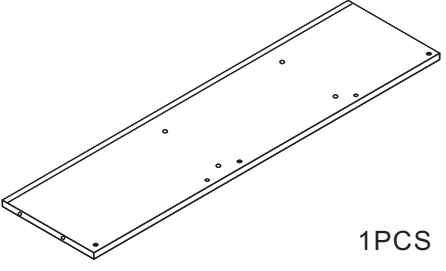
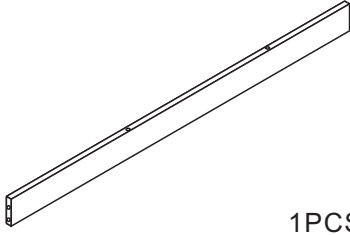
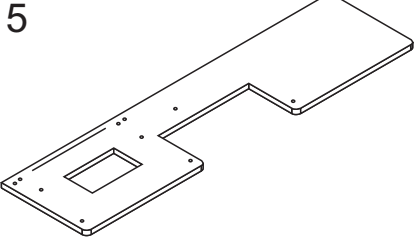
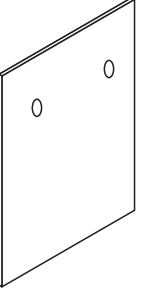
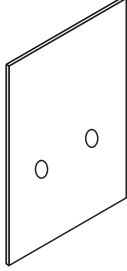
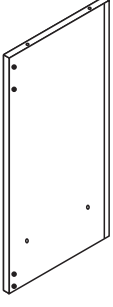
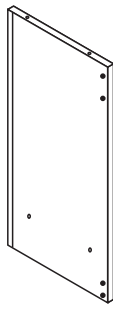
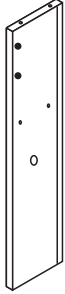
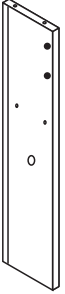


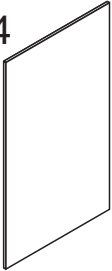
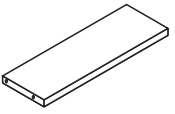
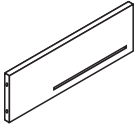

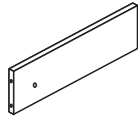
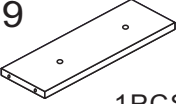

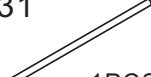








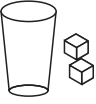
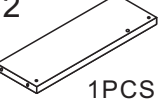






BATTERY MODEL(1.5V AAAX2PCS)

Open the battery cover of the toys with screwdriver, and then insert the batteries into the battery compartment, then close the battery cover with screwdriver, and tighten the screw.

Warning!

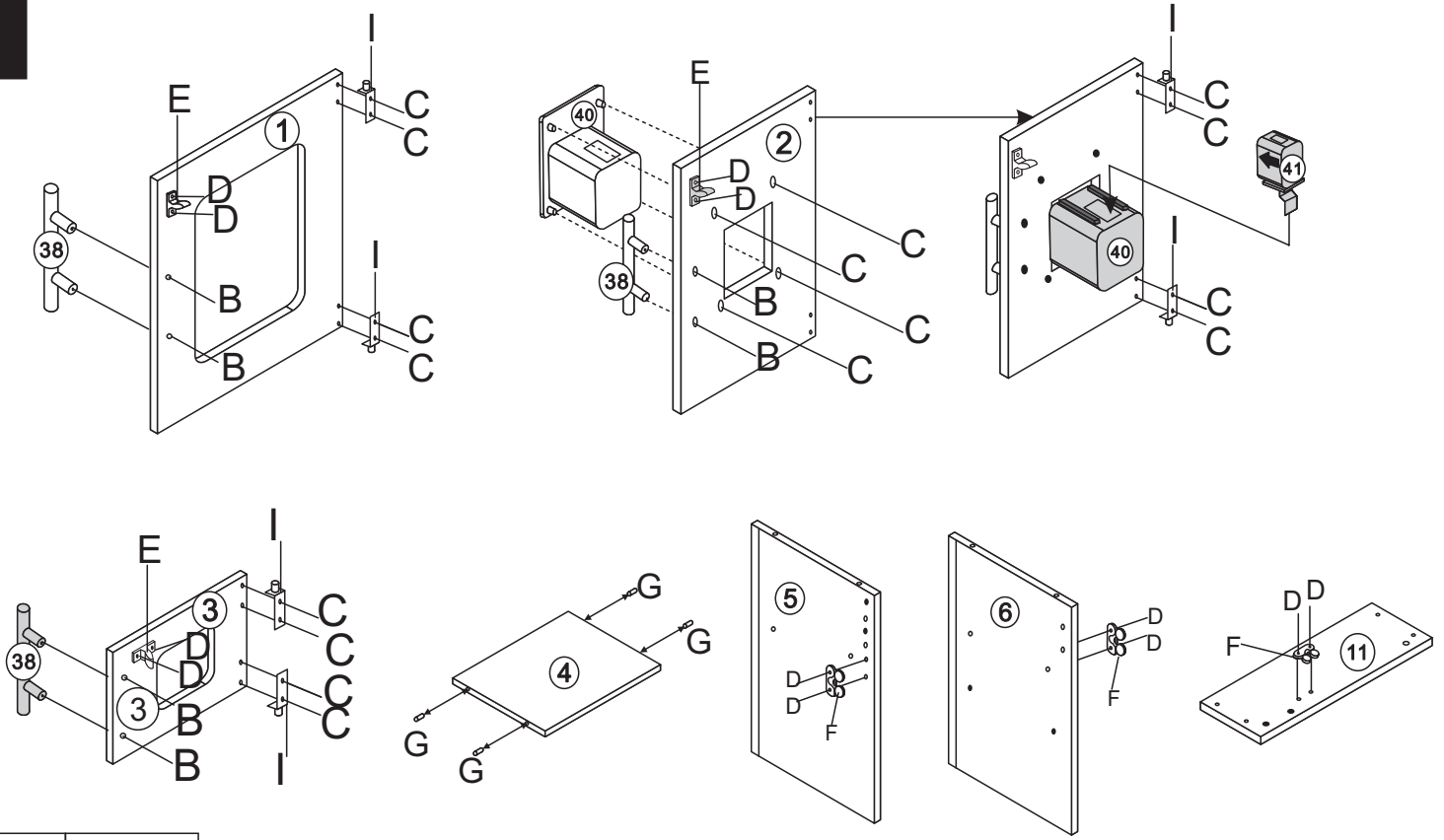
1. Non-rechargeable batteries are not to be recharged;
2. Rechargeable batteries should be charged under adult supervision;
3. Do not mix old and new batteries;
4. Do not mix alkaline standard (carbon-zinc), or rechargeable (nickel-cadmium) batteries;
5. Batteries are to be inserted with the correct polarity (+ and-);
6. Exhausted batteries are to be removed from the toy;
7. The supply terminals are not to be short-circuited;
8. This toy produces flashes that may trigger epilepsy in sensitized individuals;
9. If a fastener is used to secure the battery compartment, it shall remain attached to the toy or battery compartment cover;
10. Conforms to ASTM D4236;
11. Age: 3+ ;

1  1PCS	2  1PCS	3  1PCS	4  1PCS	5  1PCS	6  1PCS					
7  1PCS	8  1PCS	9  1PCS	10  1PCS	11  1PCS	12  1PCS					
13  1PCS		14  1PCS		15  1PCS						
16  2PCS	17  1PCS	18  1PCS	19  1PCS	20  1PCS	21  1PCS					
22  1PCS	23  1PCS	24  2PCS	25  1PCS	26  1PCS	27  1PCS	28  1PCS	29  1PCS			
						30  1PCS				
31  1PCS	33  1PCS	35  1PCS	37  1PCS	38  3PCS	39  4PCS	40  1PCS	42  1PCS	44  2PCS	45  1PCS	
32  1PCS	34  1PCS	36  1PCS			41  1PCS		43  2PCS			

 **Ax50** ($\varnothing 4 \times 30 \text{mm}$)
 **Bx19** ($\varnothing 4 \times 18 \text{mm}$)
 **Cx20** ($\varnothing 4 \times 8 \text{mm}$)
 **Dx12** ($\varnothing 3 \times 8 \text{mm}$)
 **Ex3**
 **Fx3**
 **Gx30** ($\varnothing 5 \times 25 \text{mm}$)

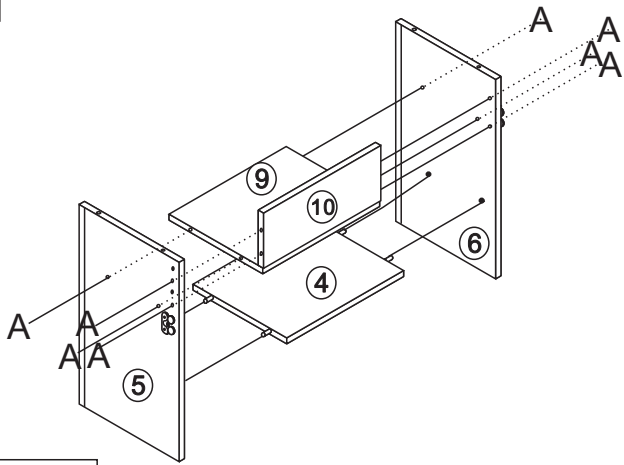
 **Hx2**
 **Ix6**
 **Jx4**
 **Kx2**

1



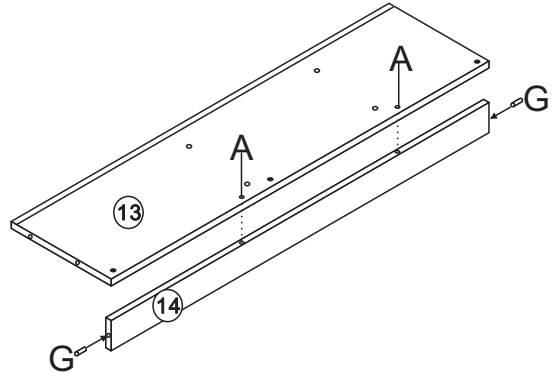
Bx6	Fx3
Cx16	Gx4
Dx12	Lx6
Ex3	

2



Ax8

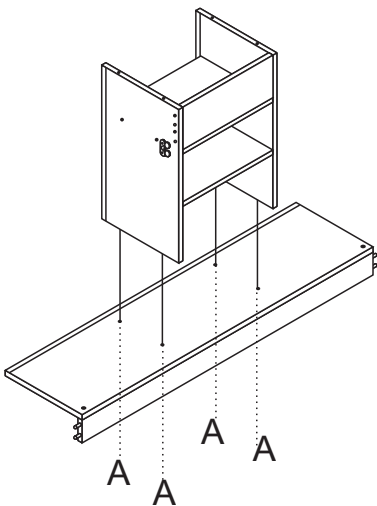
3



Gx2

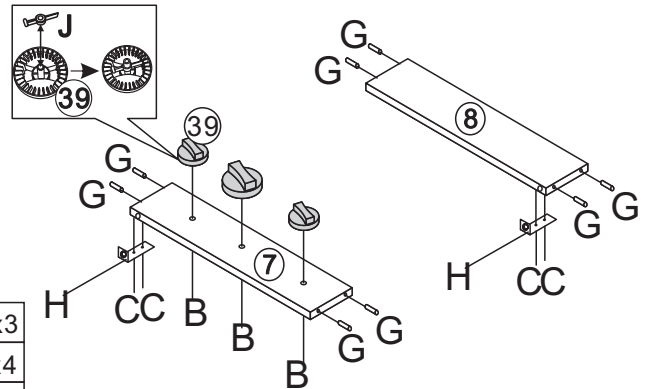
Ax2

4



Ax4

5



Bx3

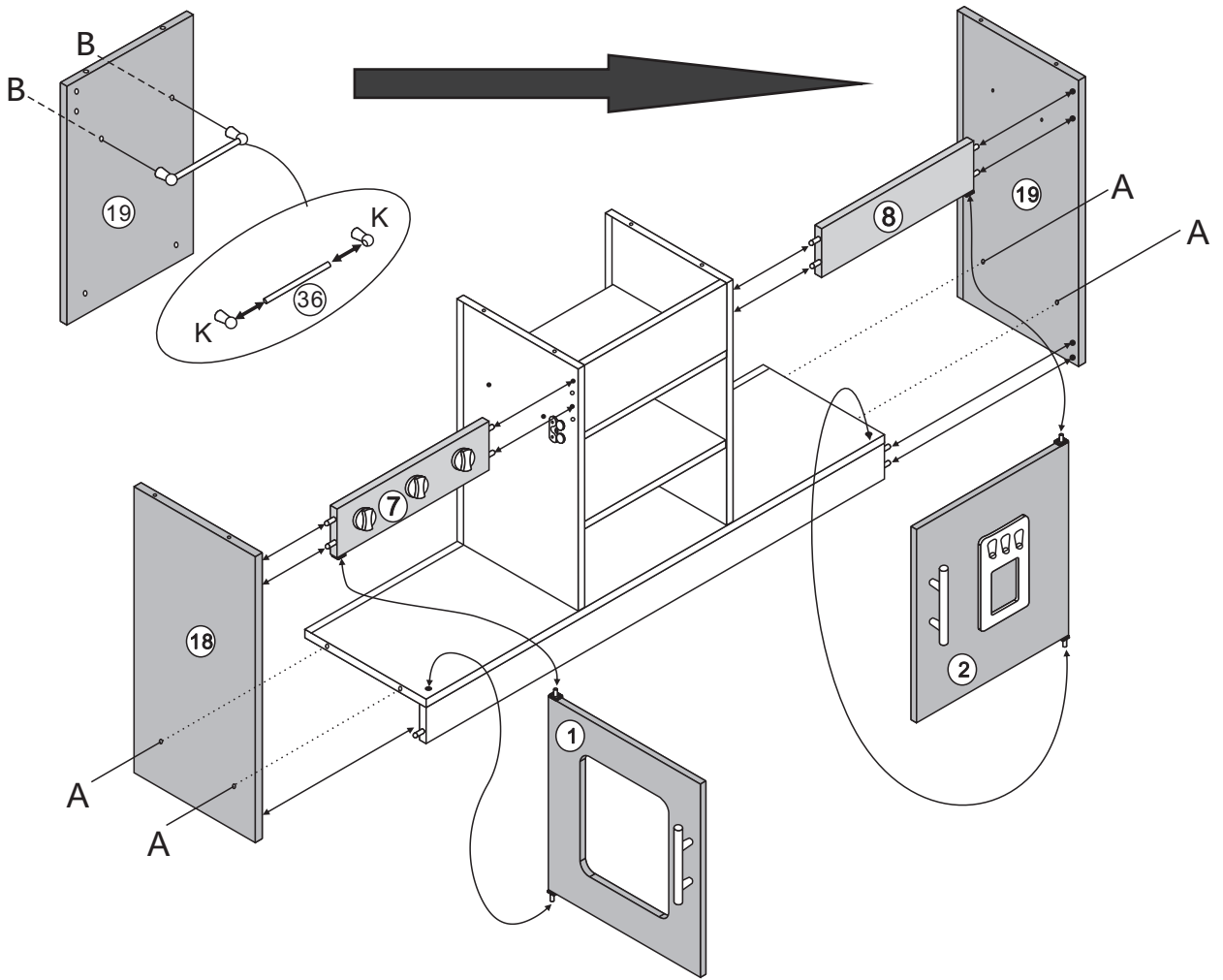
Cx4




Gx8

Hx2

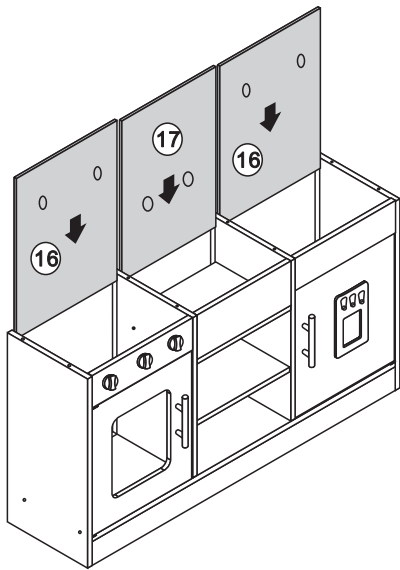
Jx3

6

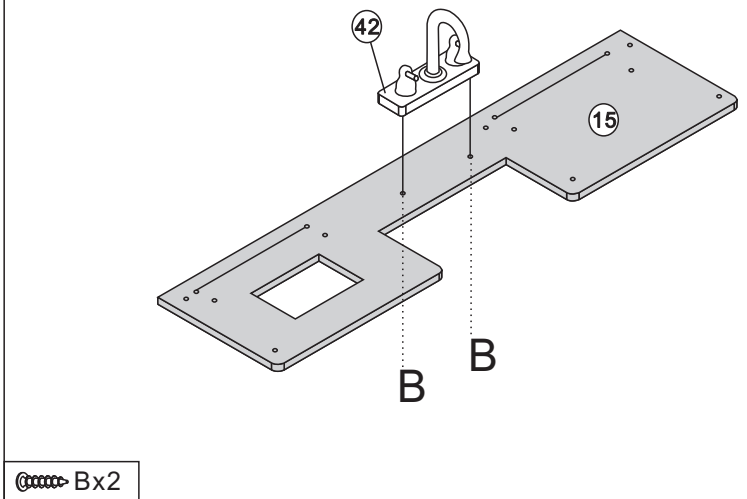


-  Ax4
-  Bx2
-  Kx2

7

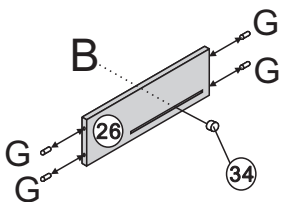


8



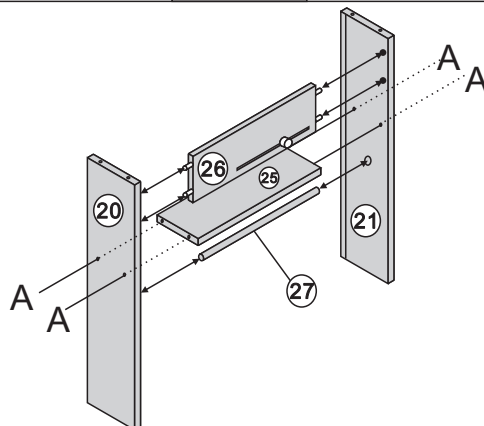
-  Bx2

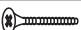
9



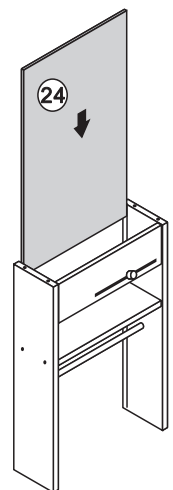
-  Gx4
-  Bx1

10

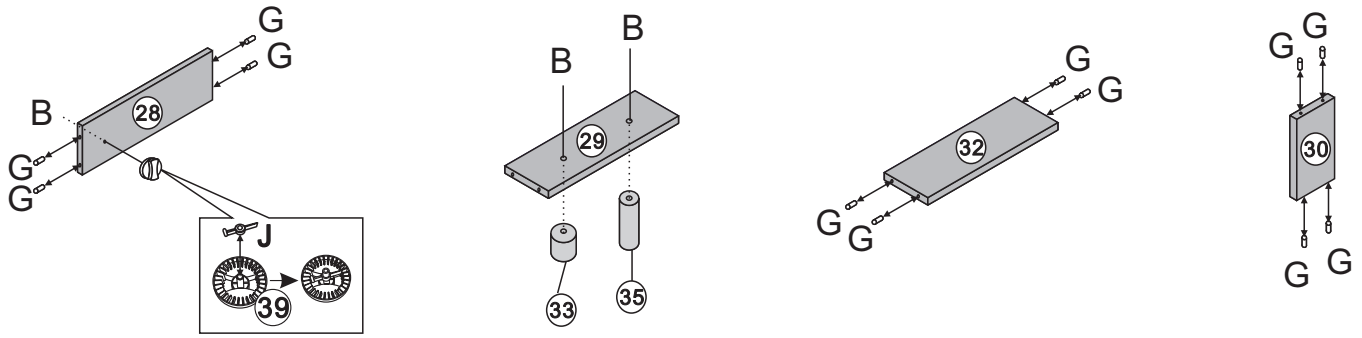


-  Ax4

11

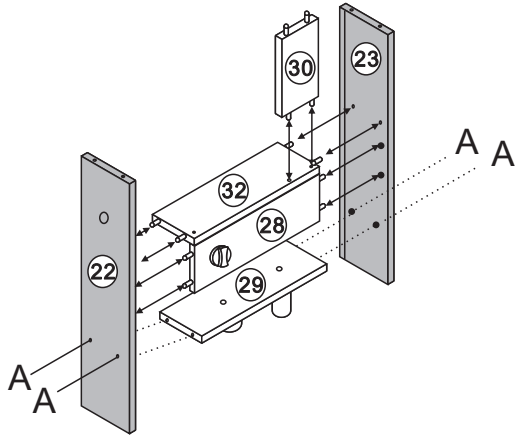


12



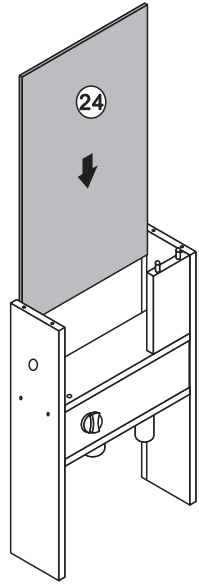
- Jx1
- Bx3
- Gx12

13

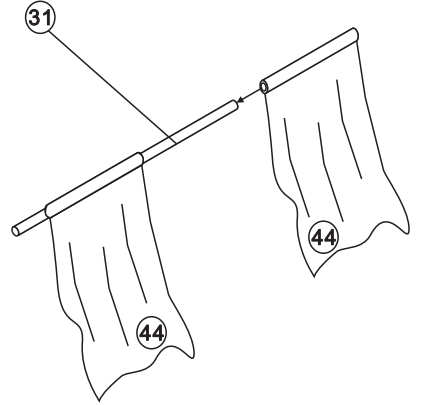


- Ax4

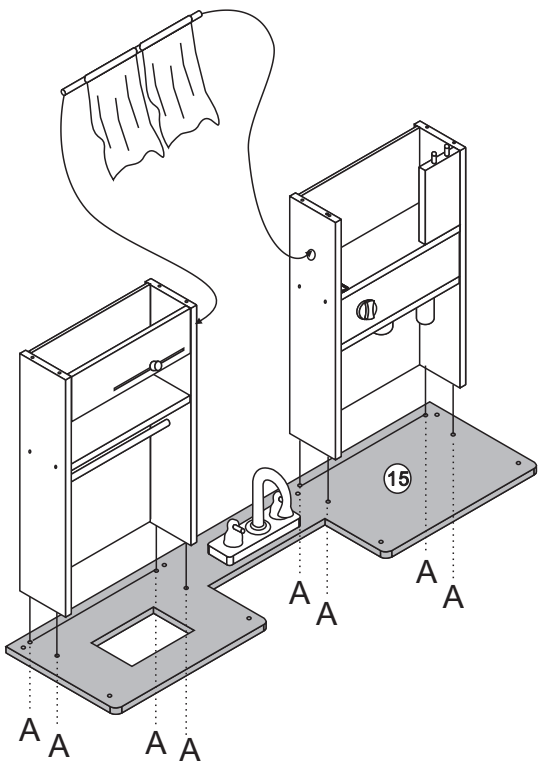
14



15

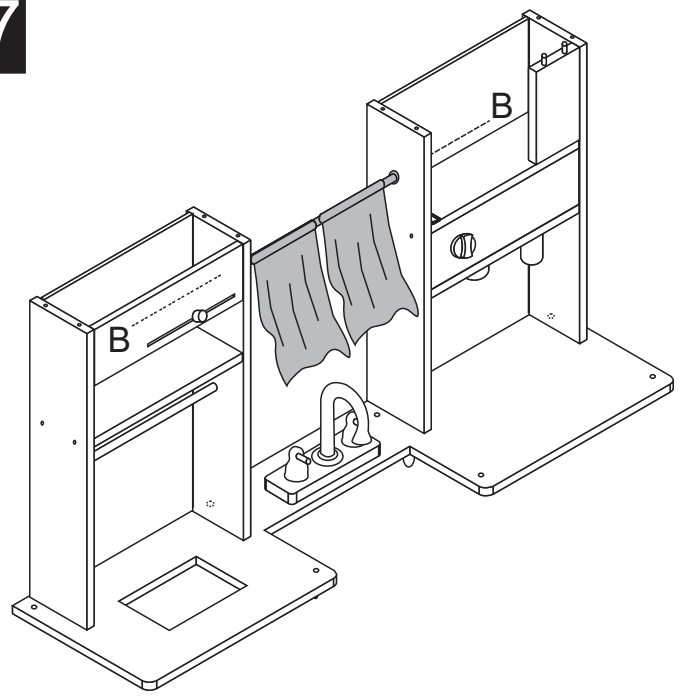


16



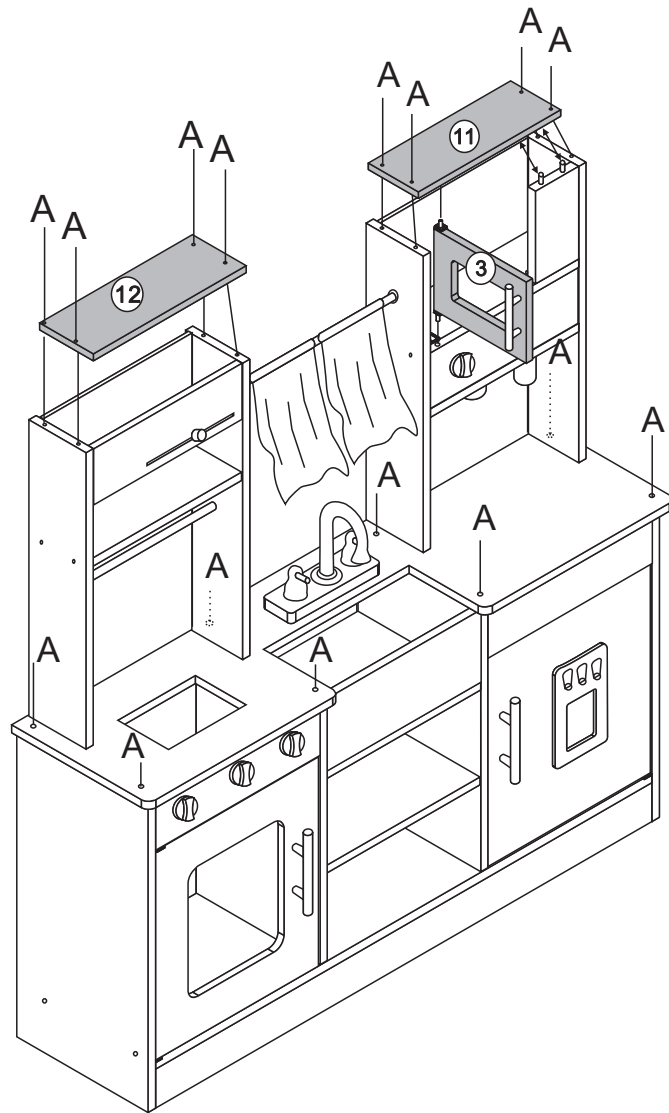
- Ax8

17



- Bx2

18



 Ax16

19

