

# PRODUCT CARE HANDBOOK

a guide to protect your product



866-504-7728



support@guyii.com

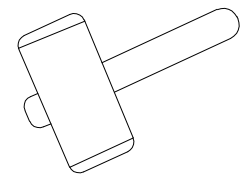
[www.guyii.com](http://www.guyii.com)

Thank you for purchasing this product. Please read these instructions fully before starting assembly, then follow the simple step by step guide.

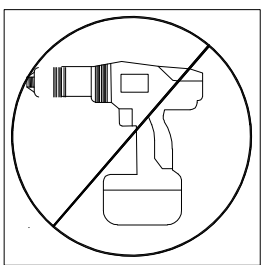
### TOP TIPS BEFORE YOU START!

1. Please check that all parts & hardware are present before you start the assembly of your furniture. Do not destroy any of the packaging until you are certain that you have all the necessary parts for assembly.
2. To ensure a smooth installation, we recommend that before you commence each step of the assembly, please identify all the parts required for that step.
3. We recommend that where possible, all items are assembled near to the area in which they will be placed in use, to avoid moving the product unnecessarily once assembled.
4. For the protection of your furniture, particularly items of high gloss finish, we recommend that the product is placed on a protected surface during assembly to prevent any damage.
5. During assembly, please take care not to over-tighten any fittings, as this may damage the product.
6. Keep children and animals away from the work area. Small parts could cause choking if swallowed.

Rubber Hammer

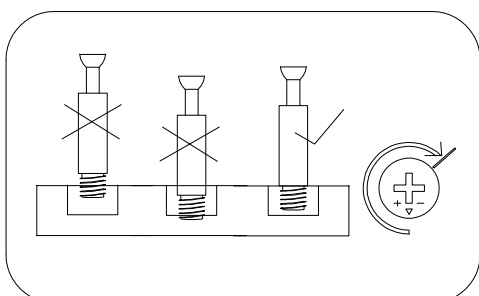
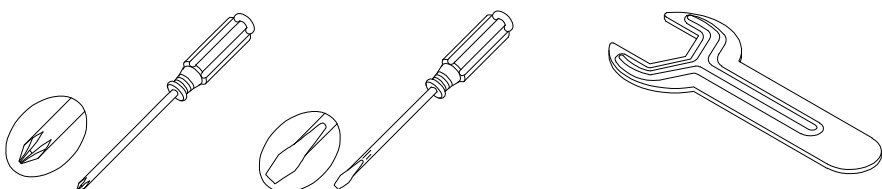


### Tools Required For Assembly

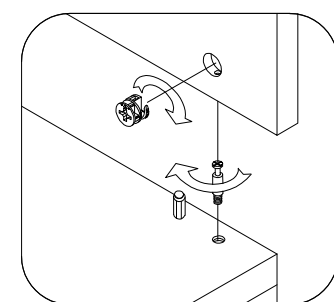
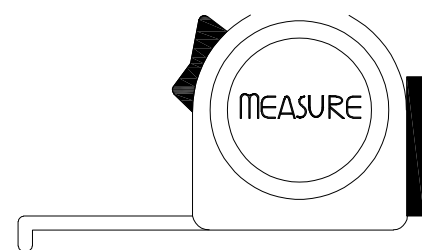


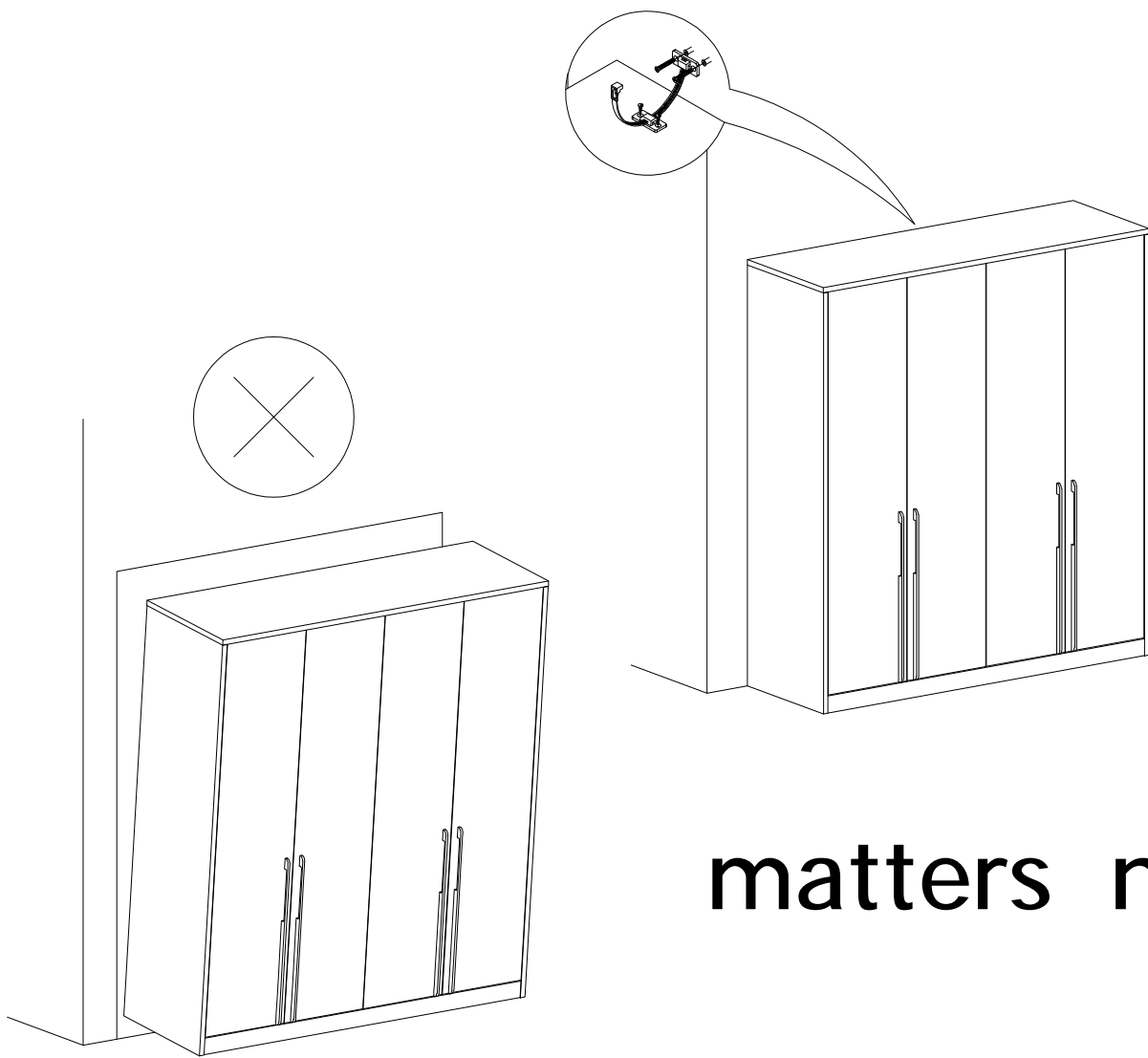
DO NOT USE POWER TOOLS TO ASSEMBLE THIS PRODUCT. USE OF POWER TOOLS WILL INVALIDATE ANY CLAIM AND MAY DAMAGE THIS PRODUCT .

Self-provided universal tool diagram:

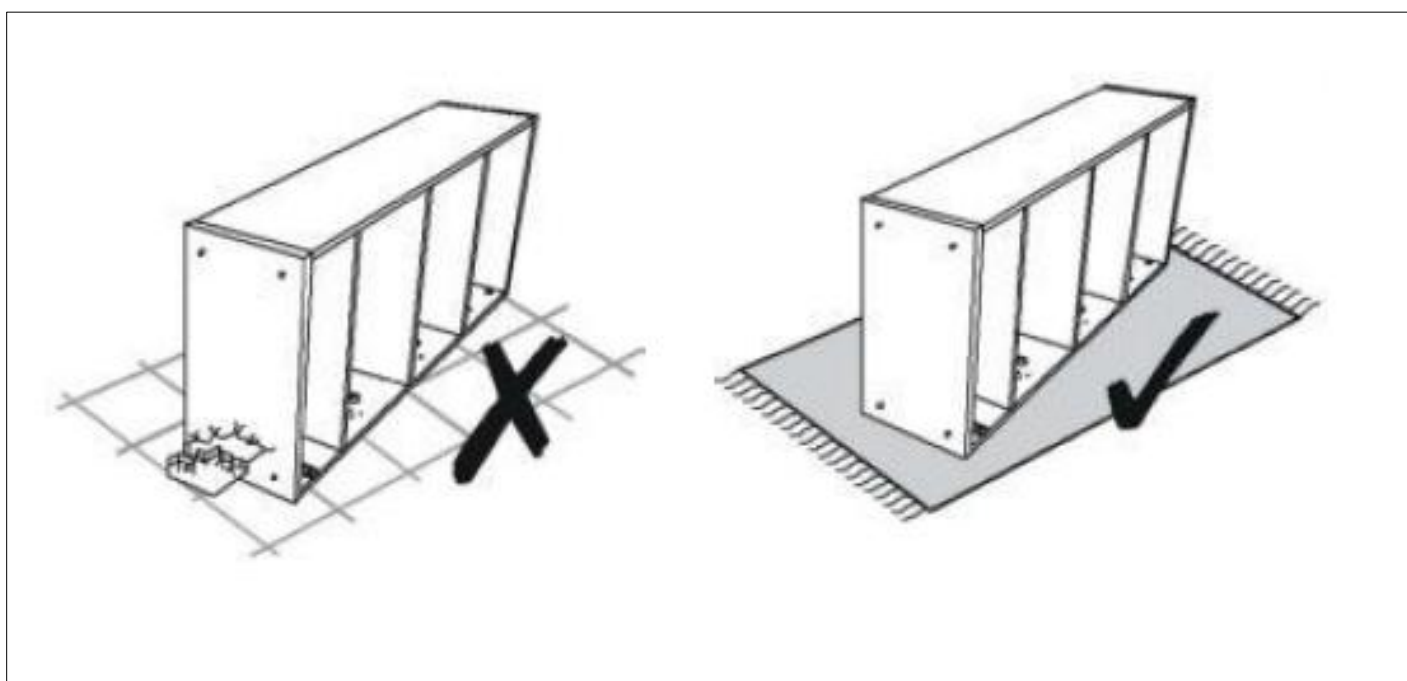
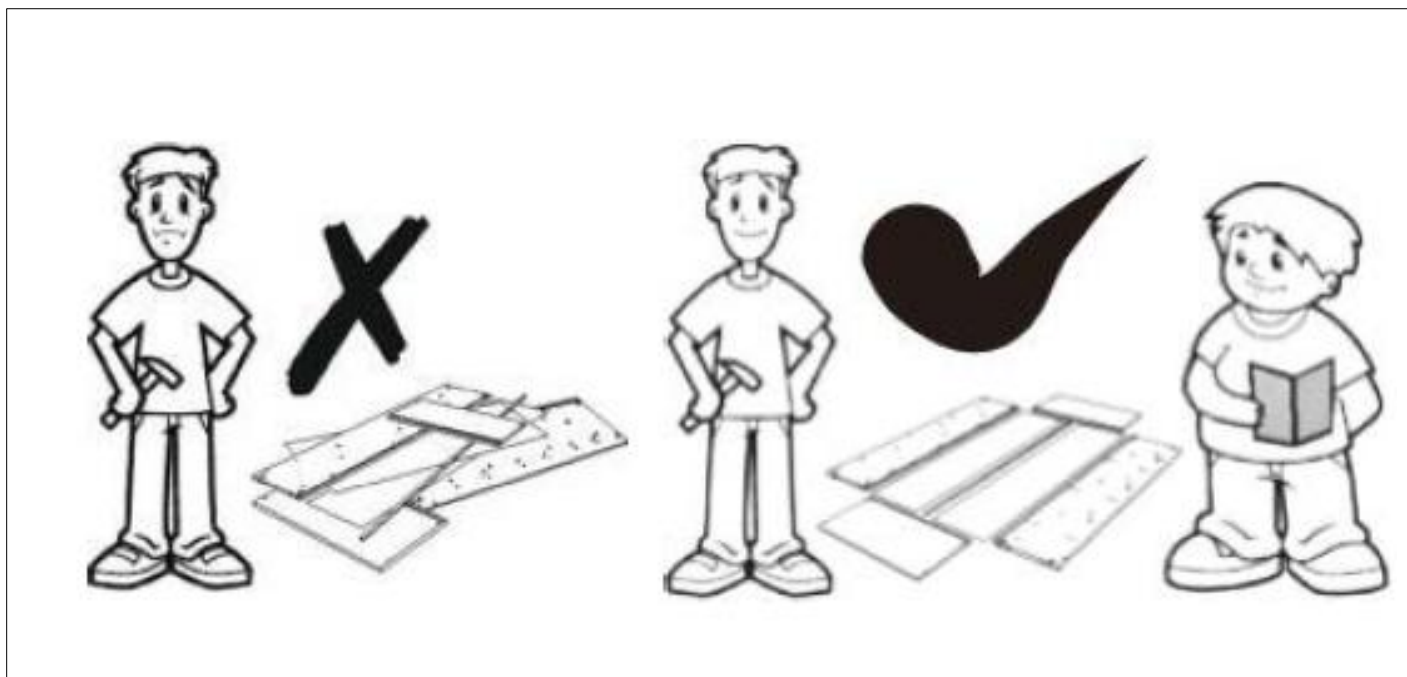


Tape Measure

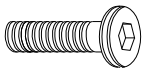
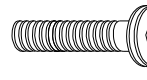
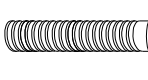





matters needing attention

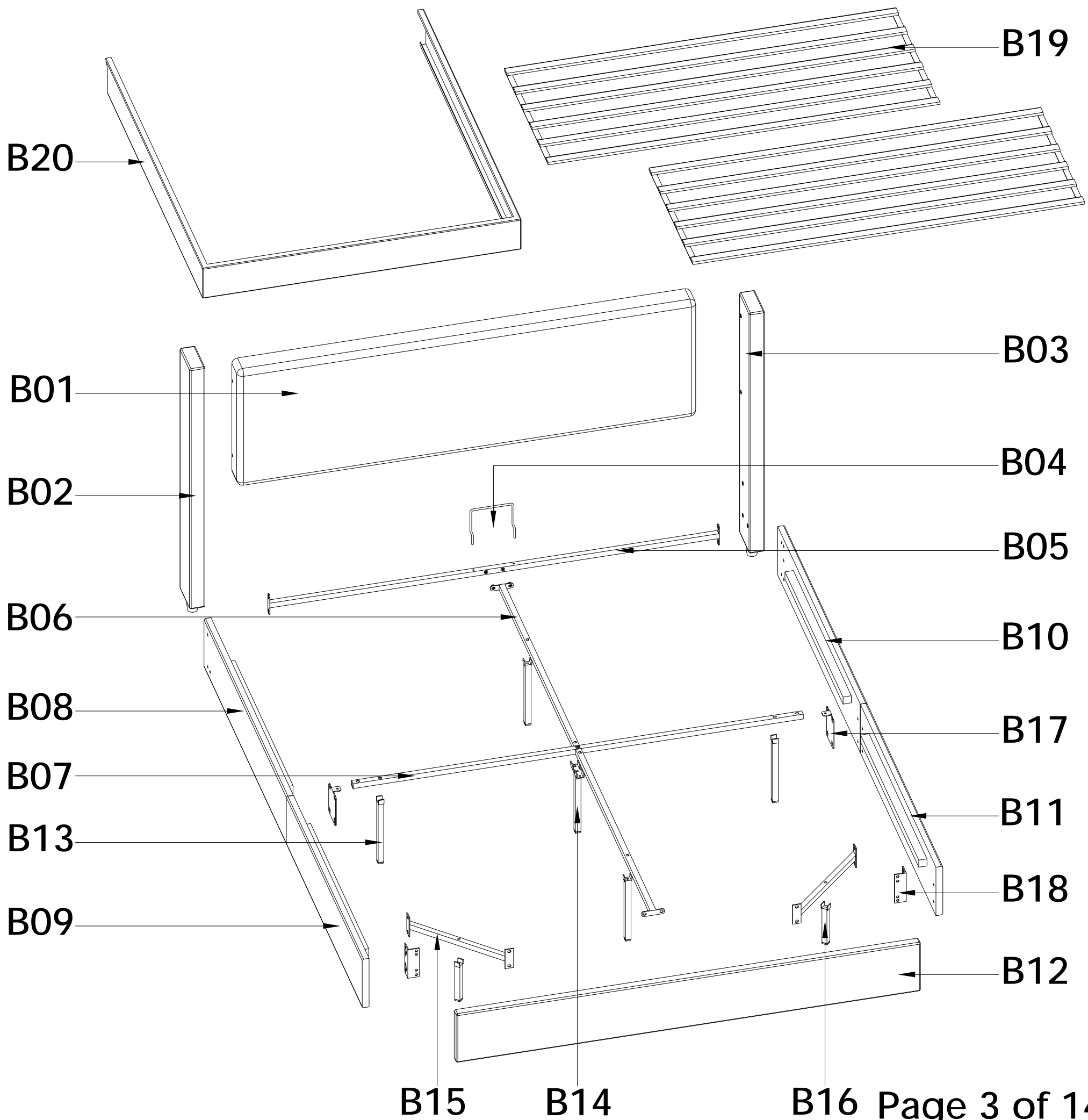


# L3438HW - Soft Package Bed Assembly Hardware

<p>H1632(A)</p>  <p>Flat Head Hex Screw M8*20 32PCS</p>	<p>H1634(B)</p>  <p>Flat Head Hex Screw M8*30 11PCS</p>	<p>H1637(C)</p>  <p>Flat Head Hex Screw M8*45 10PCS</p>	<p>H5106(D)</p>  <p>L-shaped Hex Wrench 5# 1PCS</p>	
--	--	---	--	--

# L3438HW - Soft Package Bed Assembly Parts

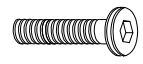
B01*1 Headboard Soft Package	B08*1 Bed Side Panel - Left Front	B15*2 Diagonal Tension of Bed Foot
B02*1 Left Side Panel of the Headboard	B09*1 Bed Side Panel - Left Rear	B16*2 Vertical Pillar of Bed Foot
B03*1 Right Side Panel of the Headboard	B10*1 Bed Side Panel - Right Front	B17*2 Connecting Iron Sheet
B04*1 Mattress Stopper	B11*1 Bed Side Panel - Right Rear	B18*2 Connecting Angle Bracket
B05*1 Lower Horizontal Tension of Headboard	B12*1 Soft Package of Bed Foot	B19*2 Bed Slat
B06*2 Vertical Tension of Bed Middle	B13*4 Vertical Pillar of Bed Bottom	B20*1 Cover Fabric
B07*1 Middle Horizontal Tension of Bed	B14*1 Central Pillar at Bottom	



# L3438HW - Soft Package Bed Assembly Steps

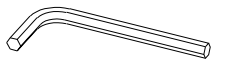
## Step 1

H1634(B)



2PCS

H5106(D)

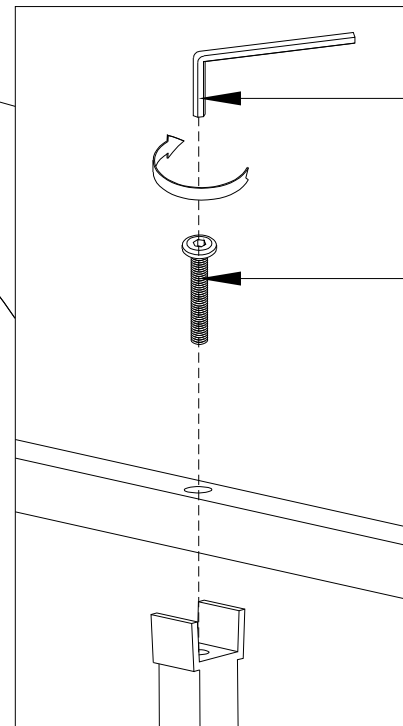
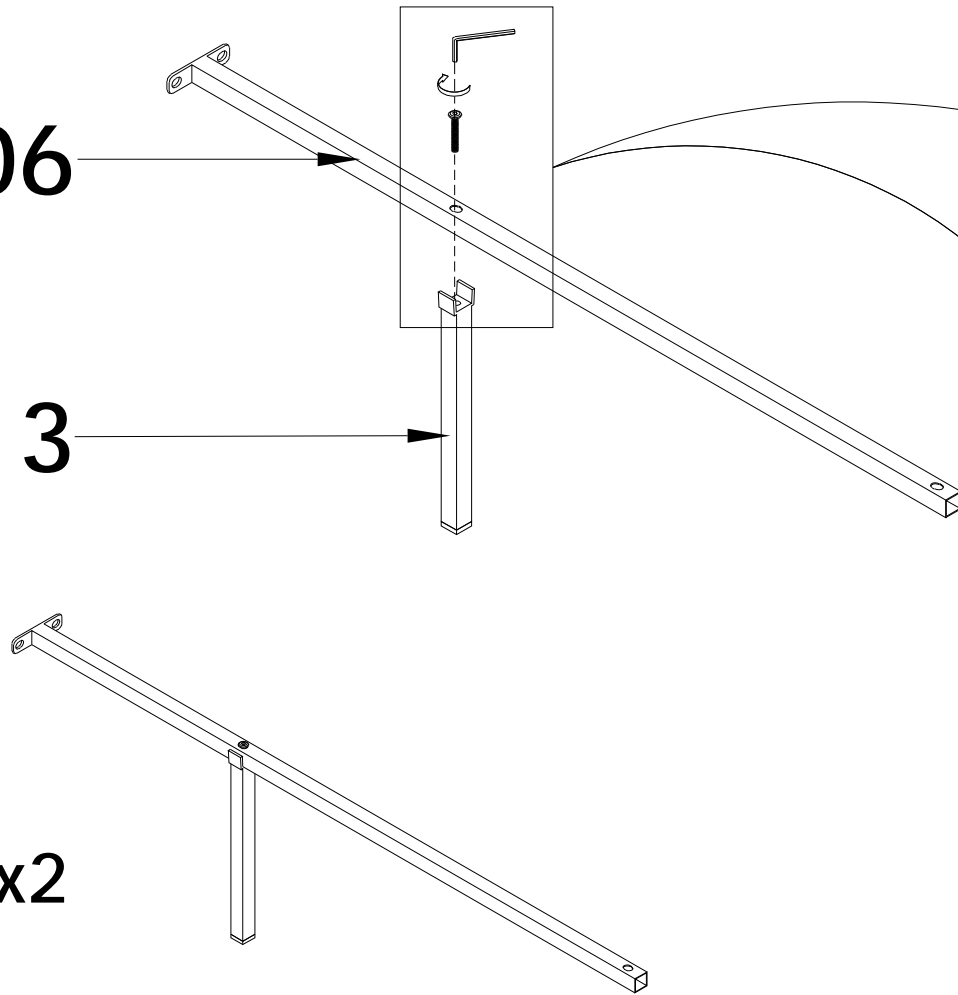


1PC

B06

B13

x2

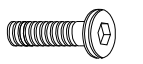


H5106(D)

H1634(B)

## Step 2

H1634(B)



2PCS

H5106(D)

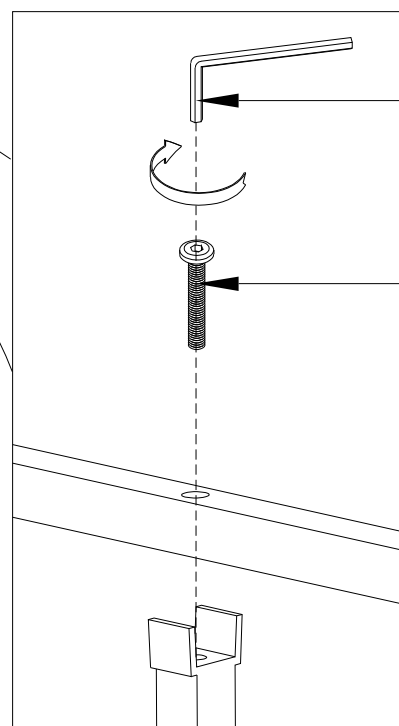
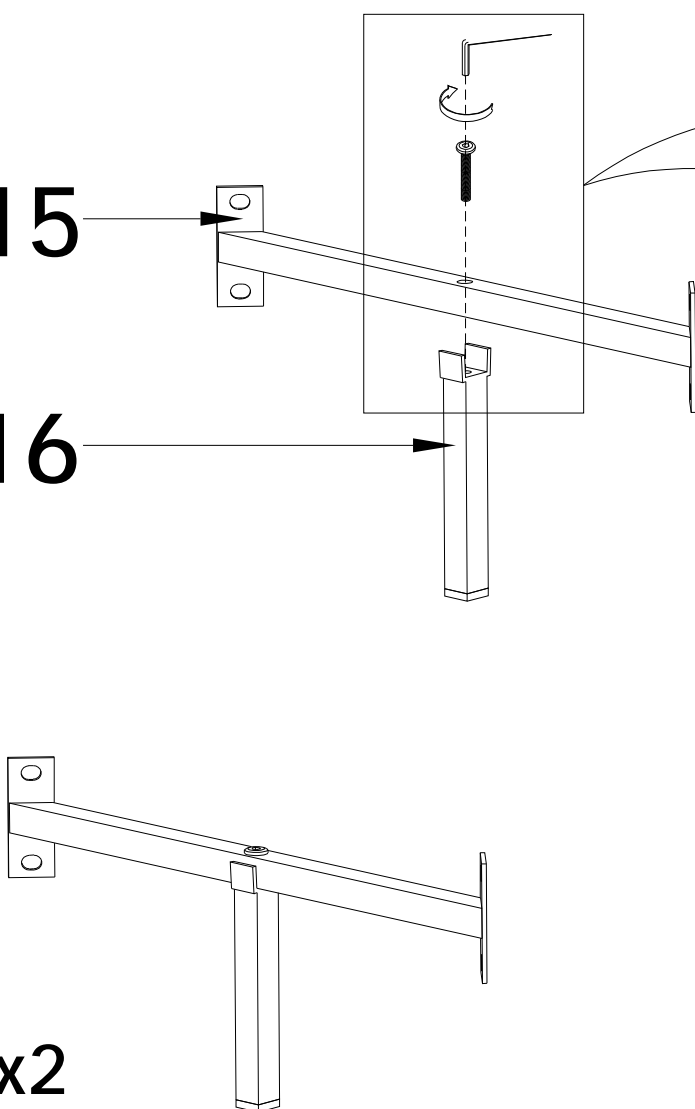


1PC

B15

B16

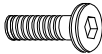

x2

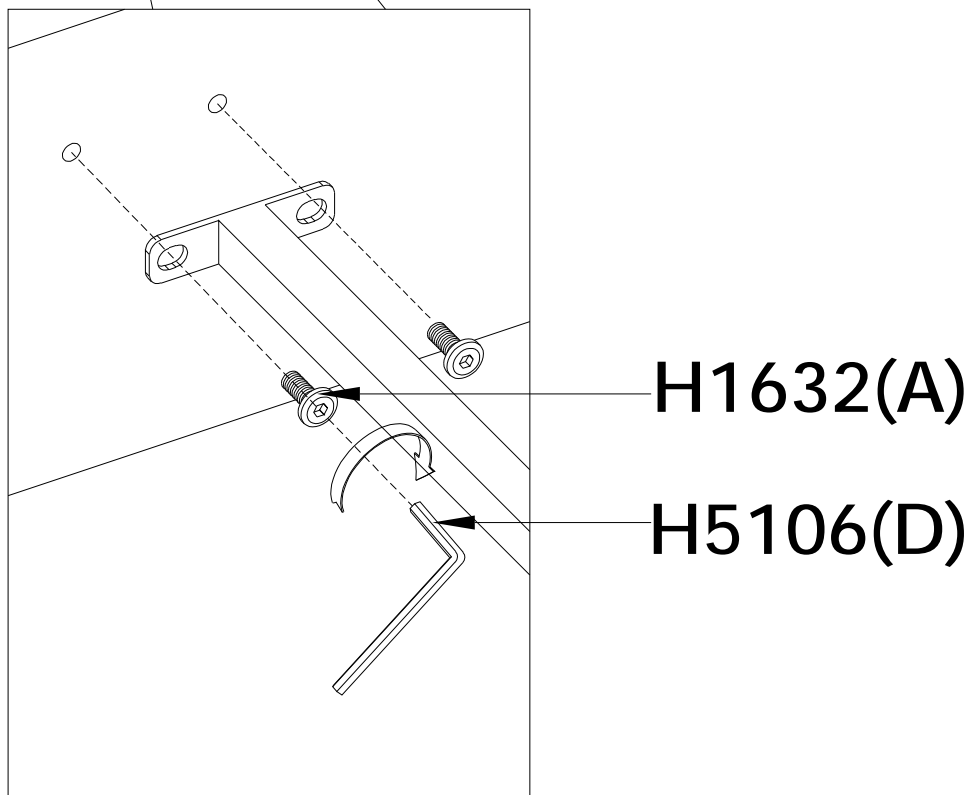
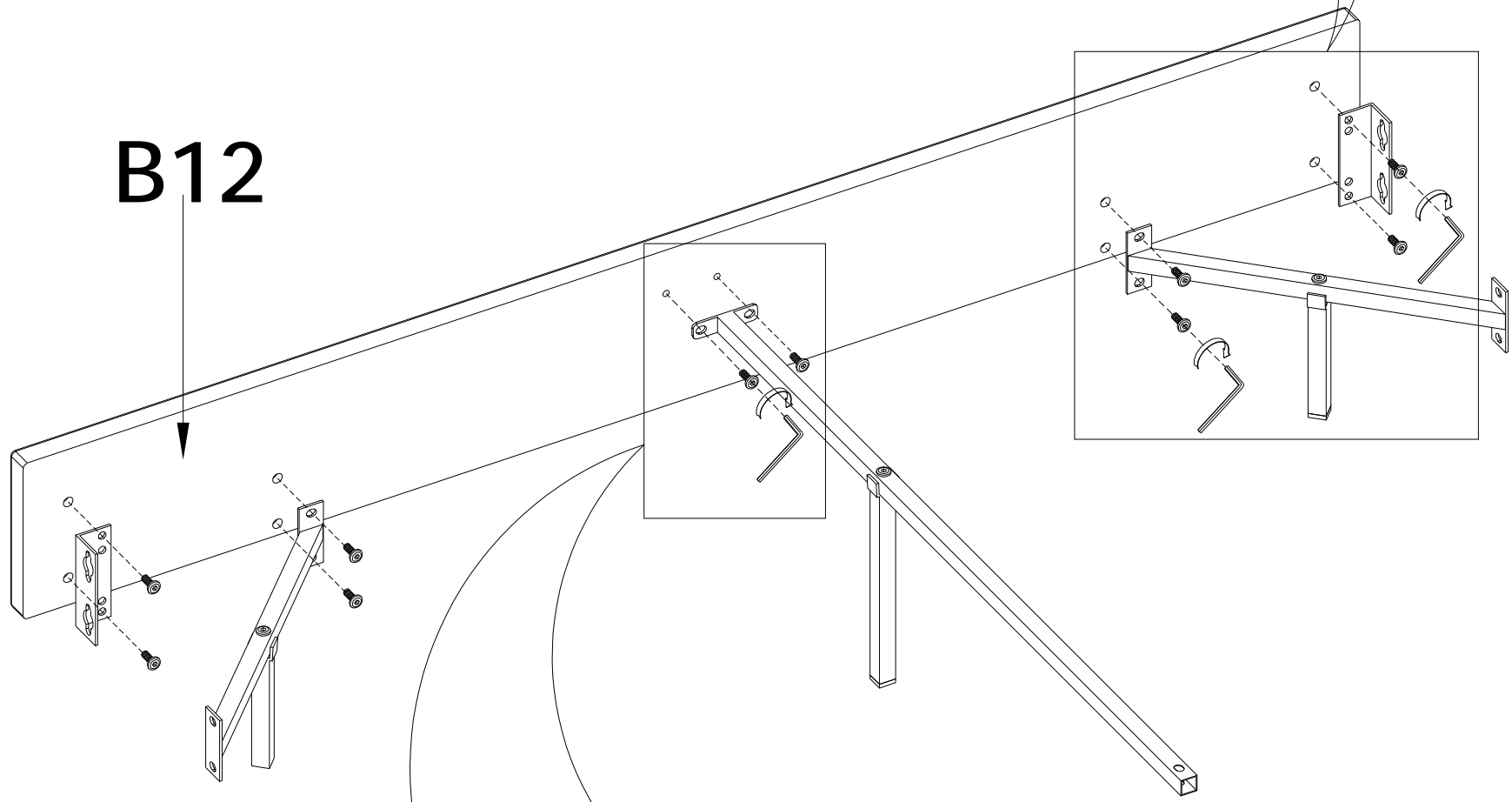
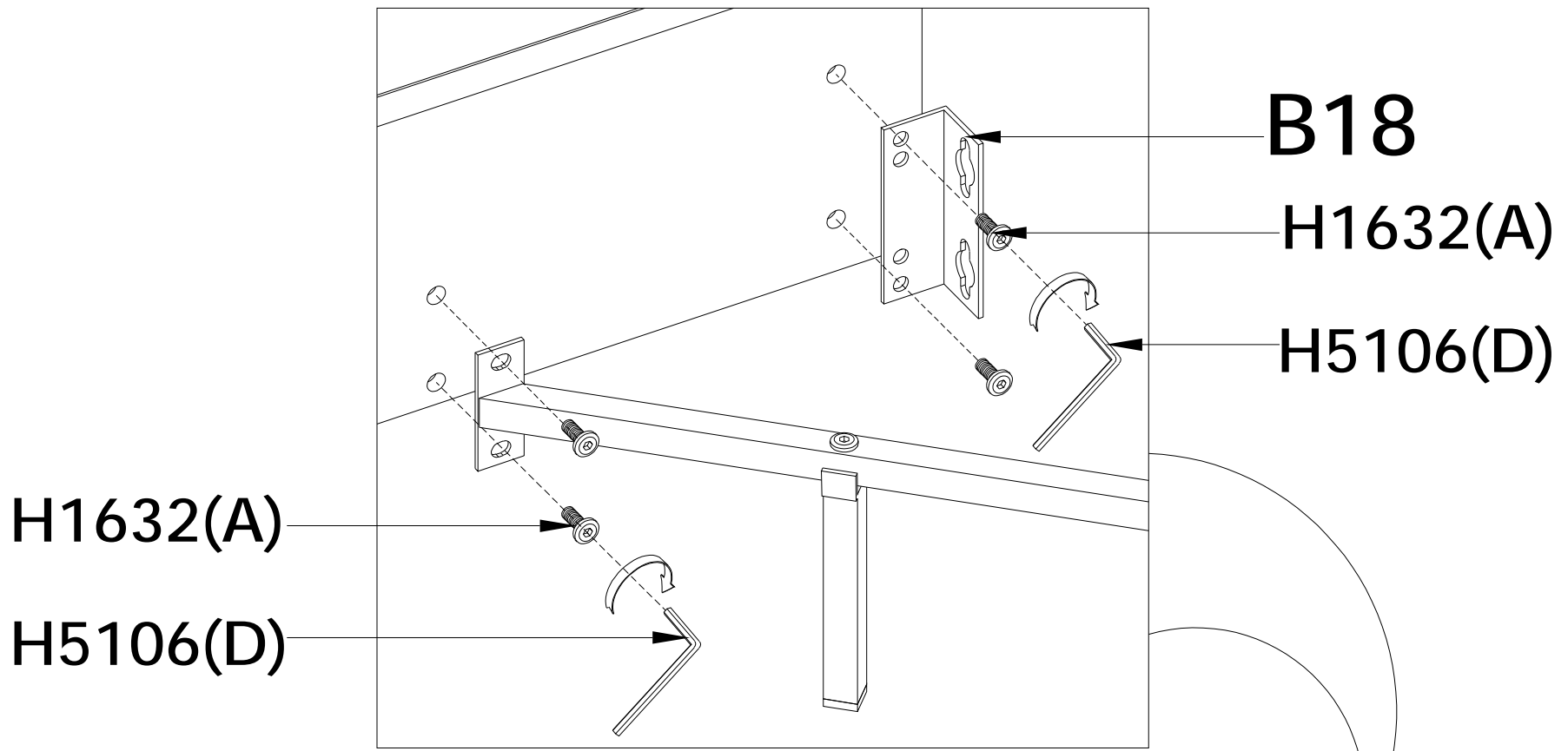


H5106(D)

H1634(B)

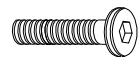
# Step 3

H1632(A)  10PCS	H5106(D)  1PC
--	--



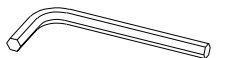
# Step 4

H1634(B)

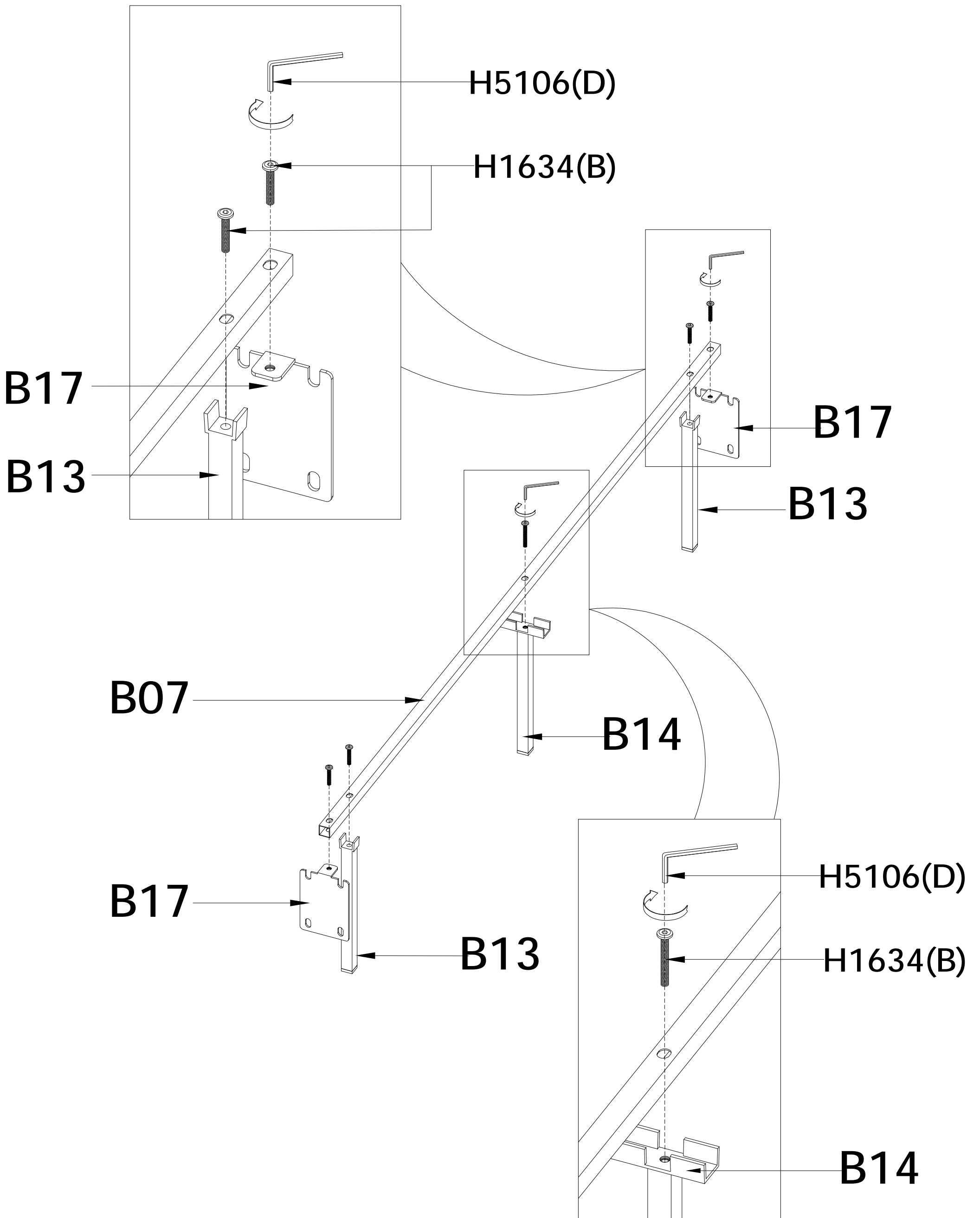


5PCS

H5106(D)

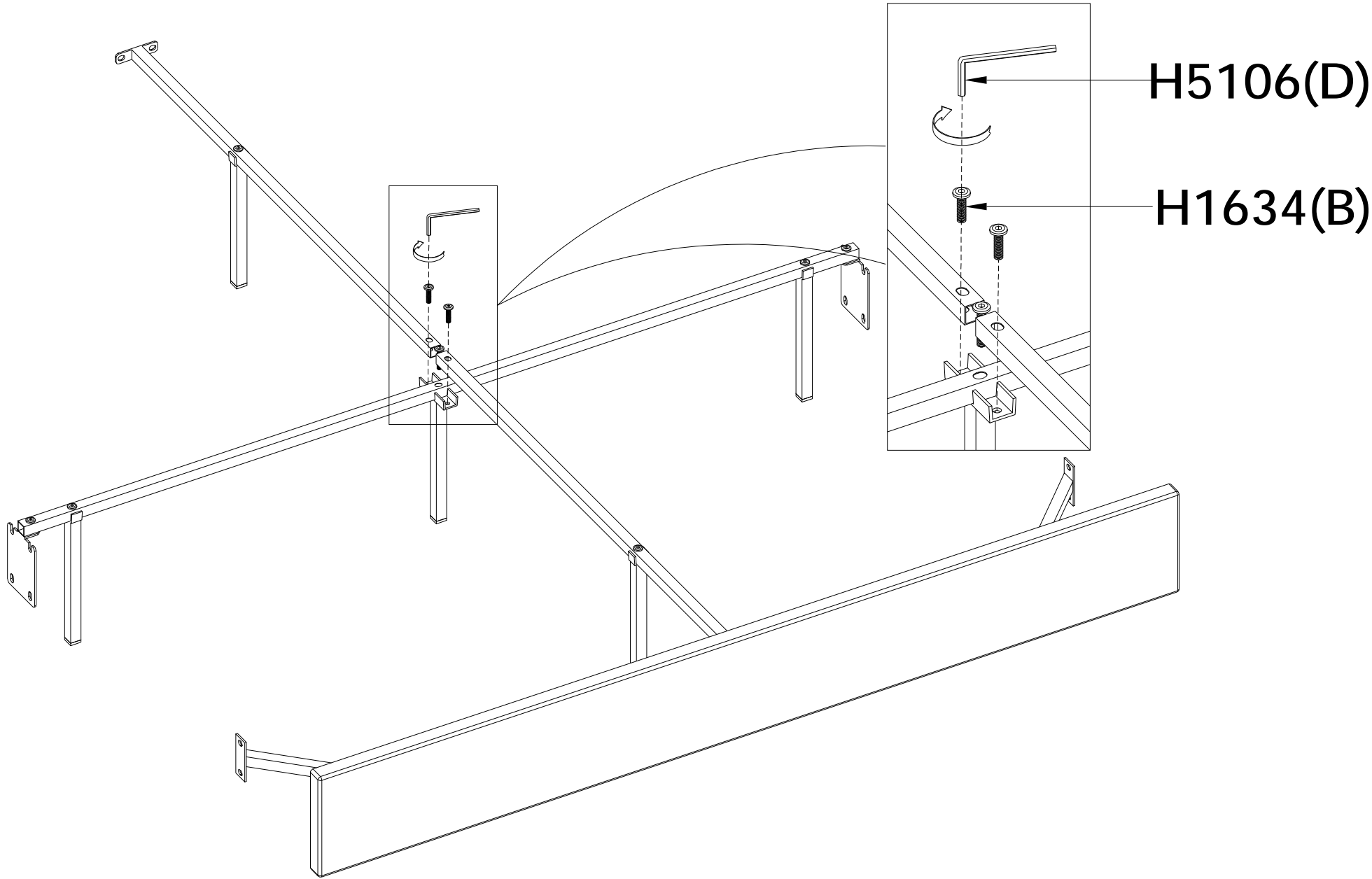


1PC



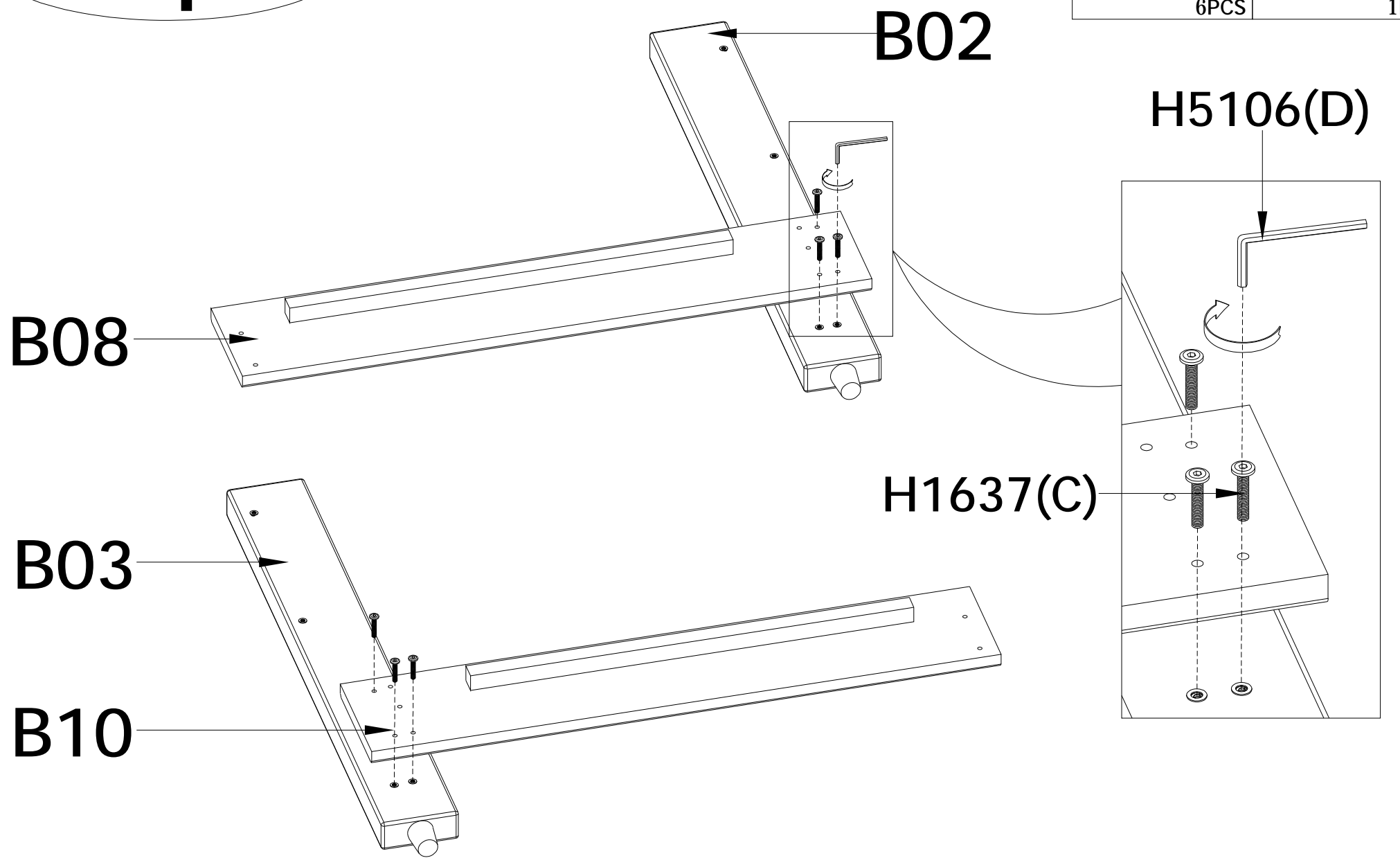
# Step 5

H1634(B)	H5106(D)
2PCS	1PC



# Step 6

H1637(C)	H5106(D)
6PCS	1PC

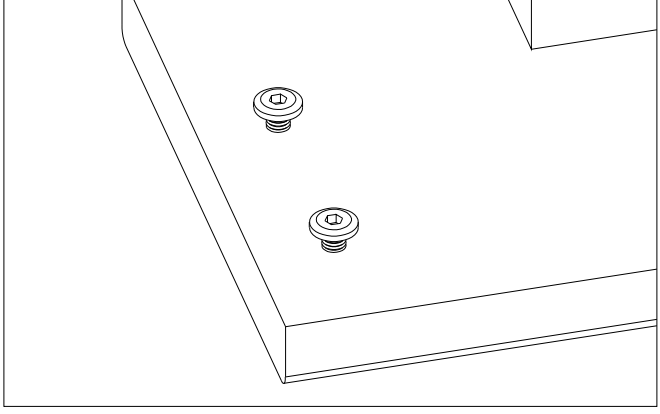
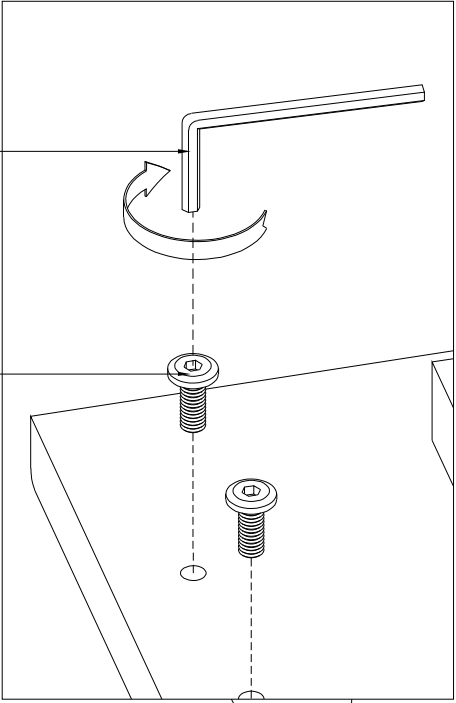


# Step 7

H1632(A)	H5106(D)
8PCS	1PC

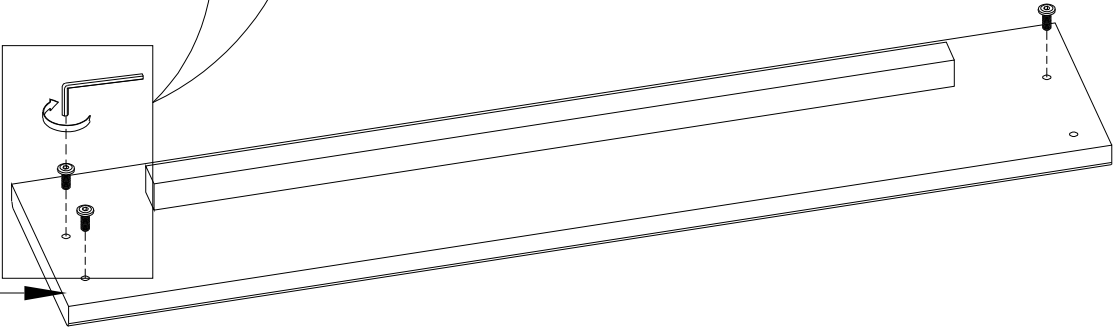
H5106(D)

H1632(A)

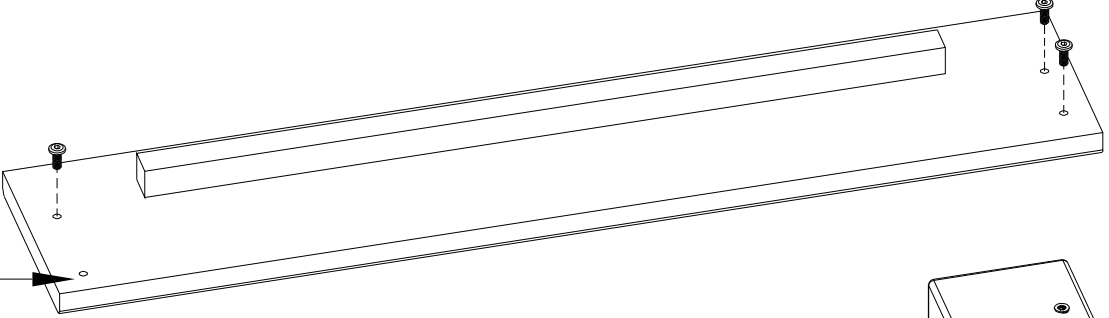


**Note:**  
The screw H1632(A) in this step should not be fully tightened, but only screwed in about 70%.

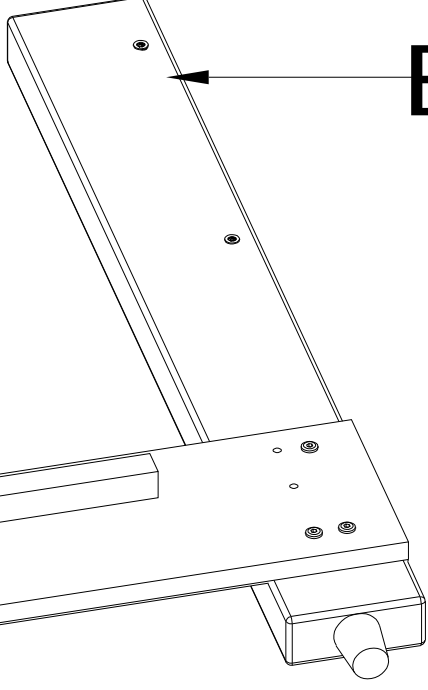
B09



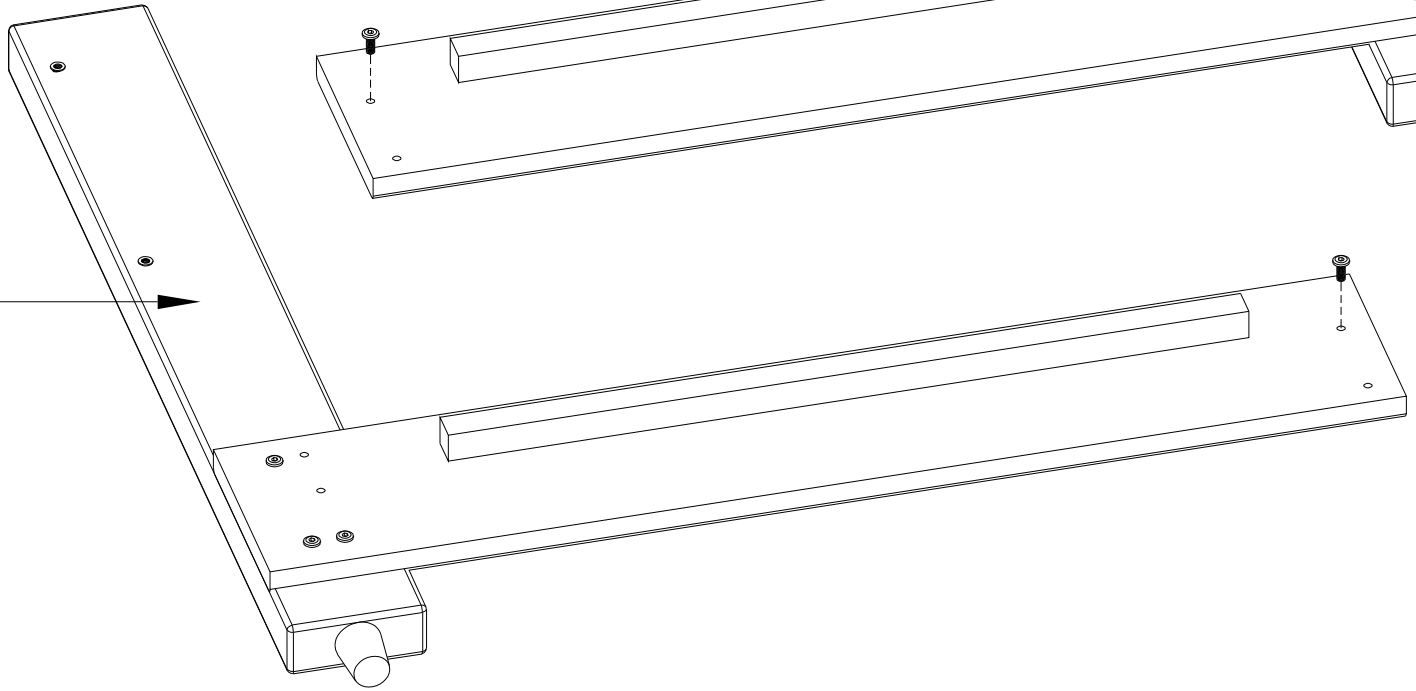
B11



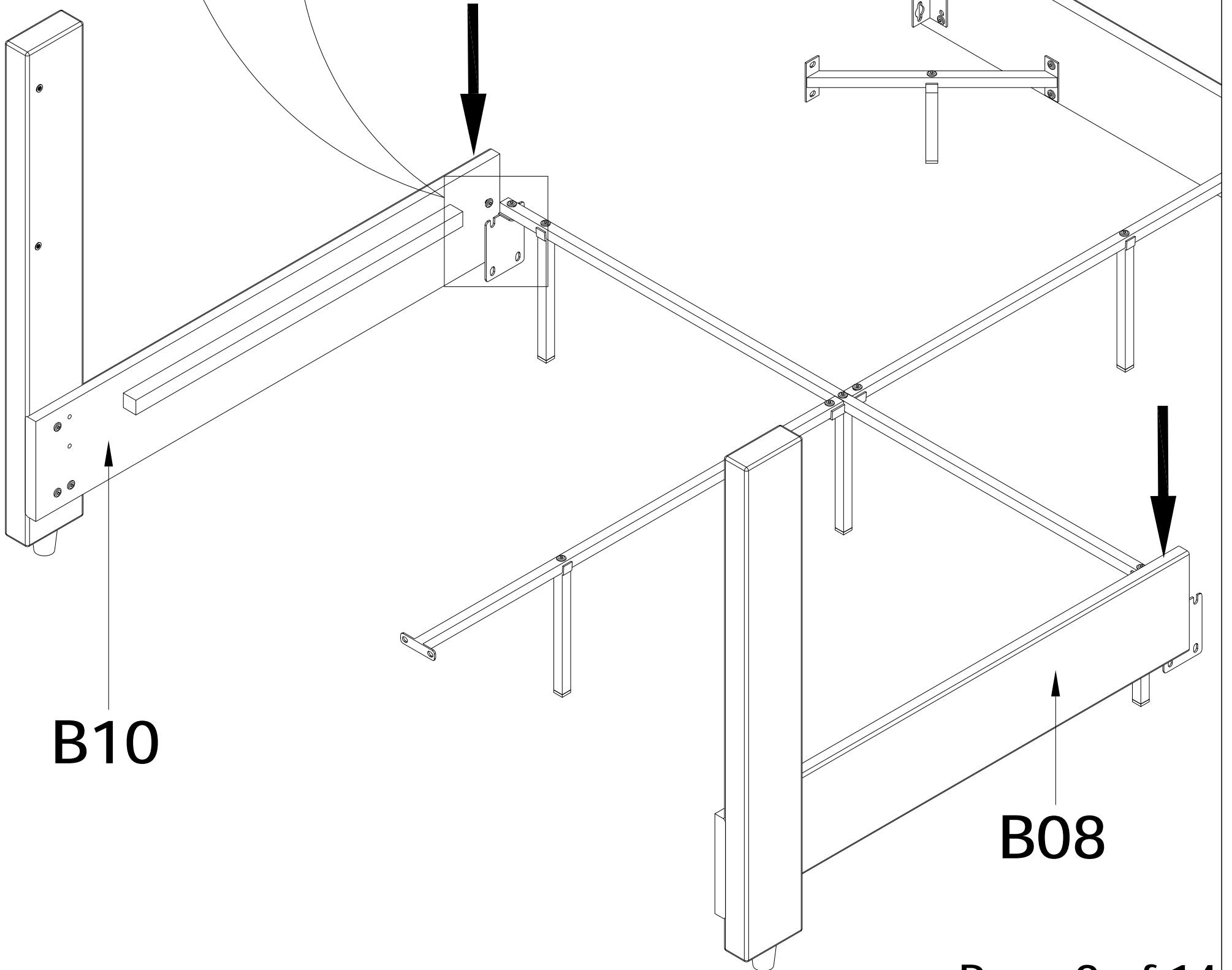
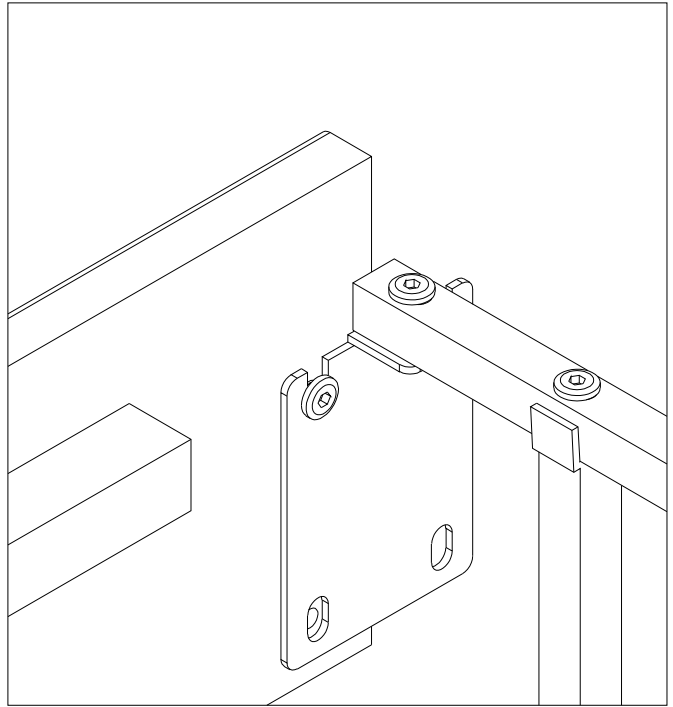
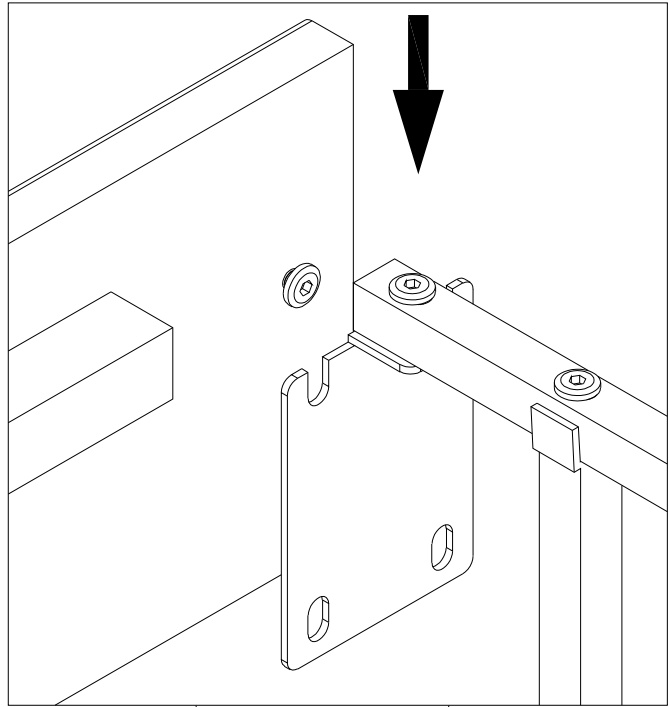
B02



B03



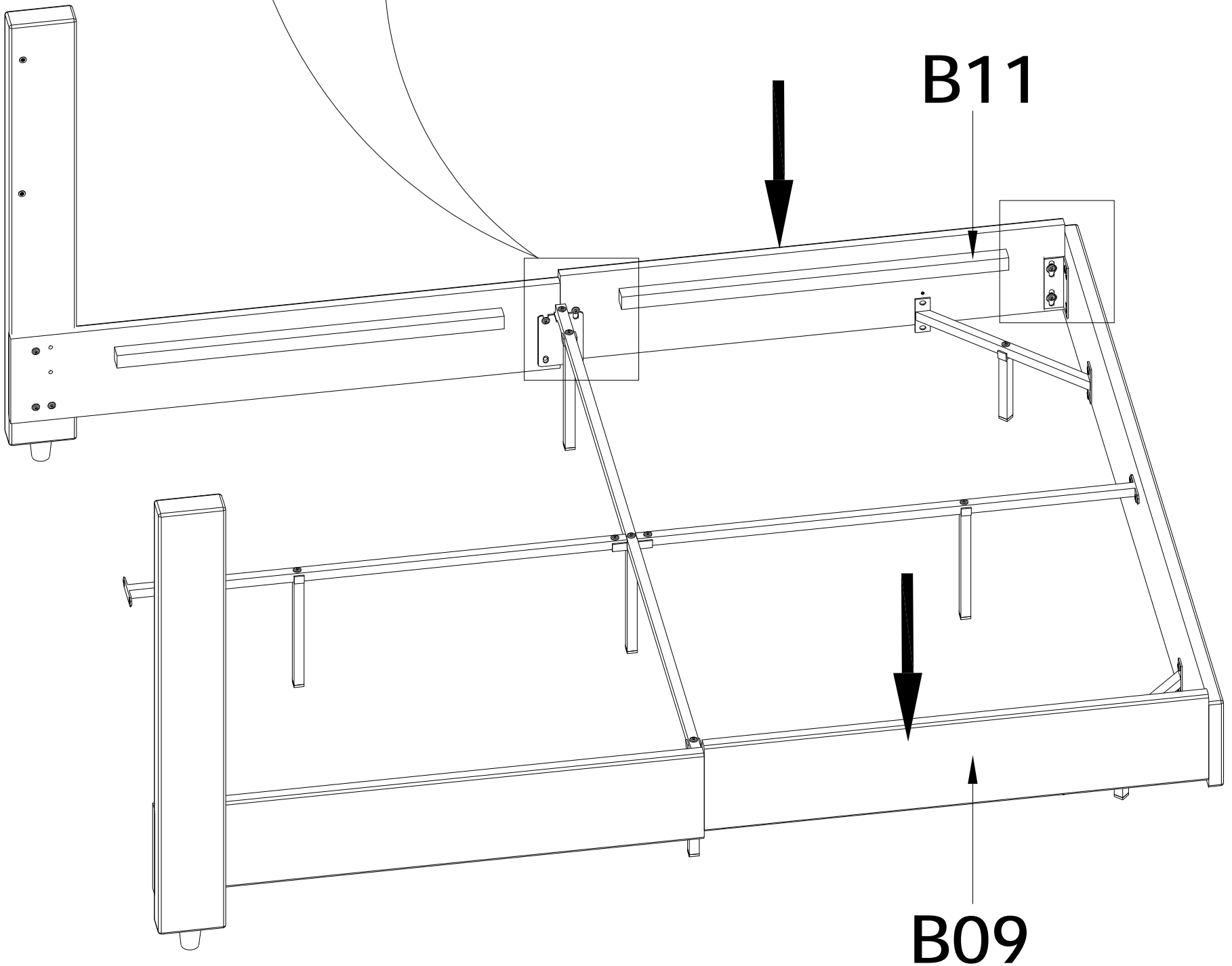
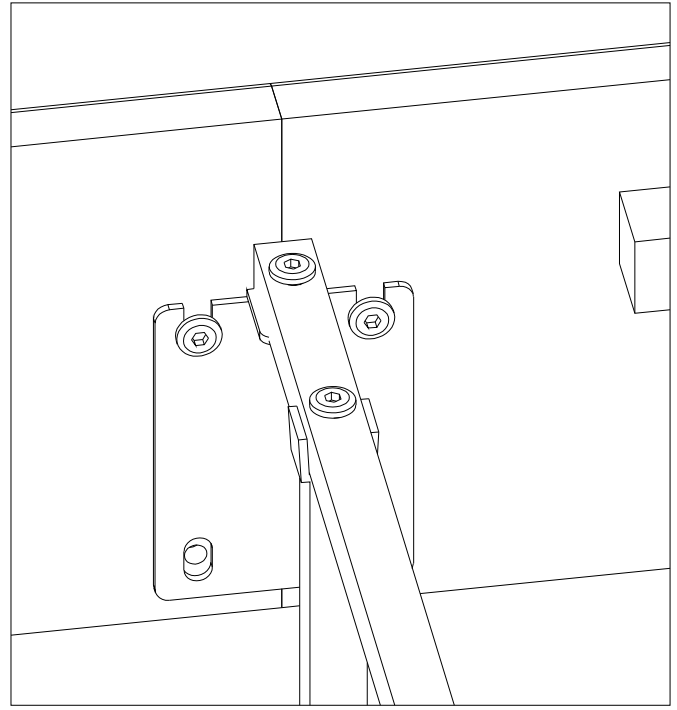
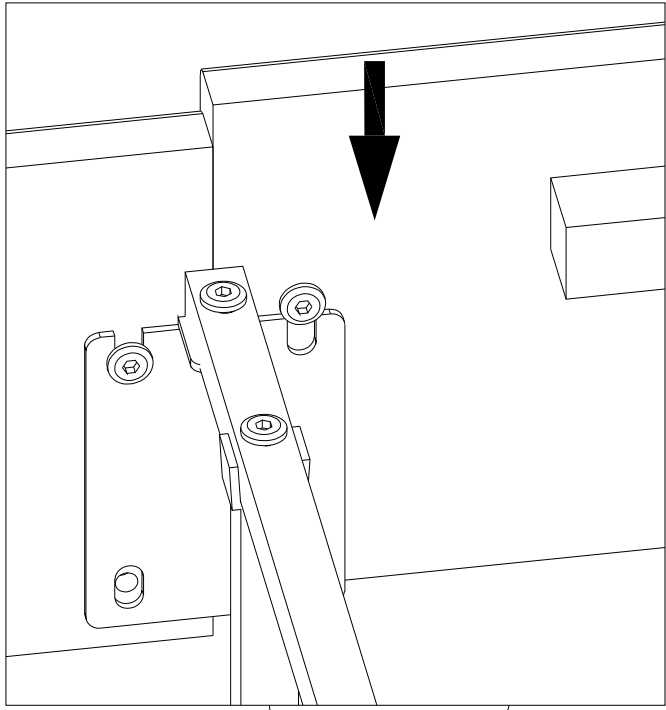
# Step 8



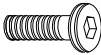

B10

B08

# Step 9

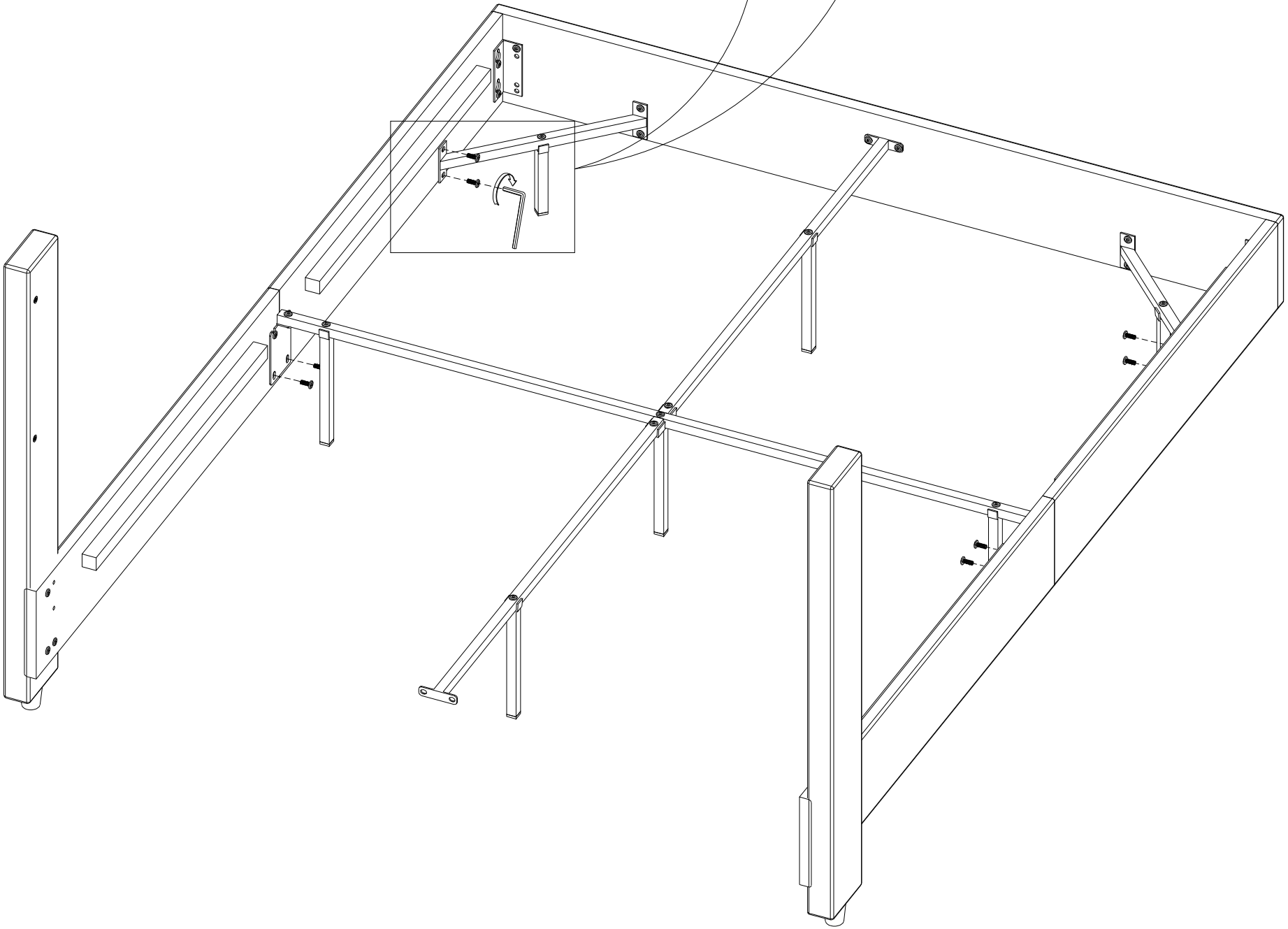
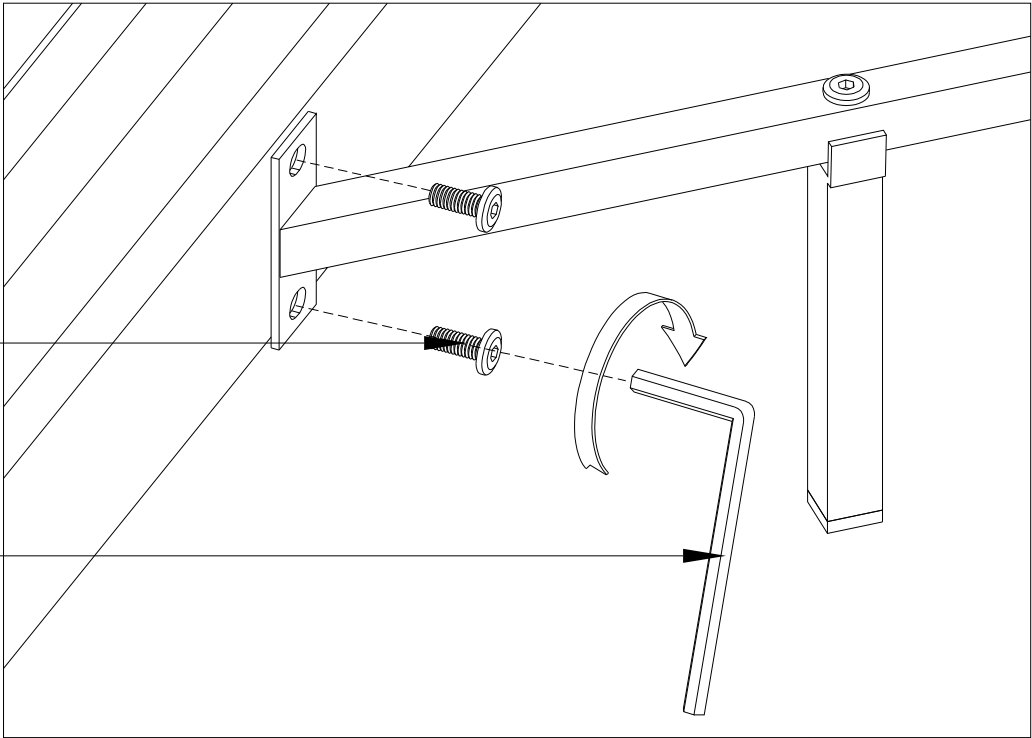


# Step 10

H1632(A)	H5106(D)
	
8PCS	1PC

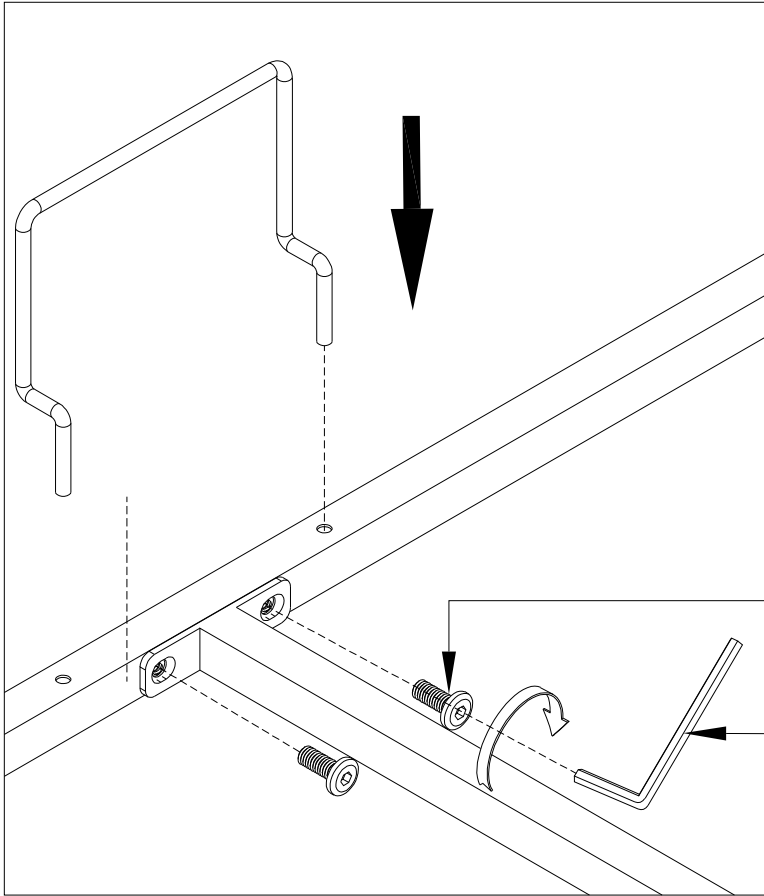
H1632(A)

H5106(D)



# Step 11

H1632(A)	H5106(D)
6PCS	1PC

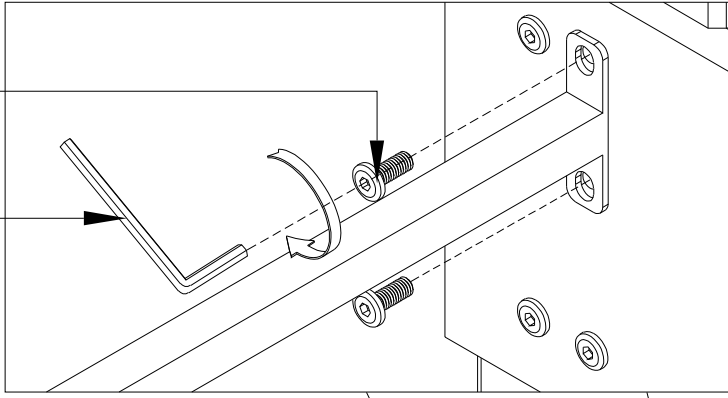


H1632(A)

H5106(D)

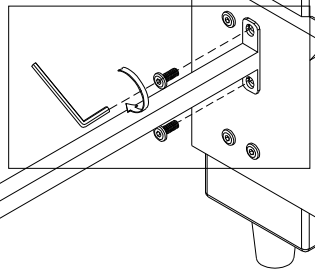
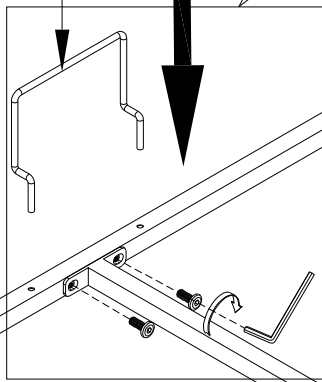
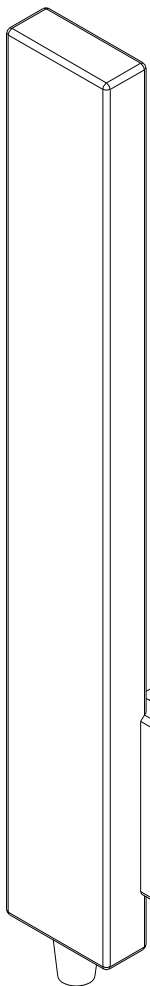
H1632(A)

H5106(D)



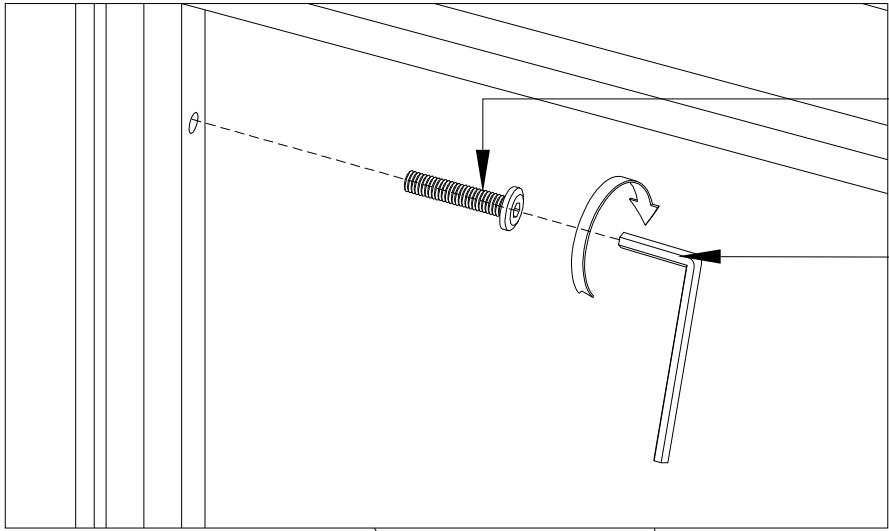
B05

B04



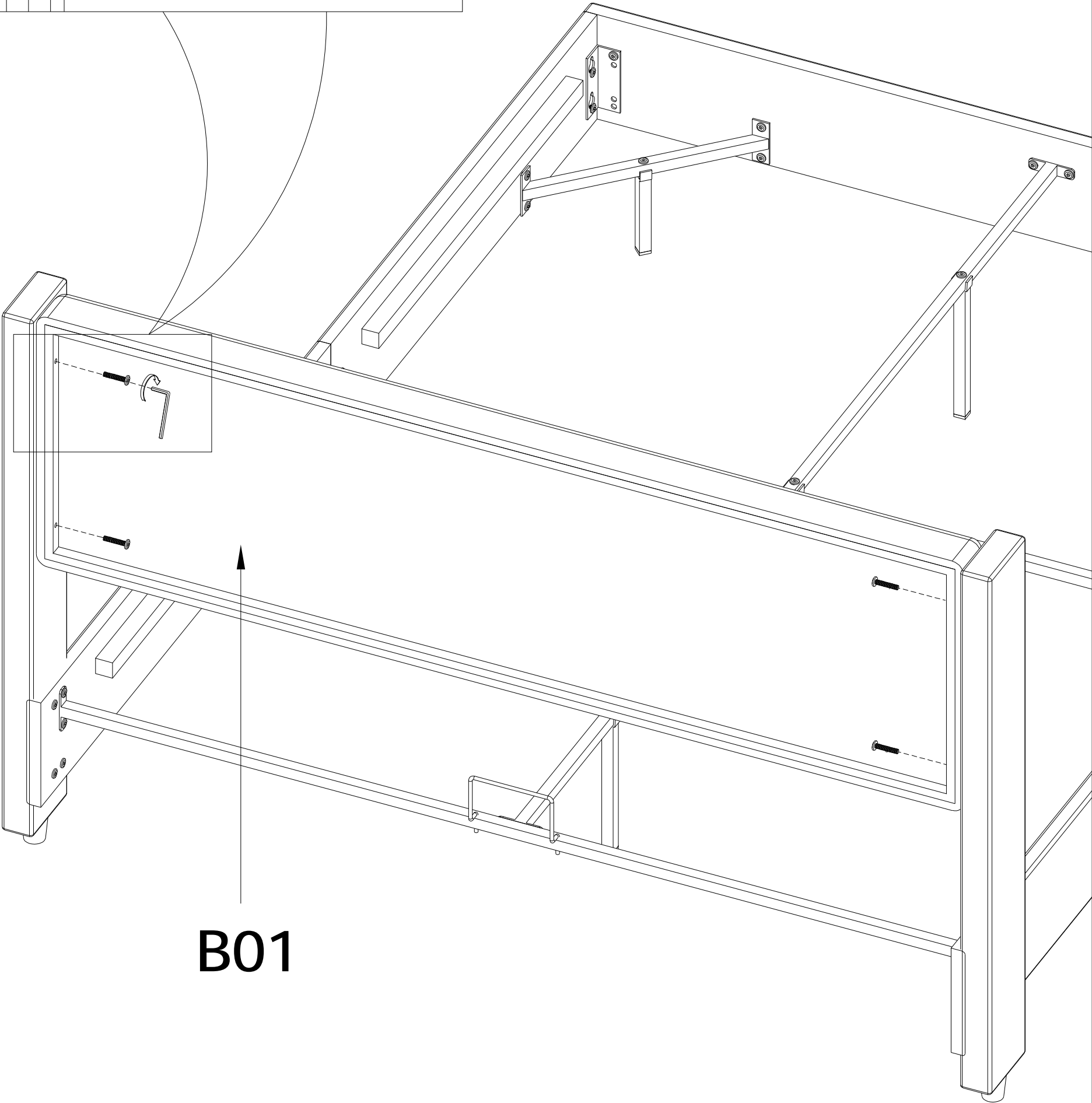
# Step 12

H1637(C)	H5106(D)
4PCS	1PC



H1637(C)

H5106(D)

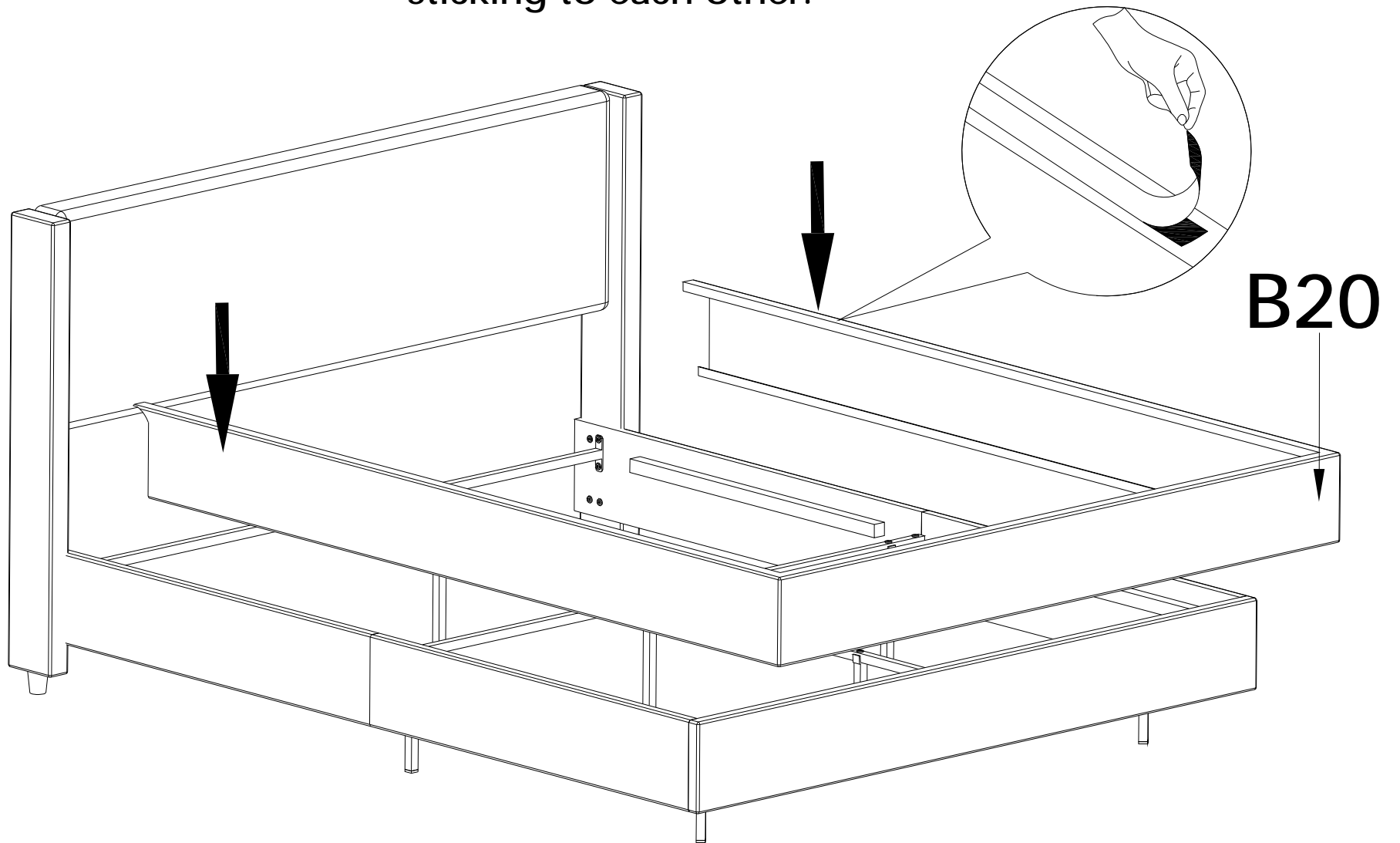


B01

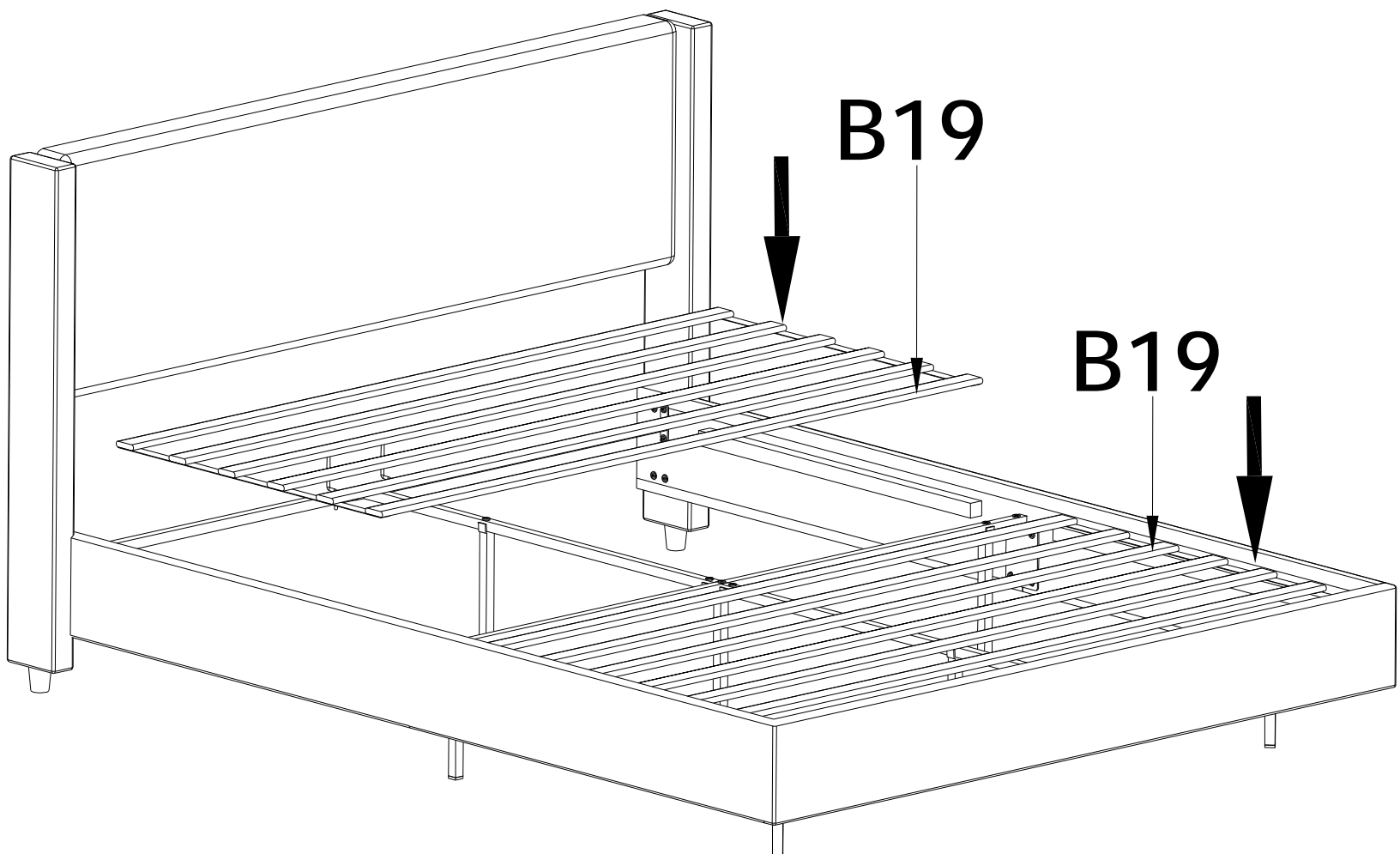
# Step 13

## Attention:

This product has Velcro on the Cover Fabric and cloth strips on the Velcro. During the installation process, carefully tear off the cloth strip and throw it away. The cloth strip is only to prevent the accessories from sticking to each other.



# Step 14



# WE'RE HERE TO HELP

how to get in touch with us



866-504-7728



support@guyii.com