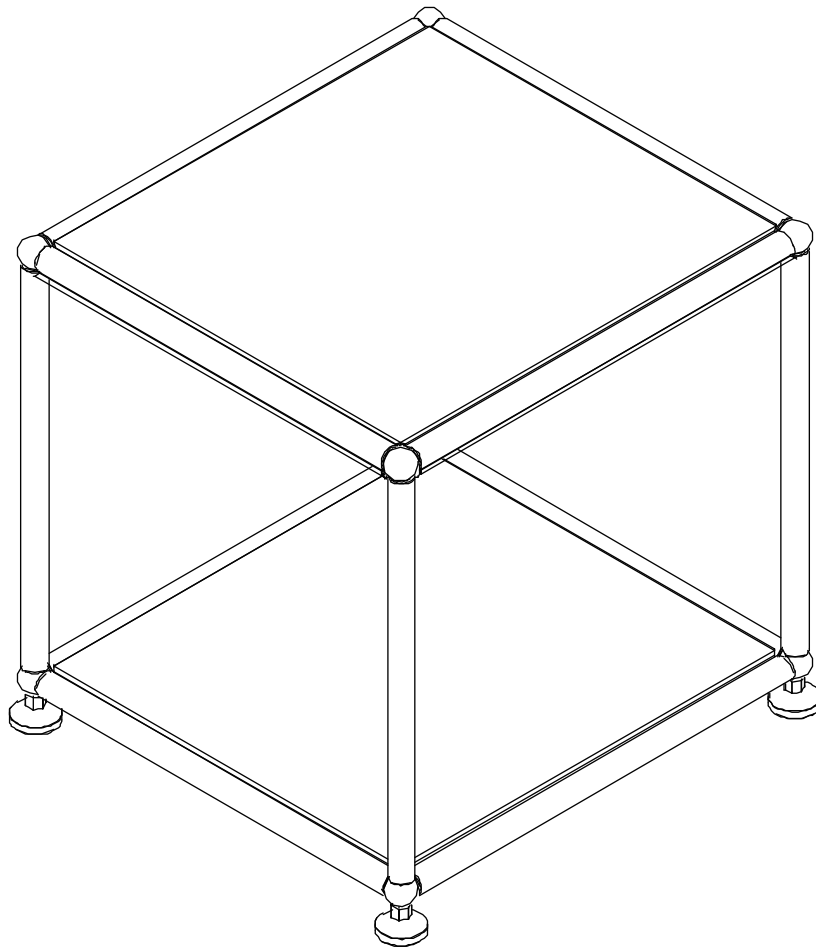
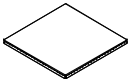
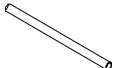
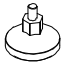
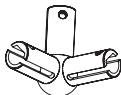
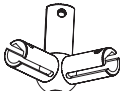




ASSEMBLY INSTRUCTIONS

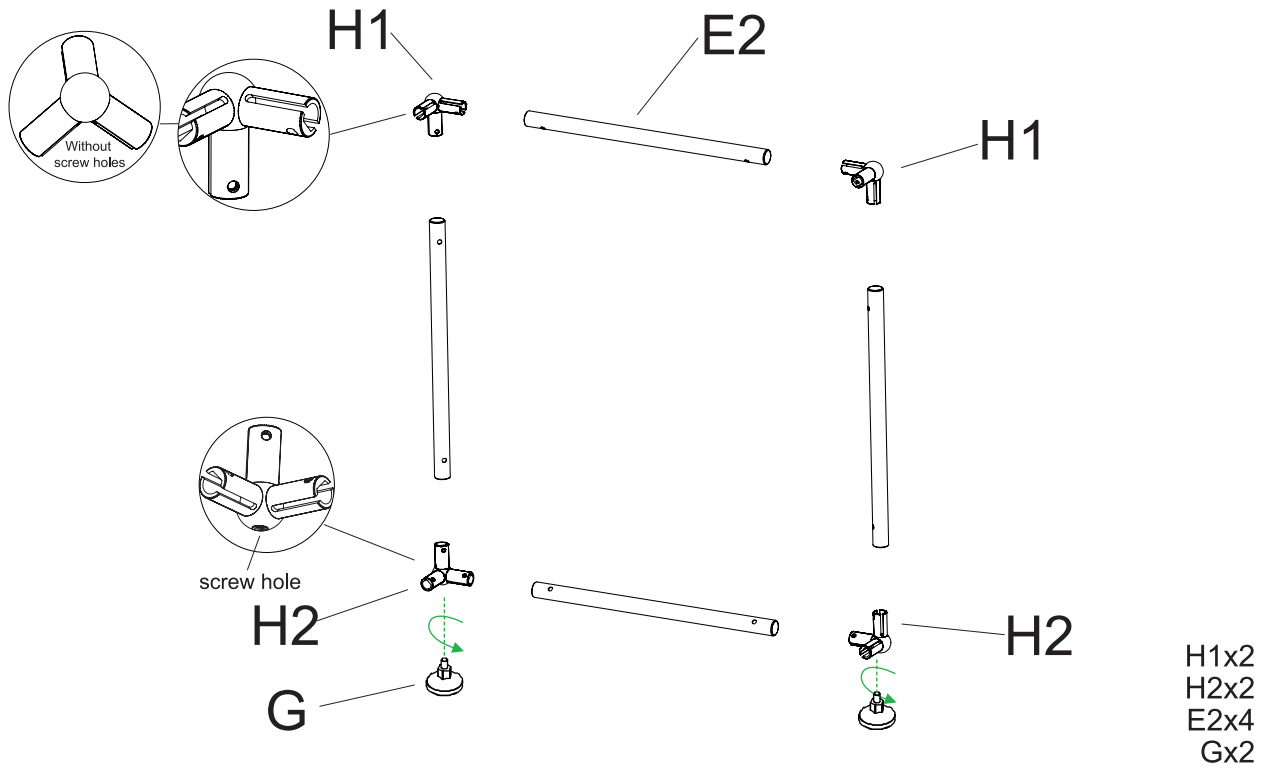
Storage Cabinets Type A



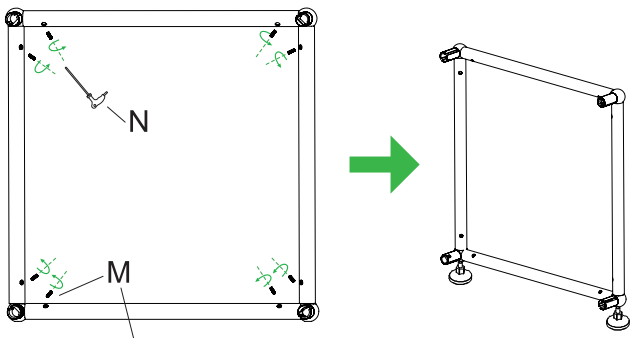
Part List

C	E2	G	H1	H2	M	N
				 screw hole		
x2	Short x12	x4	x4	x4	x24	x1

Step1



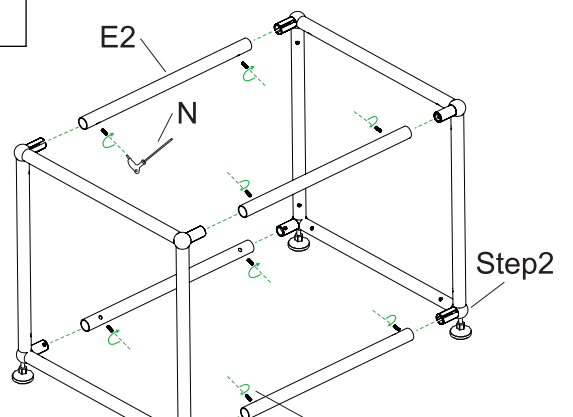
Step2



Do not tighten the **M** screws completely, otherwise it will not be possible to adjust the overall product later.

Mx8
Step2x2

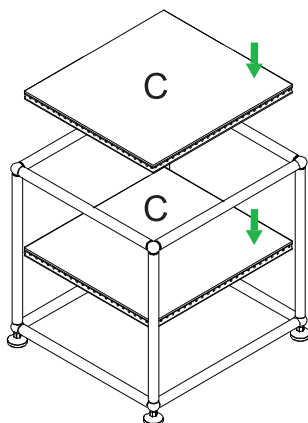
Step3



Tighten all **M** screws completely, when the cube frame is done.

Mx8
E2x4
Step2x2

Step4



Cx2

Finish

