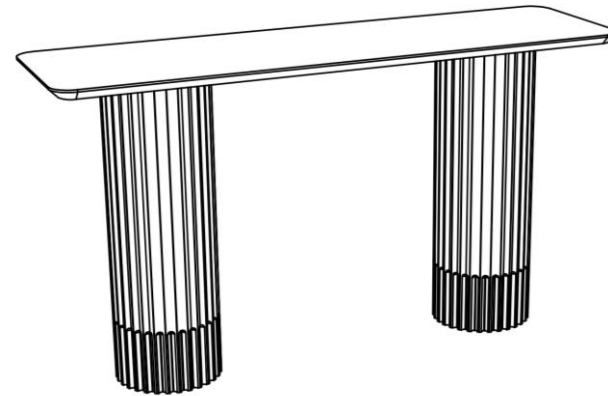


TREYSHAWN WOOD TOP CONSOLE TABLE

DESIGN # SFV6411A

Assembly Instructions



Need help?

Feel free to contact us via email or call
if you have any specific questions!

contact us:

cs@safavieh.com
866-422-9070

SAFAVIEH
C O U T U R E

Thanks for bringing Safavieh Couture into your home

Everything we make is incredibly simple to set up, including your new console table. You won't need any additional tools.

Parts List

A X 1
Top



B X 2
Legs



Hardware List

HW1 X 4
Allen Bolt (8x1.25x20mm)



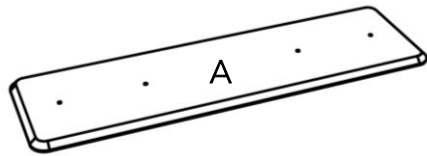
HW2 X 4
Metal Washer (8x20mm)



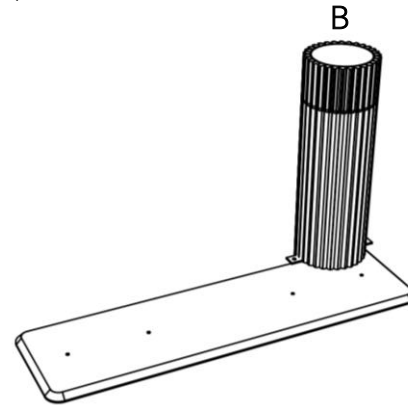
HW3 X 1
Allen Key (5mm)



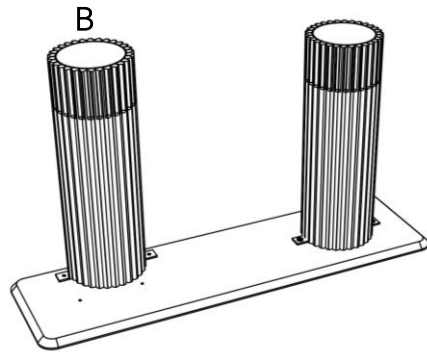
1
Begin by laying the table top (A) upside down on a soft and clean surface to protect it from damage.



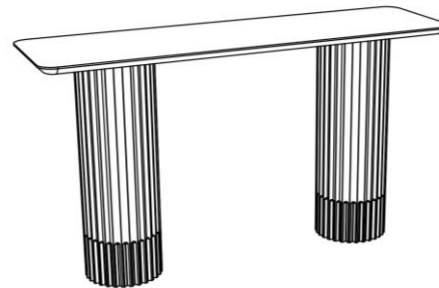
2
Align the screw holes on one leg (B) with the corresponding holes on the underside of the table top (A).



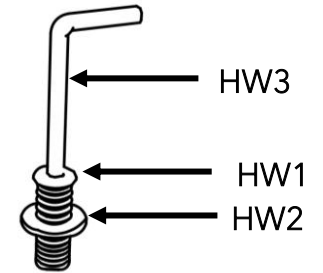
4
Repeat steps 2-3 for the second leg (B).



5
Carefully turn the assembled console table upright and place it in your desired spot within your home.



3
Place the metal washers (HW2) on the Allen bolts (HW1). Attach the Leg (B) to the table top (A) by using the Allen key (HW3) to screw in the Allen bolts (HW1) with the washers (HW2). Make sure the leg (B) is securely attached.



6
We'd love to see it - just tag us (we're @safavieh) and use the hashtag #safavieh on Instagram!

@safavieh