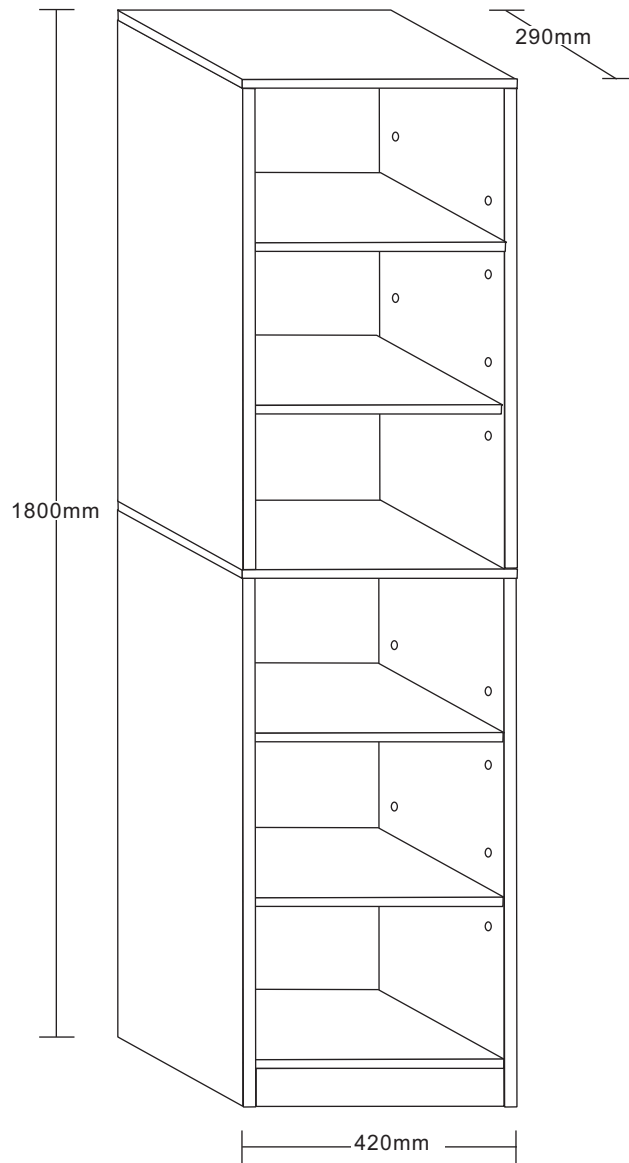


# BOOKCASE



Dimensions	No. People	Assembly Time
Width: 42cm Depth: 29cm Height: 180cm		40 mins (approx)

## Important

- PLEASE READ THESE INSTRUCTION FULLY BEFORE STARTING ASSEMBLY.
- PLEASE DO NOT THROW THE PACKAGING AWAY UNTIL YOU ARE SATISFIED WITH PURCHASE, GOODS NEED TO BE RETURNED IN ORIGINAL PACKAGING.

## ⚠ Safety and Care Advice

**Important-Please read these instructions fully before starting assembly**

- Check you have all the components and tools listed on pages 2,3 and 4.
- Remove all fittings from the plastic bags and separate them into their groups.
- Keep children and animals away from the work area, small parts could choke if swallowed.
- Make sure you have enough space to lay out the parts before starting.
- Do not stand or put weight on the product, this could cause damage.
- Assemble the item as close to its final position (in the same room) as possible.
- Assemble on a soft, level surface to avoid damaging the unit or your floor.
- We do not recommend the use of power drill/drivers for inserting screw, as this could damage the unit. only use hand screwdrivers.
- Dispose of all packaging carefully and responsibly.

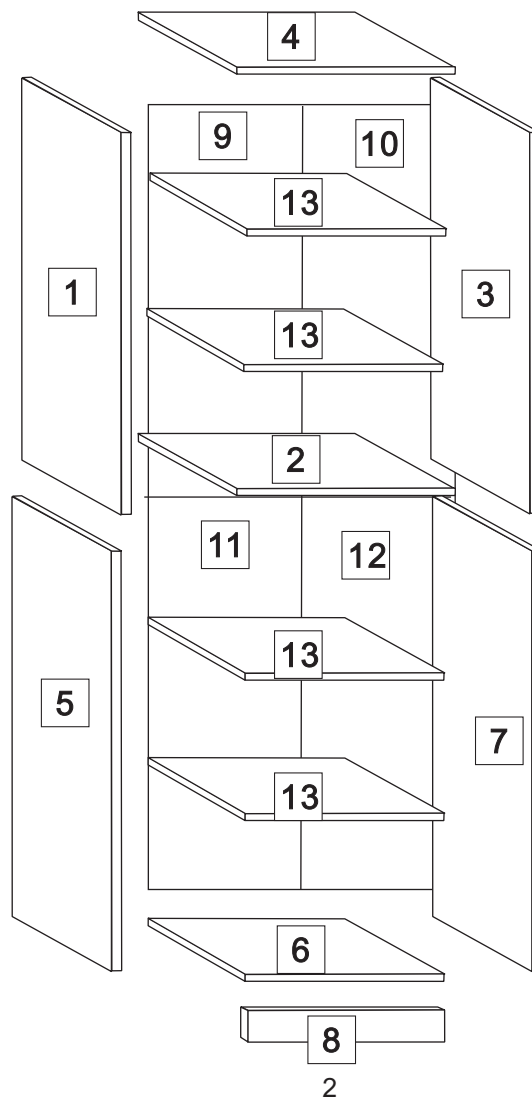


## Care and Maintenance

- Only clean using a damp cloth and mild detergent, do not use bleach or abrasive cleaners.
- From time to time check that there are no loose screws on this unit.
- This product should not be discarded with household waste. Take to your local authority waste disposal centre.

If you are unhappy with the product and wish to return it, please following the retailer's returns procedure.

## Components - Panels






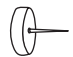




# Components - Fixings




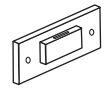

Please check that you have all the components listed below before constructing your item.

**Note:** The quantities below are the correct amount to complete the assembly. In some cases more fittings may be supplied than are required.

## HARDWARE

<p>(A)</p>  <p>JCBC M5 X 40mm X 14</p>	<p>(B)</p>  <p>Nail X 48</p>	<p>(C)</p>  <p>Bolt      Nut Mini Fit set X 4 sets</p>	<p>(D)</p>  <p>Leg Pin X 4</p>	<p>(E)</p>  <p>Plastic Shelf Support X 16</p>	<p>(F)</p>  <p>Allen Key X 1</p>
---	---	---	---	--	---

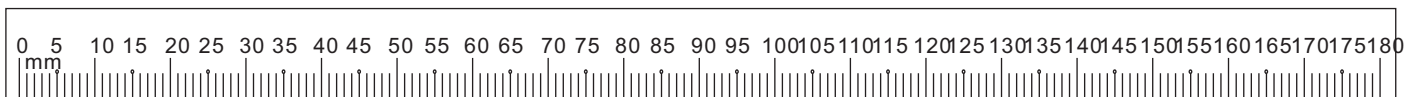
## ANTI - TIPPING KITS

<p>(G)</p>  <p>M4 X 32mm X 4</p>	<p>(H)</p>  <p>M3.5 X 20mm X 4</p>	<p>(I)</p>  <p>Wall Plug X 4</p>	<p>(J)</p>  <p>Bracket X 4</p>	<p>(K)</p>  <p>Strap X 2</p>
---	---	---	---	---

### Tools Required ( Not Provided)



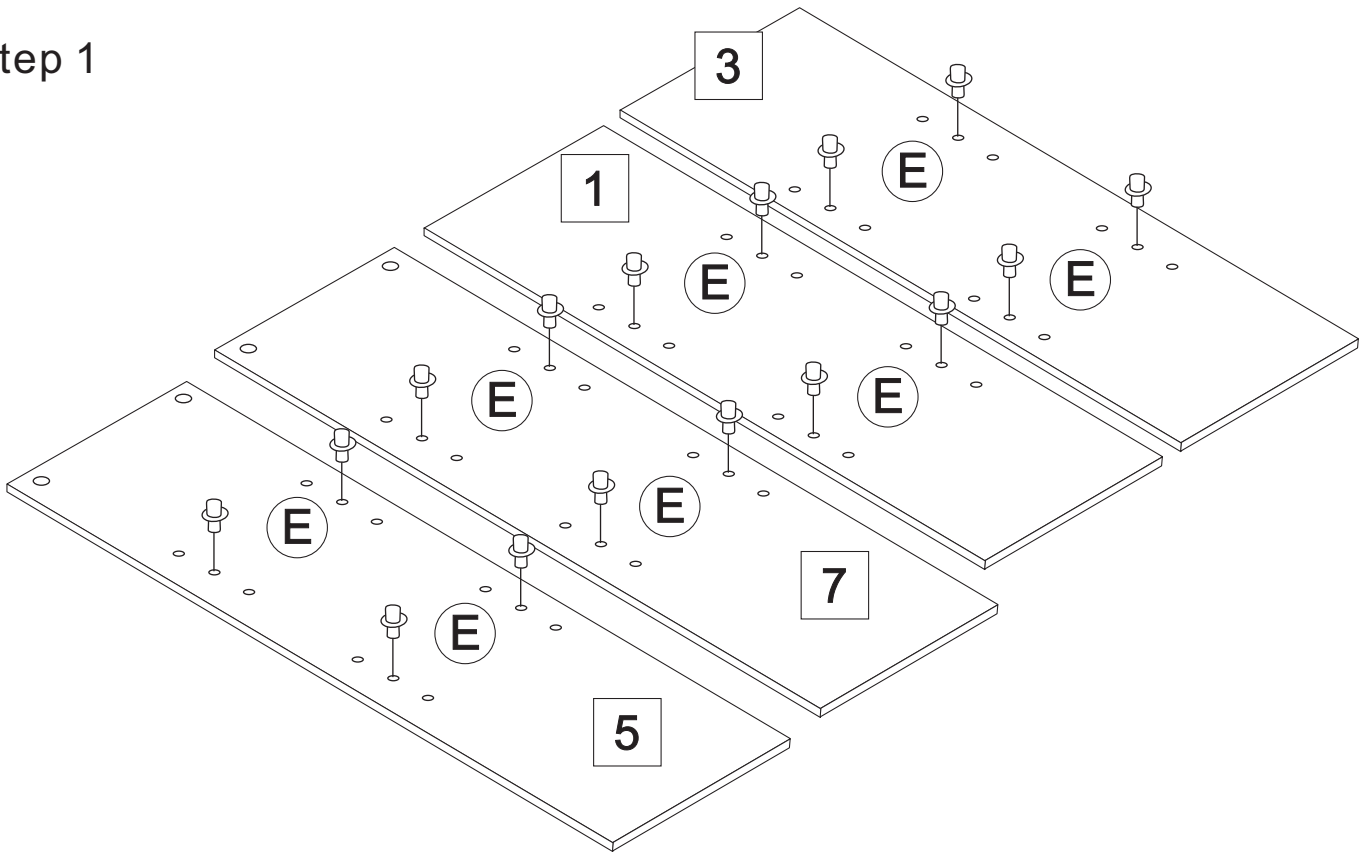
### Ruler - Use this to measure your screws (mm)



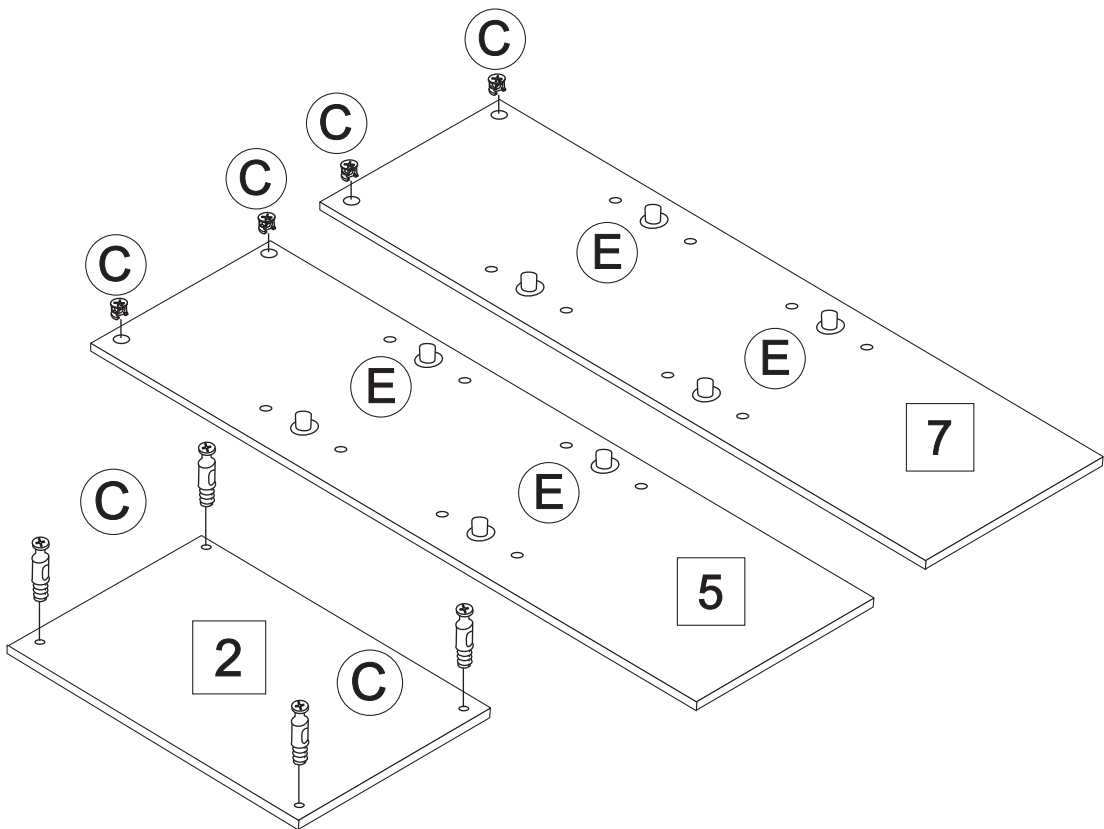
### Important-Please read these instructions fully before starting assembly

# Assembly Instructions

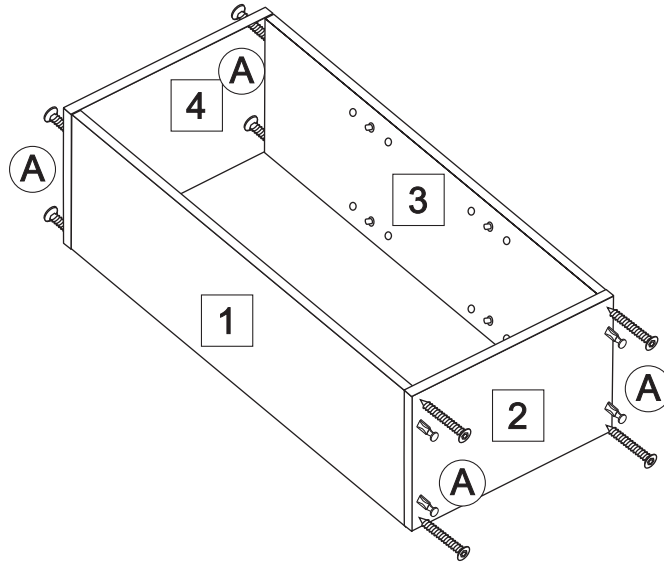
## Step 1



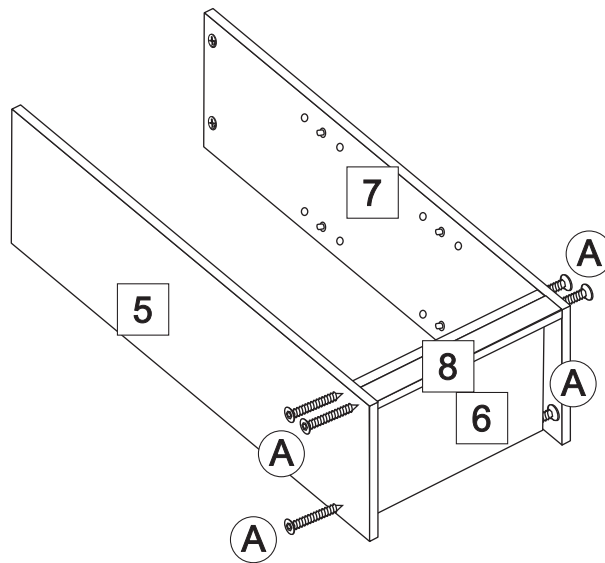
## Step 2



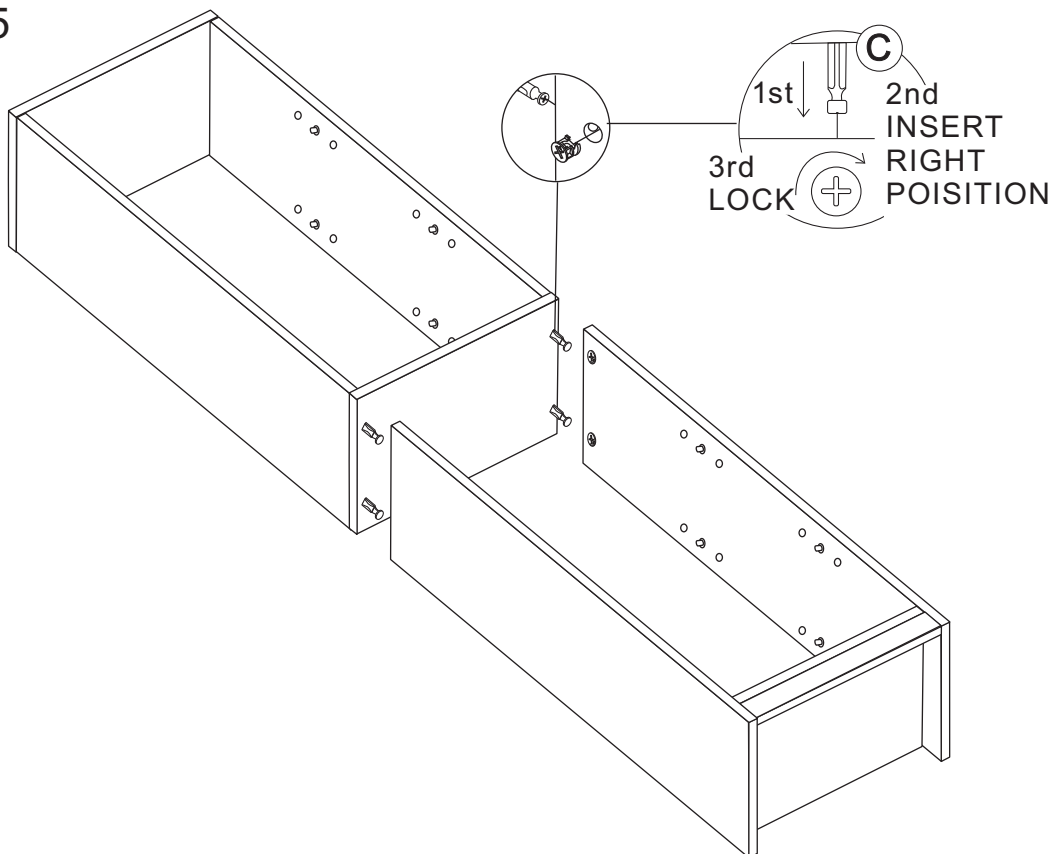
### Step 3



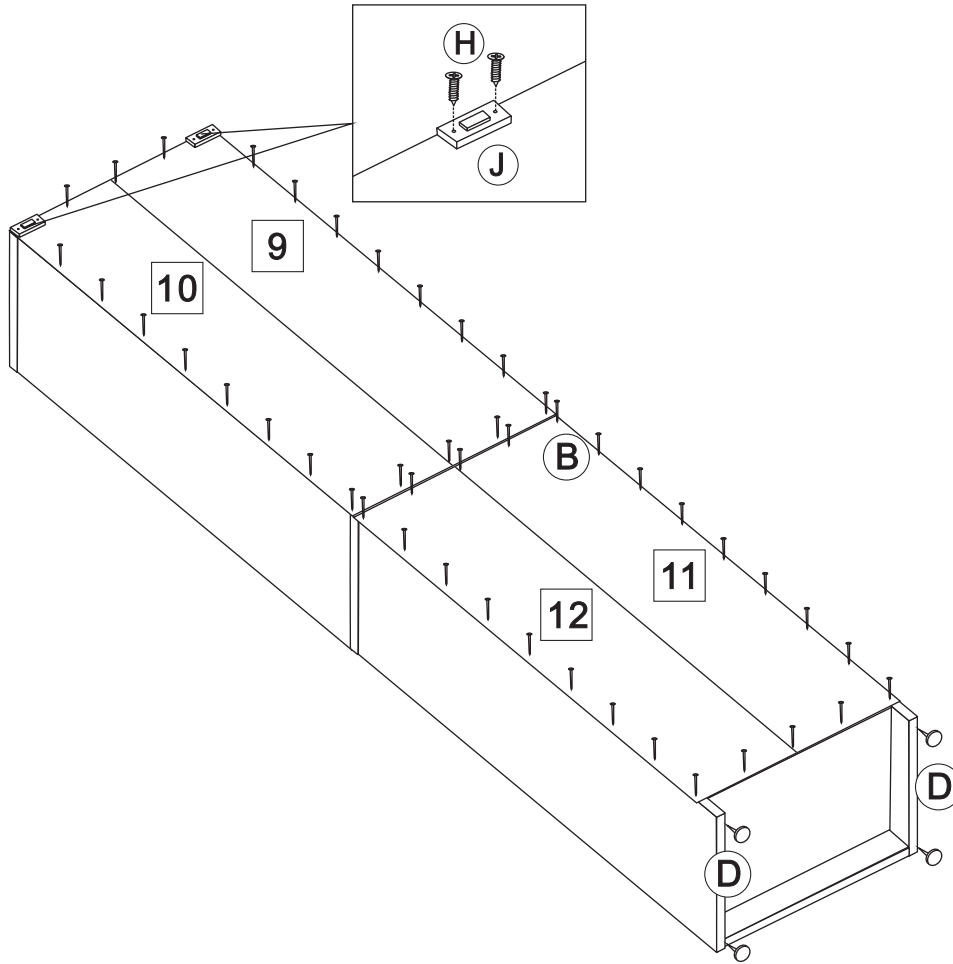
### Step 4



### Step 5



# Step 6



# Step 7

