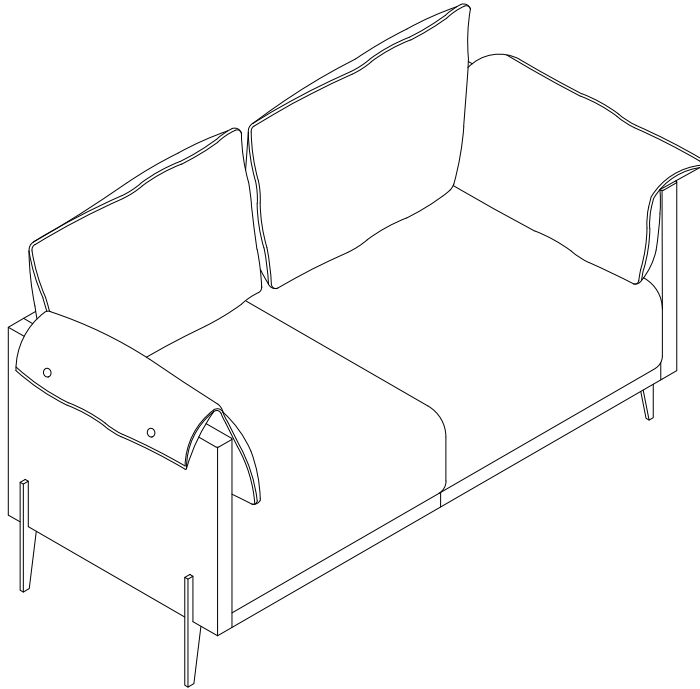
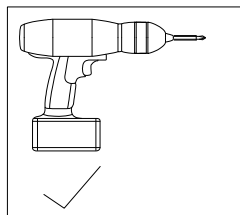


# ASSEMBLY INSTRUCTION

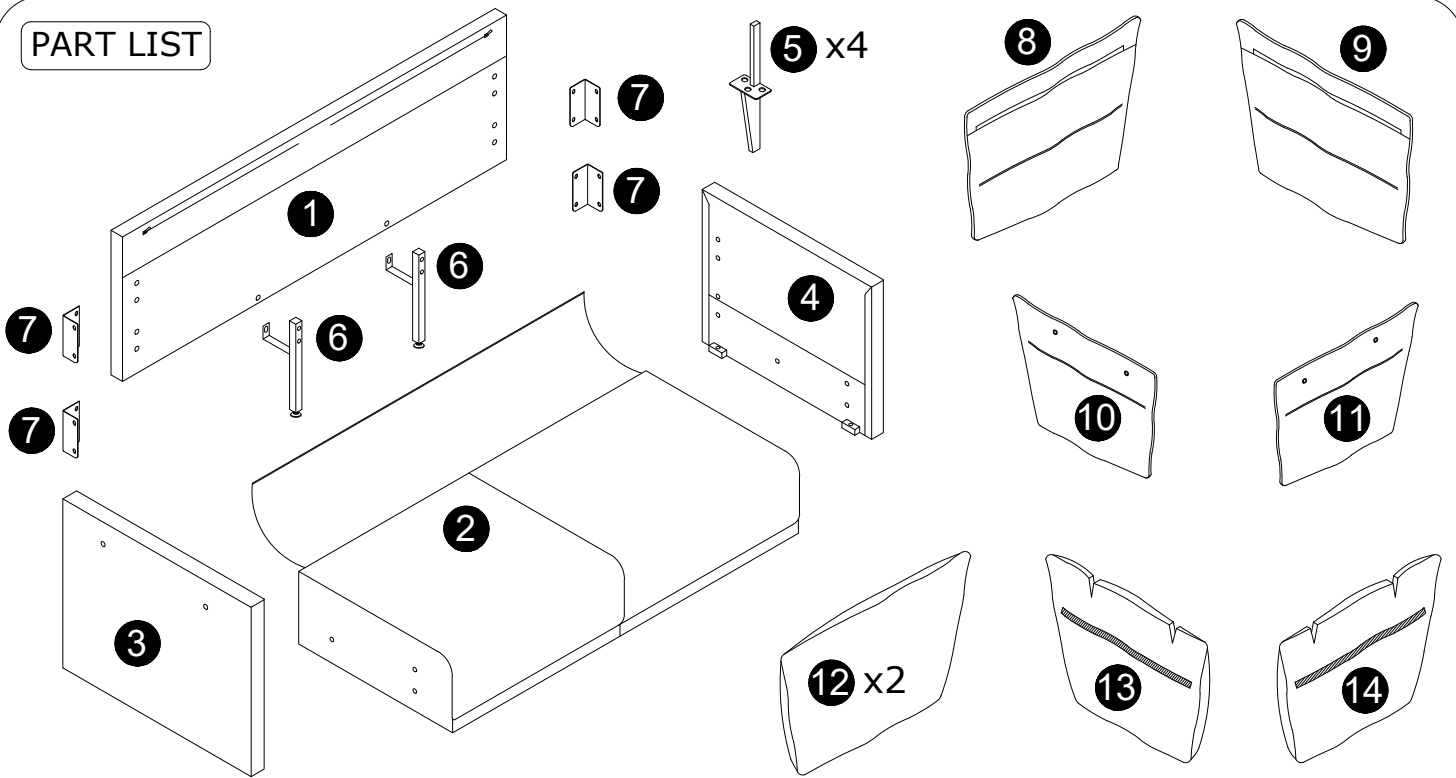


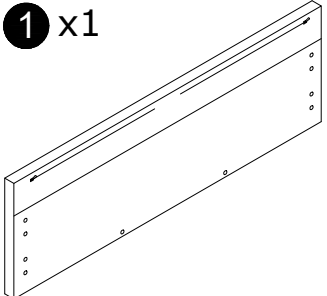
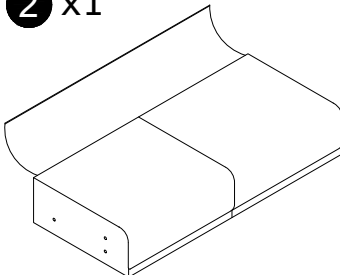
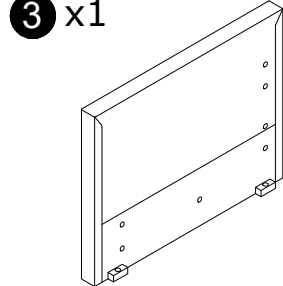
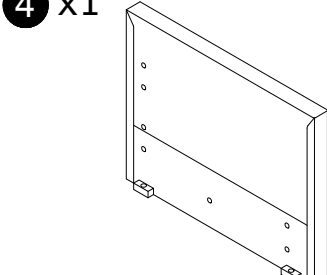
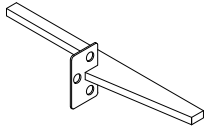
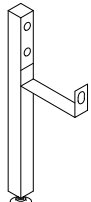
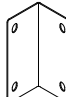
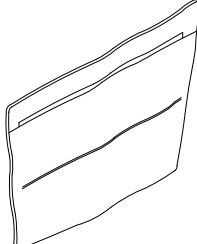
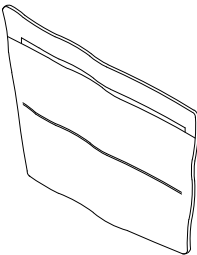
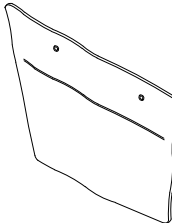
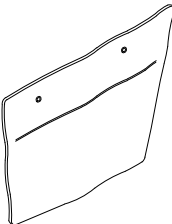
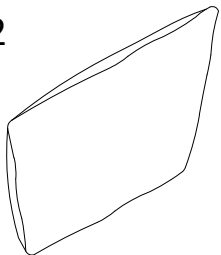
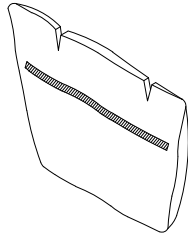
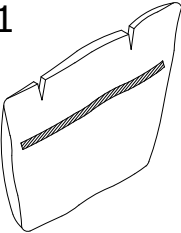
## IMPORTANT NOTE

1. FOR THE PROTECTION OF YOUR FURNITURE, PLACE ALL PARTS ON A CLEAN AND SMOOTH SURFACE TO PREVENT ANY DAMAGE.
2. DO NOT USE POWER TOOLS TO ASSEMBLE THE SOFA.
3. PLEASE PERIODICALLY CHECK ALL FITTINGS AND RE-TIGHTEN AS NECESSARY.
4. DO NOT USE THE SOFA UNLESS ALL BOLTS AND SCREWS ARE FIRMLY SECURED.
5. NEED PARTS OR ASSISTANCE? EMAIL US
6. YOU CAN ASSEMBLE IT WITH OUR PACKAGING TOOLS OR WITH A.

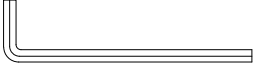



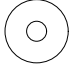
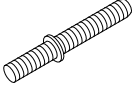

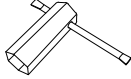





**PART LIST**

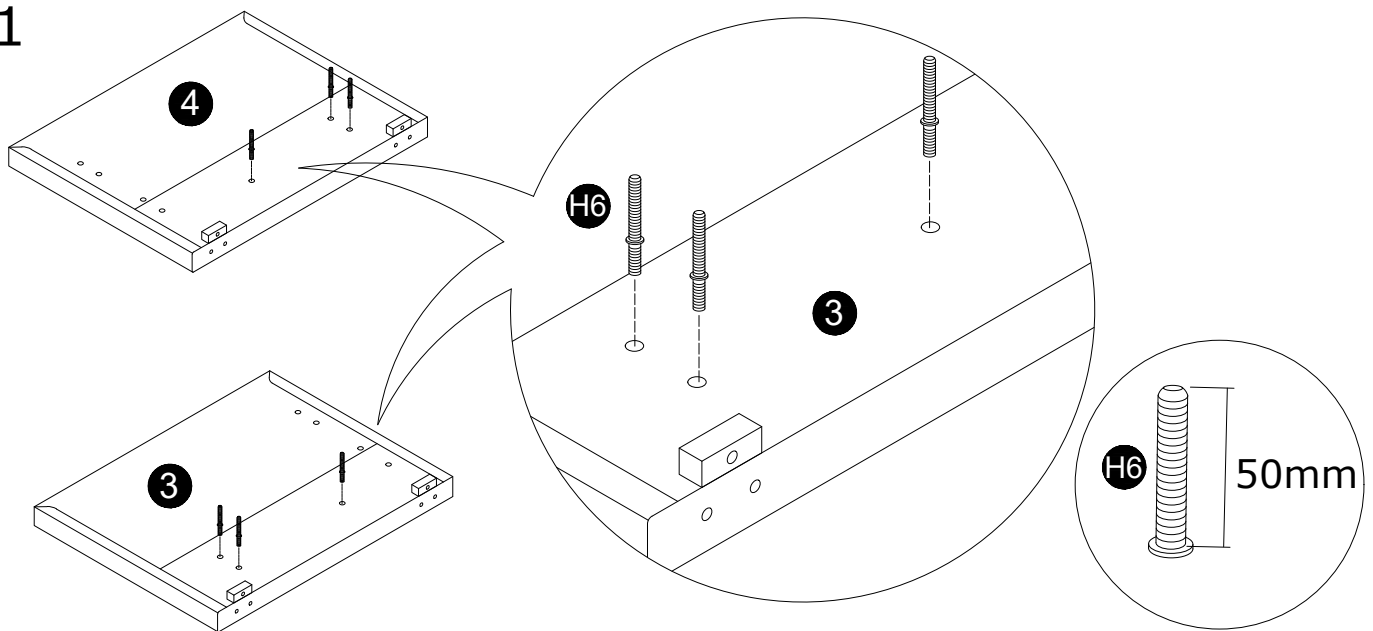


<p><b>1</b> x1</p> 	<p><b>2</b> x1</p> 	<p><b>3</b> x1</p> 	<p><b>4</b> x1</p> 
<p><b>5</b> x4</p> 	<p><b>6</b> x2</p> 	<p><b>7</b> x4</p> 	<p><b>8</b> x1</p> 
<p><b>9</b> x1</p> 	<p><b>10</b> x1</p> 	<p><b>11</b> x1</p> 	<p><b>12</b> x2</p> 
<p><b>13</b> x1</p> 	<p><b>14</b> x1</p> 		

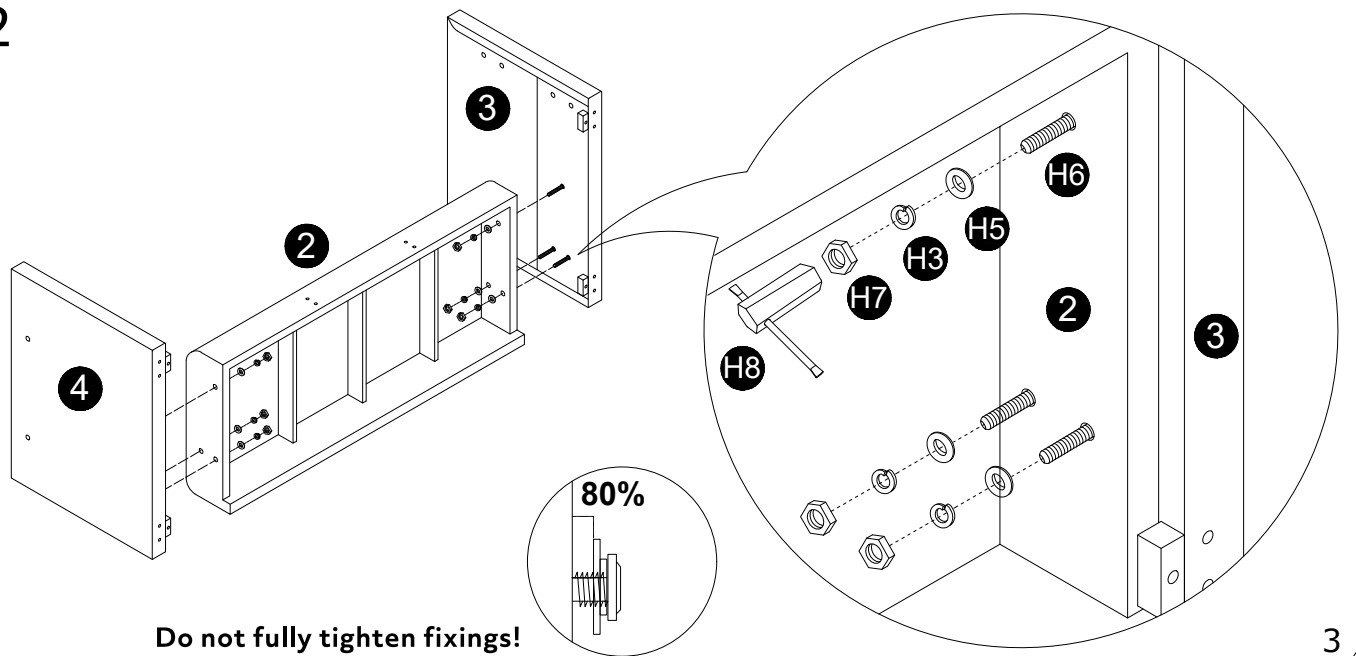
# HARDWARE LIST

 <b>H1</b> M5 x 1pc	 <b>H2</b> M8x25mm x 30pcs	 <b>H3</b> M8 x 24pcs	 <b>H4</b> M8x17mm x 34pcs
 <b>H5</b> M8x22mm x 6pcs	 <b>H6</b> M8x80mm x 6pcs	 <b>H7</b> M8 x 6pcs	 <b>H8</b> x 1pc
 <b>H9</b> M8x40mm x 4pcs	 <b>H10</b> x 4pcs	 <b>H11</b> x 4pcs	

1



2



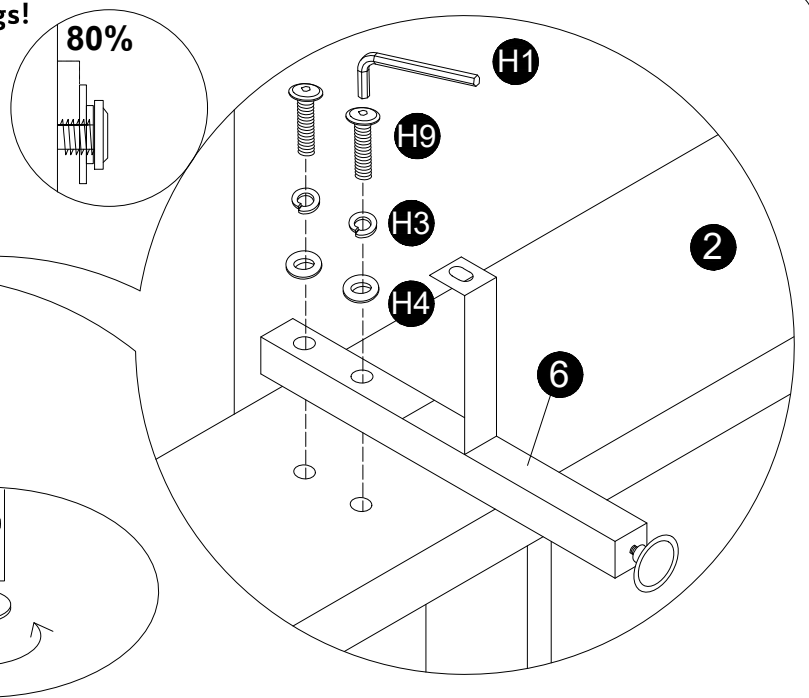
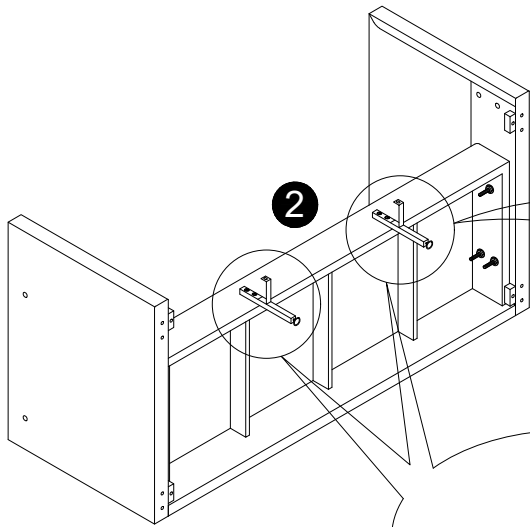
Do not fully tighten fixings!

3

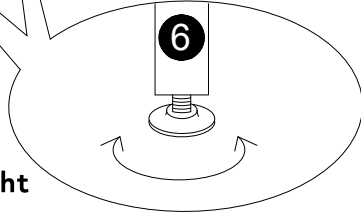
3

Do not fully tighten fixings!

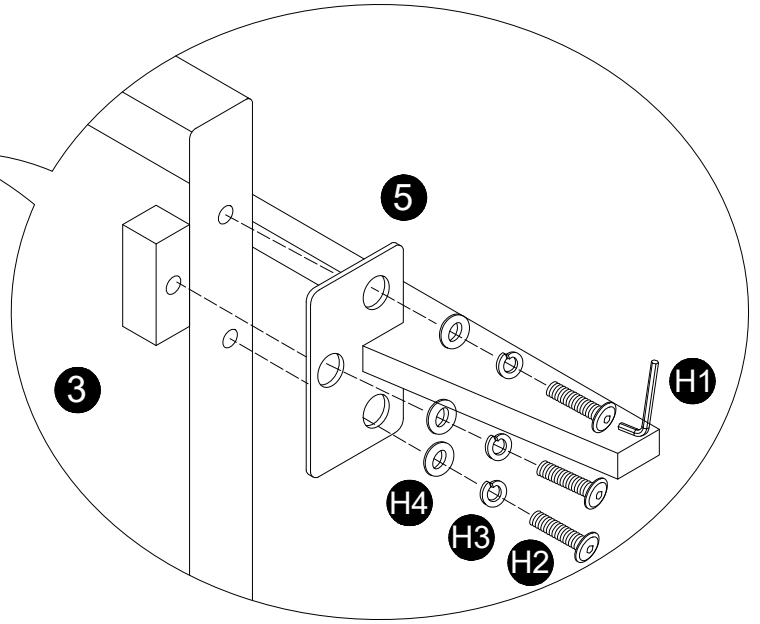
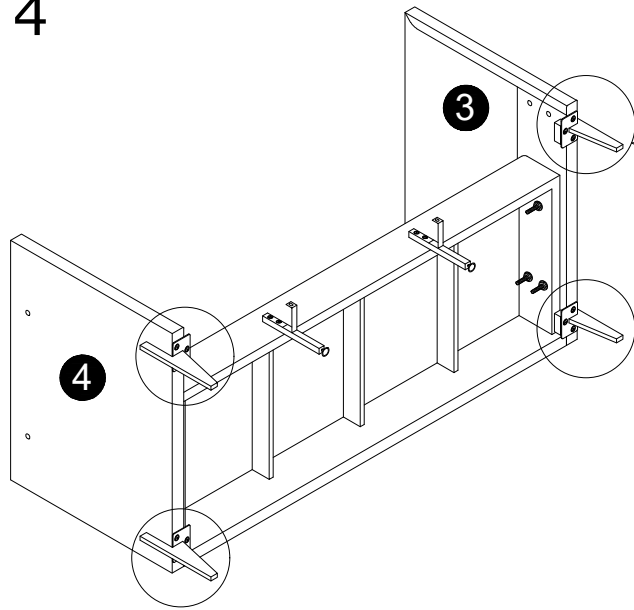
80%



Adjustable height



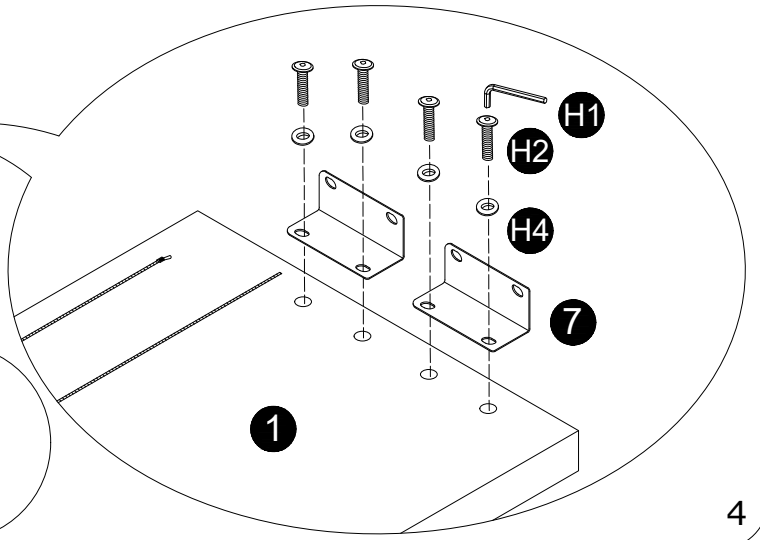
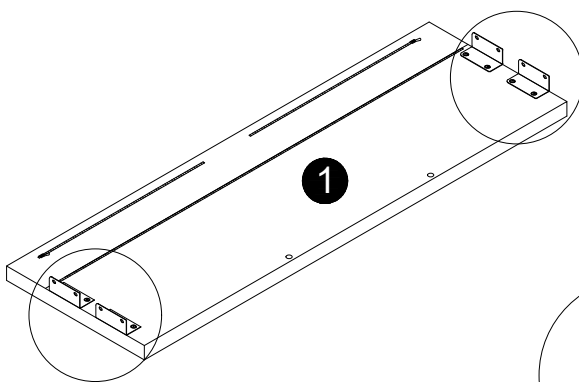
4



5

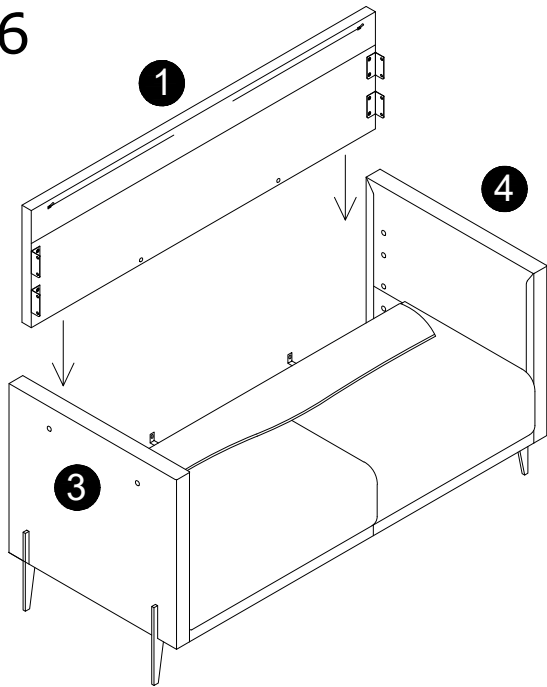
Do not fully tighten fixings!

80%

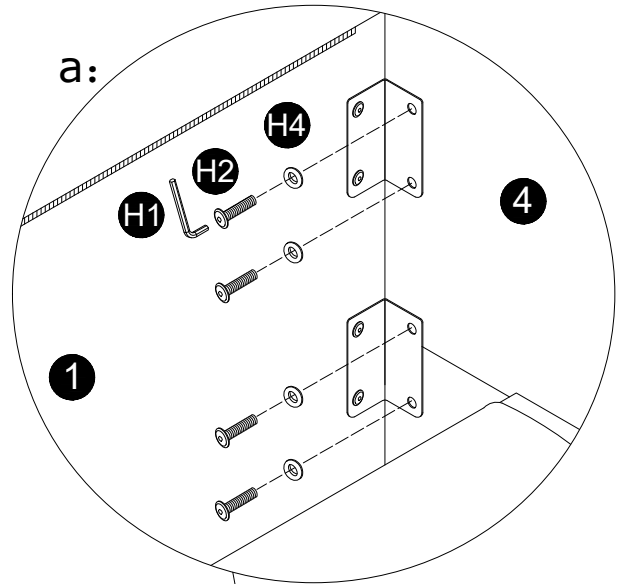


4

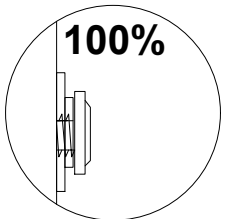
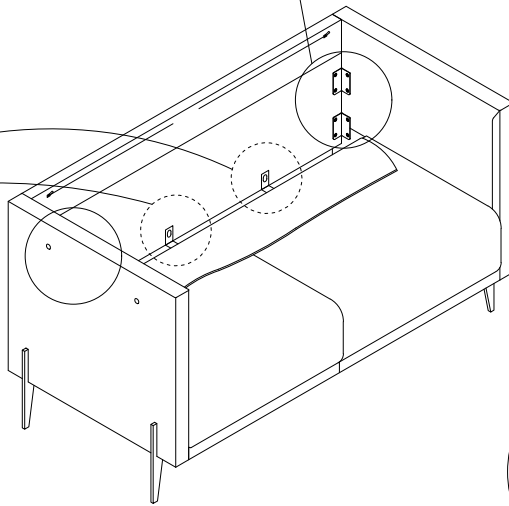
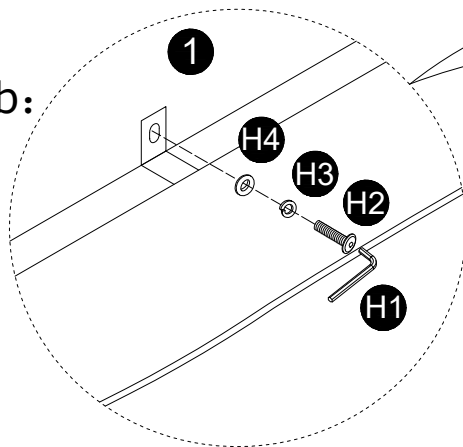
6



a:

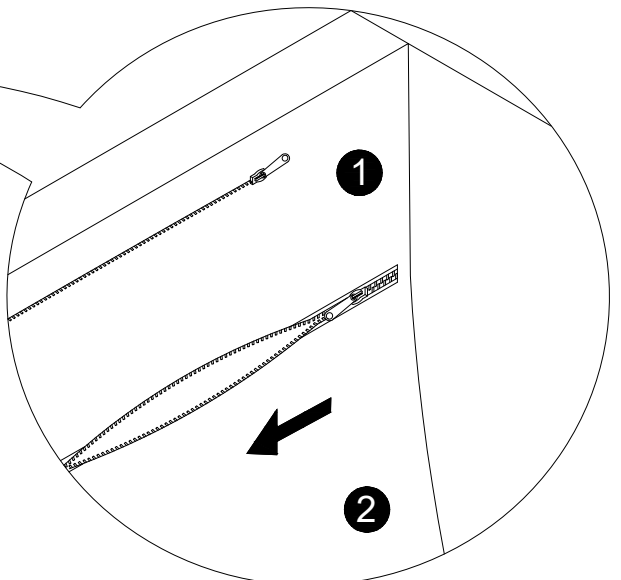
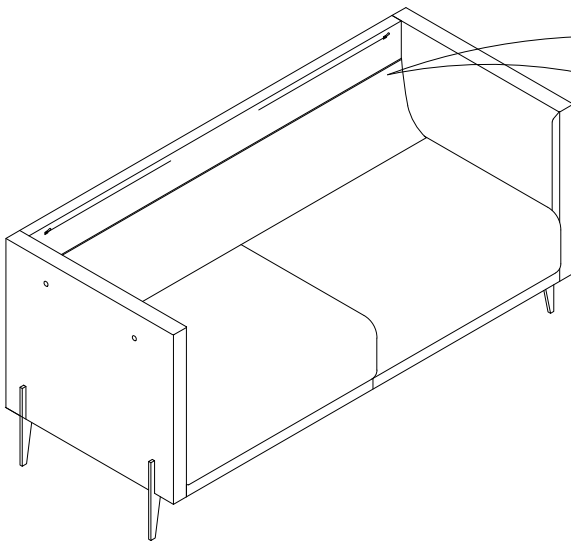


b:

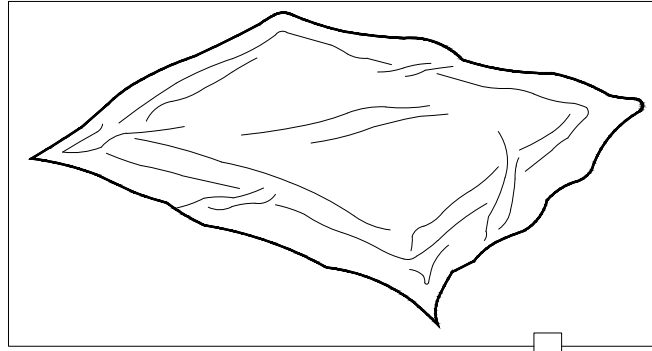


After installing complete the ,  
tighten ALL the screws from Step 2 to Step 5.

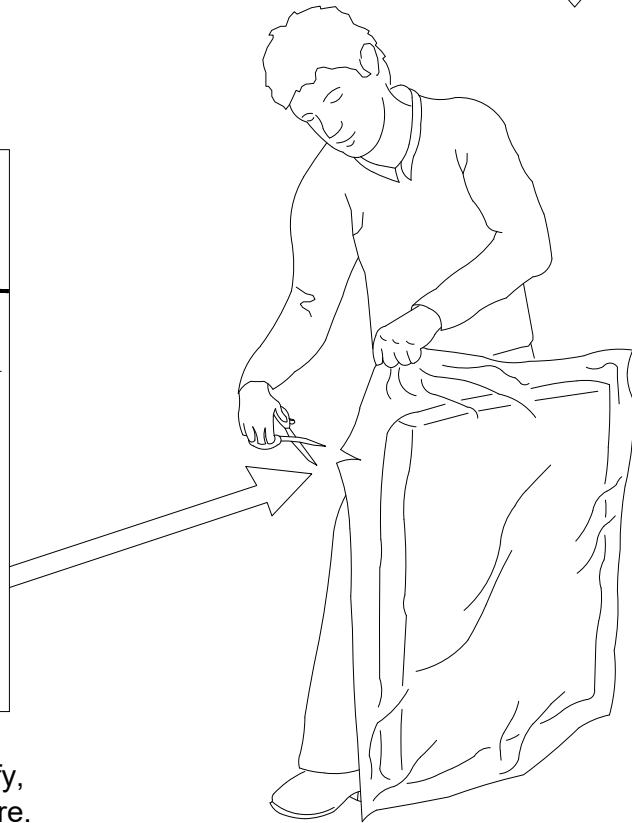
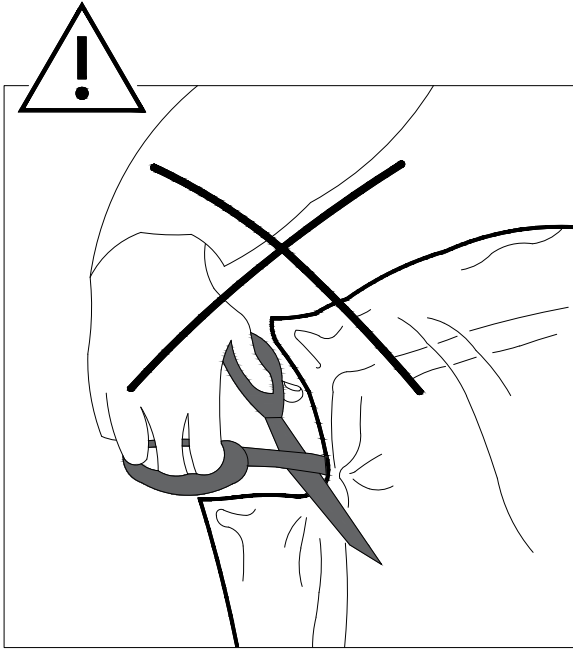
7



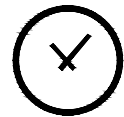
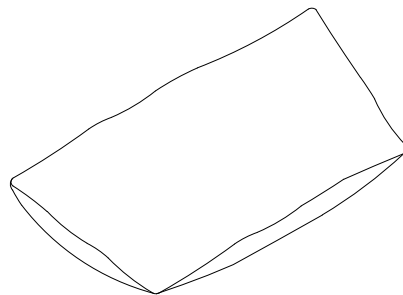
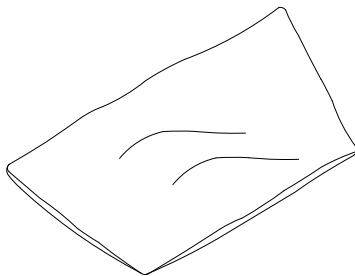
8



12 x2  
13 x1  
14 x1



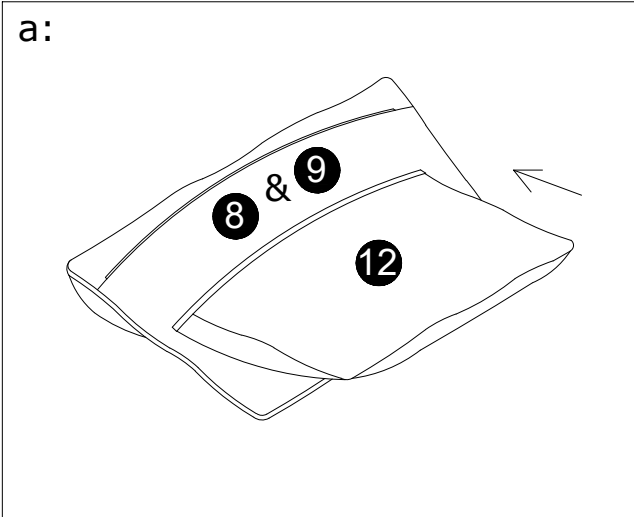
Open the vacuum-sealed pillow core bag, let the pillow core expand and become fluffy, and be careful not to damage the pillow core.



72h

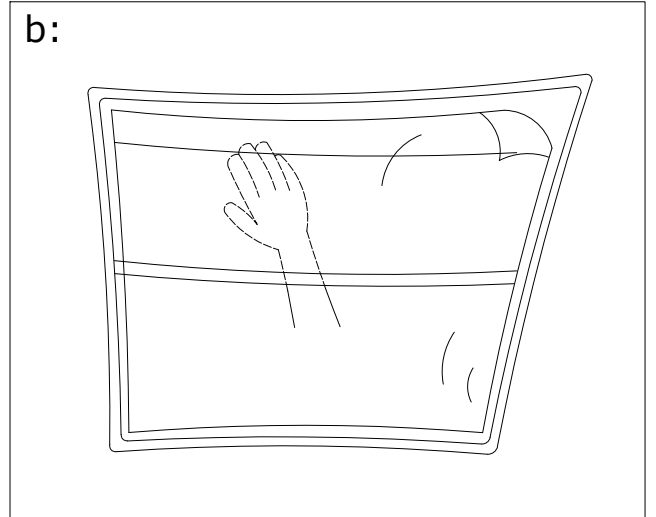
# 9

a:



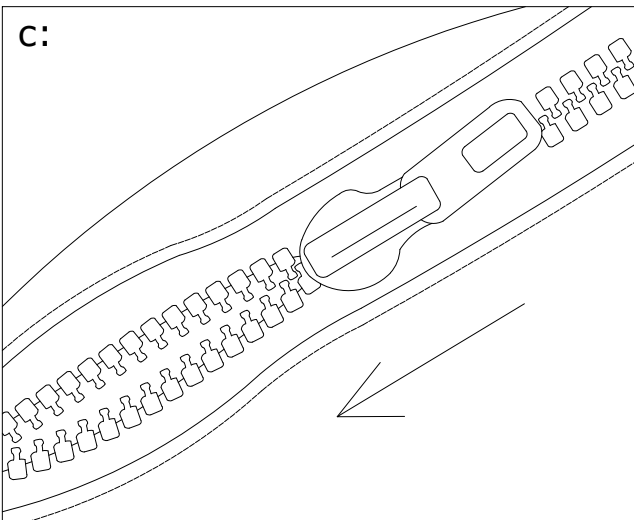
Unzip the cover, place the pillow core inside, and make sure to prioritize getting the corners into position first.

b:



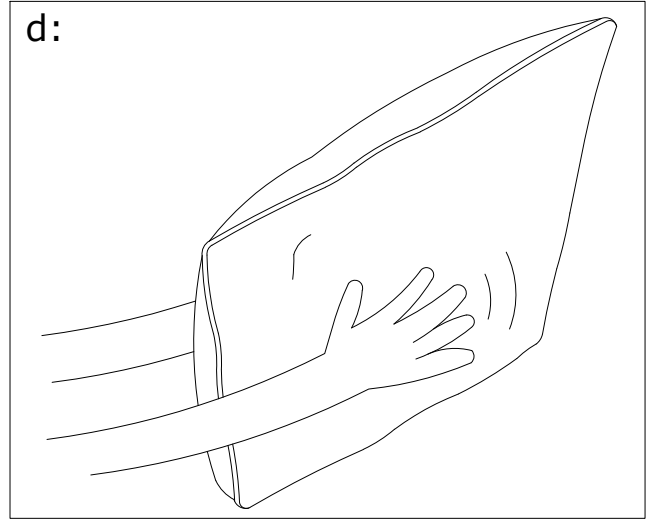
After inserting the pillow core, press the four corners into place.

c:

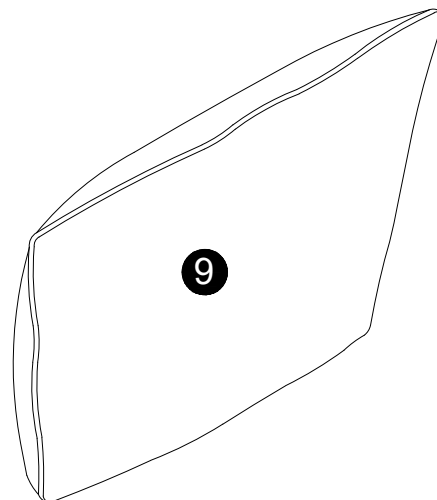
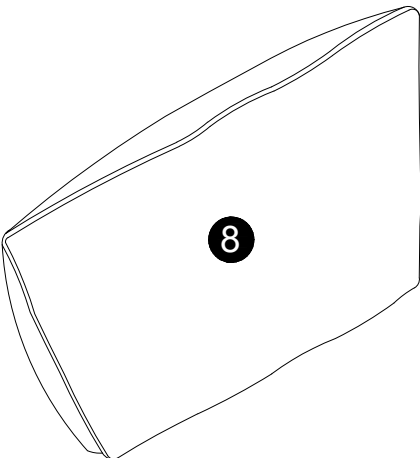


Close the zipper.

d:

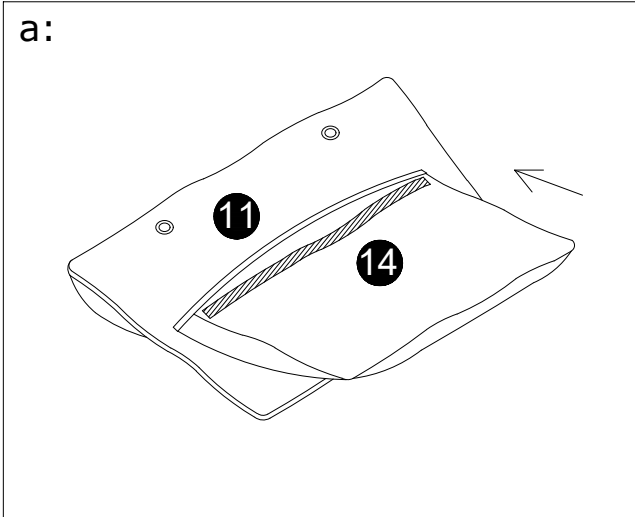


Fluff and distribute evenly.



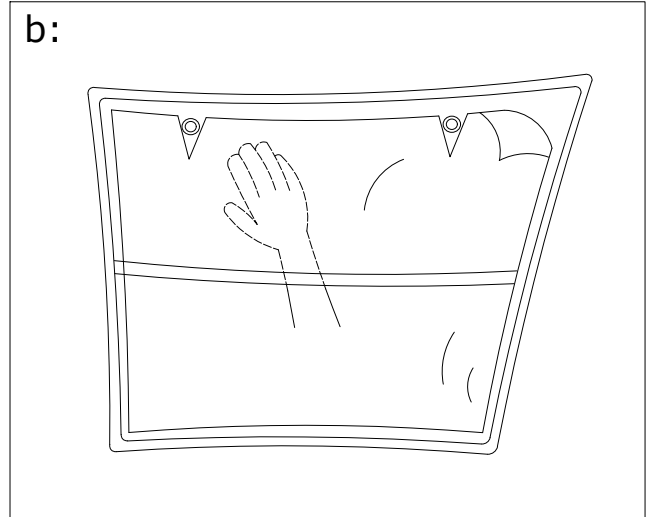
# 10

a:



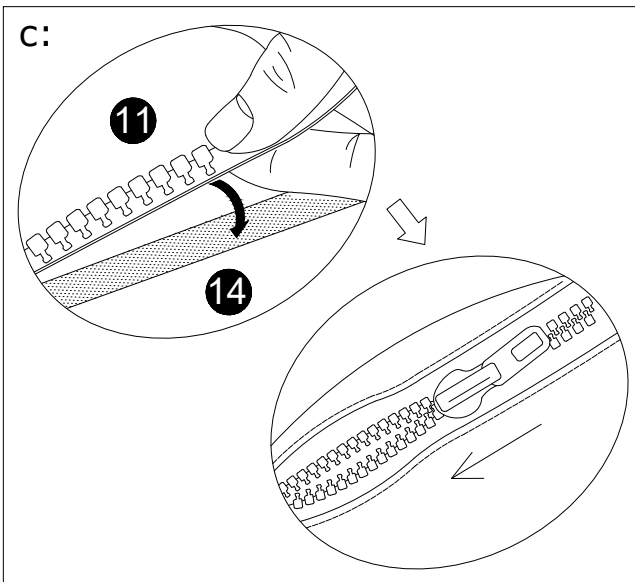
Unzip the cover, place the pillow core inside, and make sure to prioritize getting the corners into position first.

b:



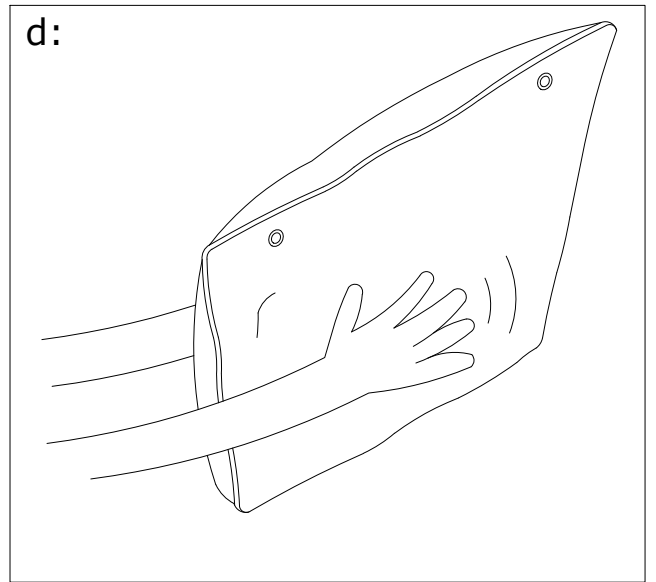
After inserting the pillow core, press the four corners into place.

c:



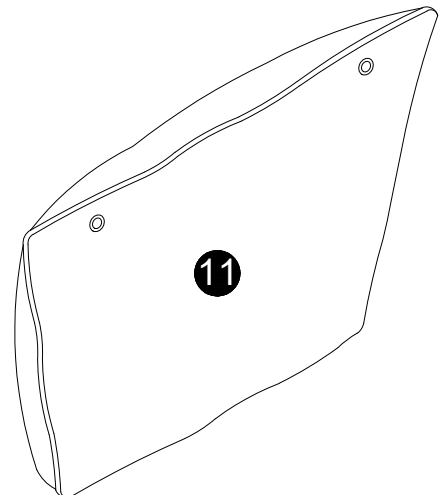
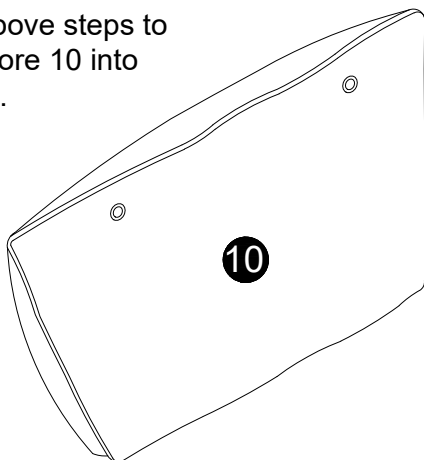
Close the zipper.

d:

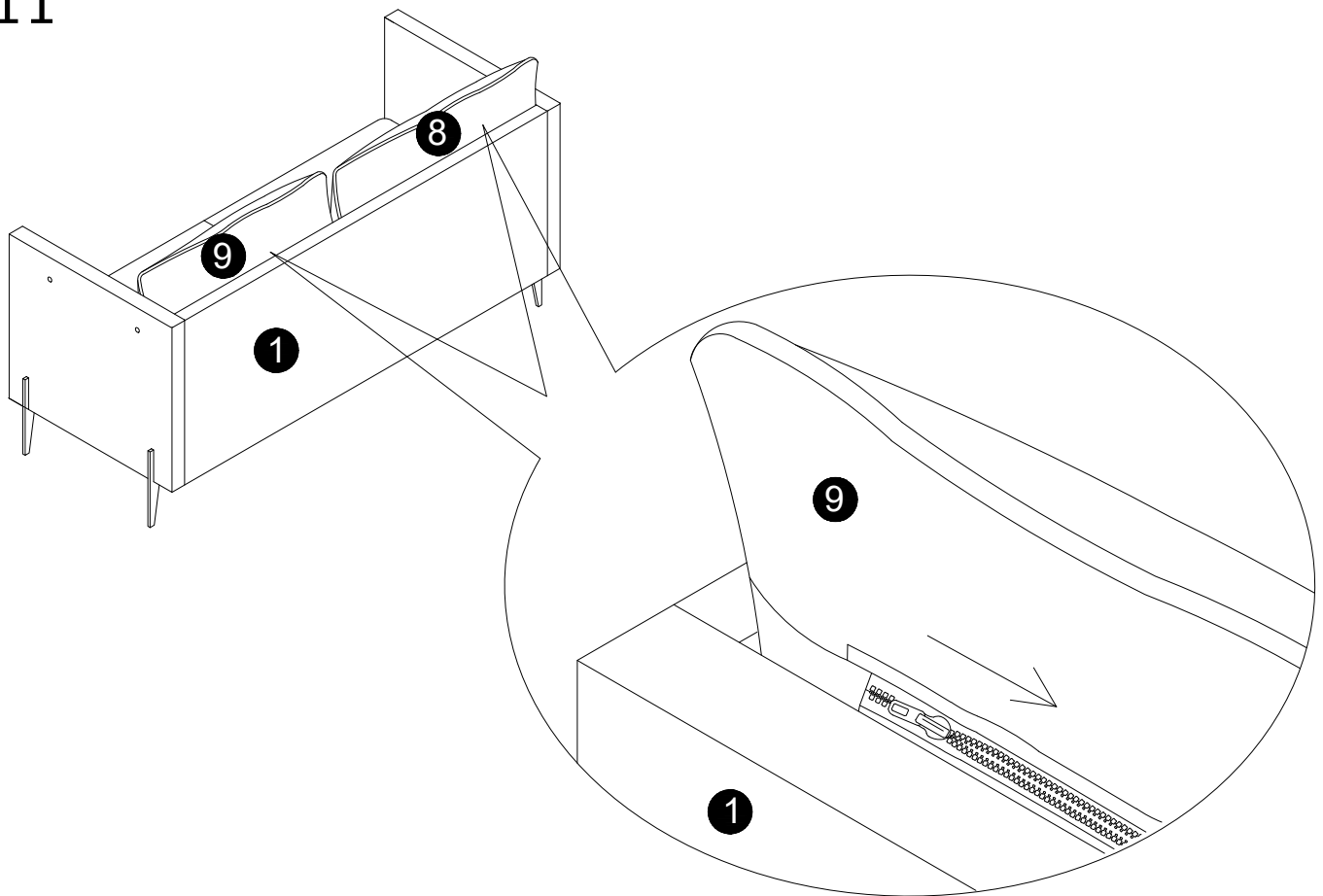


Fluff and distribute evenly.

Repeat the above steps to place pillow core 10 into pillowcase 13.



11



12

