

Wall Clock

General Guidelines

- Do not throw away packing materials until assembly is complete for small parts may come loose inside the carton during shipment. If parts are missing, please contact us.
- Assemble this item on a soft surface, such as carpet to protect the finish.
- During assembly, keep any small part out of reach of children as they may be fatal if swallowed or inhaled. Keep plastic packing bags out of reach of children to avoid any potential danger, such as suffocation.
- Avoid sharp objects and corrosive chemicals to prevent damage to the product or bodily injury.
- Clean with damp cloth. To protect the finish, avoid use chemicals and household cleaners.



TIME



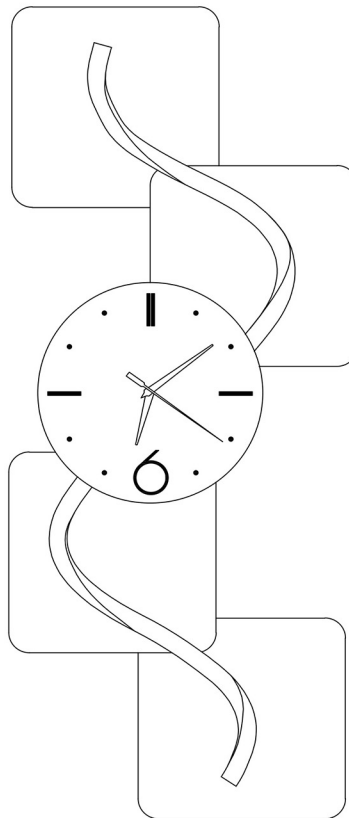
1 People



DIFFICULTY

Parts List

Ax1

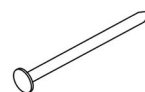


Accessories List

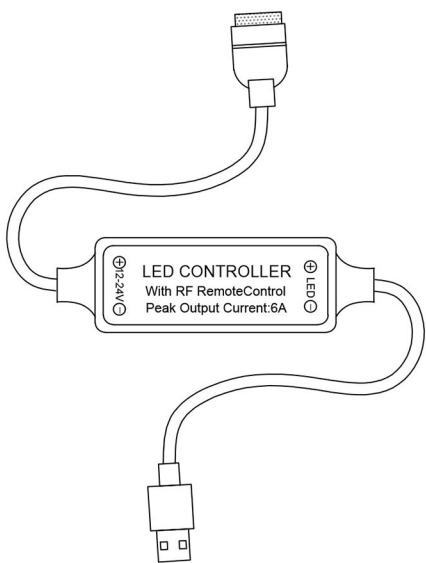
Bx2



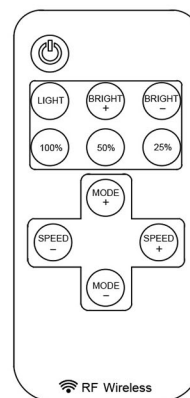
Cx2



Dx1

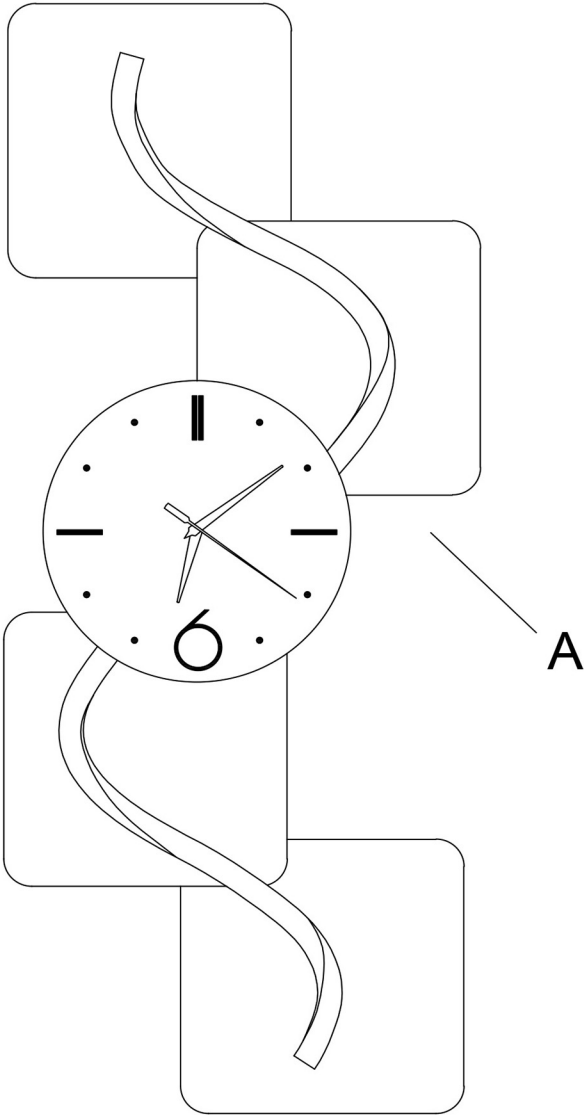


Ex1

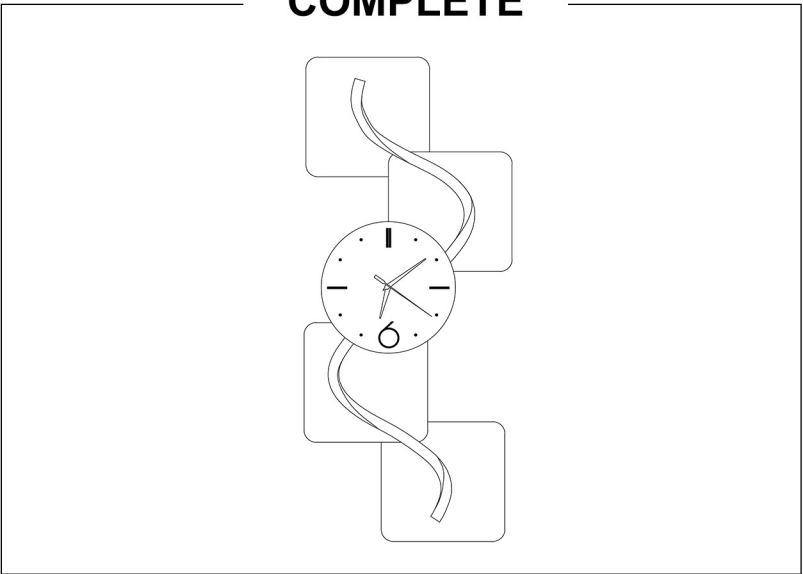


Exploded Views

EXPLODED

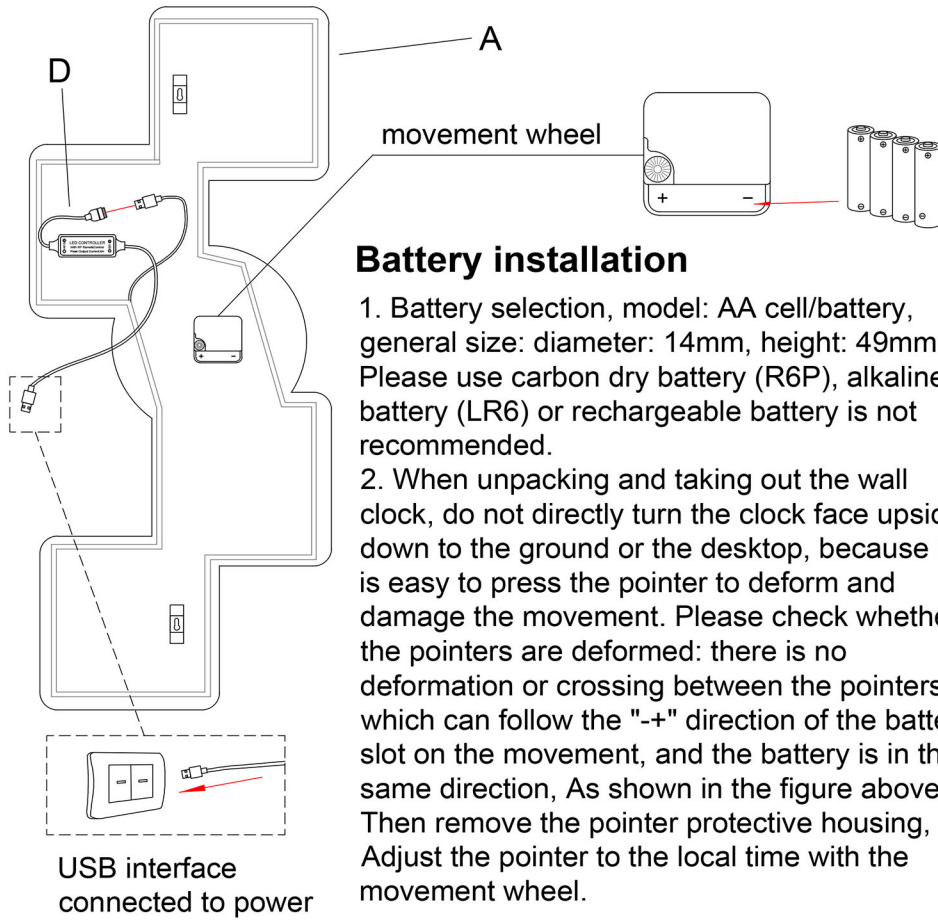


COMPLETE

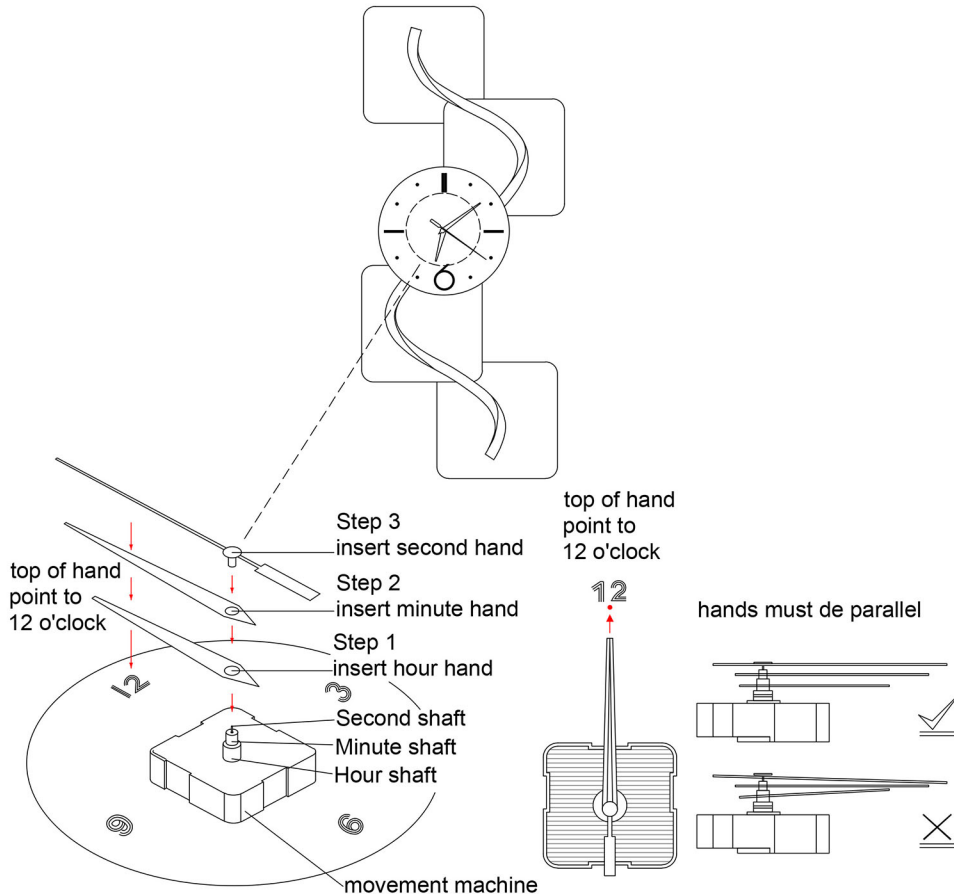


Installation Steps

Step 1

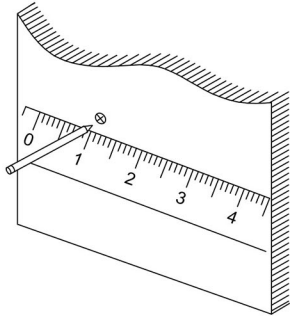


Step 2

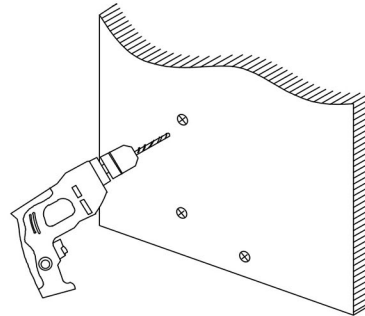


Installation Steps

Step 3

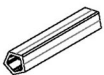


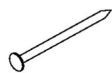
Step 1: Mark the hole position on the wall with a pen,

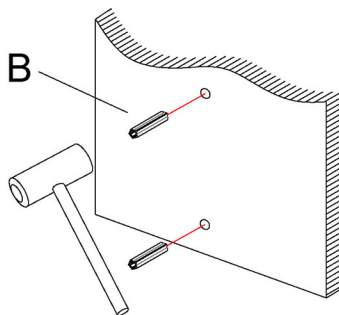


Step 2: Punch holes at the marked positions with an electric drill, the depth of which is the length of the expanded rubber cap.

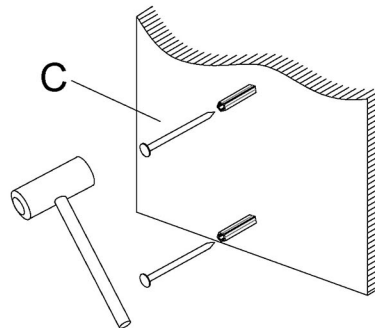
Step 4

B  x2

C  x2



Step 3: Plug the expansion rubber cap into the hole.

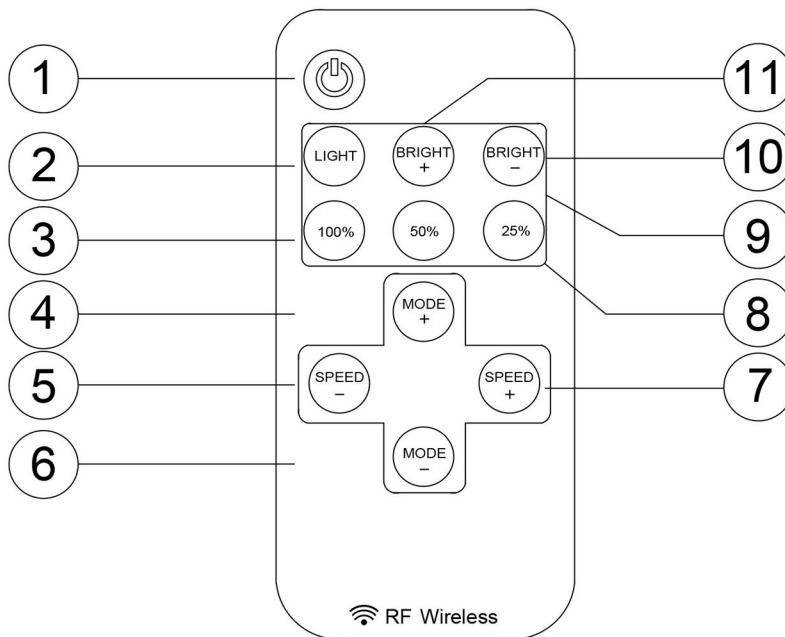


Step 4: Nail the screw into the expanded rubber cap, with the nail head reserved for 5mm, and hang the product back hook on the screw to finish.

Installation Steps

Step 5

- (1) Please prepare the power adapter to connect the wire, and power on the light
- (2) Use the remote control to adjust the light belt.



1. Turn On/ Standby

Press this key to turn on unit or switch to standby mode. Unit will turn on and restore to previous status at powering on moment.

2. Lighting mode

Switch to lighting mode from dynamic mode

3/8/9. Dimmer Adjust Shortcuts

Switch to 100%, 50%, or 25% brightness lighting mode.

4/6. Dynamic Mode Adjust

Switch to dynamic mode from lighting mode or switch between different dynamic modes

5/7. Speed Adjust

Adjust playing speed of dynamic modes Press SPEED+ to increase speed and press SPEED- to decrease.

10/11. Brightness Adjust (Dimmer)

Adjust lighting mode brightness. Press BRIGHT+ to increase brightness and press BRIGHT- to decrease.