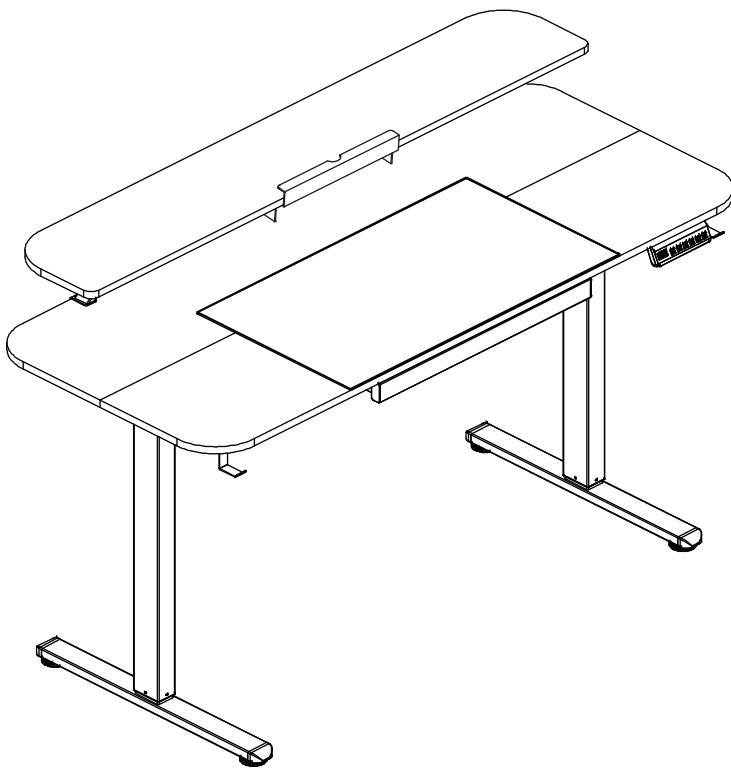


Assembly Instructions

READ THIS MANUAL

Do not use this product until you read and understand the instructions in this manual.

KEEP THIS MANUAL FOR FUTURE REFERENCE.



If you have any questions about the product, please contact us through the contact information on the left. We will strive to resolve your problem within 24 hours on business days.

SAFETY INFORMATION

CAUTION Read all instructions and using this desk.

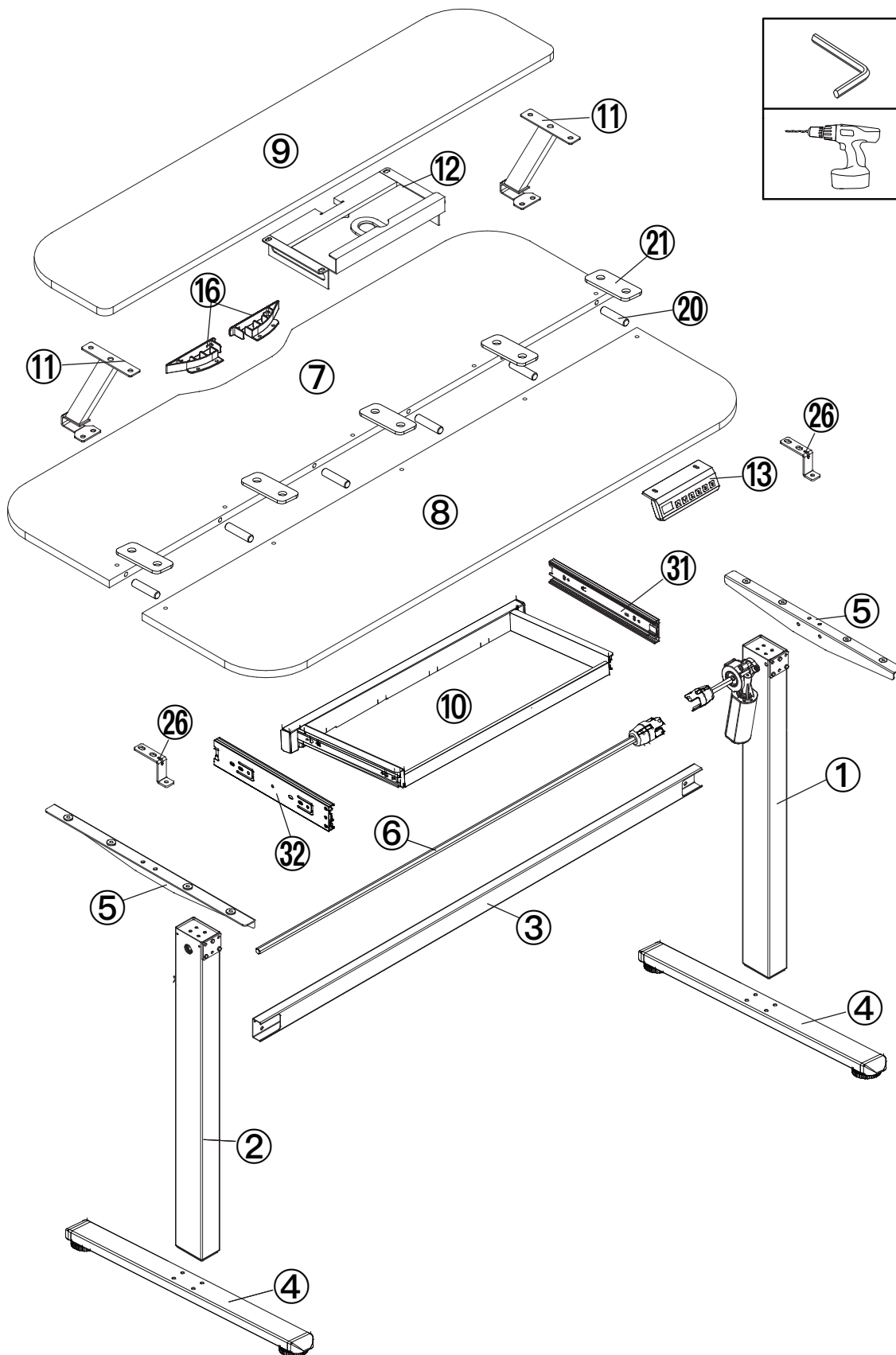
– Save these instructions

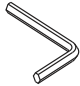

1. Close supervision is necessary when this furnishing is used by, or near children, invalids, or disabled persons.
2. Use this furnishing only for its intended use as described in these instructions. Do not use attachments not recommended by the manufacturer.
3. Installation and assembly must be performed by an adult.
4. Ensure that the floor is able to with stand the weight of the console when fully loaded.
5. To reduce risk of personal injury and product damage, always ensure a sufficient amount of personnel are present when unpacking, moving and assembling the desk system.
6. Do not leave children alone to climb or play in or around this desk all the time.
7. Use this product for its intended purpose only. Do not use side boards as step ladder.
8. To avoid damage, assemble the desk on a sturdy, level and protective surface.
9. Two or more persons work together to install this product if needed.
10. Make sure all screws are tightly fastened before the product is used.
11. Check screws periodically and tighten them if necessary.

Failure to adhere to these warnings may result in serious injury or property damage.

The installation position of the main accessories

◆ Please check and ensure all the things are in the package. Please contact us if something is not included. We will reply within 24 hours and try our best to solve it.

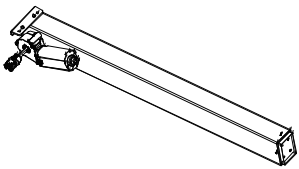


	YES
	NO

PARTS AND ACCESSORIES

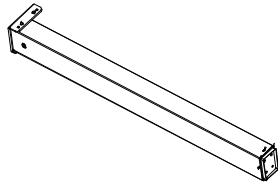
◆ Avoid using sharp objects such as a knife to cut open packing as you may accidentally damage the product.

1. Main Parts



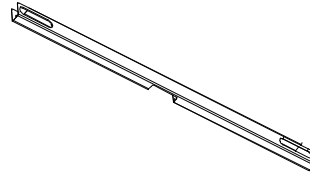
①x1

Lift Column (R)



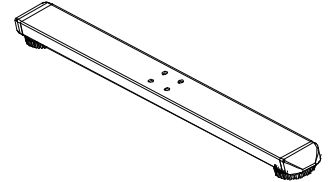
②x1

Lift Column (L)



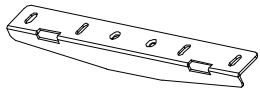
③x1

Center Rail



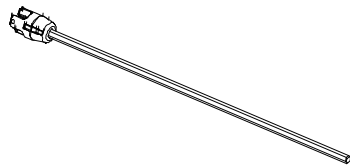
④x2

Base



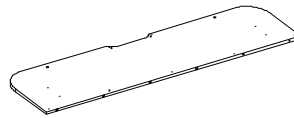
⑤x2

Side Bracket



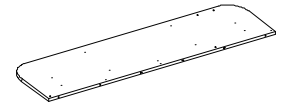
⑥x1

Crossbar



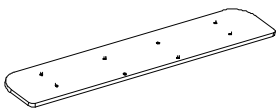
⑦x1

Desk Board



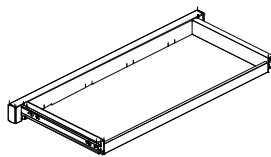
⑧x1

Desk Board



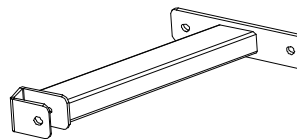
⑨x1

Top Board



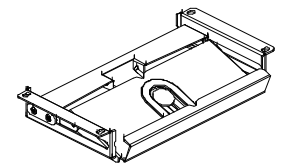
⑩x1

Drawer



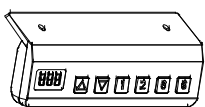
⑪x2

Support Brace



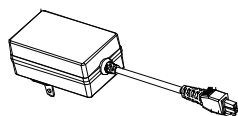
⑫x1

Book Stand



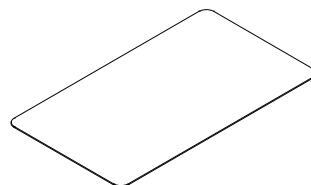
⑬x1

Hand Controller



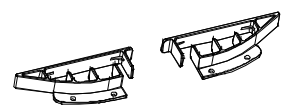
⑭x1

Power Adapter



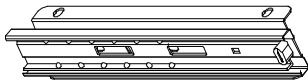
⑮x1

Mouse Pad



⑳x2

Threadholder



③①x1






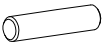

Drawer Slide















③②x1

Drawer Slide

2. Screws and Other Parts

Other Parts	Name	QTY
	①⑤ Screw M6x12	4PCS
	①⑥ Screw M6x30	10PCS
	①⑦ Screw M6x10	4PCS
	①⑧ Screw M4x8	1PC
	①⑨ Wrench 2mm	1PC
	②⑩ Wood Pin	6PCS
	②① Connector	5PCS

Other Parts	Name	QTY
	②② Screw M6x10	33PCS
	②③ Screw M4x12	2PCS
	②④ Screw M4x12	4PCS
	②⑥ Pothook	2PCS
	②⑦ Fixing Clip	2PCS
	②⑧ Wrench 4mm	1PC
	②⑨ Screwdriver	1PC

Spare Parts	Name	QTY
	①⑤ Screw M6x12	1PC
	①⑥ Screw M6x30	1PC
	①⑦ Screw M6x10	1PC
	②⑩ Wood Pin	2PCS
	②④ Screw M4x12	1PC

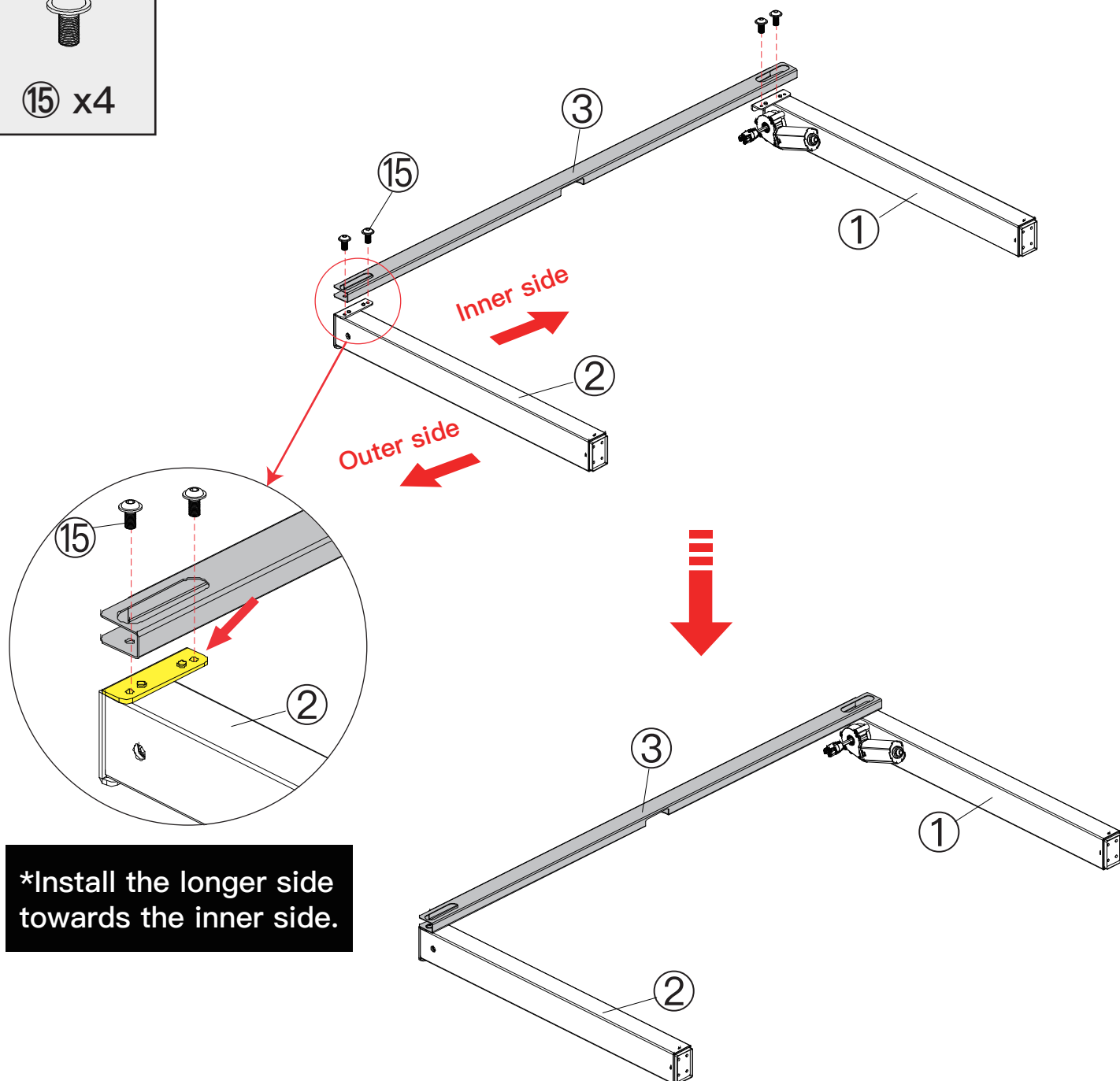
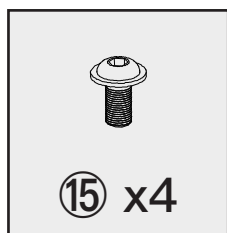
ASSEMBLY INSTRUCTIONS



CAUTION: At least two adults are required to safely assemble this item. Other lifting attempts may risk back safety due to large and heavy part(s).

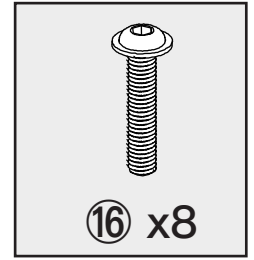
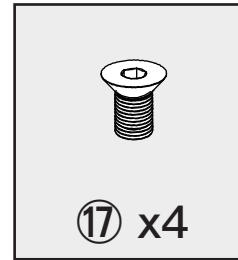
01

Install the center rail ③ on the lift columns ① and ② with ⑮.

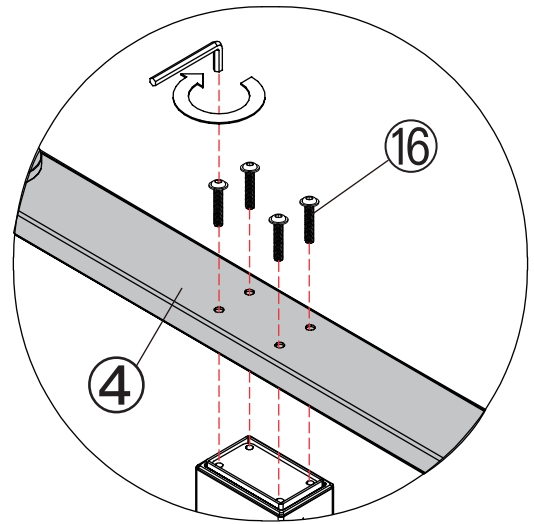
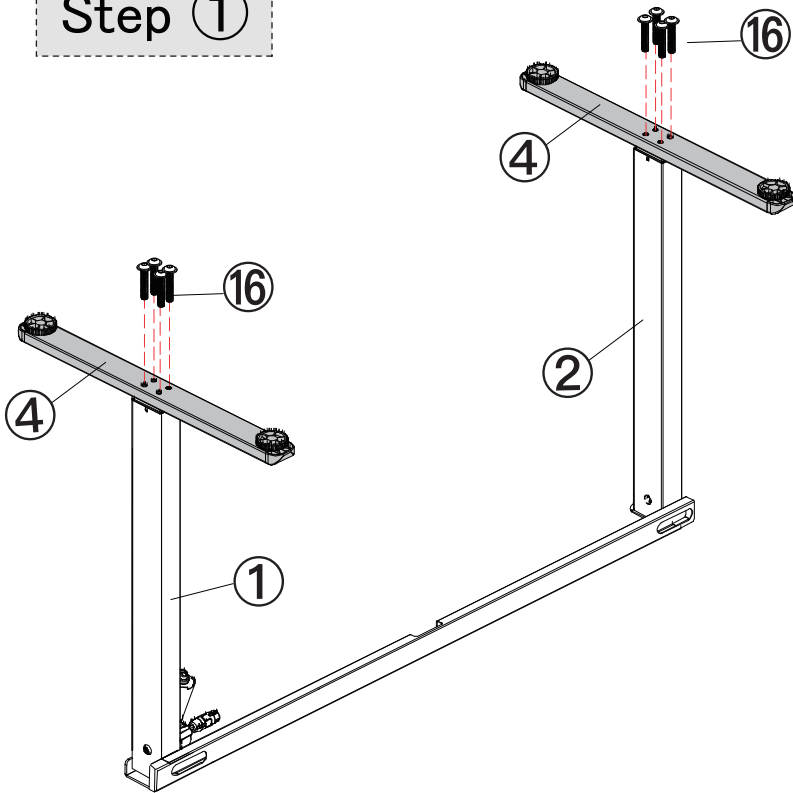


02

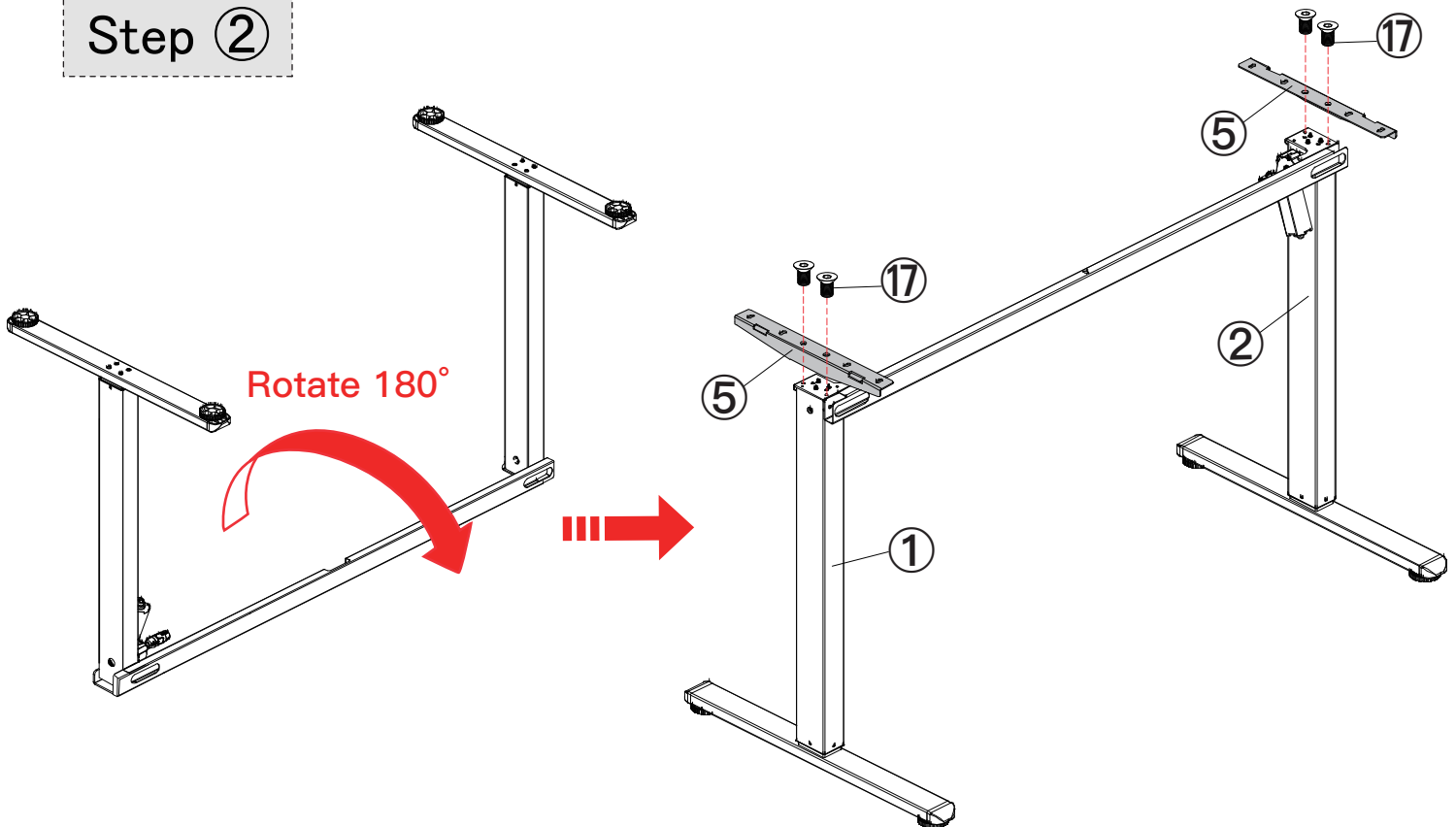
Install the base ④ and the side brackets ⑤.



Step ①

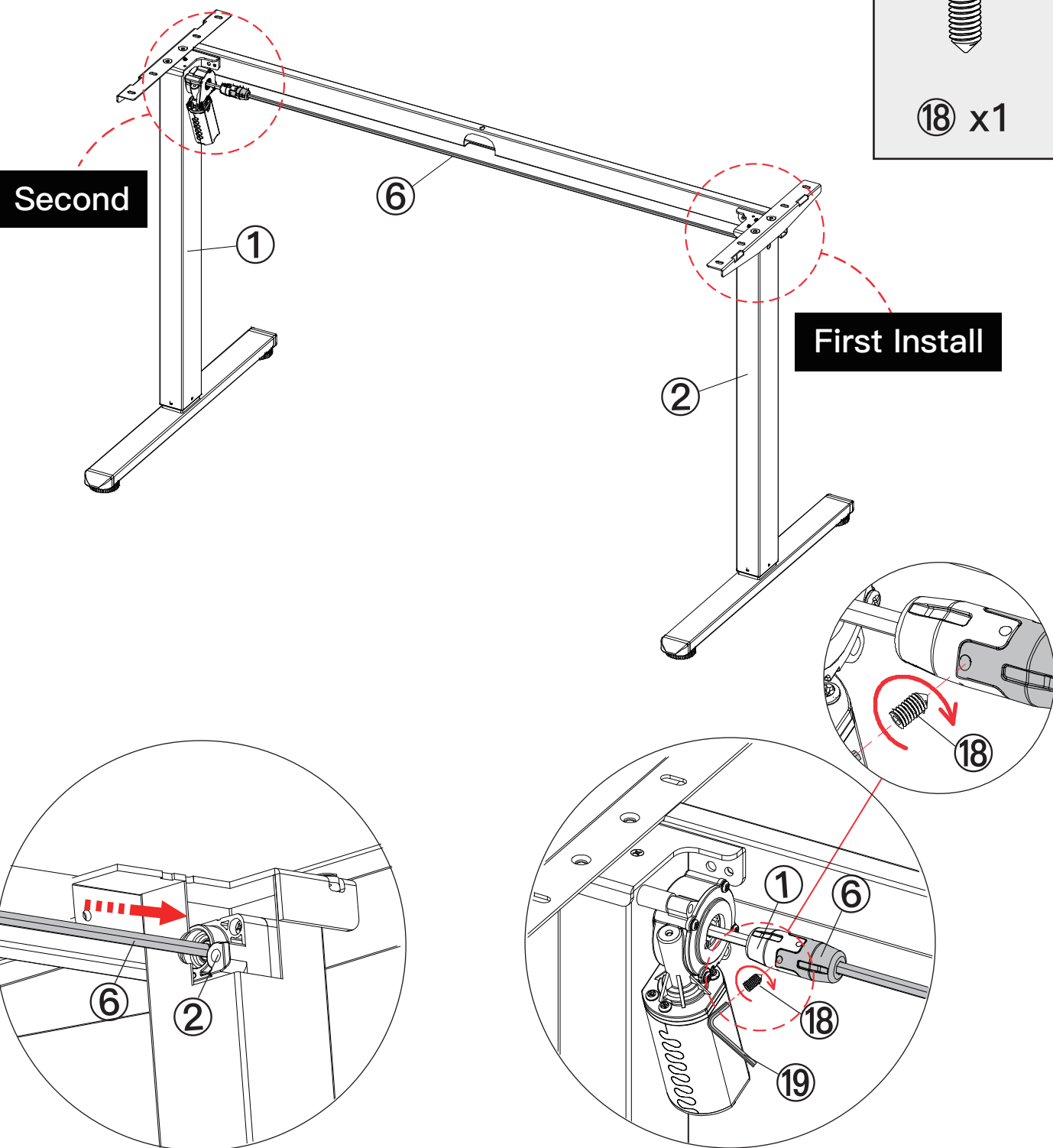


Step ②



03

Insert the crossbar ⑥ into the lift column and lock them with ⑱.



Second

First Install

①: Insert the crossbar ⑥ into the lift column ②.

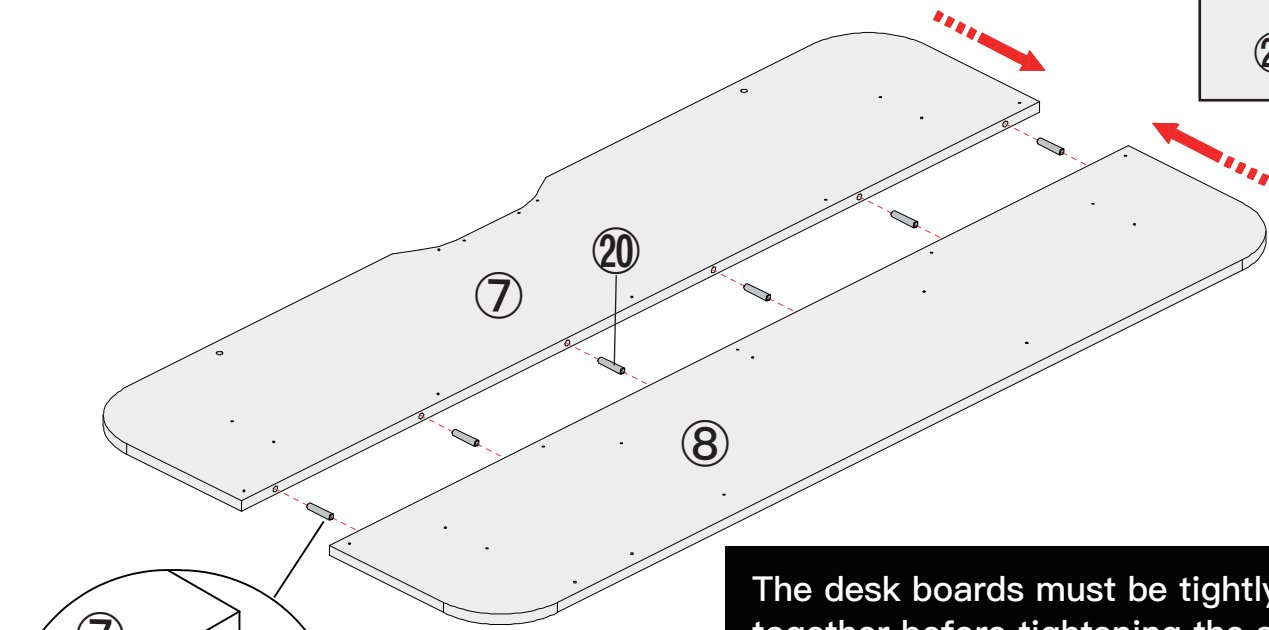
②: Insert the crossbar ⑥ into the lift column ①.

04

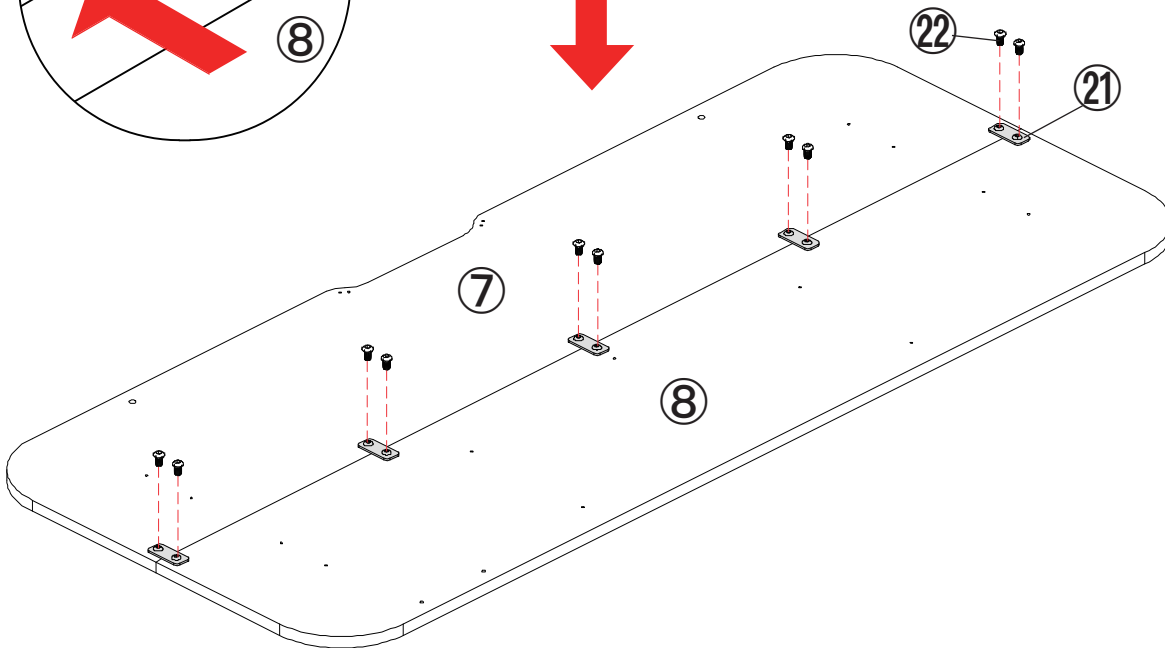
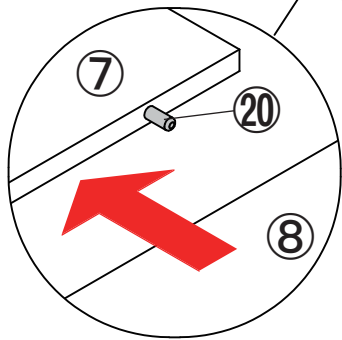
Install the desk boards ⑦ and ⑧.



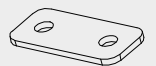
②0 x6



The desk boards must be tightly pressed together before tightening the screws to prevent significant gaps in the desktop.

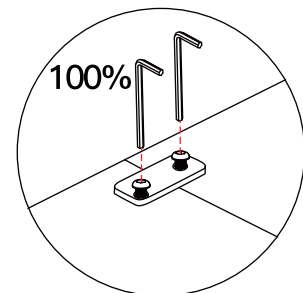
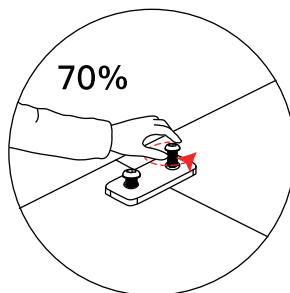
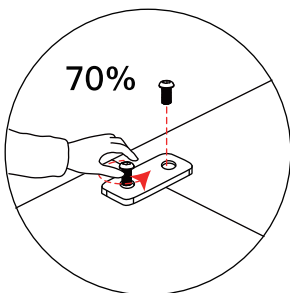


②2X10



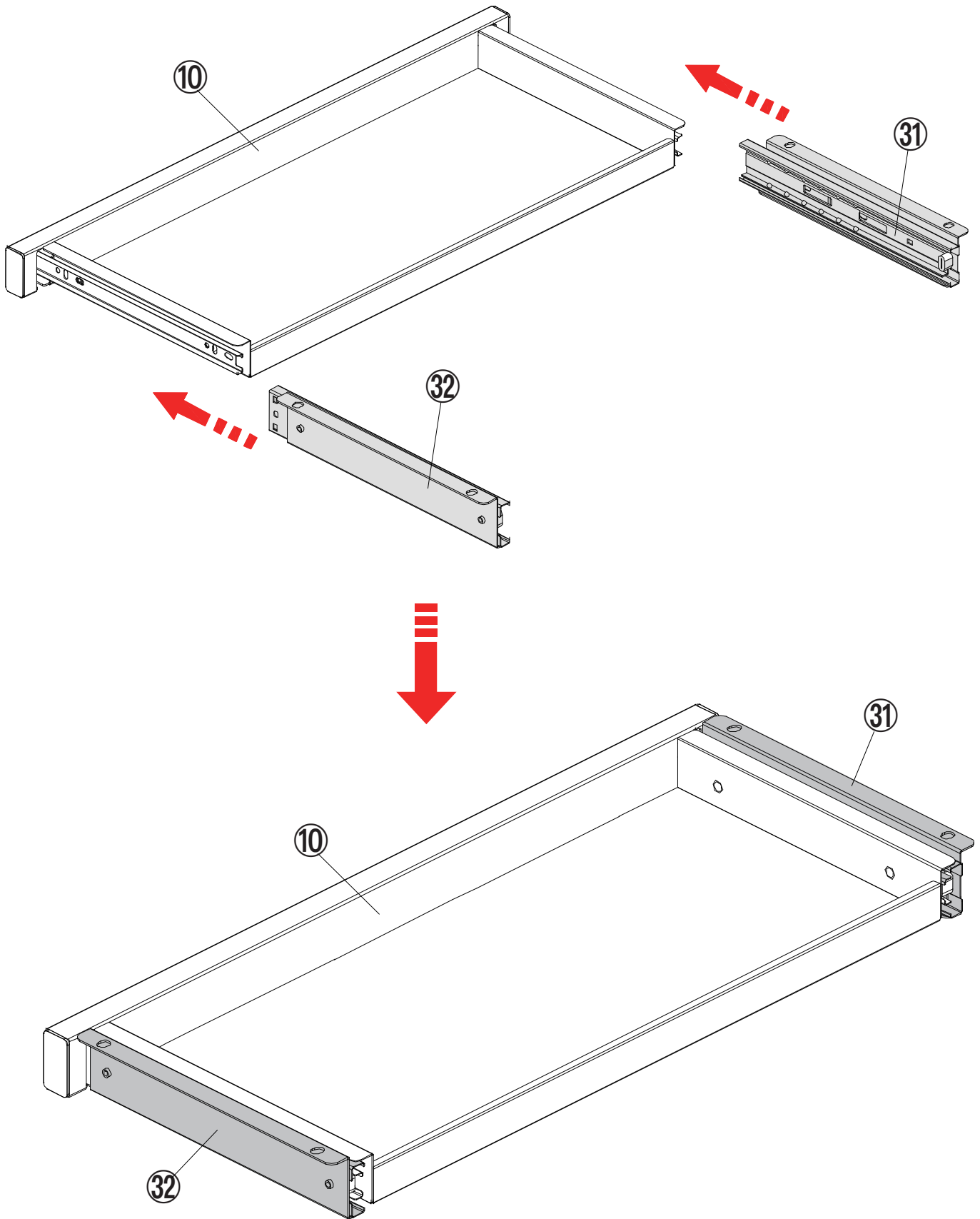
②1X5

Tighten the screws by hand to 70%, then use the wrench to tighten them to 100%.



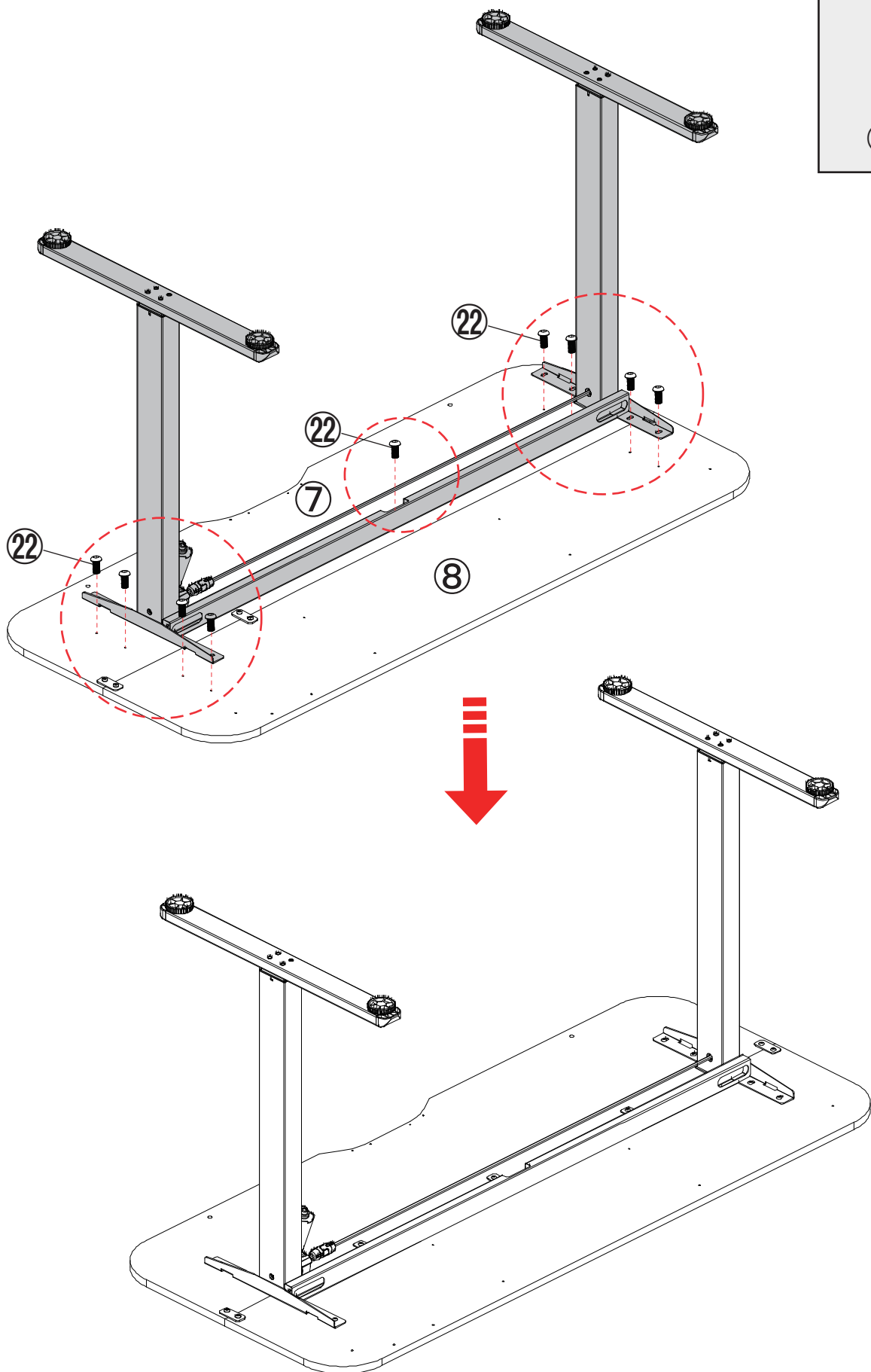
05

Install the drawer slides on the drawer side panels.



06

Install the side brackets on the desk boards with 22.

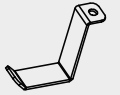


07

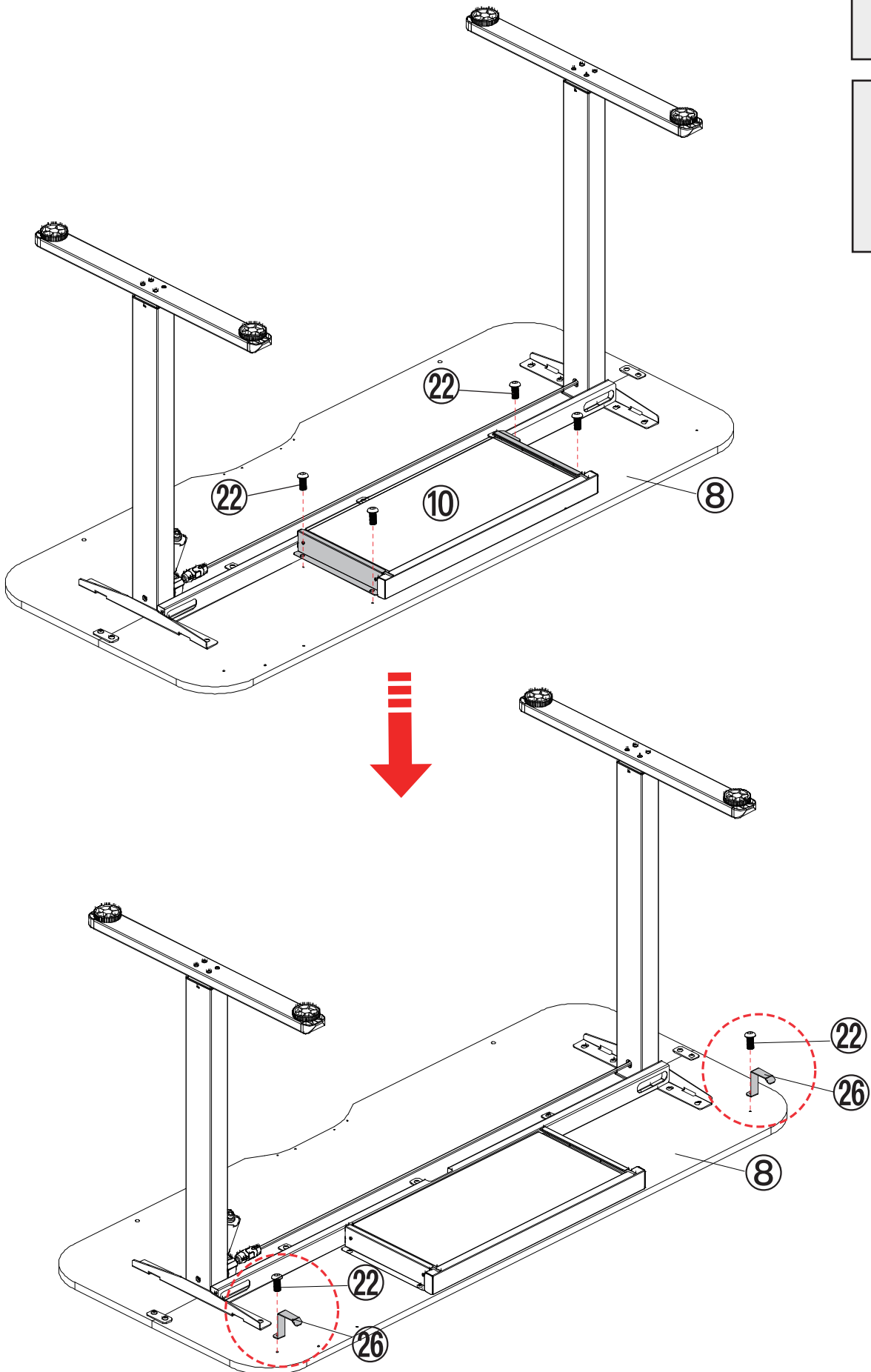
Install drawer ⑩ and pothook ②⑥ on the desk boards with ②②.



②②X6

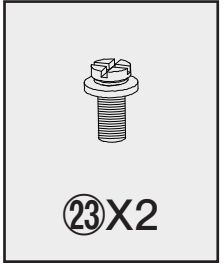
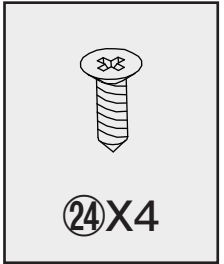
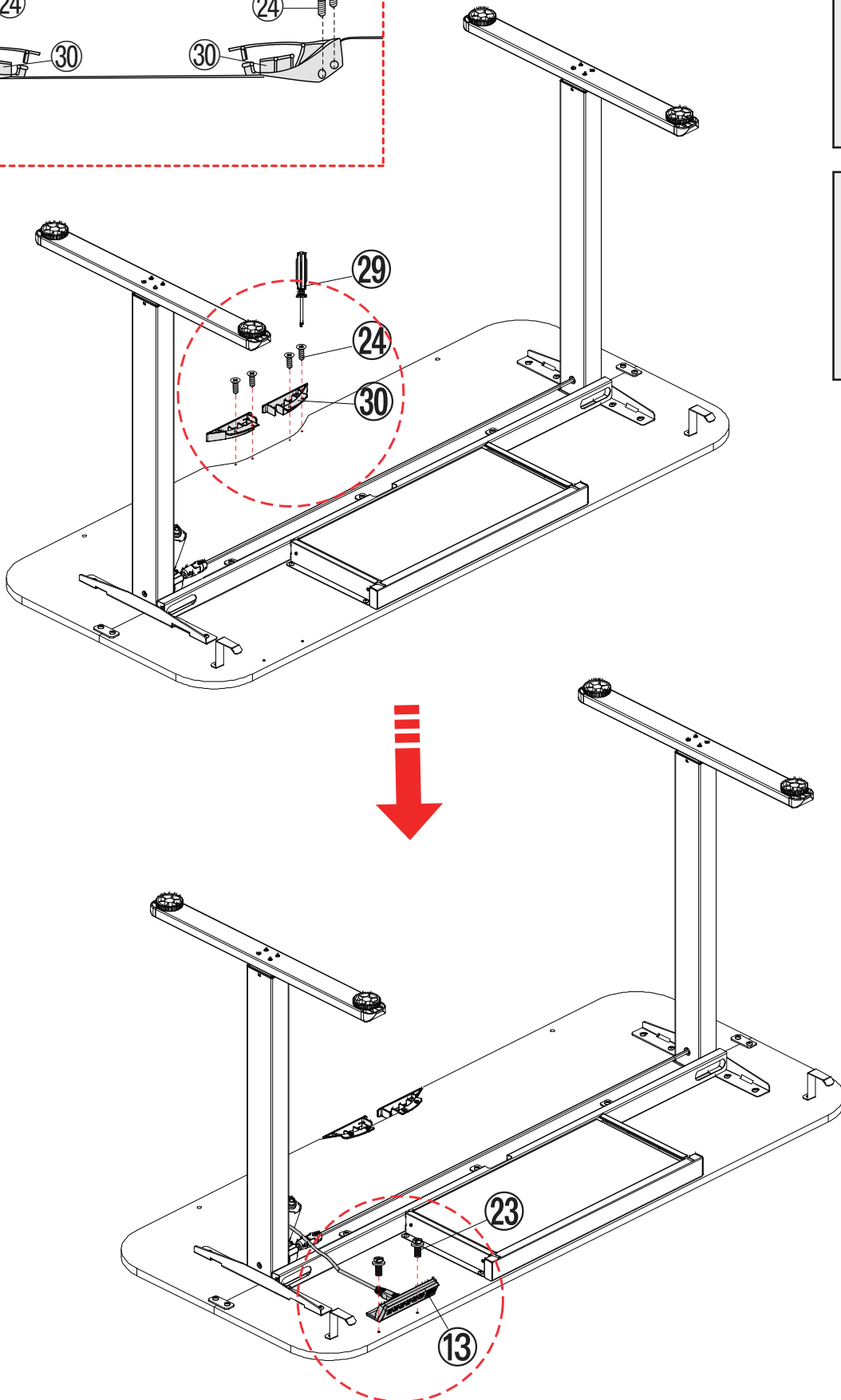
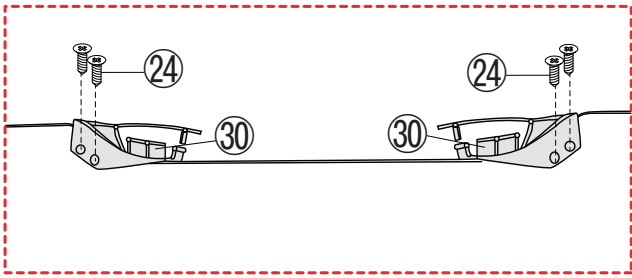


②⑥X2



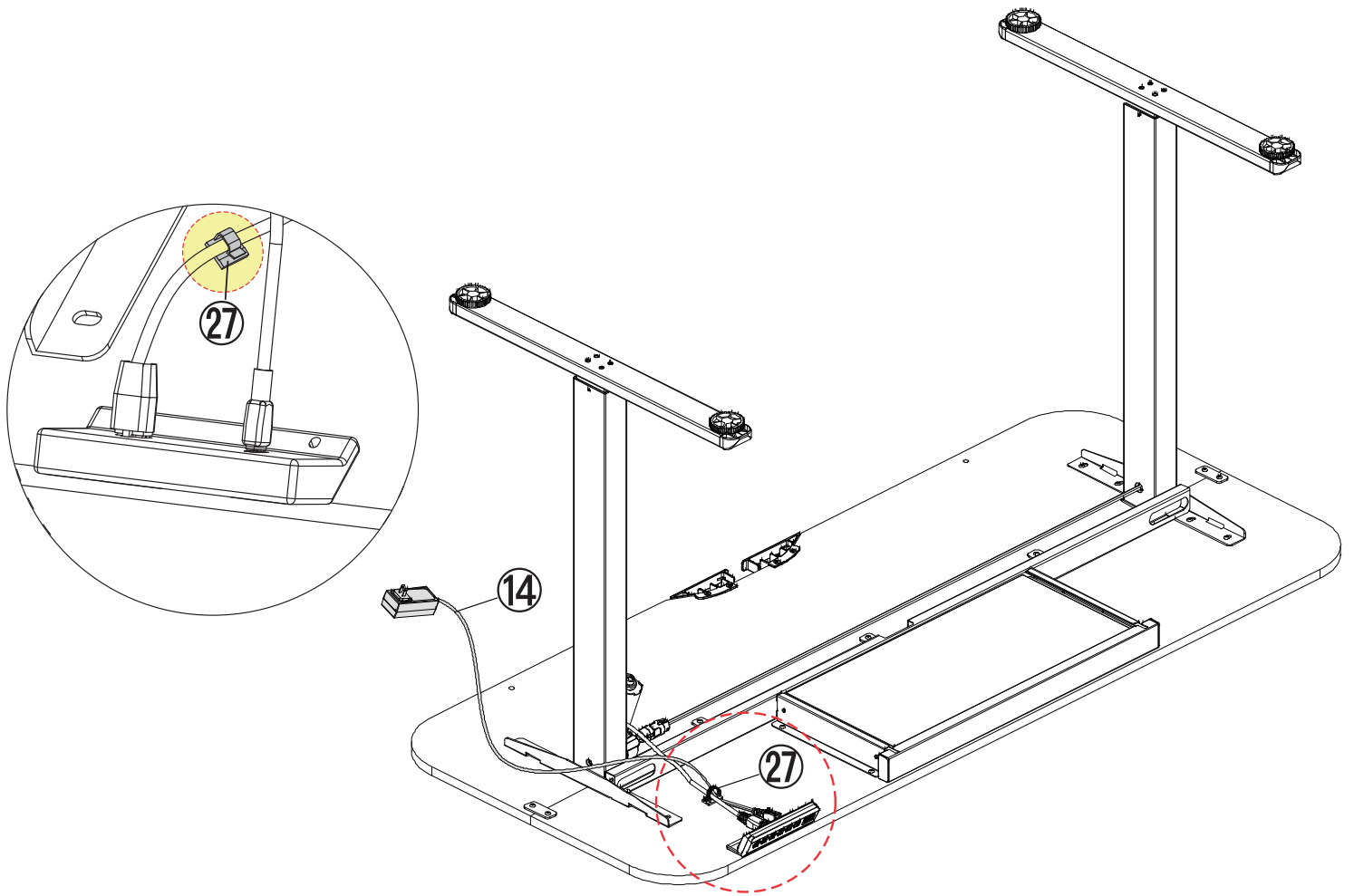
08

Install the threaders ③① hand controller ①③ on the desk board.

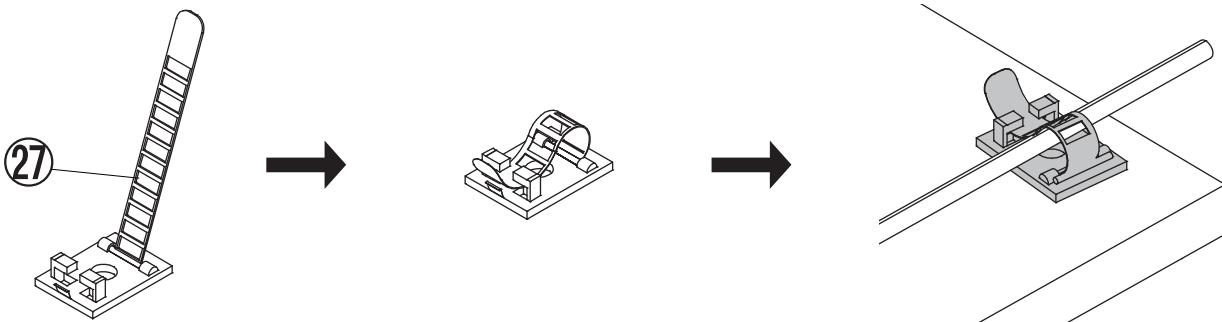


09

Connect the cables and power adpter ⑭.

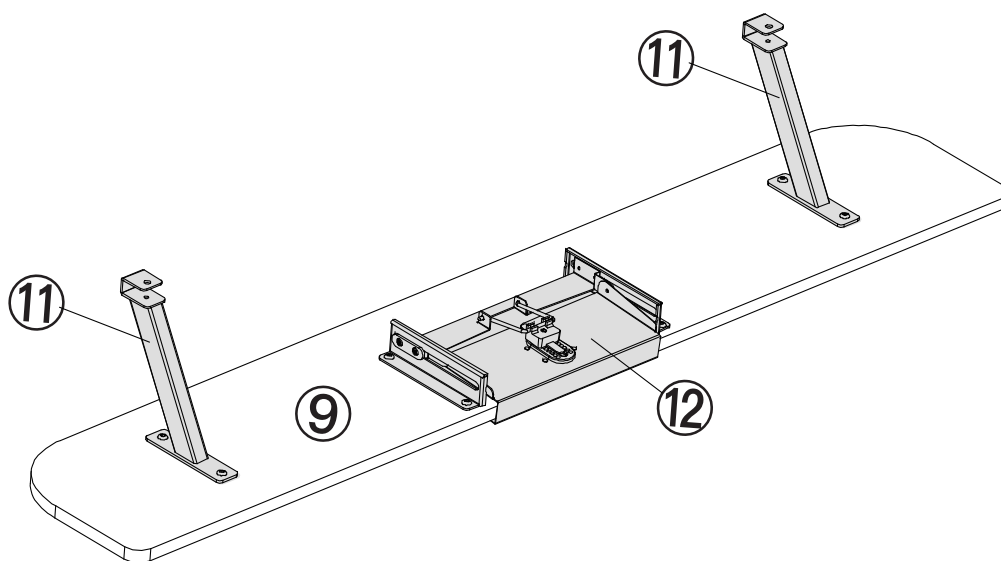
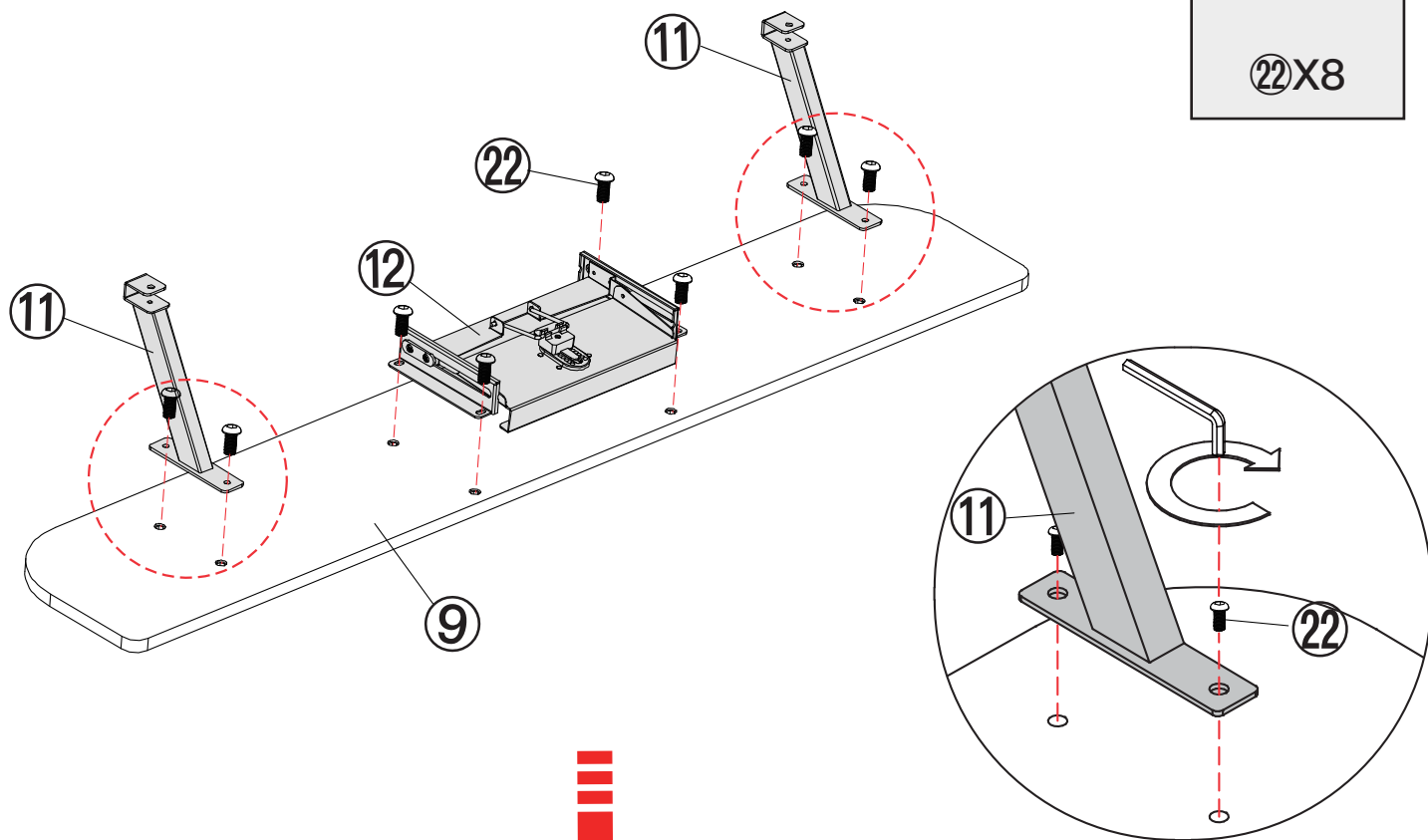
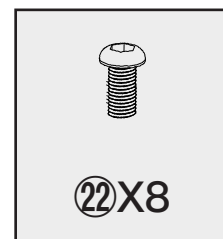


How to use Fixing Clip ⑳.



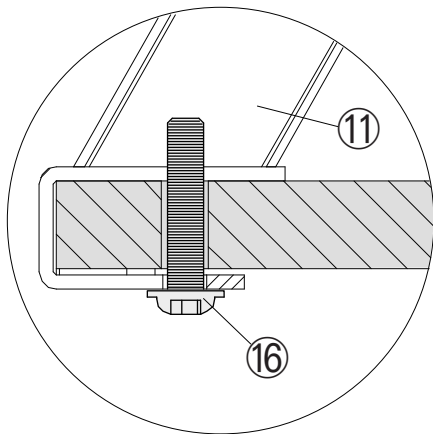
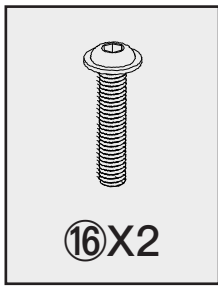
10

Install the support braces ⑪ and book stand ⑫ on the top board ⑨.

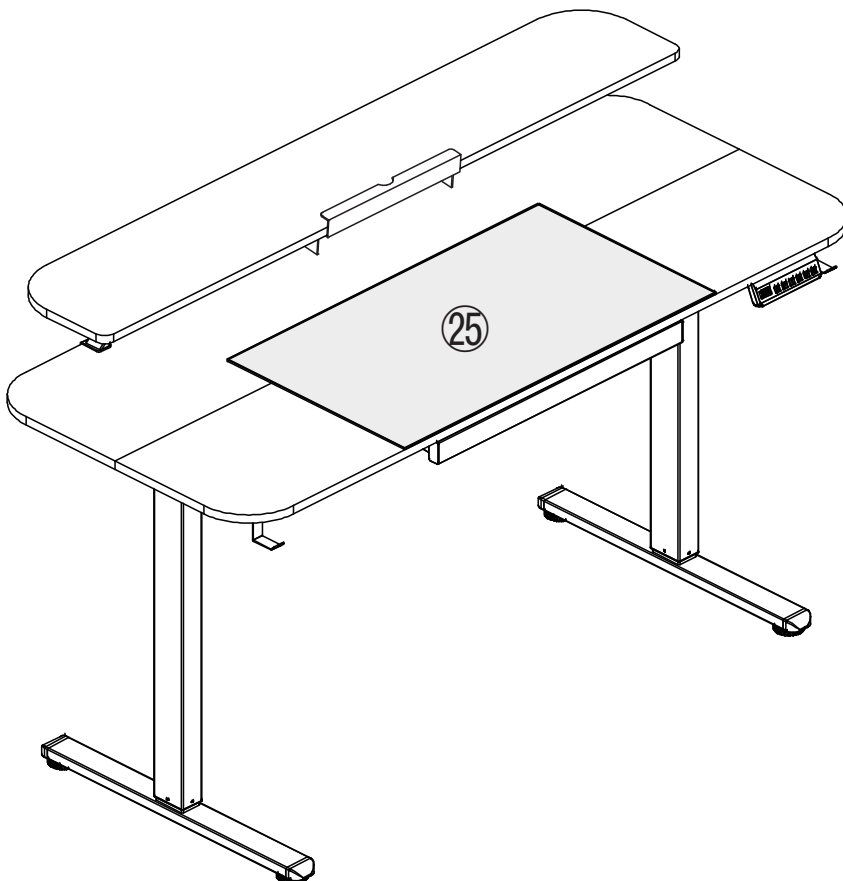
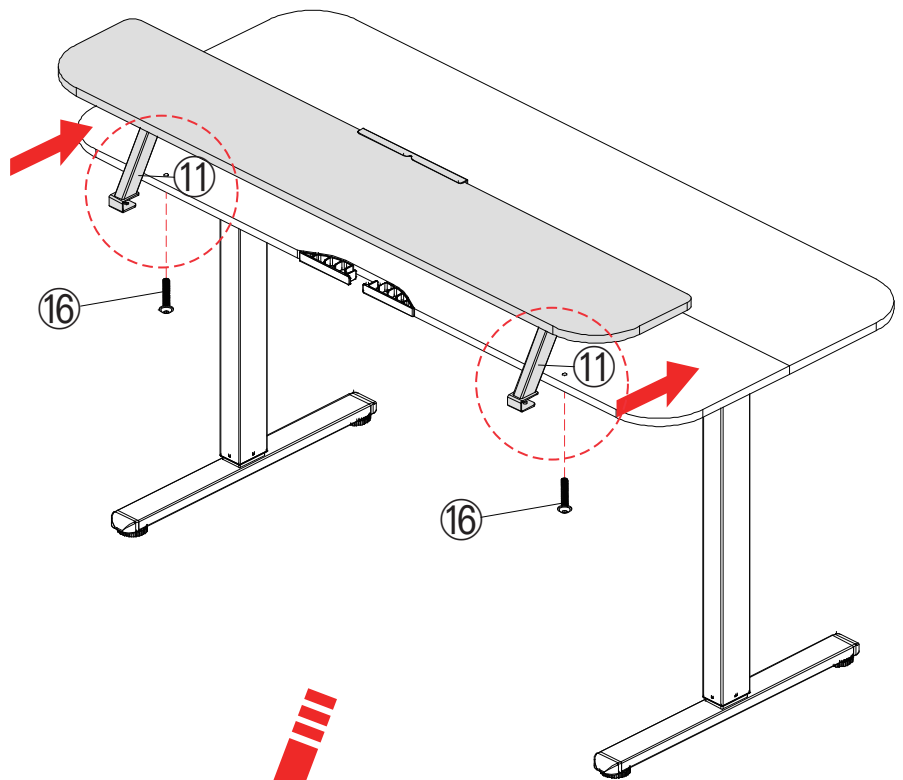


11

Attach the support braces to the desk and then put on the mouse pad ②5. Complete.



Tighten to 100%

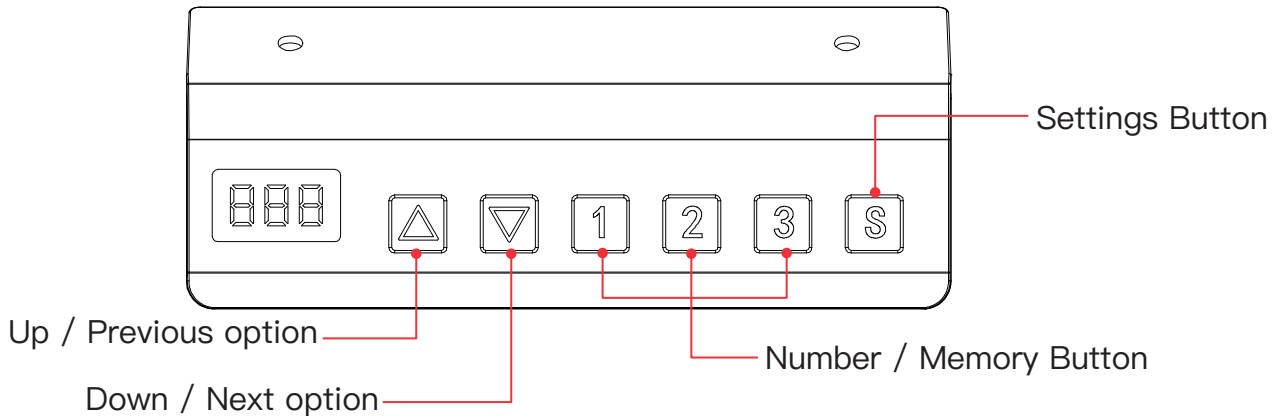


NOTE:

Before first using or repowering the desk, please reset to ensure that both lift columns are at the same height, as they may have slight variations. (See P17 “6. Reset” step for operation.)

FUNCTIONS

A. Hand Controller



B. Operating Instruction

1 Up or Down Operation

Press button “**▲**” or “**▼**” to raise the desk continuously until it reaches the highest or lowest position. Release the button at the desired height.

2 Set Memory Height

Short-press the “**S**” button, and the display will flash, Press the 1、 2、 or 3 button to save the current height setting to that button.

3 Call Memory Height

Press the button “**1**”、 “**2**” or “**3**” to adjust to the corresponding memory height. Press any button to stop the operation.

C. Settings

4 Change Display Height Units

Press and hold the “**S**” button until a flashing “**S--**” is displayed. Press “**S**” again, and “**un**” is displayed. Press “**S**” to select it, press “**▲**” or “**▼**” to switch between “**IN**” (imperial) and “**SI**” (metric), and press “**S**” to save your choice.

5 Change Collision Detection Sensitivity

Press and hold the “S” button until a flashing “S--” is displayed. Press “S” again, and “un” is displayed. Press “▲” or “▼” to switch to “CF” and press to select it, Press “▲” or “▼” to switch between off, low (L), normal (N), and high (H) sensitivity. Press “S” to save your choice.

6 Reset

Desktop running to the lowest level, Press and hold the “▼” button for 5 seconds, and the screen will show “RES”. Continue holding until the desk goes down to its lowest level and comes back up slightly.

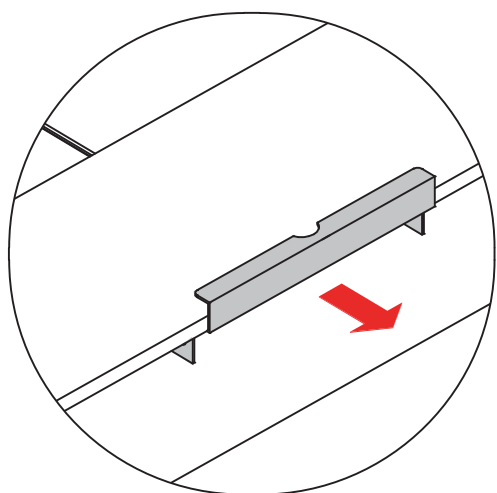
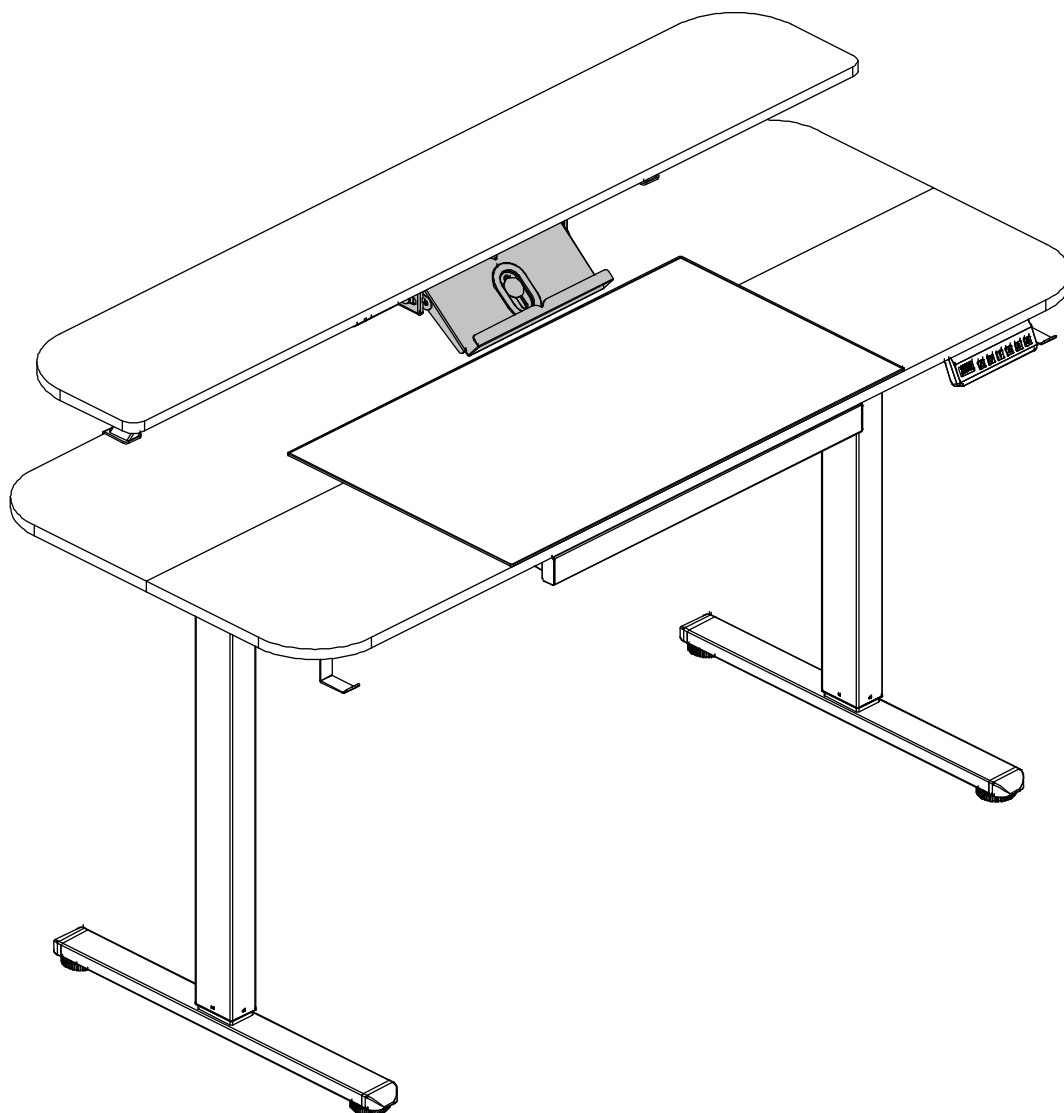


NOTE: Before first using or repowering the desk, please reset to ensure that both lift columns are at the same height, as they may have slight variations.

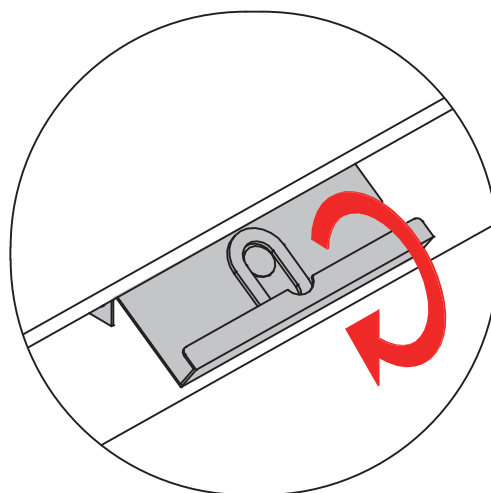
7 Protection Mode Error Codes

Error Code	Illustrate	Solution
Hot	Overheating Protection	Wait for the power adapter temperature to cool down, or let the system reset for 18 minutes to restart.
E10	Motor abnormal protection	Disconnect the power adapter, check or replace the motor connecting cables.
E20	Overload protection	Reduce the load
E02	Operation Status abnormal	Reset
E32	Over-voltage protection	Check or replace the power supply adapter
E31	Under-voltage protection	Check or replace the power supply adapter

D. Book Stand Usage



1. Pull out the book stand.



2. Rotate to the desired position.

Dear Customer,

Thank you for choosing us.

For safe use, please read this manual before installation, and keep it for after use. Please feel free to email us if you have any concerns about our products. We'll reply within 24 hours.

The following are the things you need to pay attention to so that we can provide you with services when you encounter problems during the installation and use of the product:

- When the product is damaged due to courier problems, please contact our customer service in time for verification.
- We will rectify the issue as soon as possible;
- We give 1 year quality assurance.

We offer product explanations, installation instructions, product maintenance and maintenance methods.

If you feel satisfied with our product and service,

- Please set our store as your favorites;
- Please recommend our products to your friends;
- Please and leave us your purchase experience in our store or product page.

Feedback or reviews from you will greatly help us offer better services to players around the world.

Best regards!

Avoid using sharp objects such as a knife to cut open packing as you may accidentally damage the product.



If you have any questions about the product, please contact us through the contact information on the left. We will strive to resolve your problem within 24 hours on business days.
