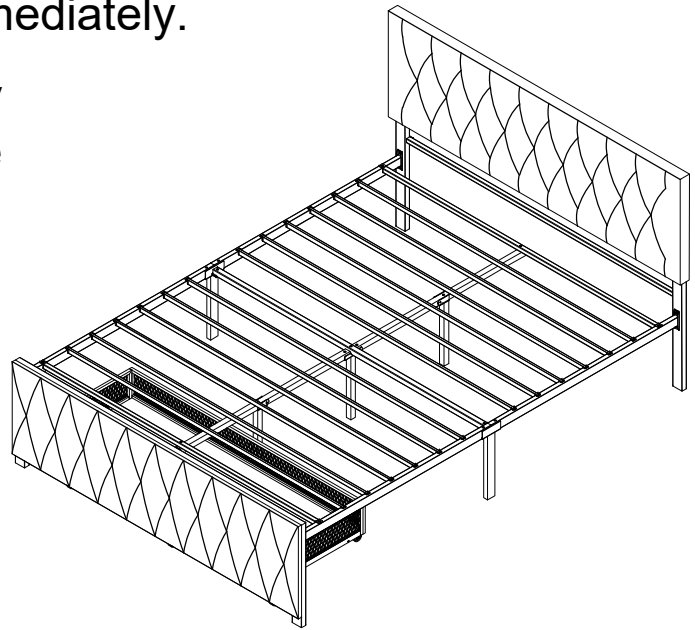


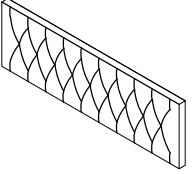
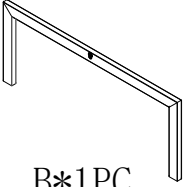
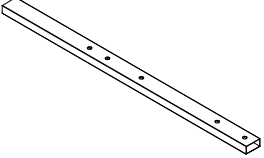
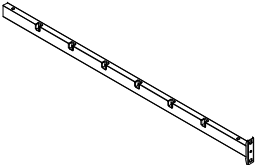
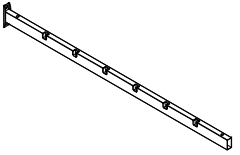
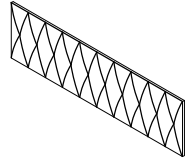
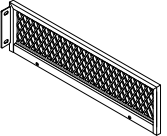
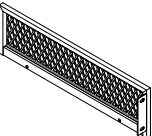
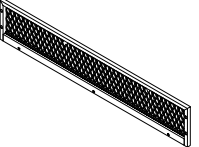
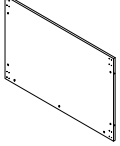
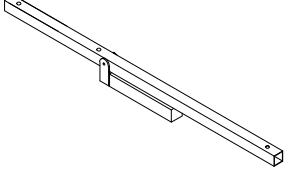
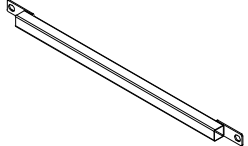
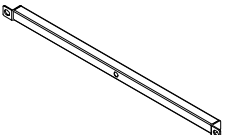
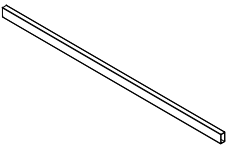
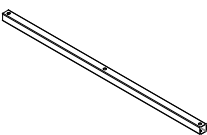
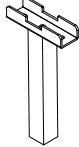
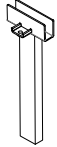

Assembly Instruction

Please check that you have all the parts listed before you start assembling, if you do find that something is missing, do not continue assembly, please contact us immediately.













NOTE: Please do not completely tighten all the hardware until the entire assembly is complete!



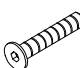


Part list

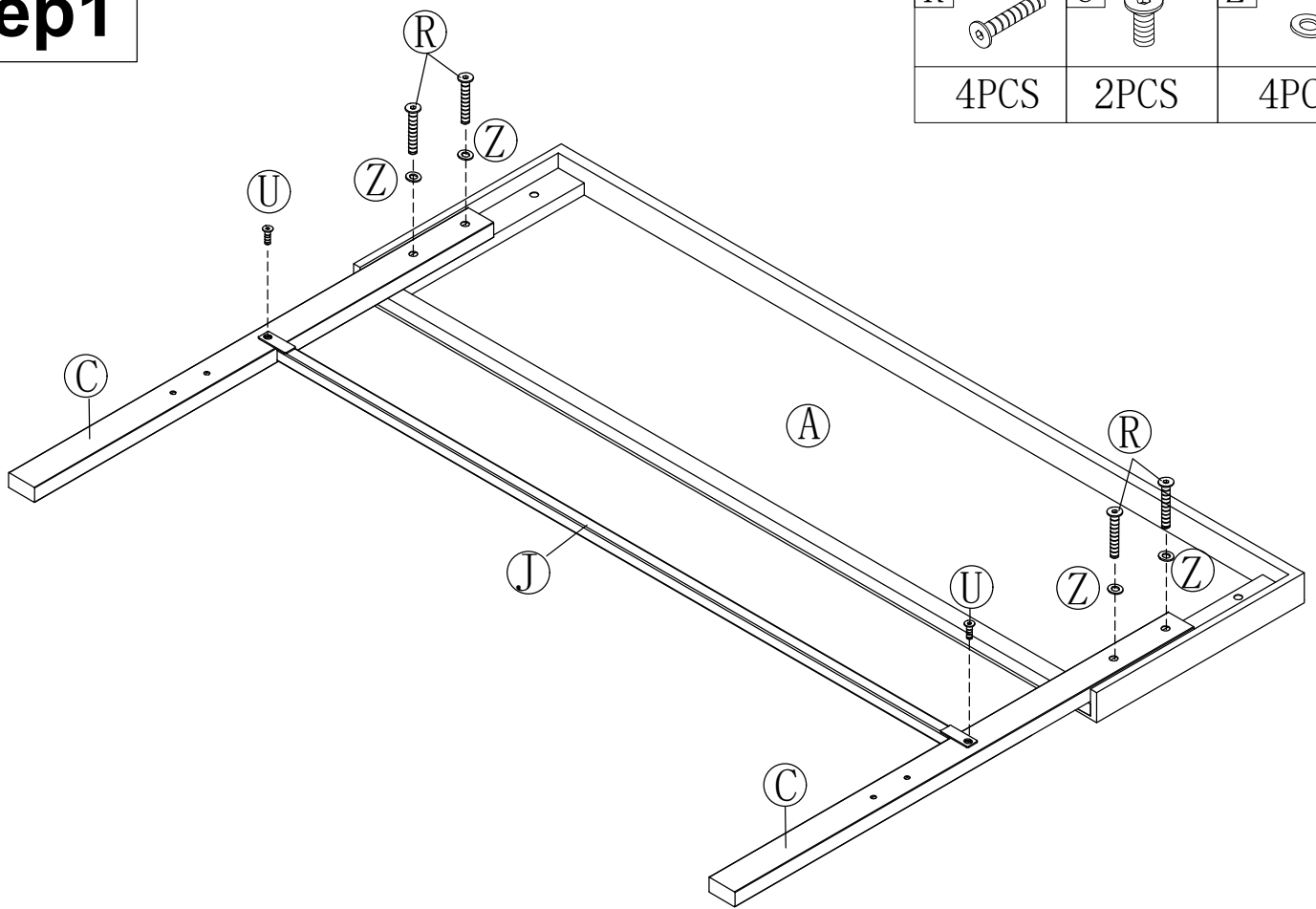
 A*1PC	 B*1PC	 C*2PCS	 D1*2PCS	
 D2*2PCS	 E*1PC	 F1*1PC	 F2*1PC	 G*1PC
 H*1PC	 I*2PCS	 J*1PC	 K*2PCS	
 L*12PCS	 M*1PC	 N*1PC	 O*2PCS	 P*6PCS

Hardware list

 Q*8PCS	 M8*50mm R*11PCS	 M8*40mm S*6PCS	 M8*30mm T*4PCS	 M8*18mm U*14PCS	 1/4\"*20mm V*4PCS
 M5*40 W*8PCS	 M4*10 X*24PCS	 M8*15 Y*1PC	 Ø22*2 Z*5PCS	 M8 Spanner	 M6 Spanner

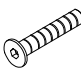
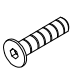
step1

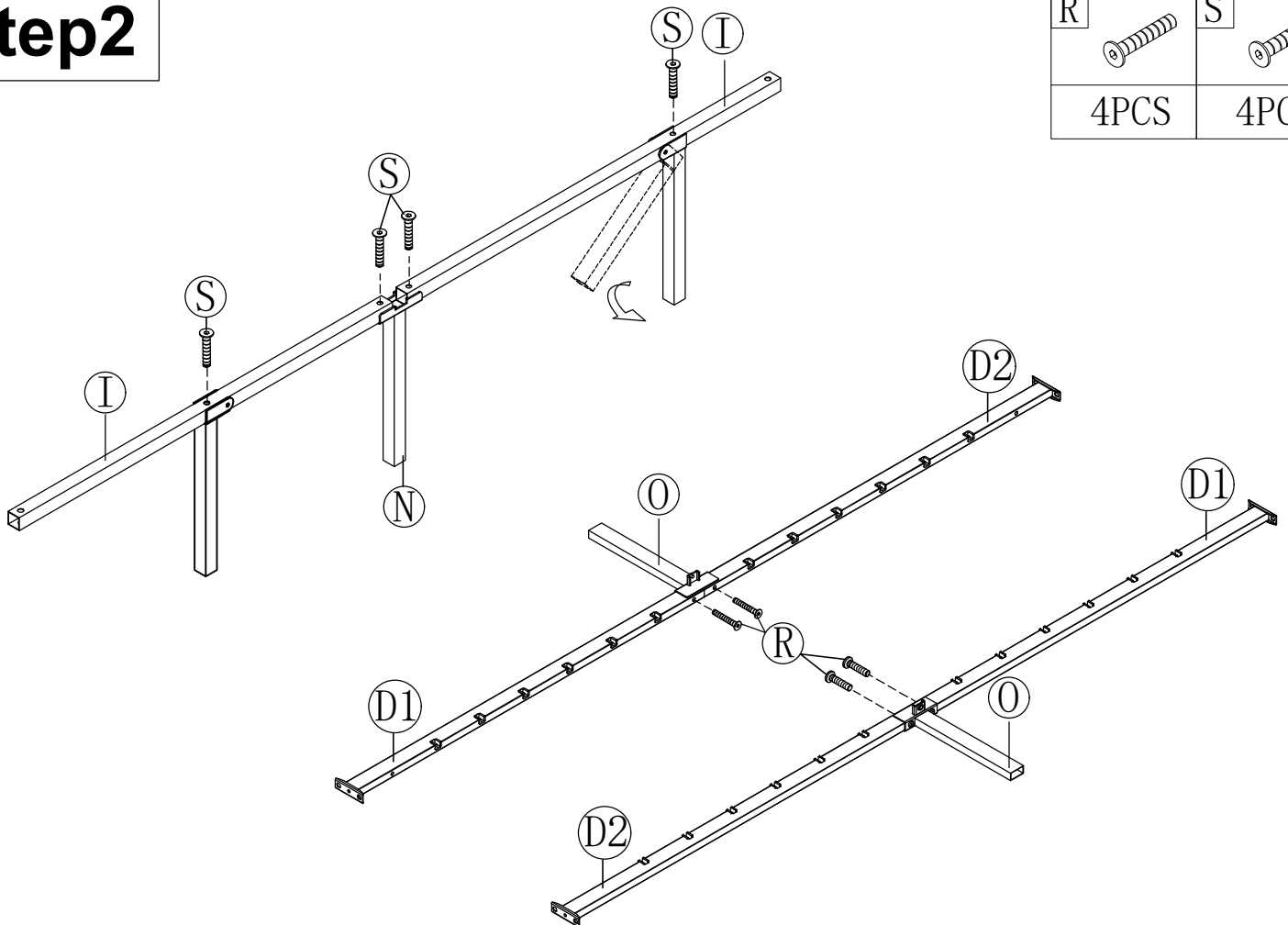
R		U		Z	
	4PCS		2PCS		4PCS



Headboard height is adjustable

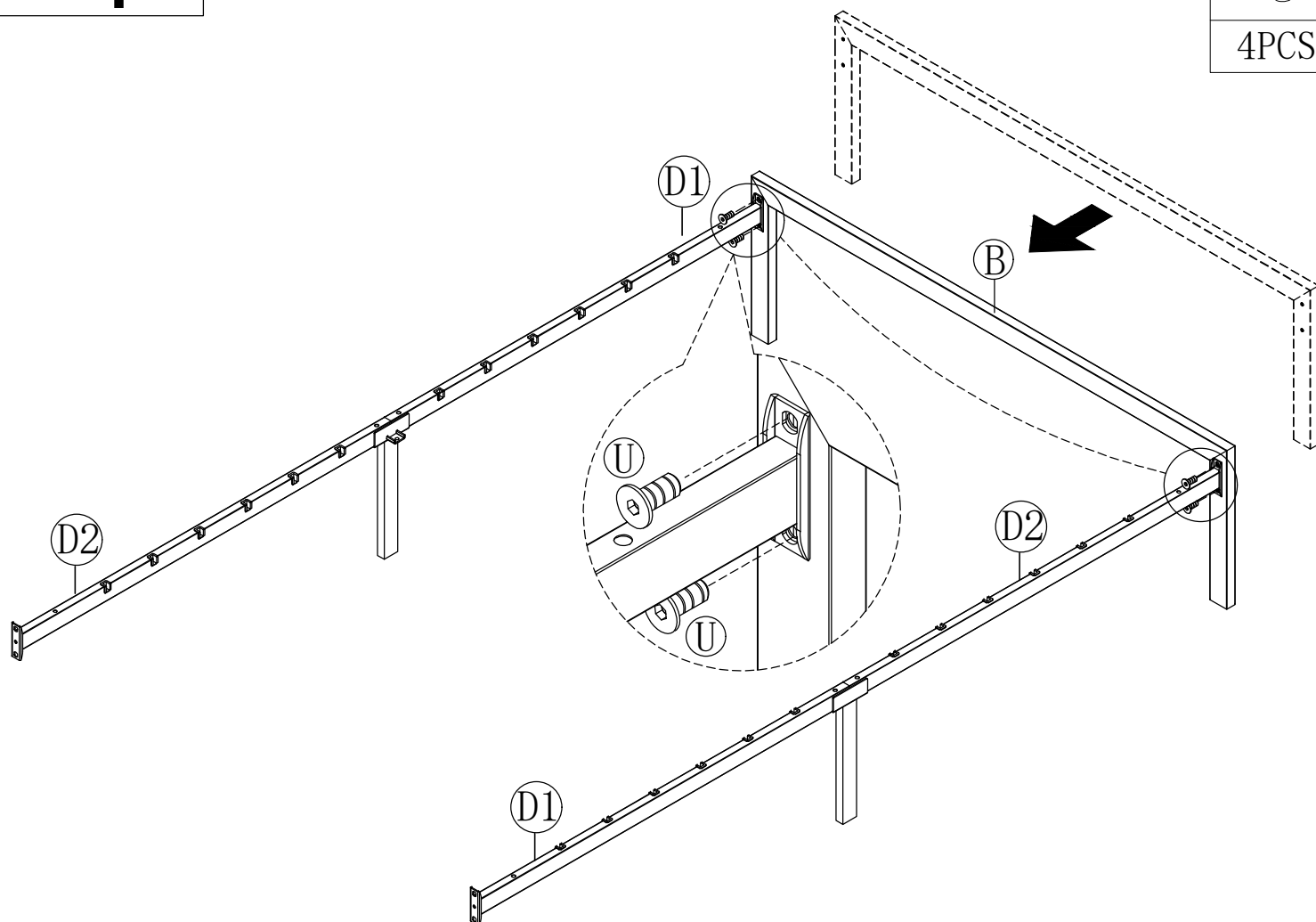
step2

R		S	
	4PCS		4PCS



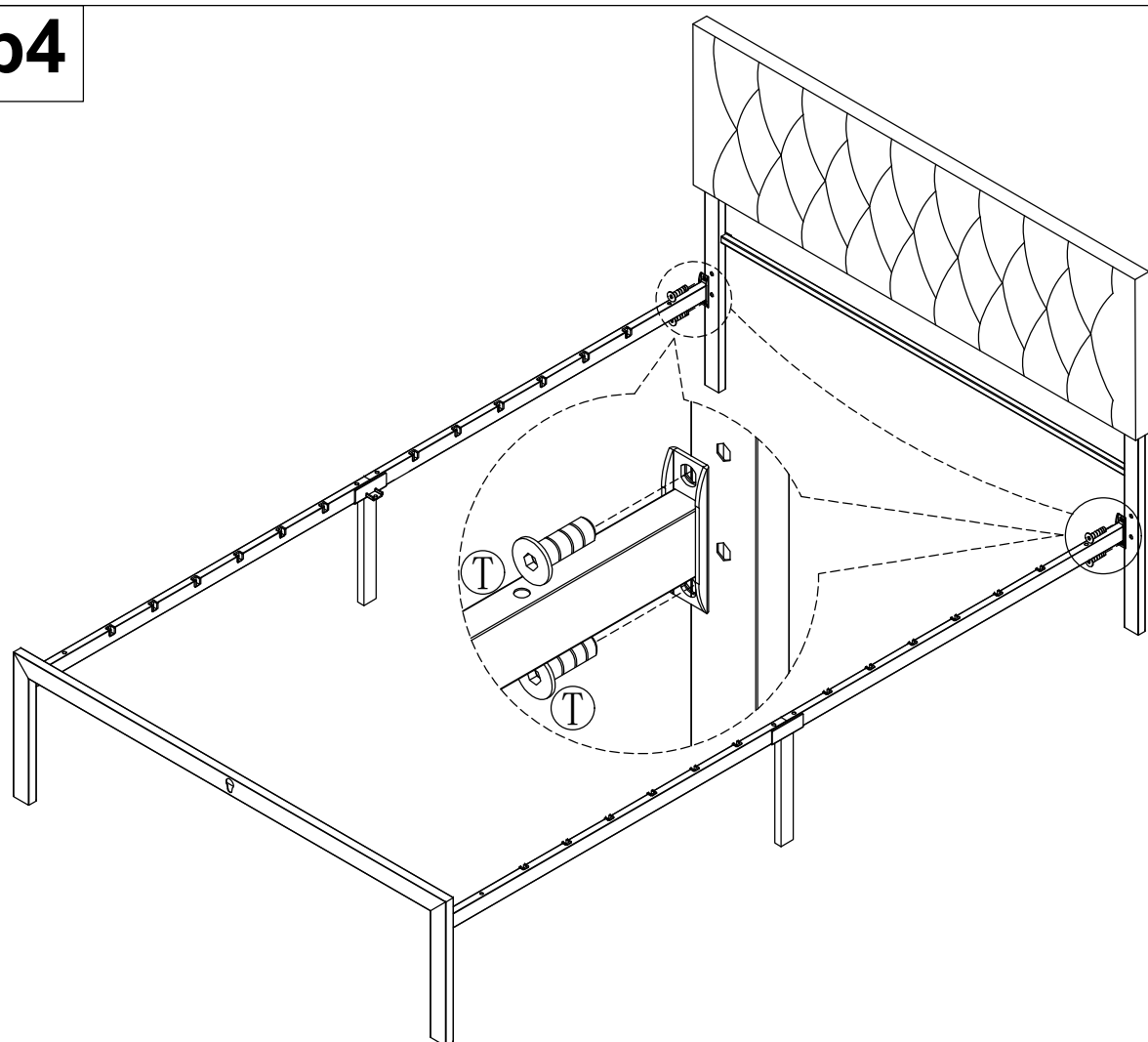
step3

U
4PCS

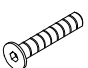
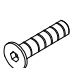
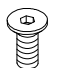


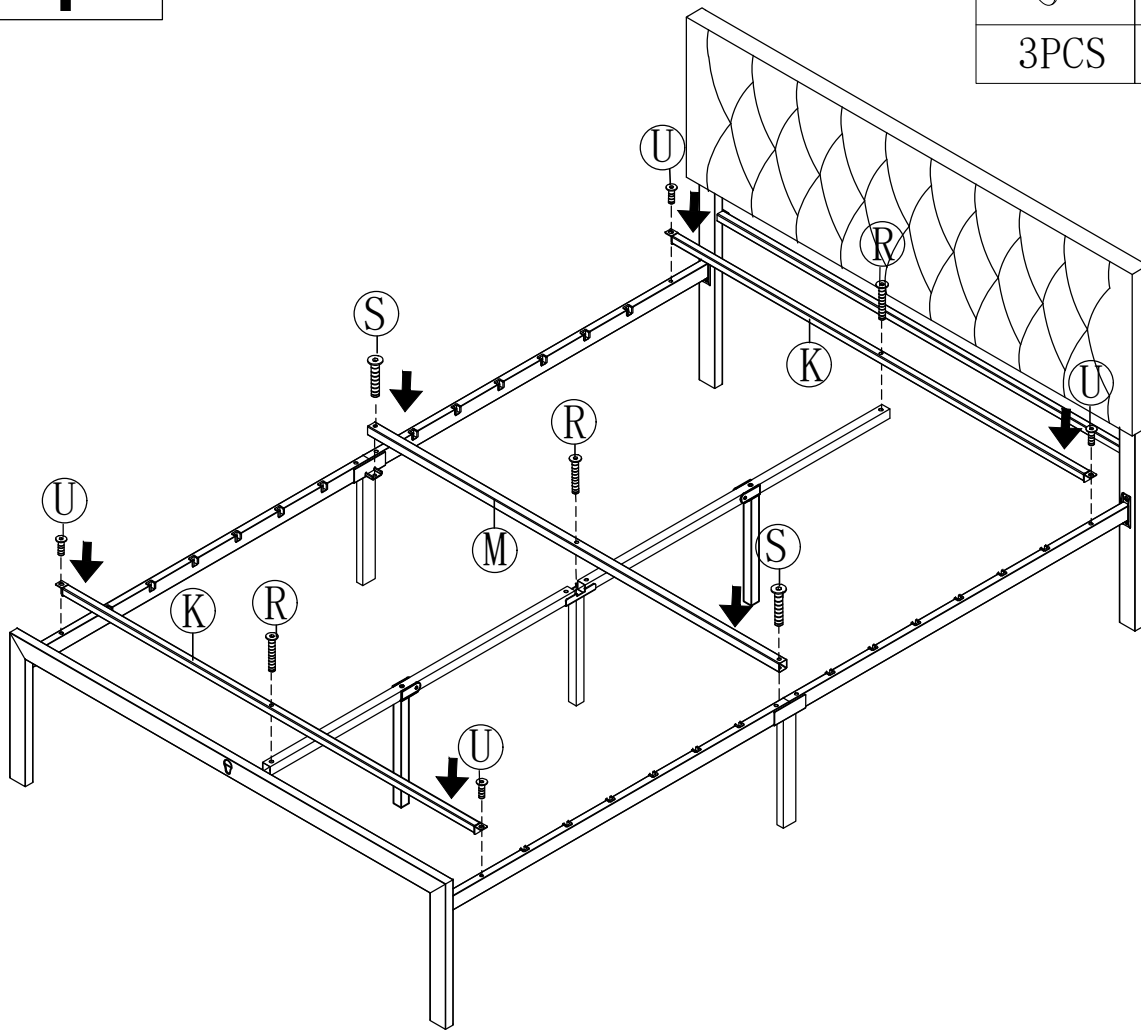
step4

T
4PCS

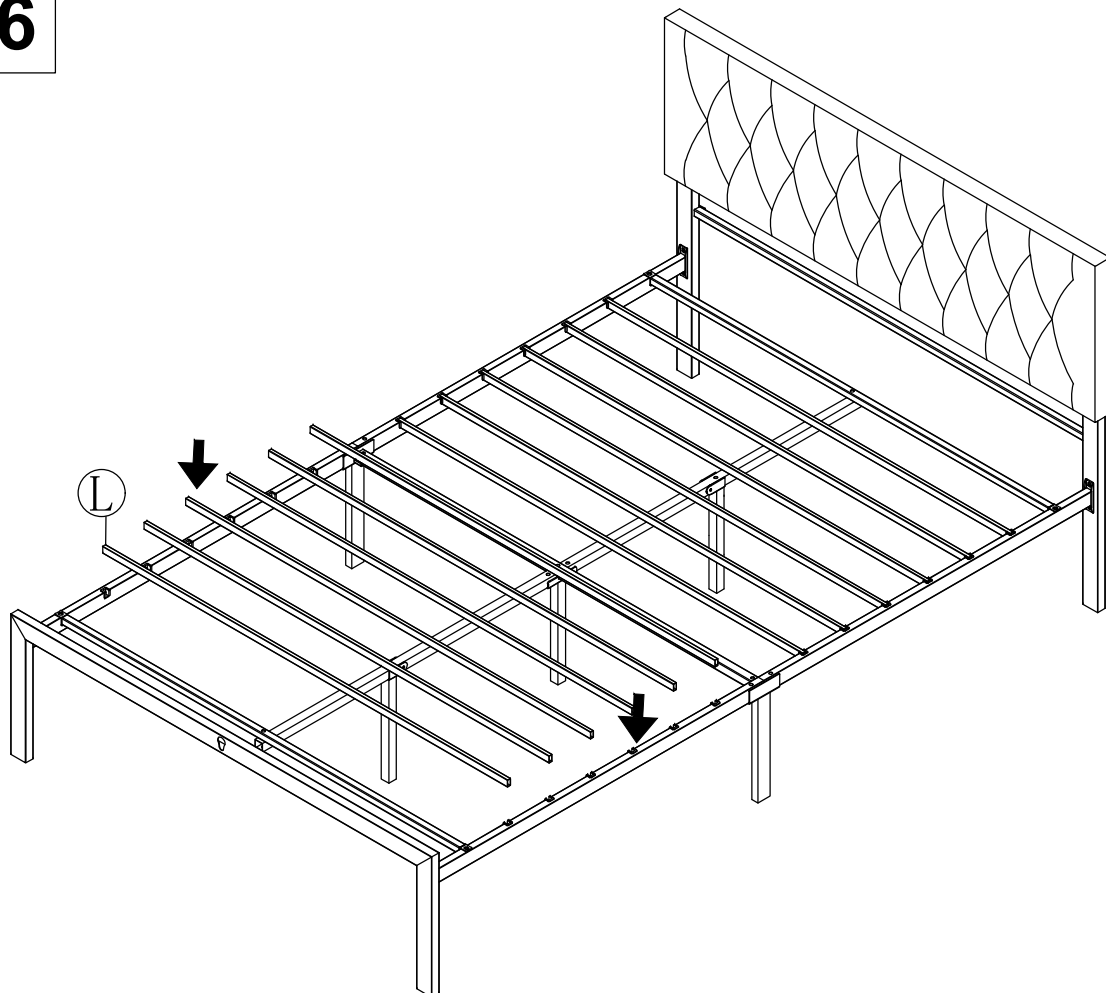


step5

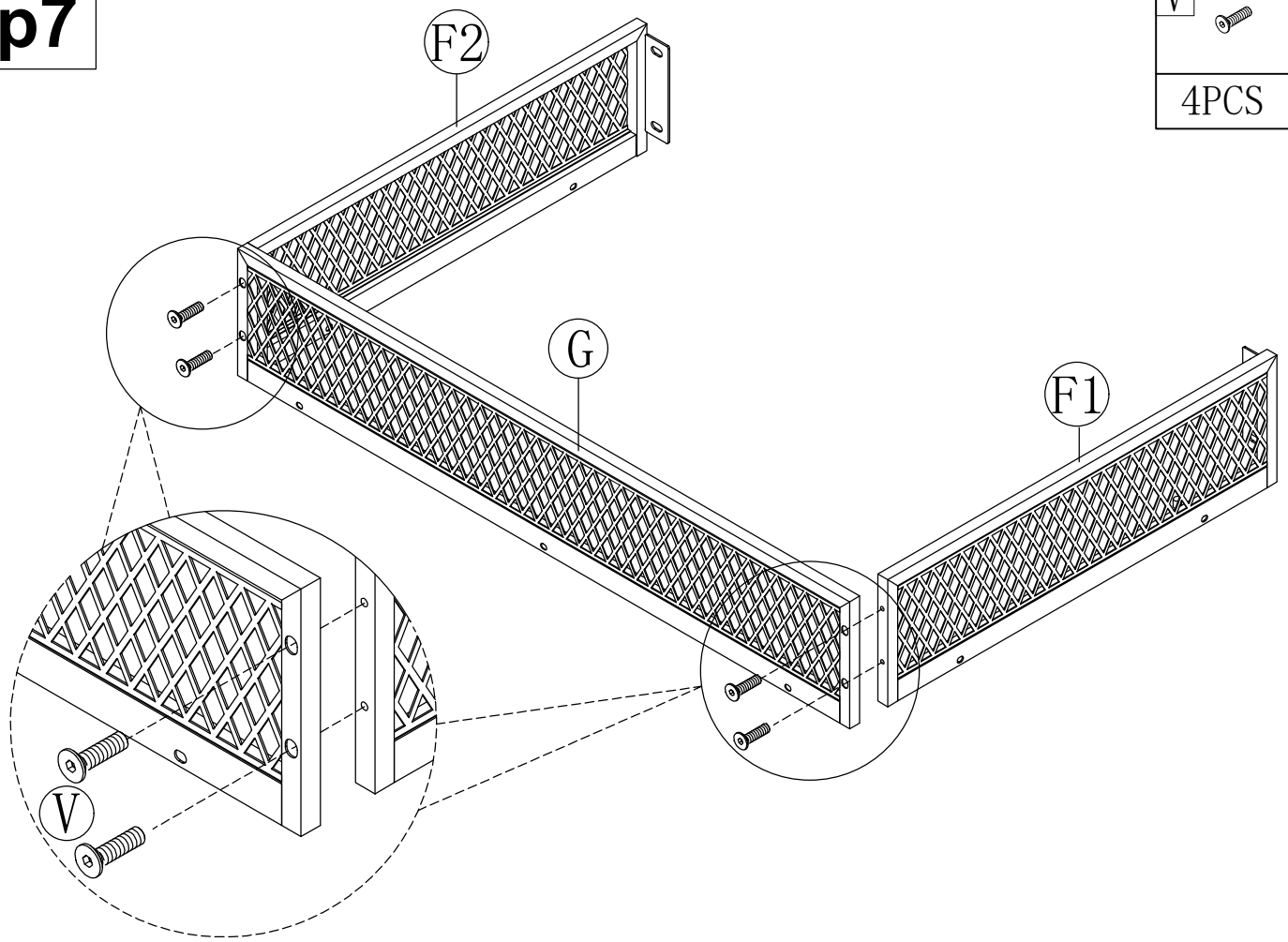
R		S		U	
3PCS		2PCS		4PCS	




step6



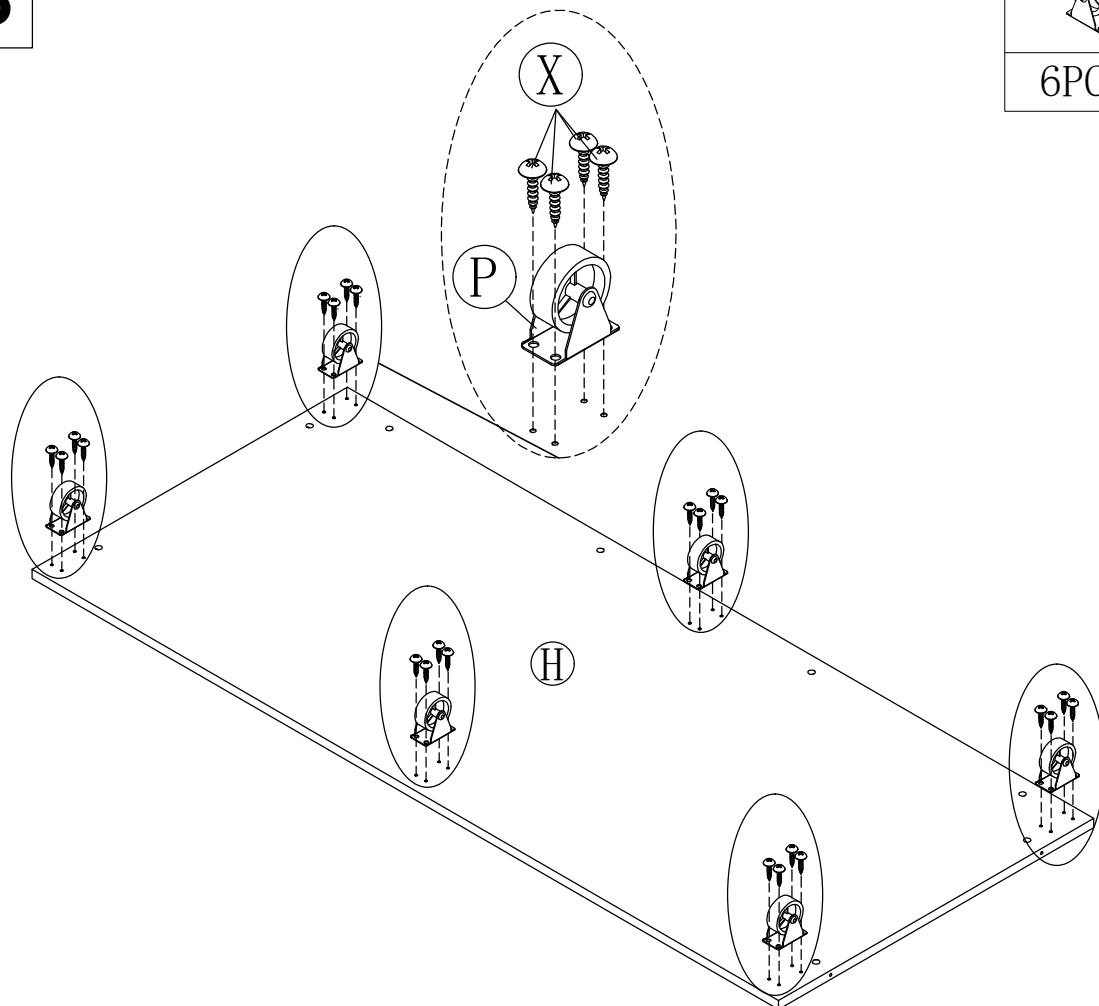
step7




V 


4PCS

step8



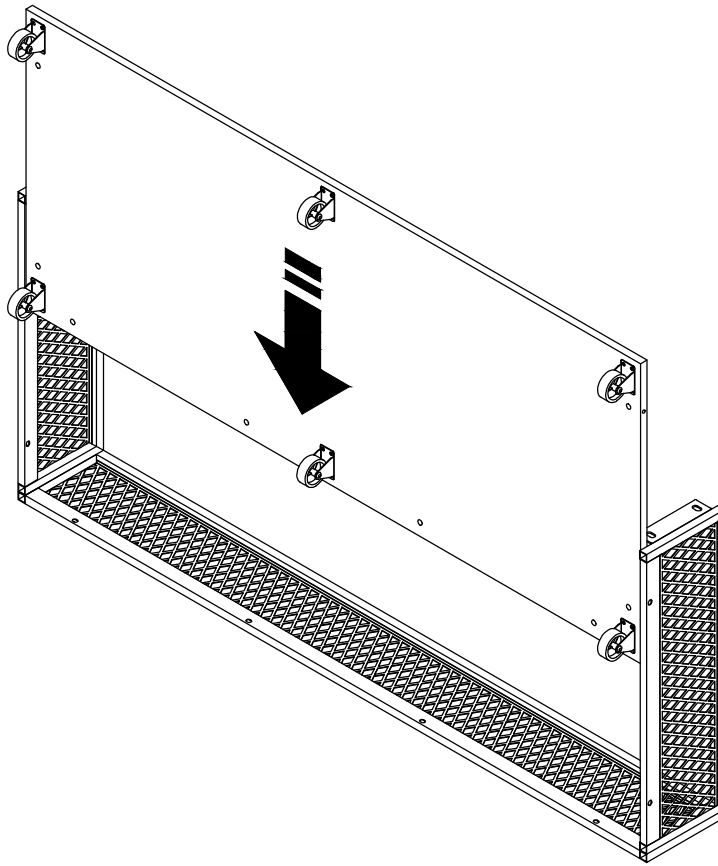
P 

6PCS

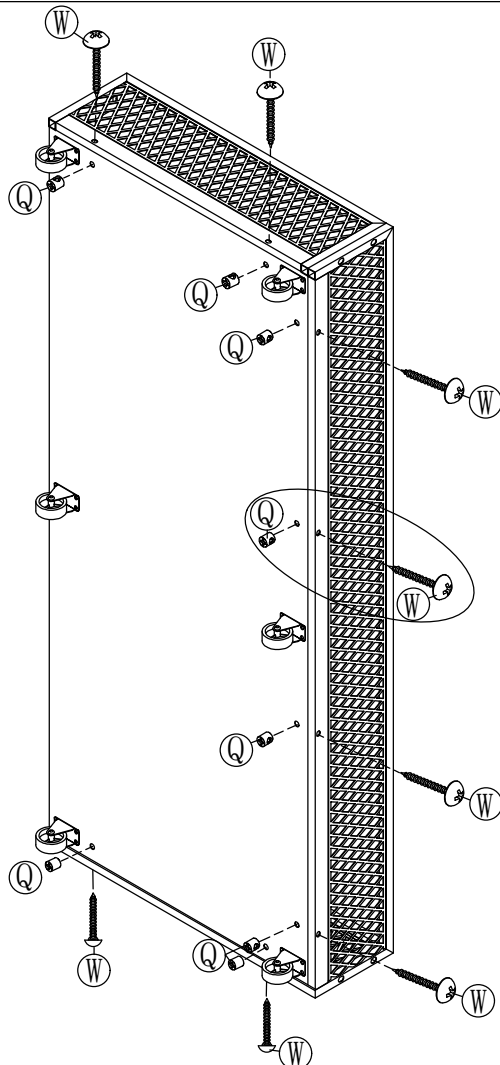
X 



24PCS

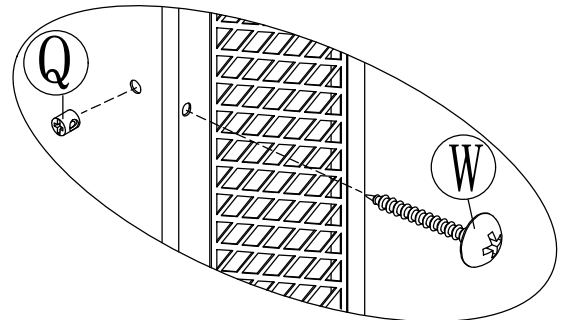
step9






step10

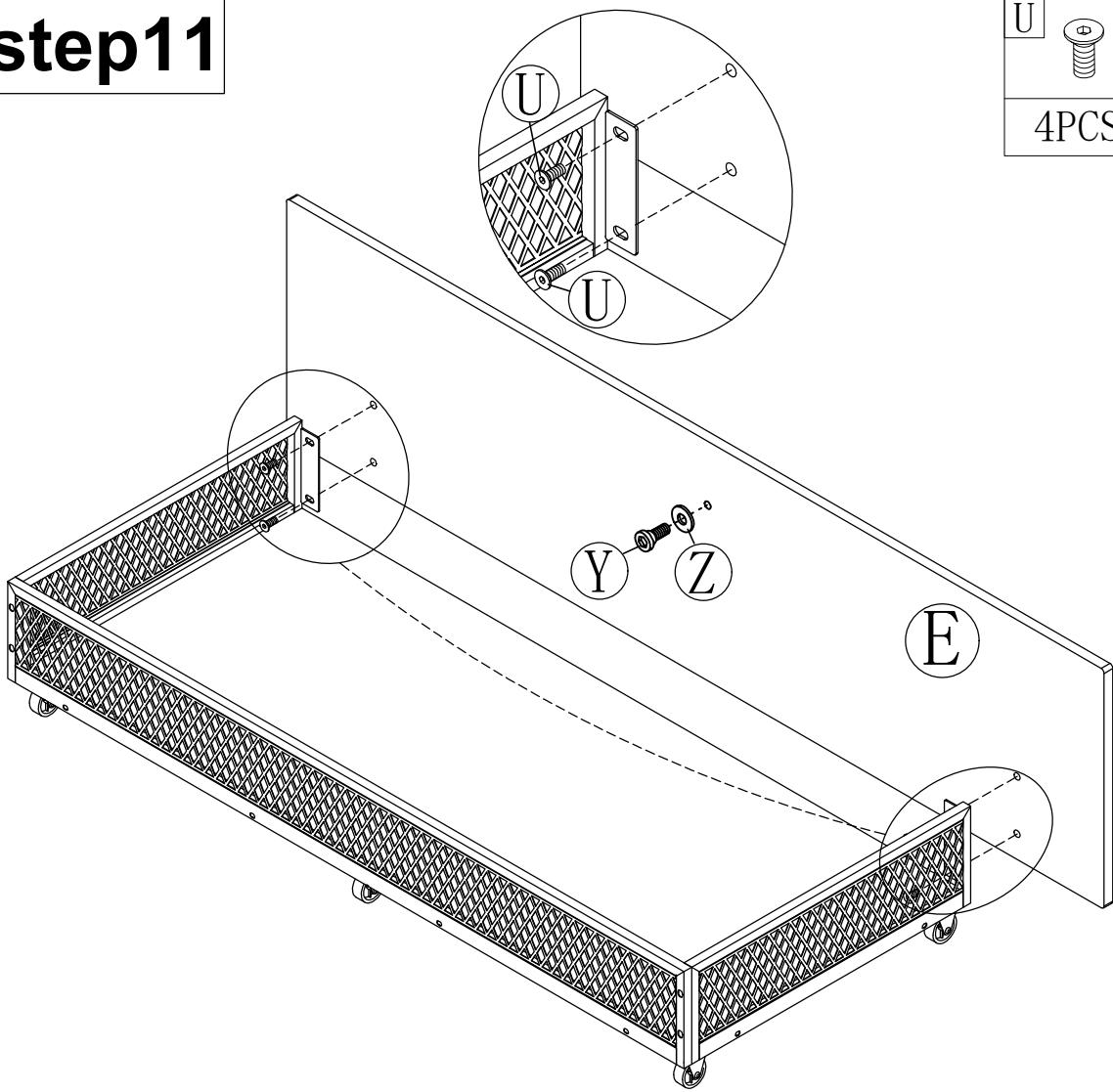


Q		W	
	8PCS		8PCS



step11

U		Y		Z	
	4PCS		1PC		1PC



step12

Lightly Lift Fanel, Hang on "Y"
To Matches "O" Hole

