

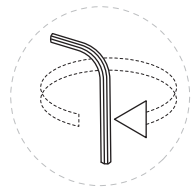
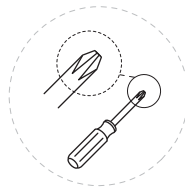
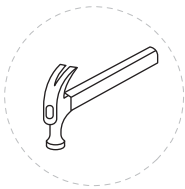
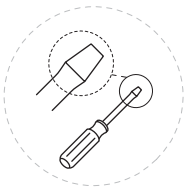
# USER'S MANUAL

## GARDEN BENCH

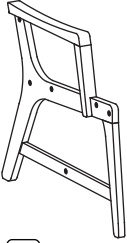


# Before You Start

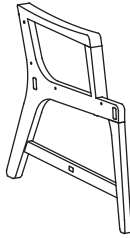
- ⚠ Read each step carefully before starting. It is very important to ensure each step followed in correct order, otherwise assembly difficulties may occur.
- ⚠ Most of board parts are labeled or stamped on the raw edges. Have a check to make sure all parts are included.
- ⚠ Work in a spacious area, preferably on a carpet close to where the unit will be used.
- ⚠ Keep the handtools close at hand. Do not use power tools to assemble your furniture. They may scratch or damage the parts.



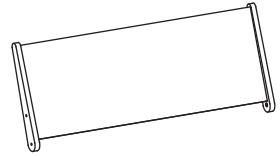
## Part List



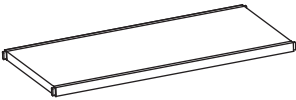
**1** x1pc  
Right Leg Frame



**2** x1pc  
Left Leg Frame



**3** x1pc  
Backrest



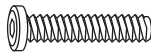
**4** x1pc  
Seat



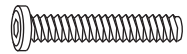
**5** x1pc  
Crossbar



M6x30mm Bolt  
**A** x2pcs



M6x40mm Bolt  
**B** x2pcs



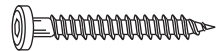
M6x45mm Bolt  
**C** x4pcs



M6x70mm Bolt  
**D** x4pcs



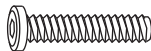
Cross Dowel  
**E** x4pcs



M6x60mm Screw  
**F** x2pcs

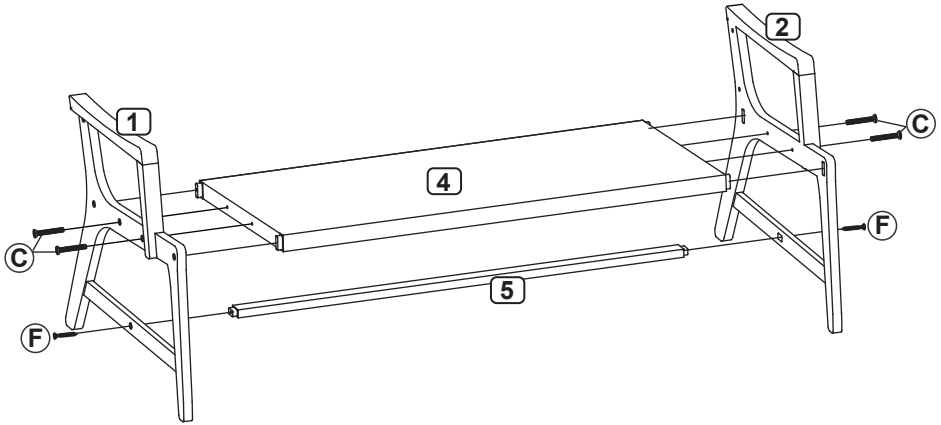
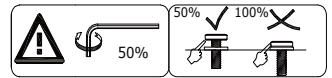


M4 Allen Key  
**G** x2pcs

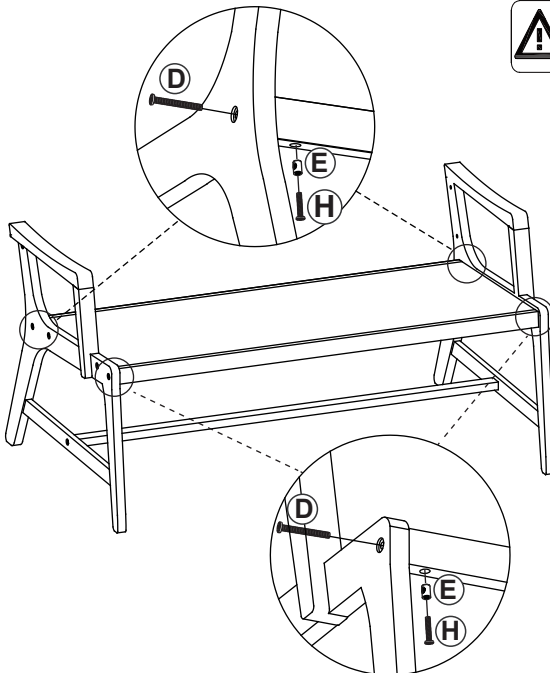
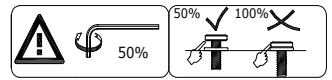


M6x40mm Tool  
**H** x1pc

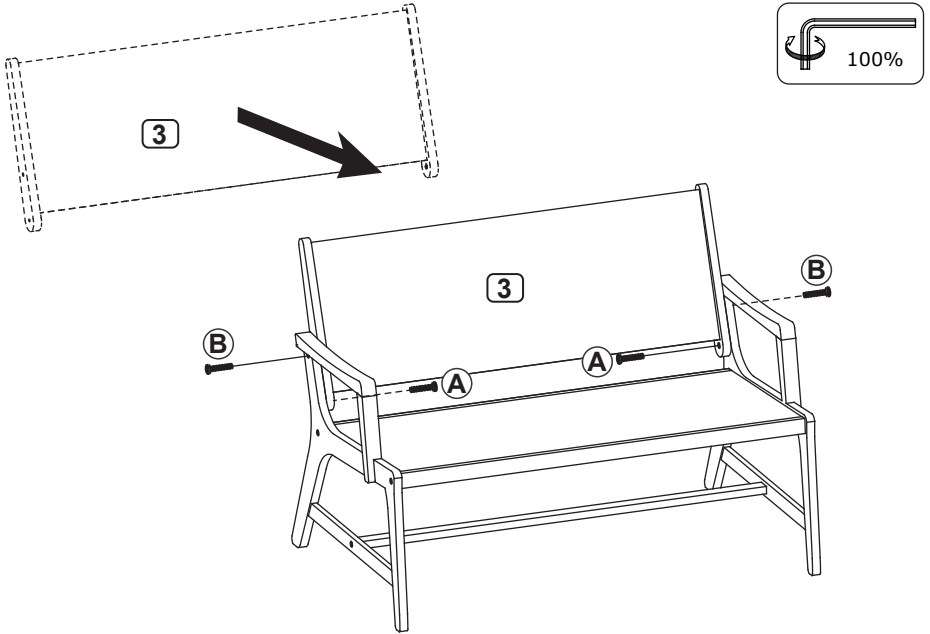
## STEP 1:



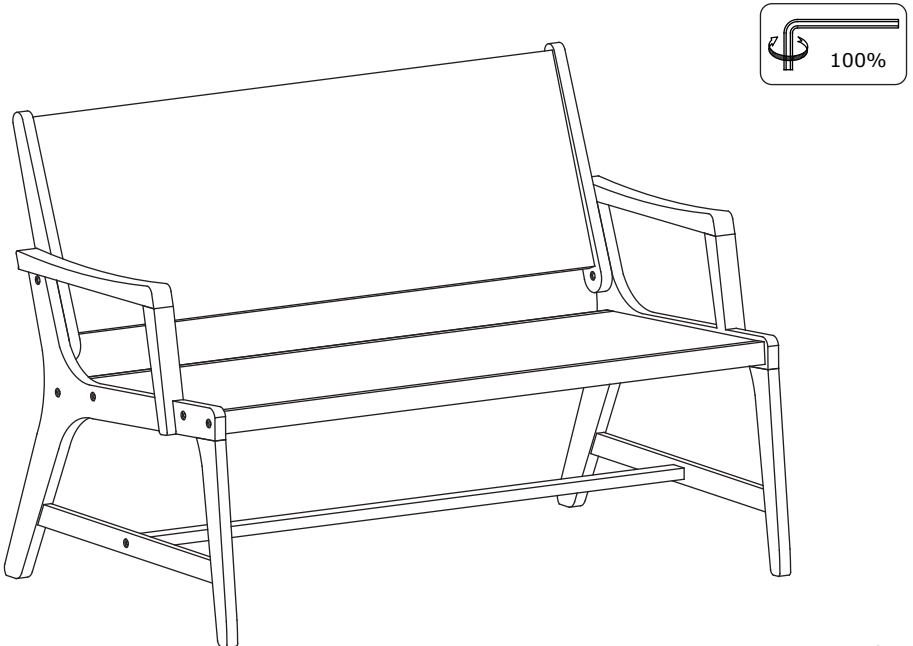
## STEP 2:



## STEP 3:



## STEP 4:



## **Care and Maintenance**

Use a soft, clean cloth that will not scratch the surface when dusting.

Use of furniture polish is not necessary.

Should you choose to use polish, test first in an inconspicuous area.

Using solvents of any kind on your furniture may damage the finish.

Never use water to clean your furniture as it may cause damage to the finish.

Liquid spills should be removed immediately. Using a soft clean cloth, blot the spill gently. Avoid rubbing.

Check bolts/screws periodically and tighten them if necessary.

## **Further advice about wood furniture care**

Please protect your outdoor furniture with a cover when not in use since

Long-term sunlight exposure will result in the damage on the surface.

In addition to sunlight damage, wood and metal frame suffers when exposed to extremes in temperature and humidity.

Proper care and cleaning at home will extend the life of your purchase.

Following these important and helpful tips will enhance your furniture as it ages.