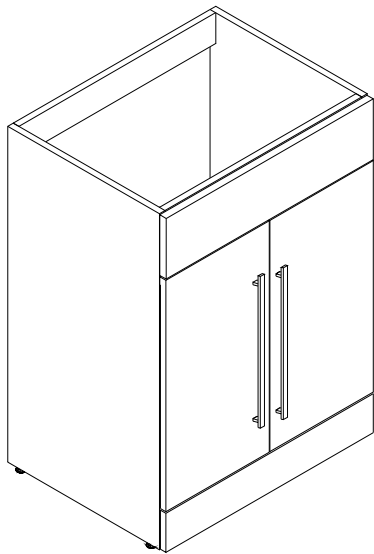




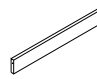

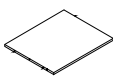

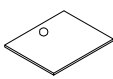


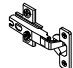
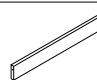





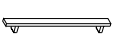


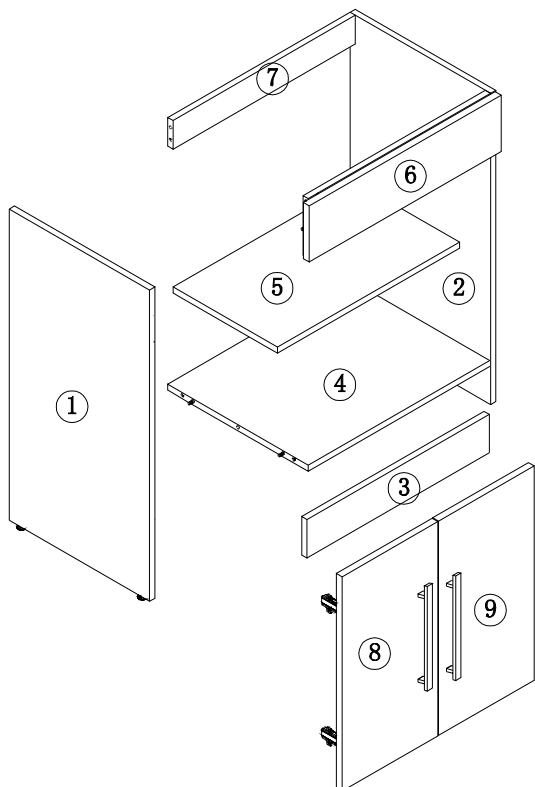
# DIMENSIONS



# PARTS LIST

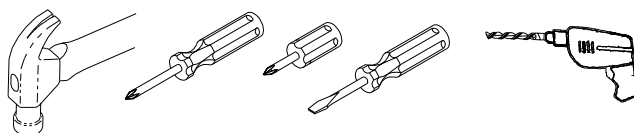
PARTS LIST			HARDWARE LIST		
NO	DESCRIPTION	QTY	NO	DESCRIPTION	QTY
①		1	A		18
②		1	B		18
③		1	C		18
④		1	D		8
⑤		1	E		4
⑥		2	F		4
⑦		1	G		4
⑧		1	H		24
⑨		1	I		4
			J		2

# ASSEMBLY DIAGRAM



CAUTION: Please confirm the parts list before installation

YOU MAY NEED (NOT SUPPLIED)



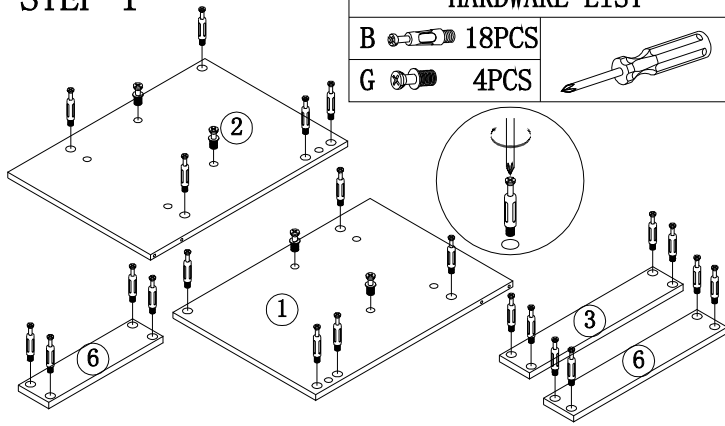
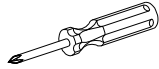
# INSTALLATIONS

## STEP 1

### HARDWARE LIST

B  18PCS

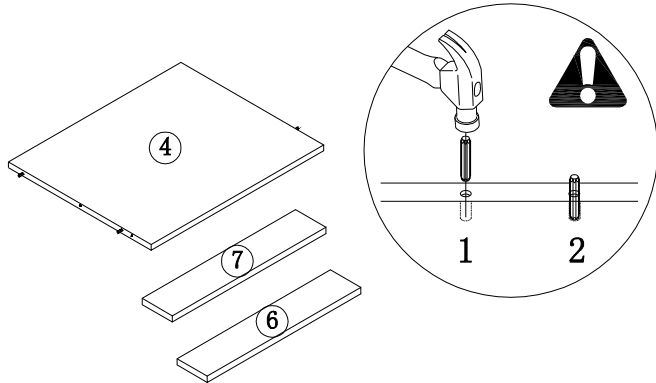
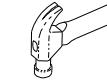
G  4PCS



## STEP 2

### HARDWARE LIST


D  8PCS

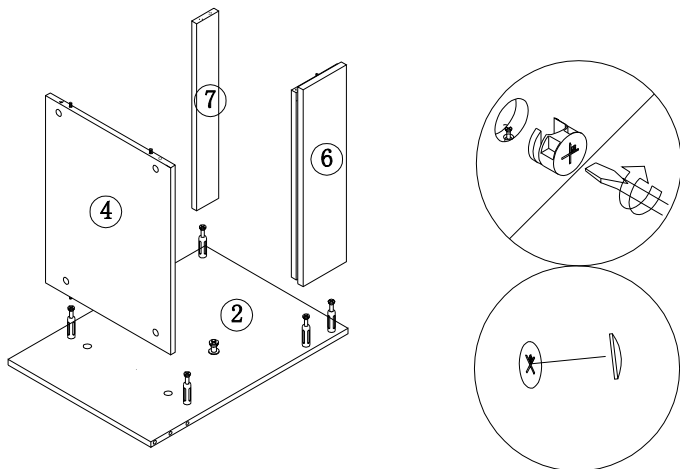
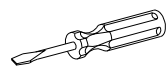


## STEP 3

### HARDWARE LIST

A  7PCS


C  7PCS

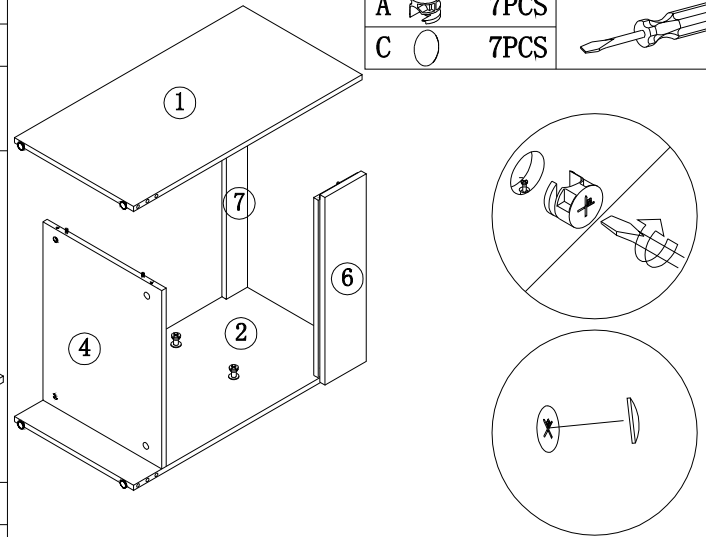
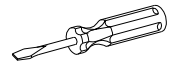


## STEP 4

### HARDWARE LIST

A  7PCS


C  7PCS

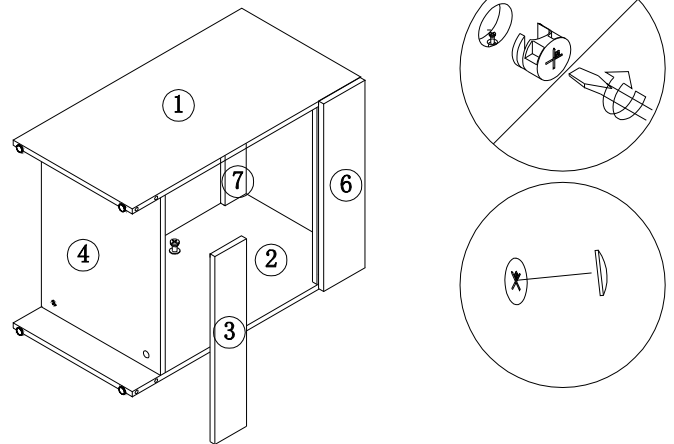
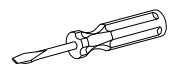


## STEP 5

### HARDWARE LIST

A  4PCS

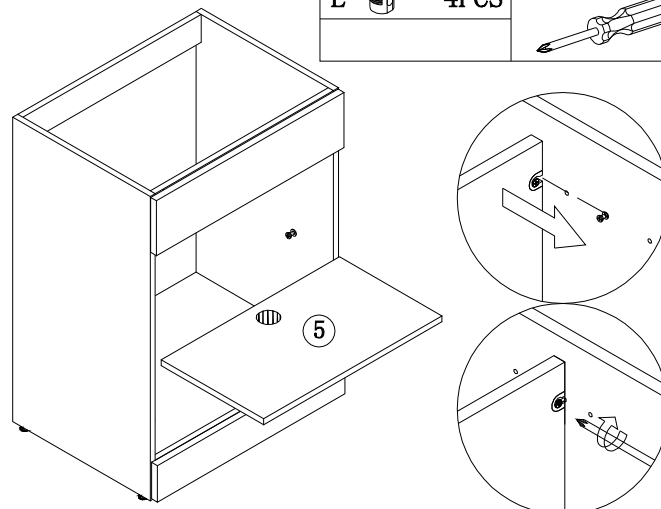
C  4PCS



## STEP 6





### HARDWARE LIST

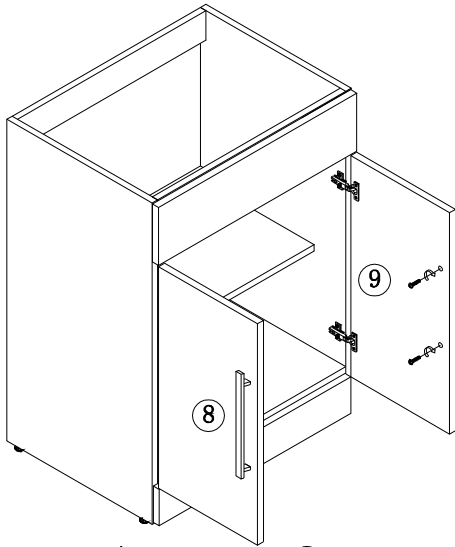
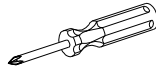
E  4PCS



**STEP 7**

**HARDWARE LIST**

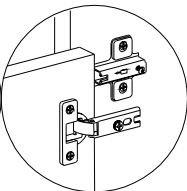
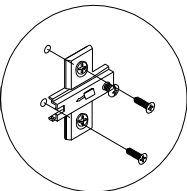
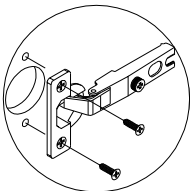
H		24PCS
J		2PCS
I		4PCS
F		4PCS



1

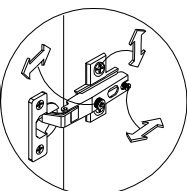
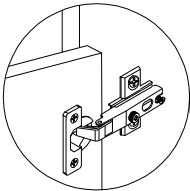
2

3

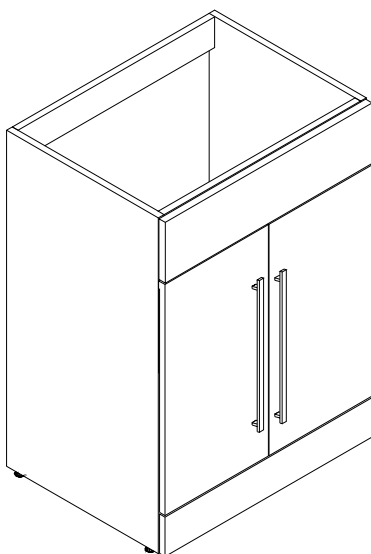


4

5



**STEP 8**



**Choking hazard-Small Parts :** This unit contains small parts, not for children under 3 years.

**Tip-over hazard :** Secure finished unit to wall stud using L-Bracket and wall screw (#10\*1.5"W/out provided). If a wall stud is not neccessible ,Consault your local hardware store for appropriate mounting hardware . Failure to properly install will result in product collapse or tip-over. Serious injury can occur .