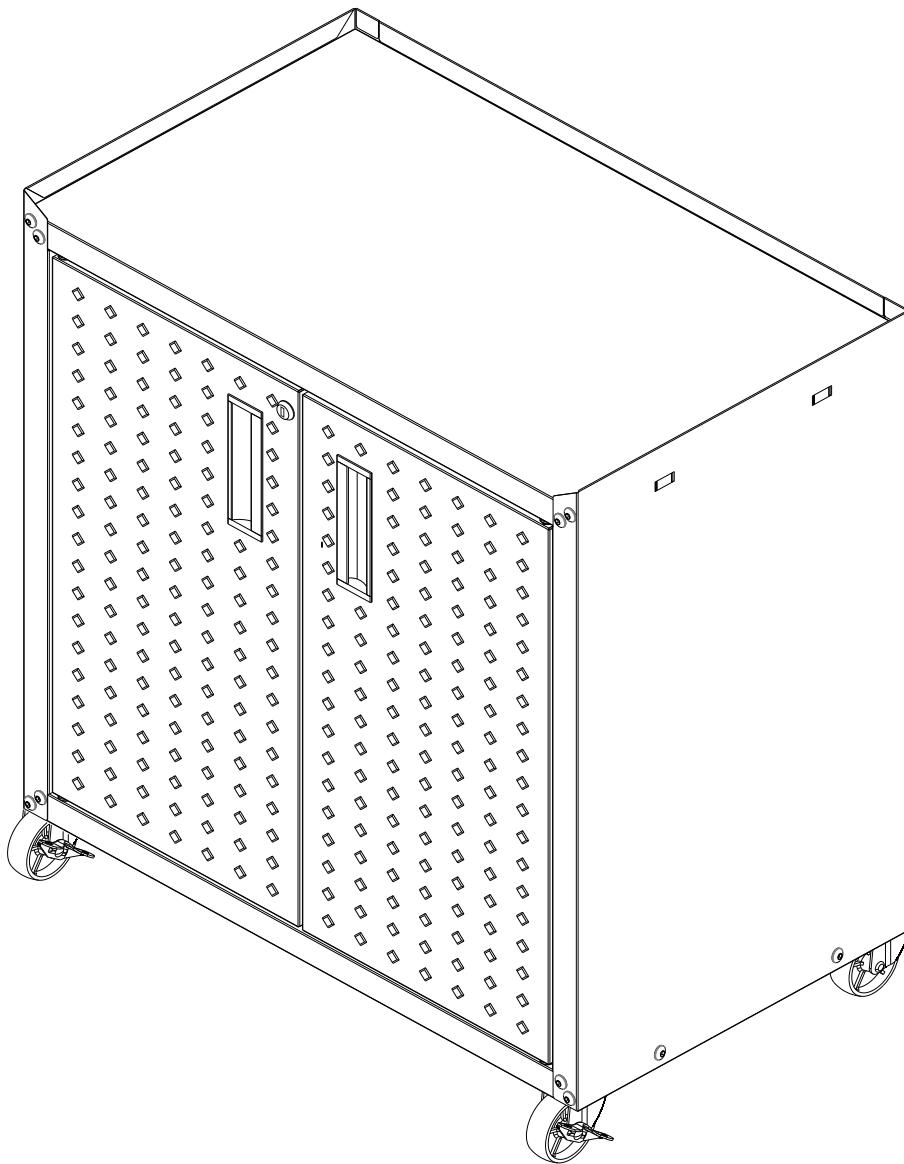
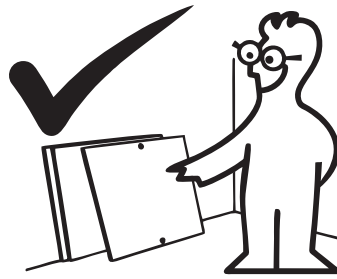
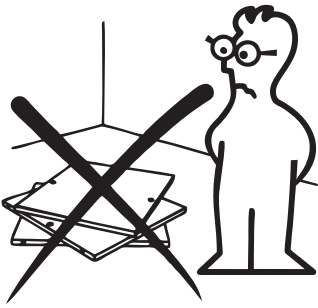


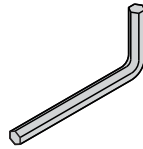
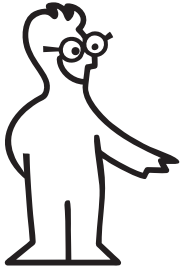
Assembly Guide



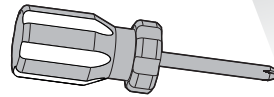


In order to ease the assembly, you should separate and identify the parts first

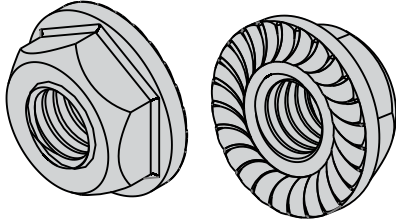
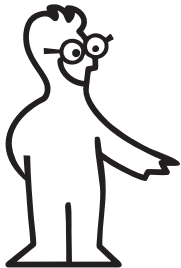
Necessary hardware for the assembly



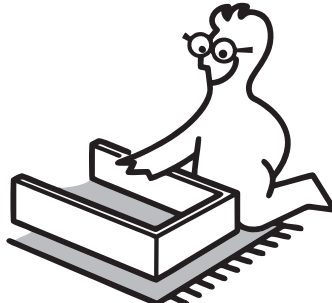
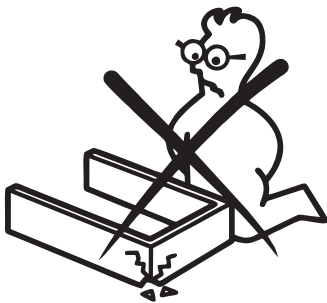
* Included in the kit



* Not included in the kit



Locking nut, no key tightening required.



Do not place the parts directly onto the floor. Use a cardboard sheet or a mat to place the parts, during the separation and assembly.

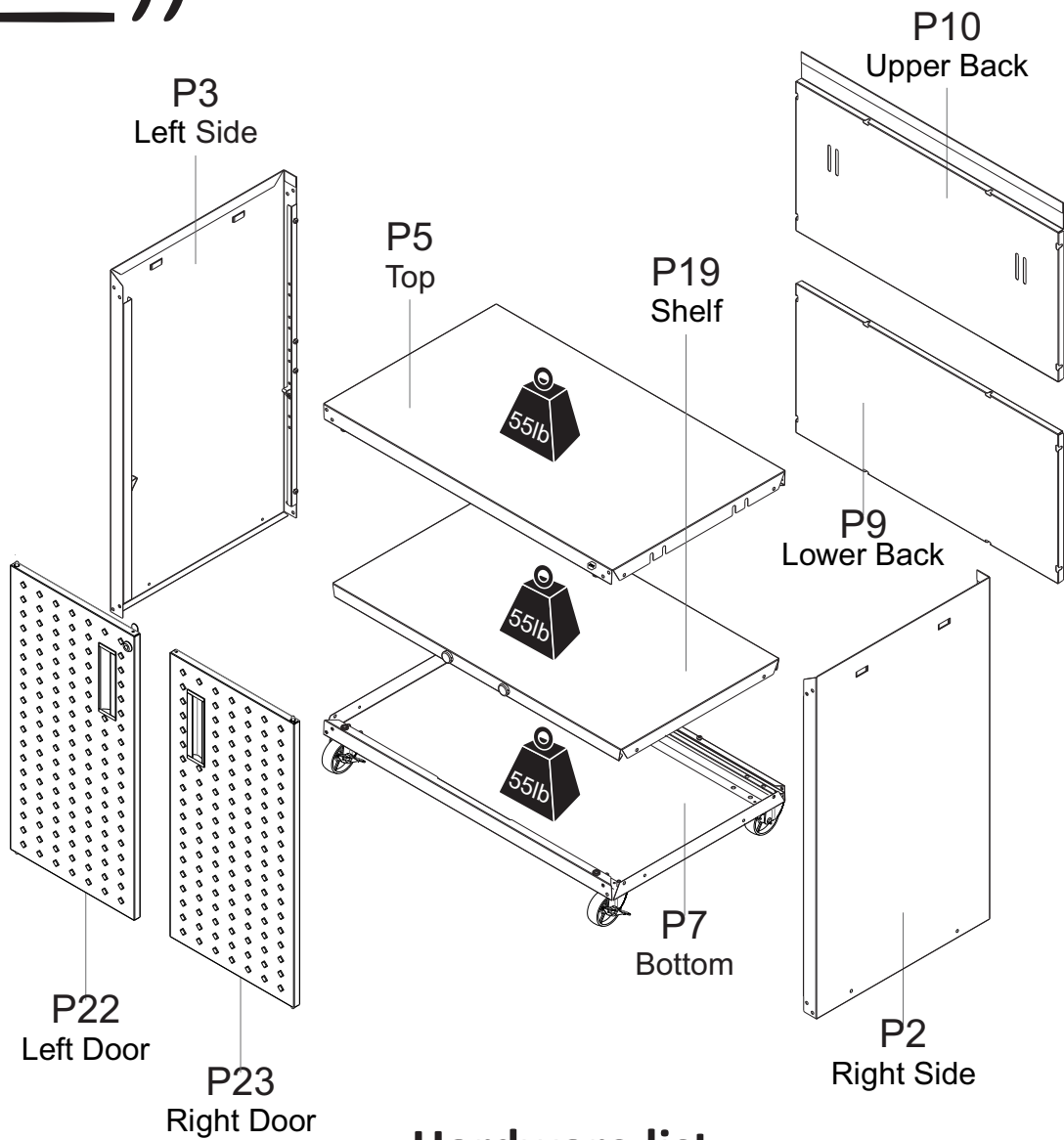


IMPORTANT

In order to avoid severe or even fatal injuries, follow the instructions carefully.

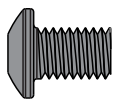


WARNING



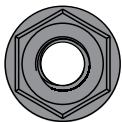
Hardware list

F1



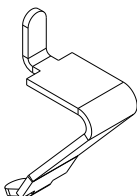
Qty. 36

F2



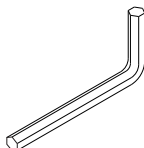
Qty. 36

F7



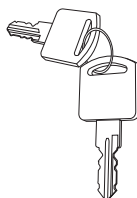
Qty. 4

F13



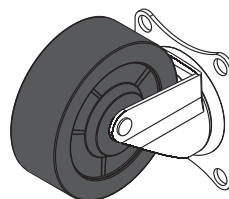
Qty. 1

F15



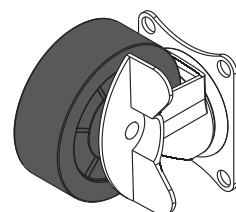
Qty. 1

F10



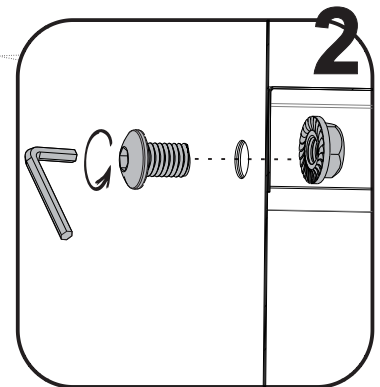
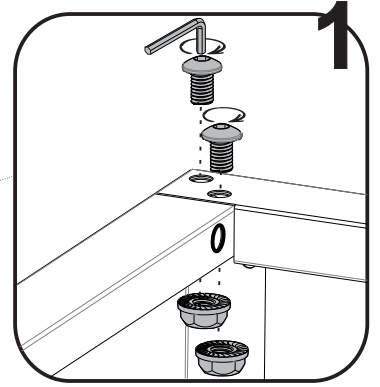
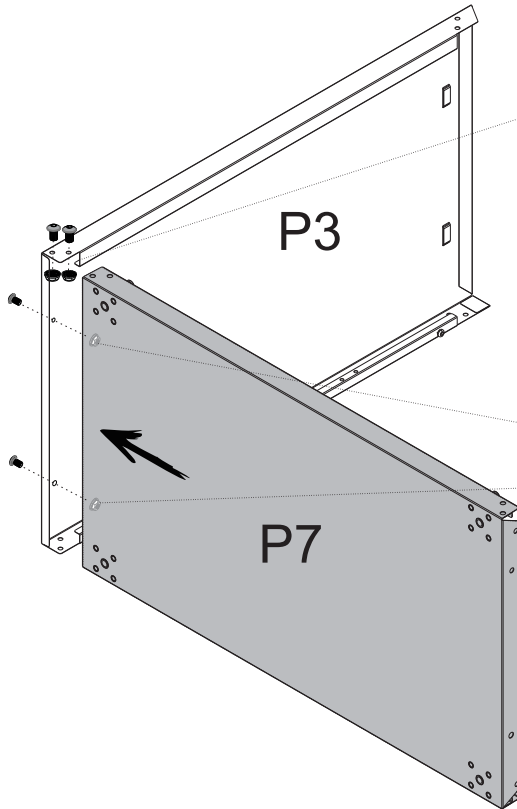
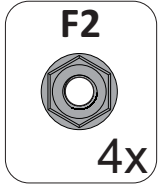
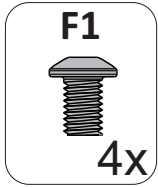
Qty. 2

F11



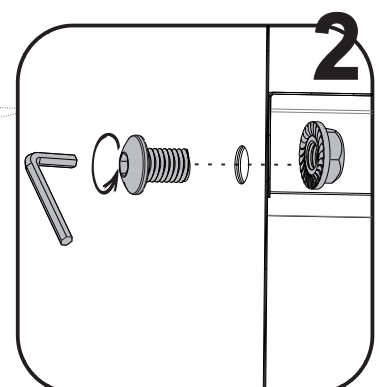
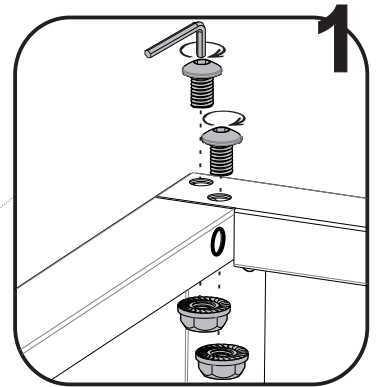
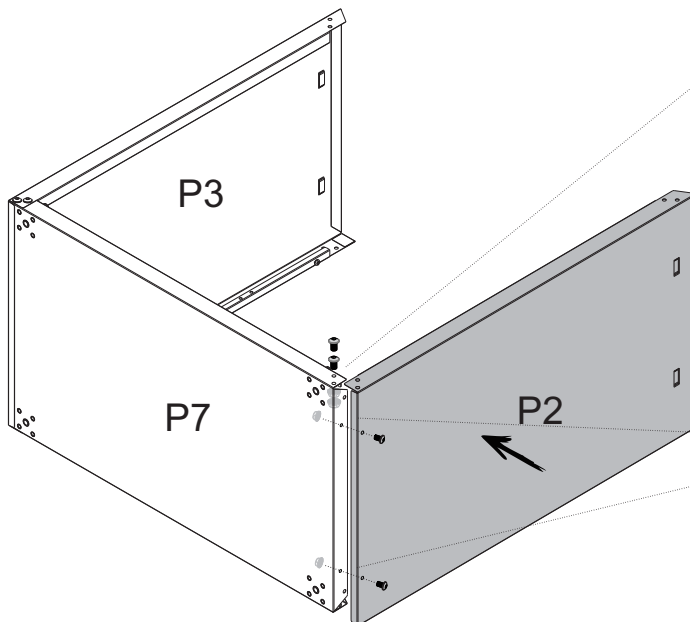
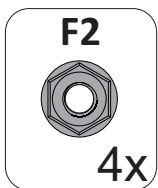
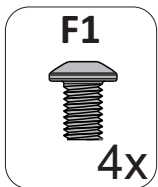
Qty. 2

- STEP 1** 1 - Fit part **P7** inside part **P3**.
 2 - Fit both parts in the frontal side, with **F1** and **F2**.



WARNING
 Do not tighten the screw completely.

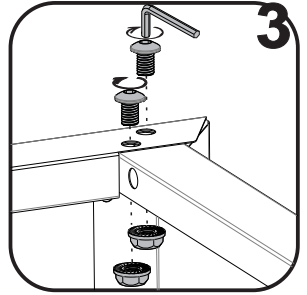
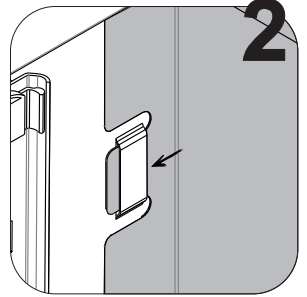
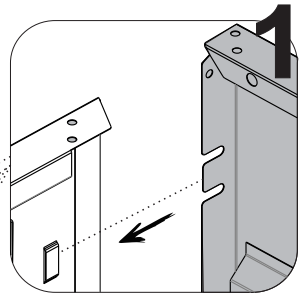
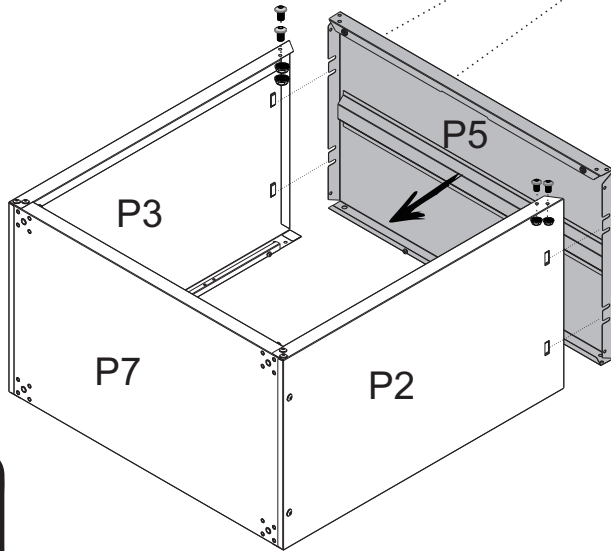
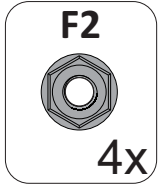
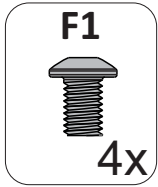
- STEP 2** 1 - Fit part **P2** inside part **P7**.
 2 - Fit both parts in the frontal side, with **F1** and **F2**.



WARNING
 Do not tighten the screw completely.

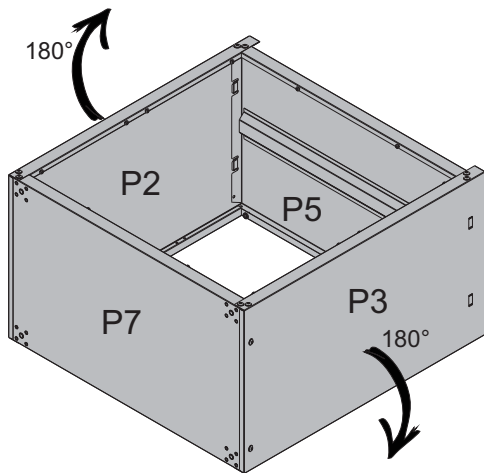
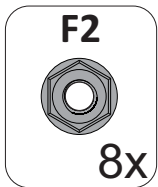
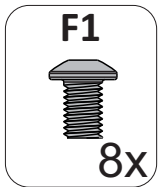
STEP 3

- 1 - Fit part **P5** between part **P2** and **P3**
- 2 - Check that all 4 tabs have been fitted
- 3 - Fit part **P5** to parts **P2** and **P3**, at the frontal side, with **F1** and **F2**.

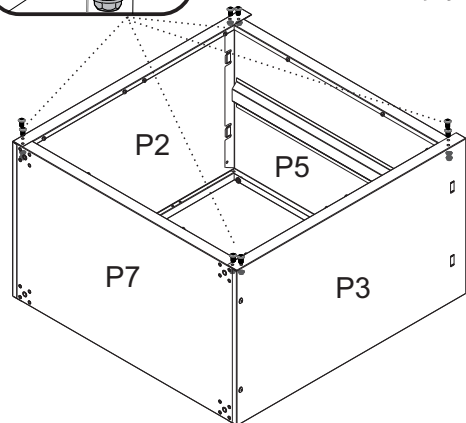


STEP 4

- 1 - Turn the cabinet with the back side upwards.



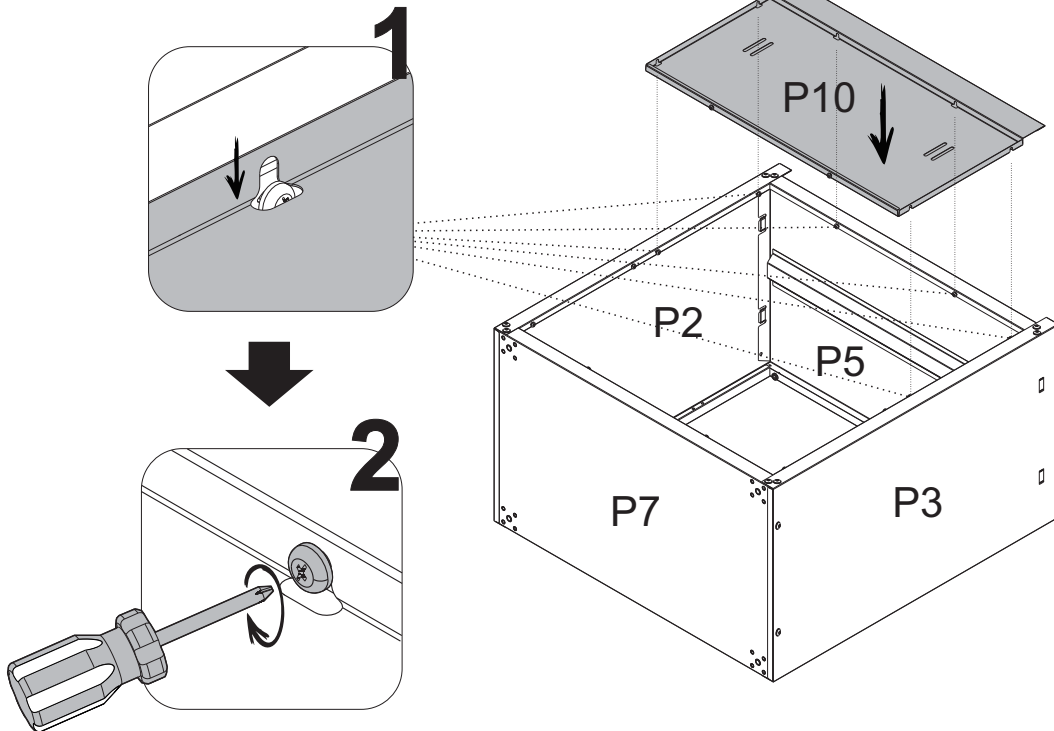
- 2 - Fit parts **P2** and **P3** to parts **P5** and **P7** with **F1** and **F2**.



Check that all parts are correctly supported to ensure product alignment.

STEP 5

- 1 - Fit part **P10** into parts **P2**, **P3** and **P5**
Check that all fits are supported over the bolts.
- 2 - After fitting the parts, screw the bolts until locked.

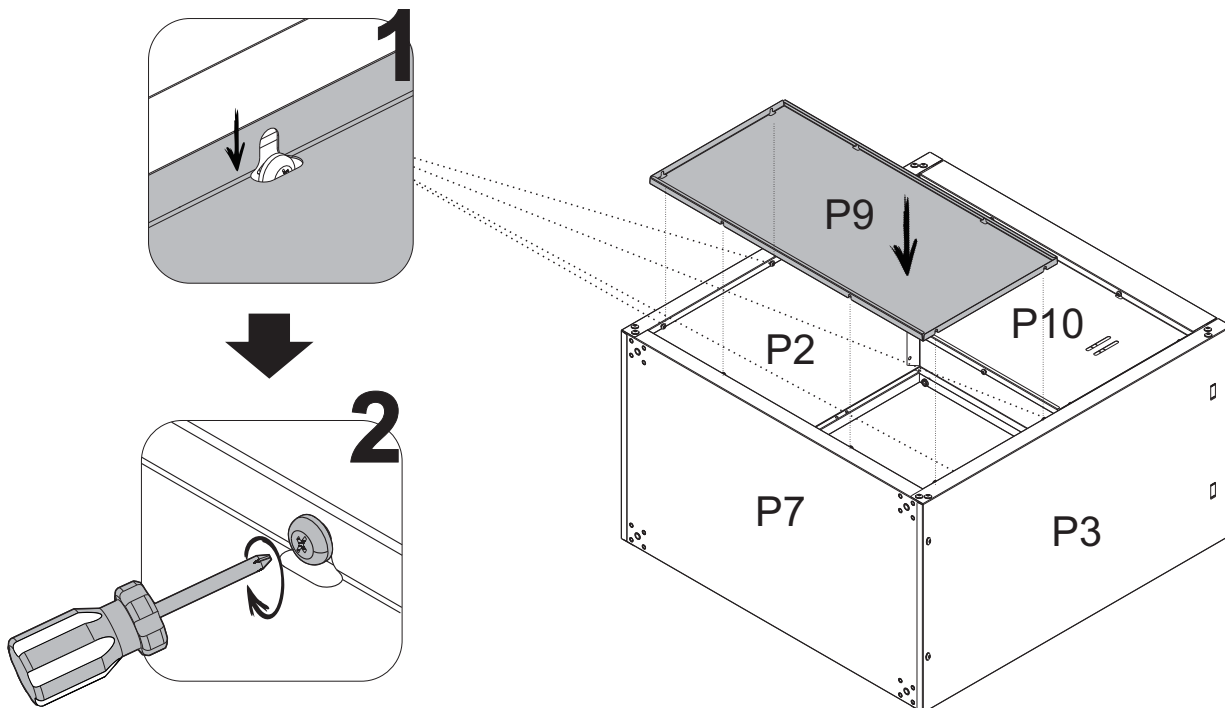


WARNING

“ Position part P10 on the P5 side for mounting the ”

“ Do not tighten the screw completely. ”

-
- ## STEP 6
- 1 - Fit part **P9** into parts **P2**, **P3** and **P7**
Check that all fits are supported over the bolts.
 - 2 - After fitting the parts, screw the bolts until locked.

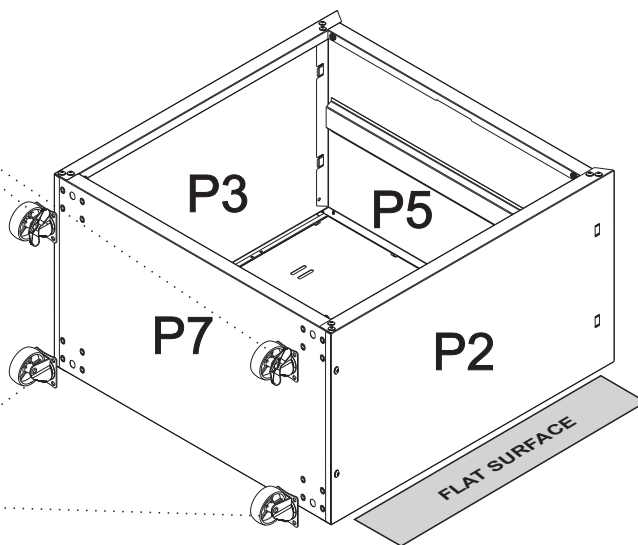
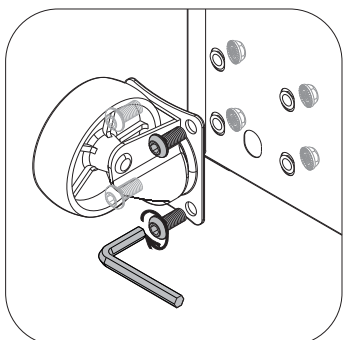
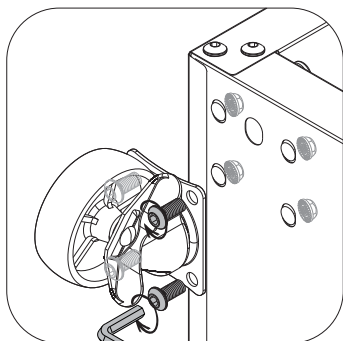
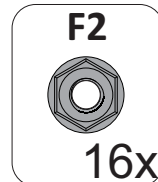
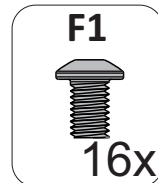
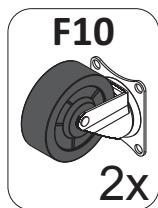


STEP 7

- 1 - Put the cabinet a flat surface.
- 2 - Completely tighten all screws.

- 3 - To assembly the cabinet with caster, align the **F10** and **F11** to the holes in part **P7** and fix them with **F1** and **F2**.

- 4 - **WARNING:** Casters with lock (**F11**) must be fitted in the frontal side of the cabinet



“

After tightening the screws, make sure the cabinet does not appear to be misaligned.

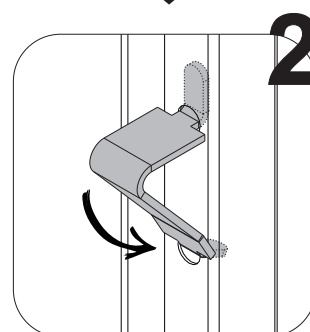
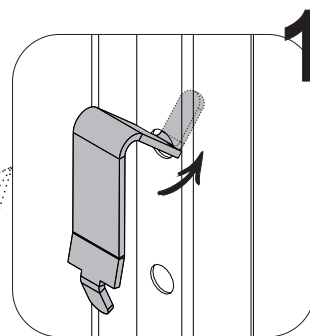
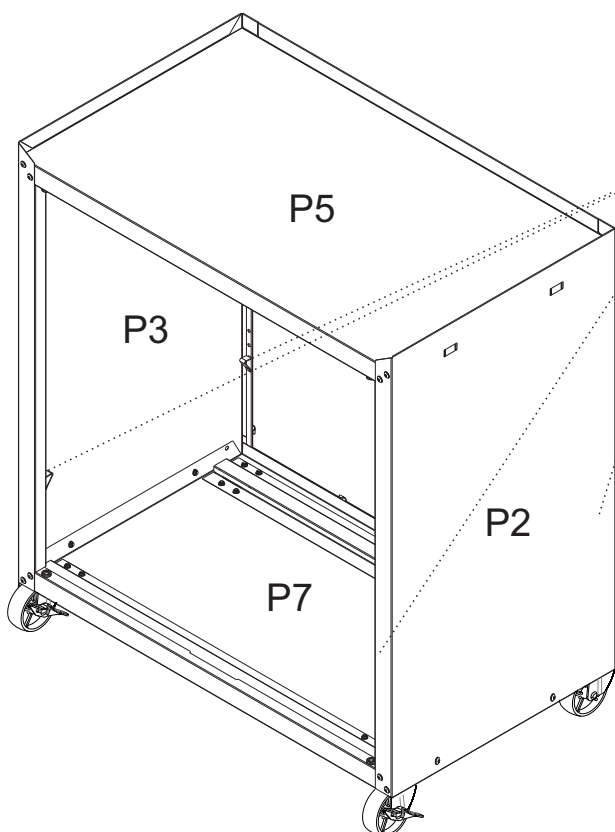
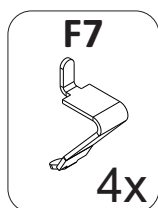
”



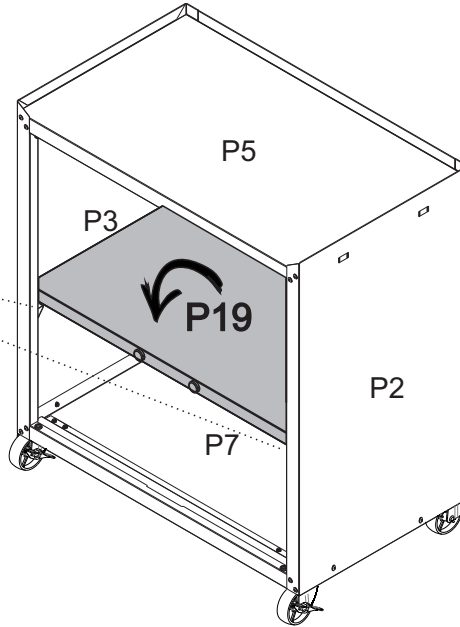
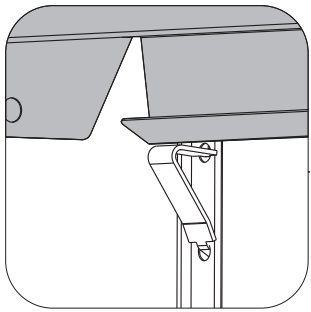
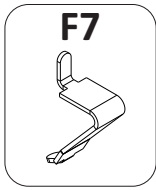
WARNING

STEP 8

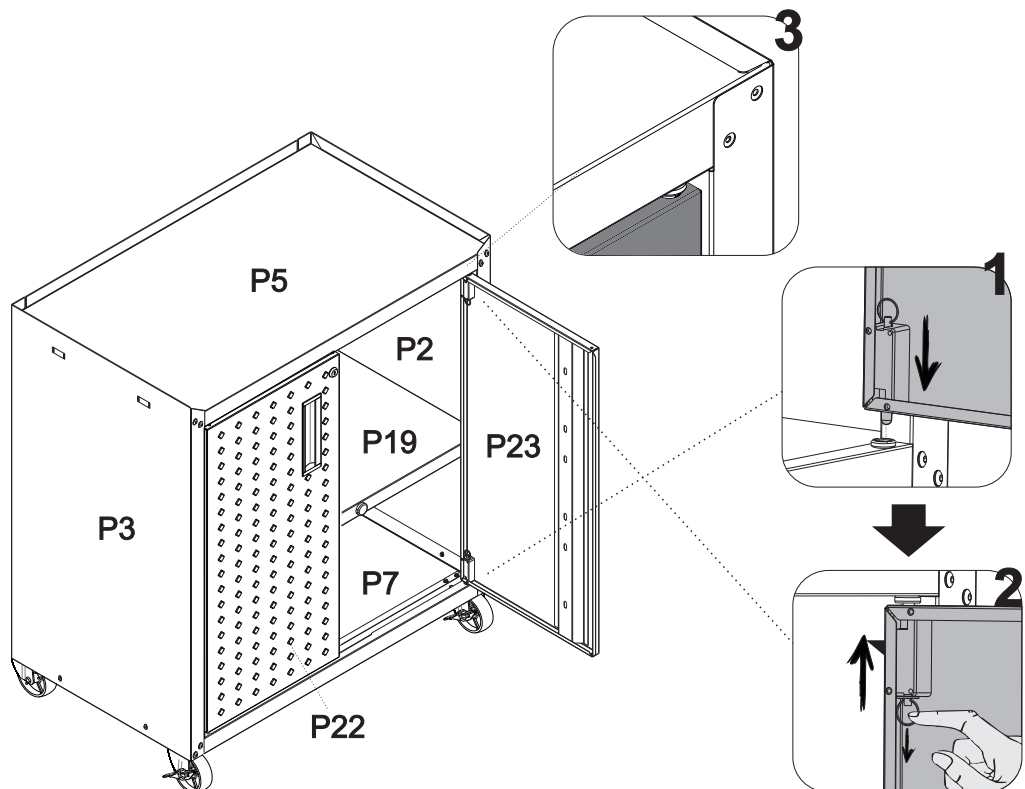
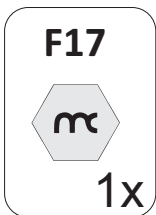
- 1- Turn the cupboard so that it will stand in the position of use.
- 2- Fix **F7** to parts **P2** and **P3**, as shown here below.



- STEP 9**
- 1 - Fit the lower part **P19** in diagonal position to insert it inside the cupboard
 - 2 - Lean part **P19** in part **P2**, **P3** and place it over the **F7** detailed in the figure here below
 - 3 - Lower the other side of part **P19**, leaning it over the left **F7**



- STEP 10**
- 1 - To assembly the doors, fit door **P23** lower hinge bolt inside the bushing fixed in part **P7**. Then, pull down the pin of door **P23** upper hinge; align the door and release the pin to fit the bushing fixed in part **P5**
 - 2 - Repeat the step for part **P22**
 - 3 - Insert product logo



WARRANTS TERMS

This product has the guarantee for a period of twelve (12) months, this limited warranty is effective from the date of the original consumer purchase. Proof of original purchase date is required to obtain service or replacement under this limited warranty. Once the defect of manufacture has been verified, the consumer should contact the store where he purchased the product. In the warranty period, any defective parts will be replaced free of charge by another of the same line and model. The installation and assembly in the residence of the customer is not the responsibility of the factory or the store. The assembly must correctly follow the instructions inside the packaging of each module.

ITEMS EXCLUDED FROM WARRANTIES

This limited warranty does not cover:

1. In-home service including, but not limited to, service calls to correct the installation of any Manhattan Comfort Fortress Garage products or to instruct the consumer on how to use or install them.
2. Damage resulting from improper handling or shipping of products, or products damaged by accident, alteration, misuse, abuse, fire, flood, improper installation, acts of God, neglect, corrosion, modification or mishandling.
3. All travel, transportation, shipping or freight fees to deliver replacement products or to return defective products.
4. Factory specified replacement parts or product replacement when your product is used in other than normal, single-family household use, such as a commercial environment or handled in a manner contrary to published user or operator instructions and/or installation instructions.
5. Aesthetic damages including scratches, dings, dents or cracks that do not affect the structural or functional capability of the product.
6. Any labor costs during the limited warranty period.
7. Damage resulting from improper loading beyond the specified maximum weight capacity outlined in the assembly instructions provided with the product including overloading of hooks, baskets, shelves, cabinets, and other Manhattan Comfort Fortress Garage accessories used with the product.
8. Surfaces damaged due to chemical interaction resulting in corrosion of paint or metal.
9. Replacement keys or locking mechanism.

The cost of repair or replacement under these excluded circumstances shall be borne by the customer.

DISCLAIMER OF IMPLIED WARRANTY

Implied warranties, including any implied warranty of merchantability or implied warranty of fitness for a particular purpose, are limited to one year or shortest period allowed by law.

LIMITATION OF REMEDIES; EXCLUSION OF INCIDENTAL AND CONSEQUENTIAL DAMAGES

Your sole and exclusive remedy under this limited warranty shall be product repair as provided herein. Manhattan Comfort Fortress Garage shall not be liable for incidental or consequential damages.

TAKING GOOD CARE OF YOUR CABINET

Cleaning and caring instructions:

Avoid dragging objects on top of the cabinet. They might scratch the finishing.

Only non-abrasive natural chemical products are recommended to clean your cabinet. Simply wipe the cabinet down with a wet cloth to remove the cleaning product excess.

Never clean the cabinet with scouring powders, steel scrubber pads or any other product which can scratch its surface.

Chemical products are not recommended.

Cabinet surfaces should not be covered with colored plastic or paper sheets.

Acid substances must remain properly stored in sealed containers.

Avoid the direct contact of water with other surfaces, as the humidity can affect the durability of the cabinets.

Avoid cabinets exposure to direct Sun light. Drapers suggested.

This guidance should be saved for future reference, if necessary.